

KEY-ECLIPSE



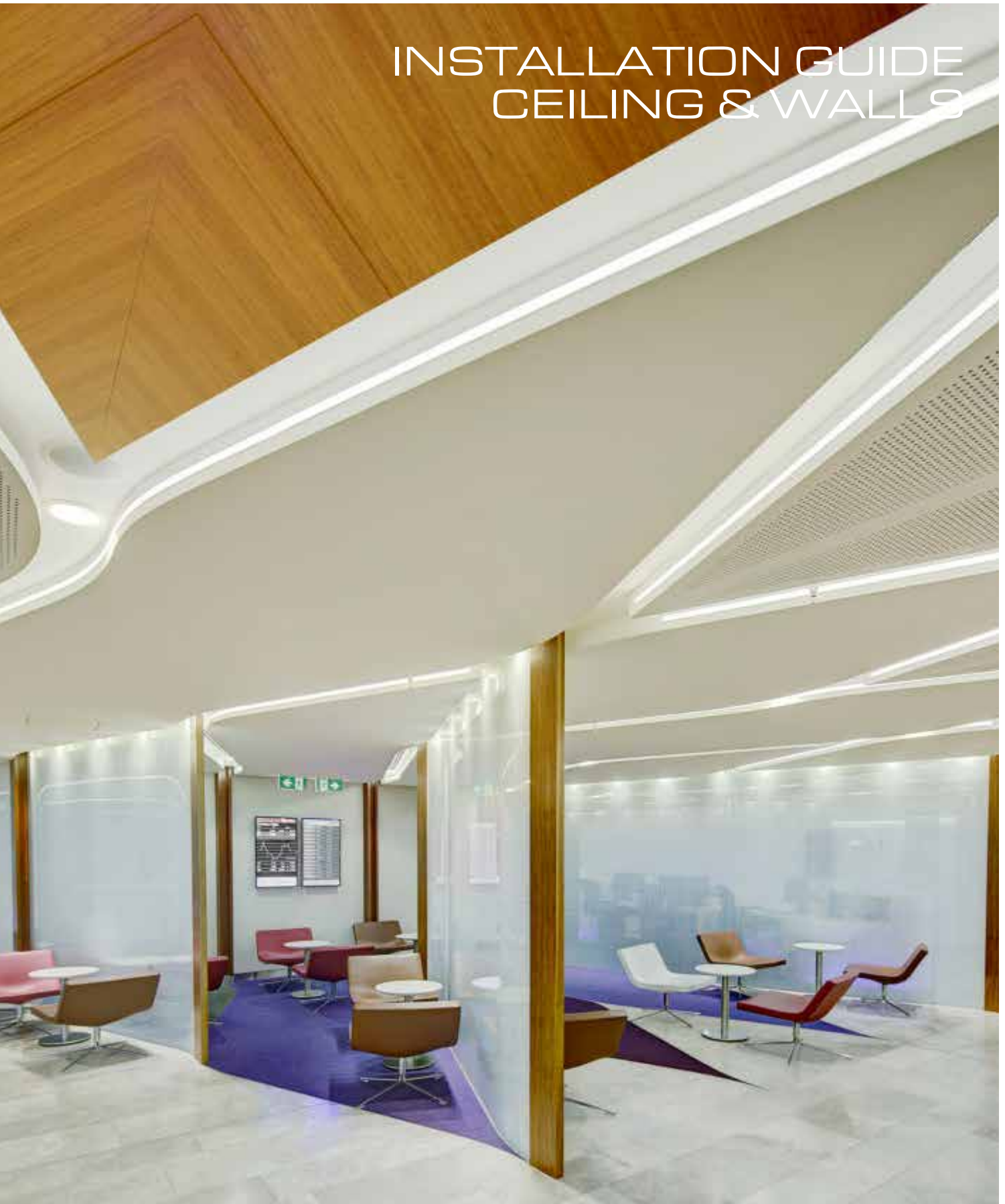
KEYSTONE
LININGS & ACOUSTICS

A graphic element consisting of a grid of blue dots of varying sizes, arranged in a pattern that suggests a circular or semi-circular shape, positioned to the right of the company name.

We bring Architects Imagination to Life

www.KeystoneLinings.com.au

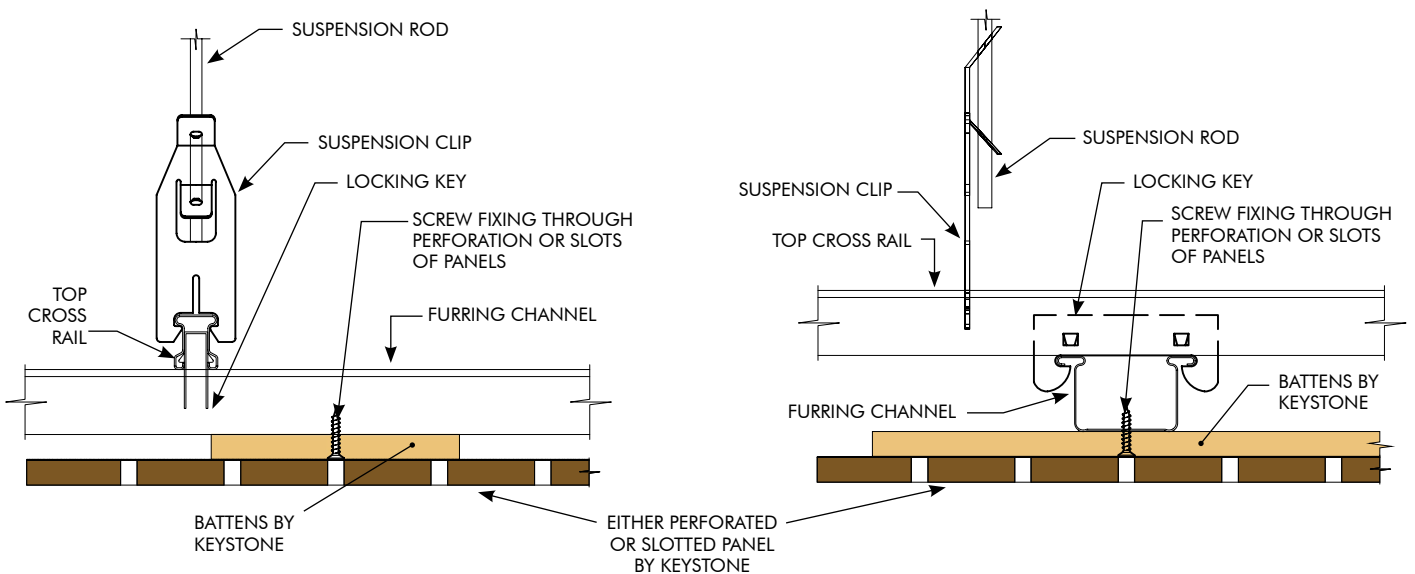
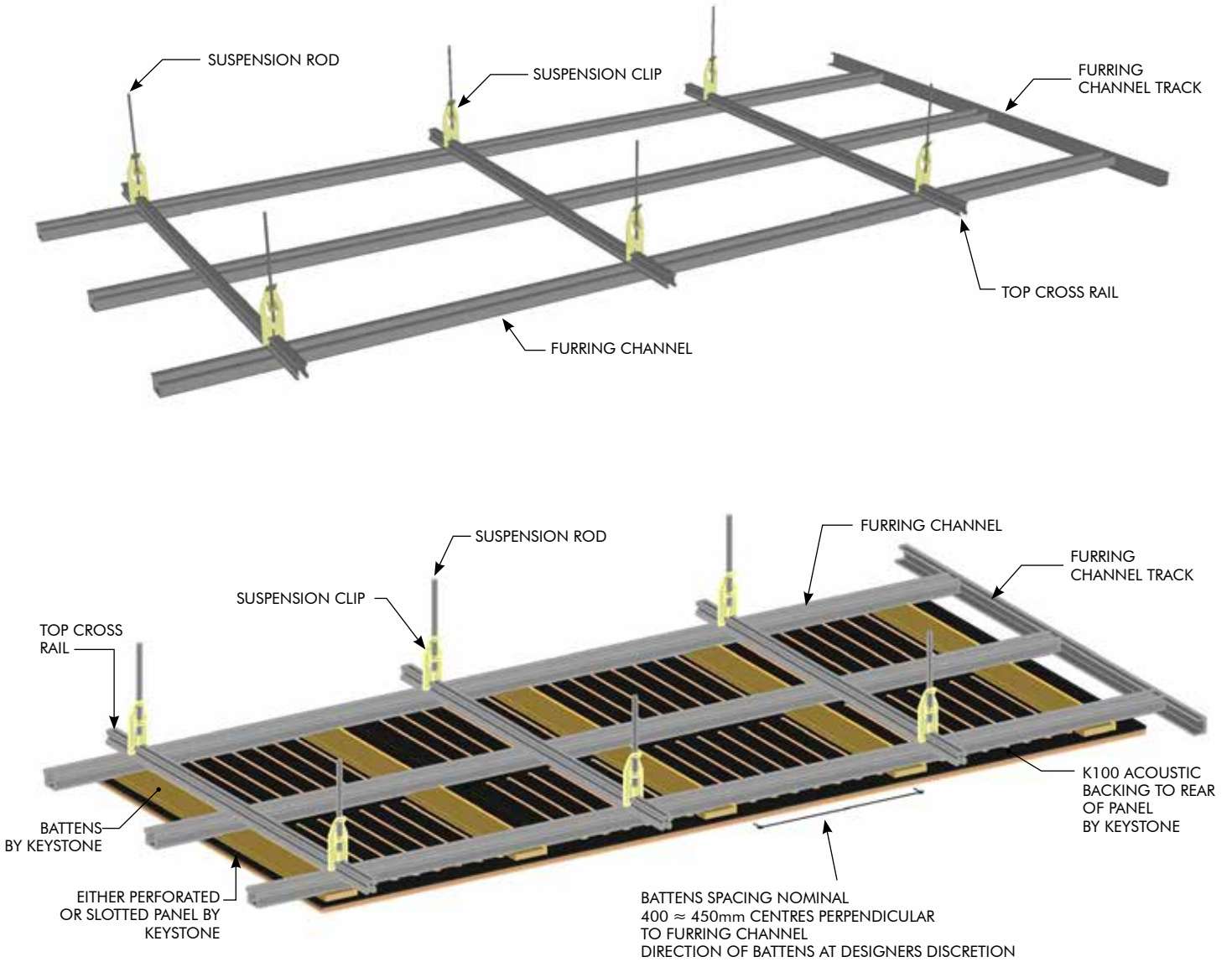
INSTALLATION GUIDE CEILING & WALLS

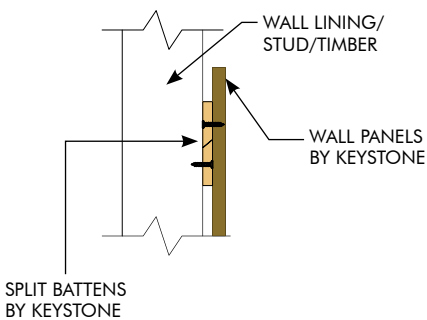
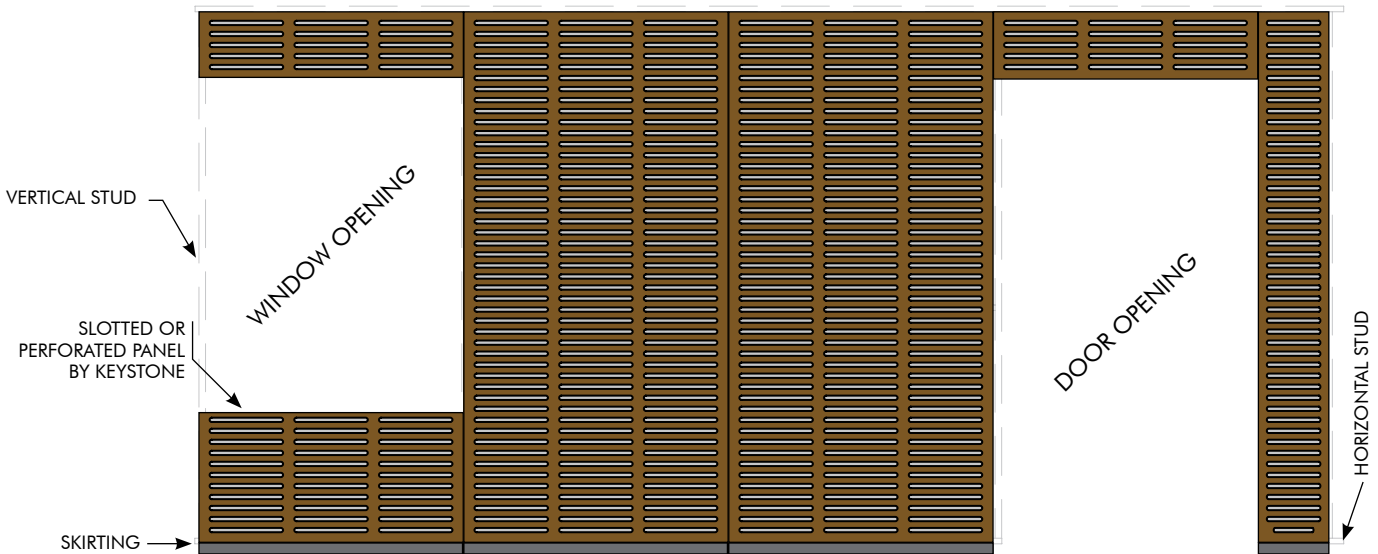
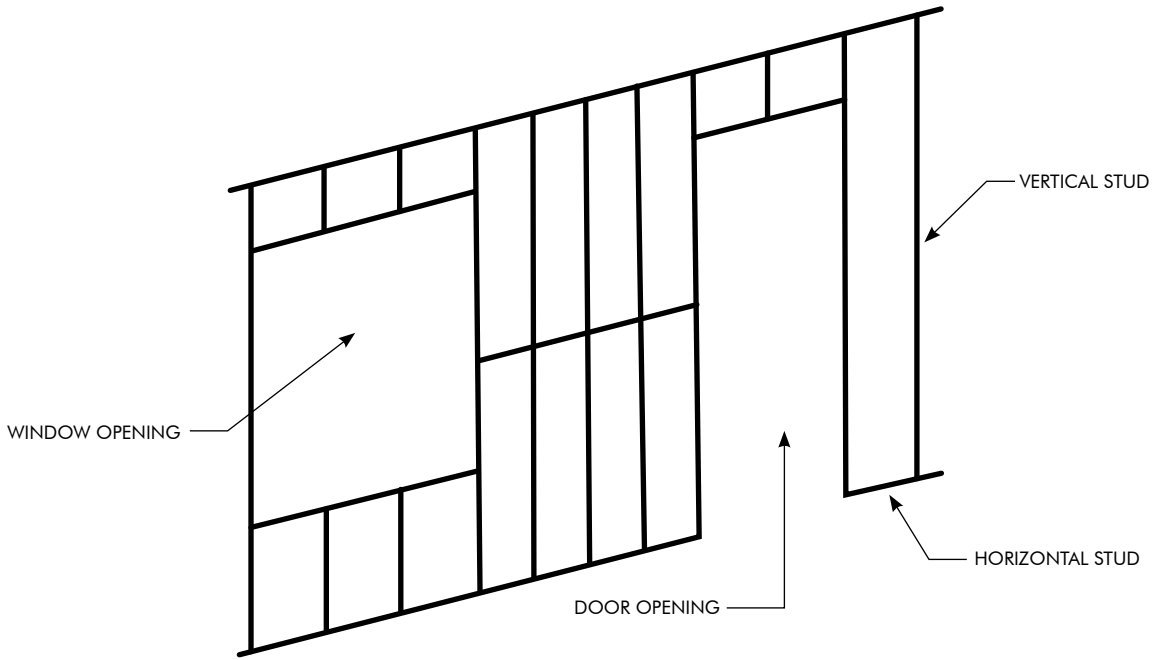


Virgin Lounge

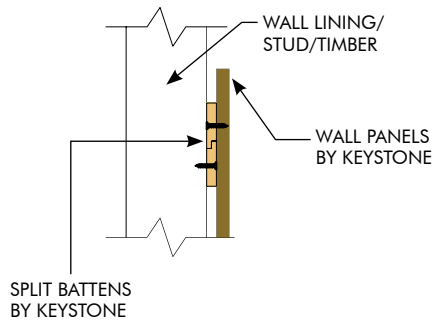
KEY-ECLIPSE

INSTALLATION GUIDE - CEILING

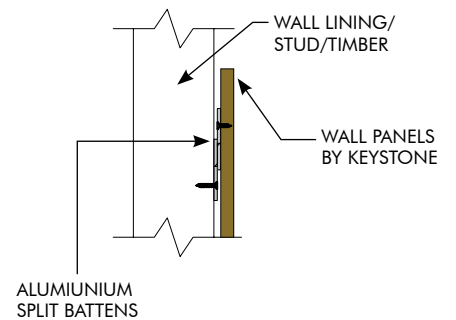




BATTENS TYPE 12M
12MM MDF BATTENS MITRED



BATTENS TYPE 12R
12MM MDF BATTENS REBATED



BATTENS SLIM LINE
ALUMINIUM SPLIT BATTENS

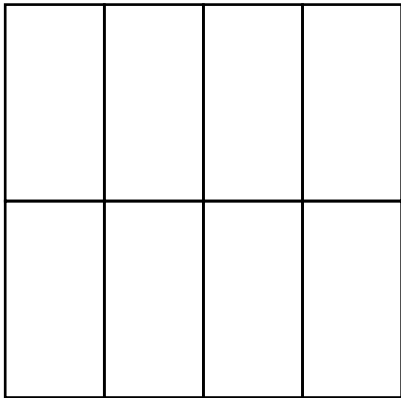


Virgin Lounge

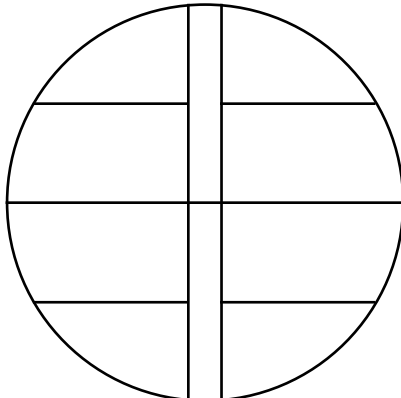
KEY-ECLIPSE

PANEL LAYOUT OPTIONS - CEILING AND WALL

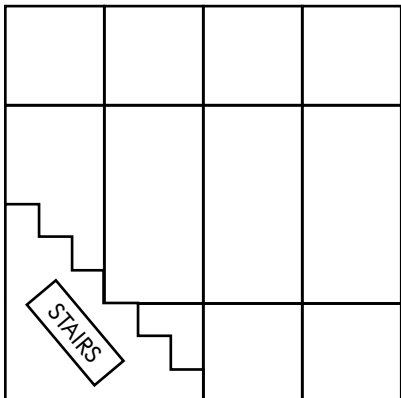
STANDARD VERTICAL LAYOUT



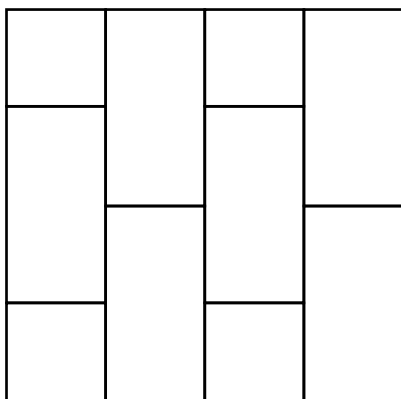
SHAPED PANELS LAYOUT



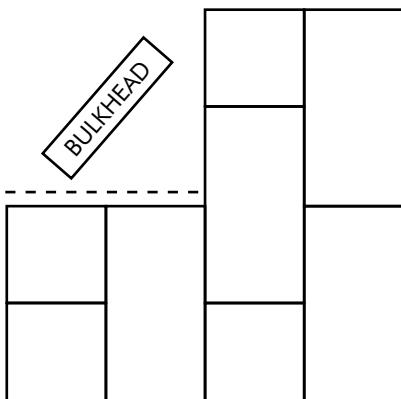
STANDARD VERTICAL LAYOUT



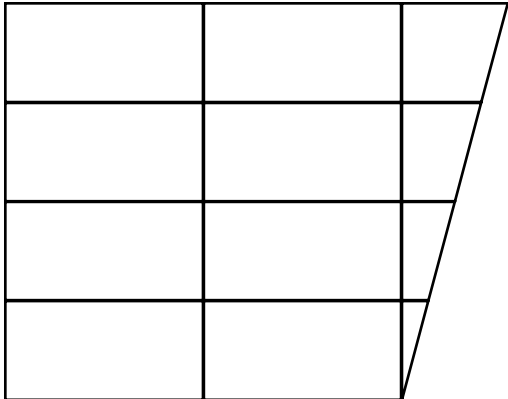
STANDARD VERTICAL BRICK PATTERN



STANDARD VERTICAL BRICK PATTERN BULKHEAD



STANDARD HORIZONTAL LAYOUT - SHAPED PANELS



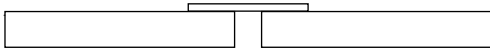


Contech Office

KEY-ECLIPSE

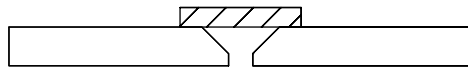
EDGE DETAIL AND JOINT OPTIONS

ED - 10/S
ED - 15/S

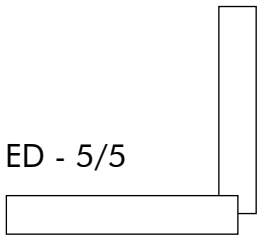


- Express Joint Detail - Square edge
- 50MM X 0.7MM Black Laminate Strips

ED - 3/45NM
ED - 5/45NM



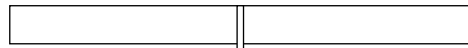
- 45° Negative Mitre Detail



ED - 5/5

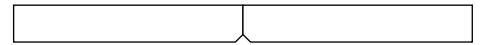
- 5mm Birds Beak Detail

ED - 1.5/1.5B
ED - 3/3B



- Aluminium Joint Detail

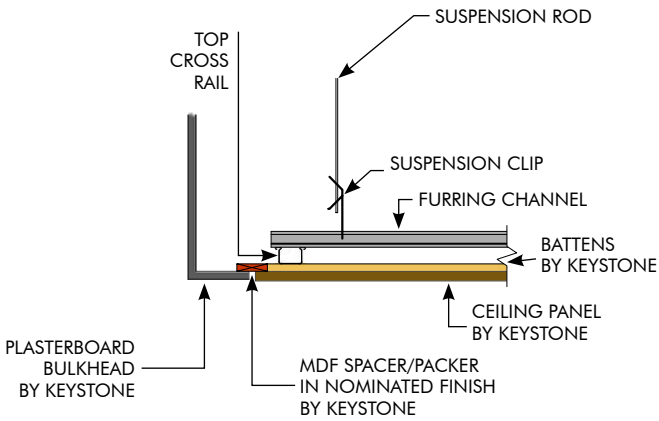
ED - 3/1.5V
ED - 6/3V



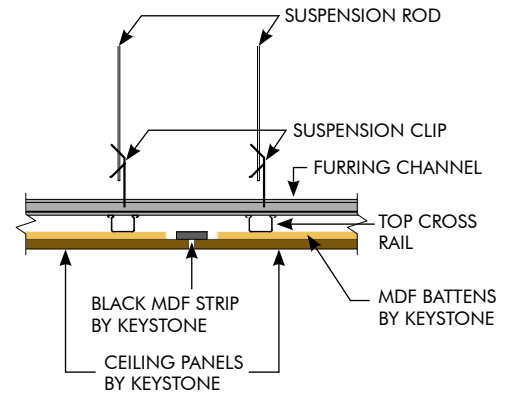
- 45° Arris Joint Detail

KEY-ECLIPSE

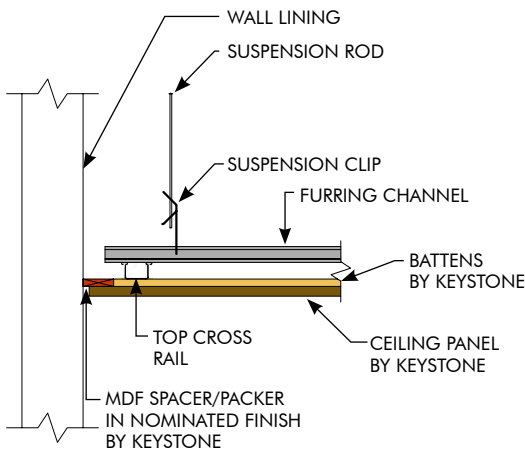
JUNCTION OPTIONS - CEILING



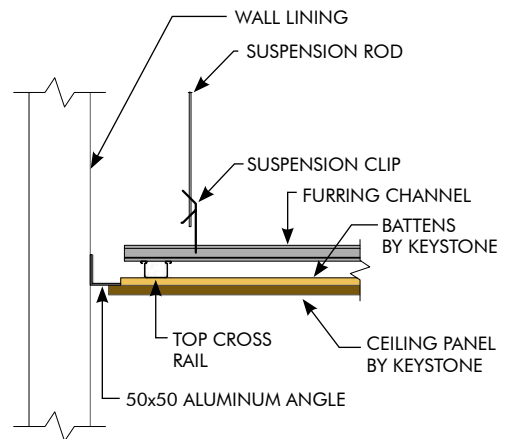
**PLASTERBOARD & CEILING
PANEL JUNCTION**



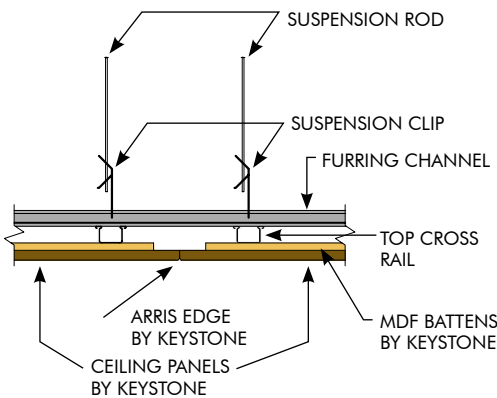
EXPRESS JOINT DETAIL



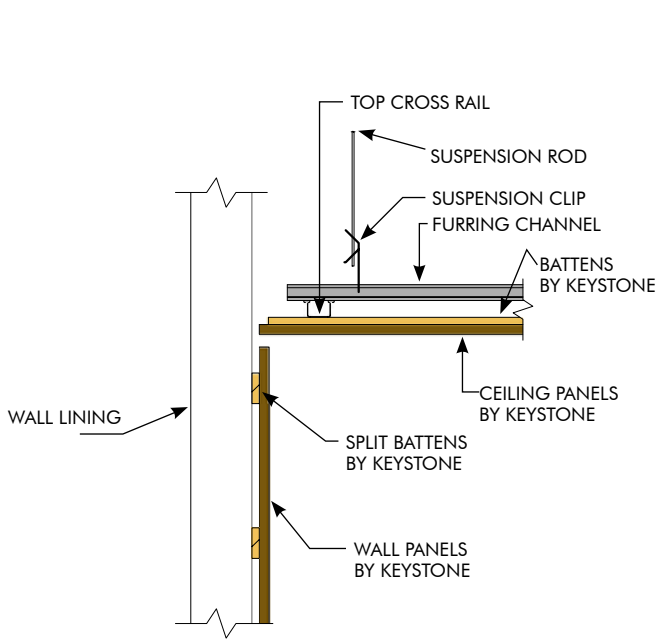
**CEILING PANEL AT WALL JUNCTION
(TYPE 1)
MDF SPACER/PACKER**



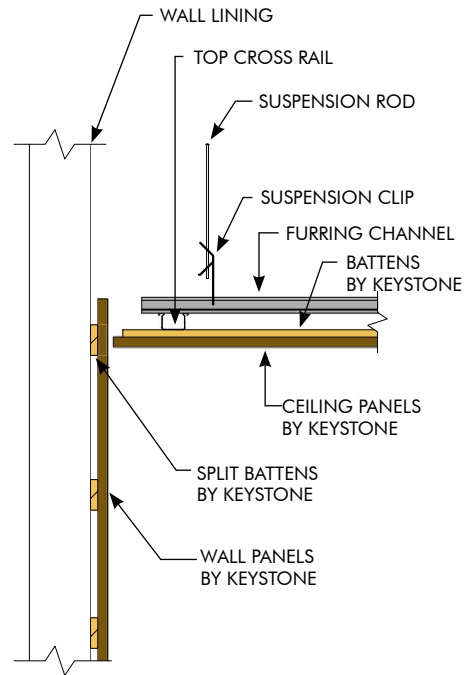
**CEILING PANEL AT WALL JUNCTION
(TYPE 2)
ALUMINUM ANGLE**



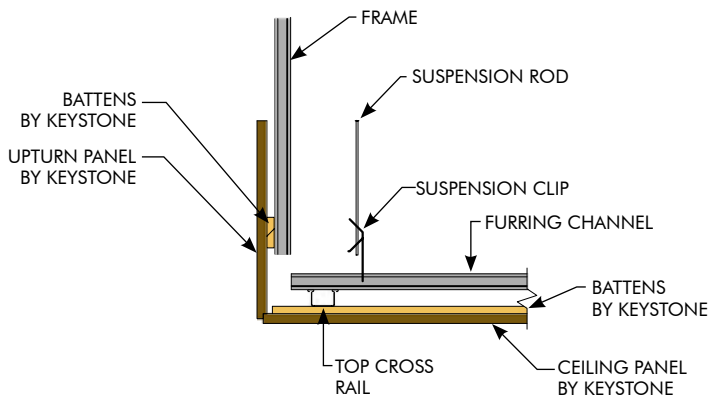
ARRISED CORNER BUTT JOINT DETAIL



**CEILING PANEL AT WALL JUNCTION
(TYPE 4)**



**CEILING PANEL AT WALL JUNCTION
(TYPE 3)**



**CEILING PANEL AT WALL JUNCTION
BIRDS BEAK DETAIL
(TYPE 5)**

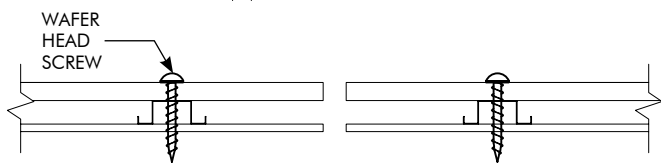
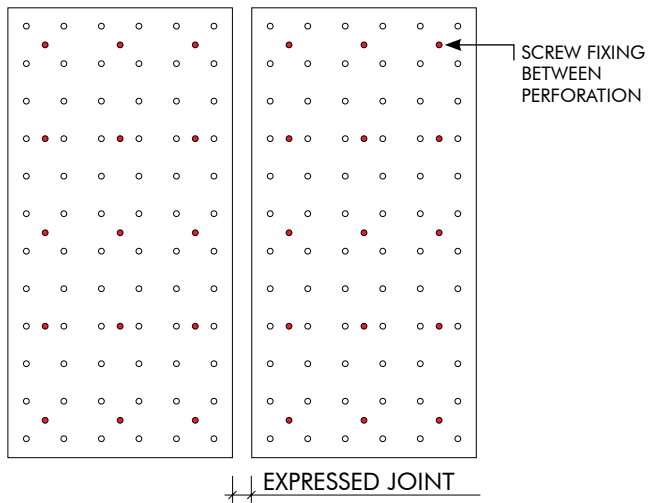


Virgin Lounge

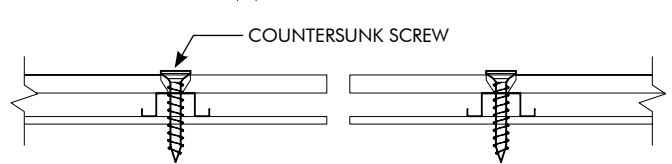
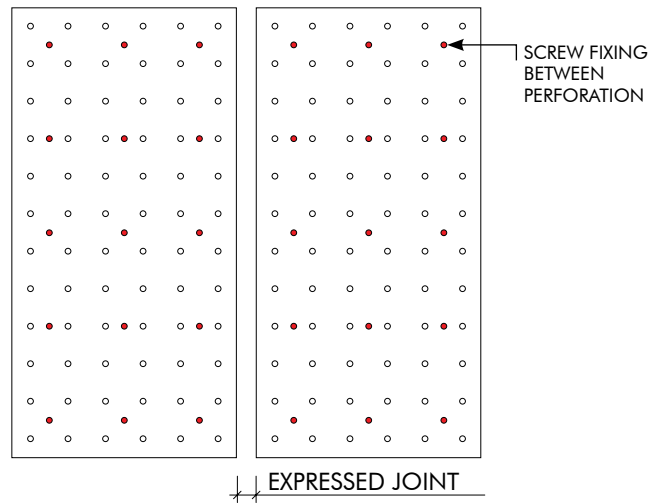
KEY-ECLIPSE

EXPOSED FIXING OPTIONS - CEILING & WALLS

EXPOSED FACE FIXING - WAFFER HEAD SCREWS



EXPOSED FACE FIXING - COUNTERSUNK SCREWS

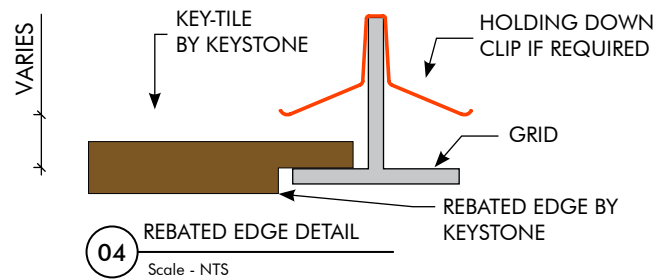
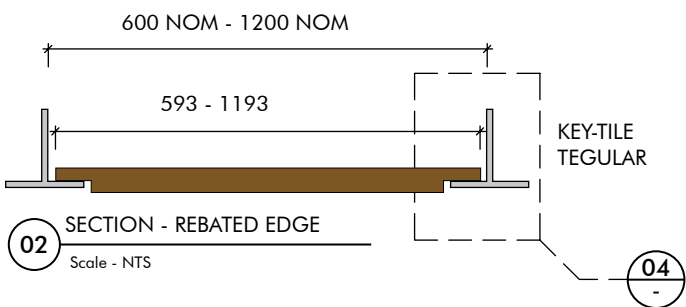
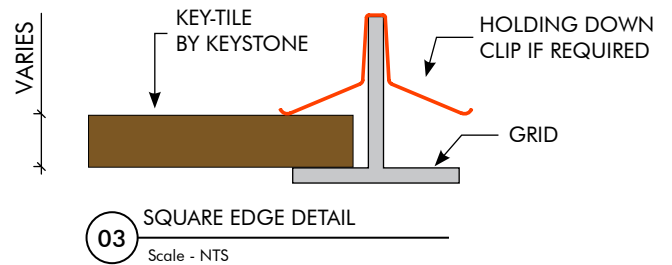
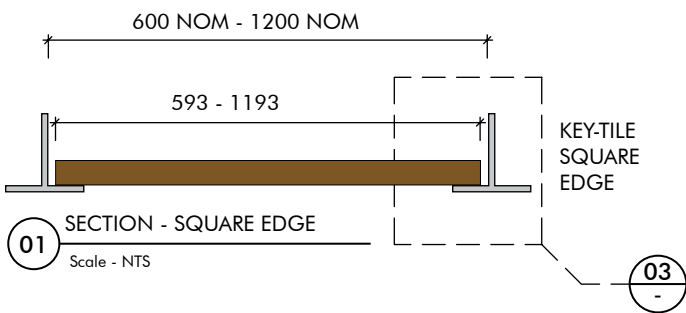


CITRIX

Citrix Xclusive Fitout

KEY-ECLIPSE

KEY-TILE - CEILING TILES - D.I.T.



KEY-TILE			
	12mm	16mm	18mm
1193 x 593	✓	✓	✓
593 x 593	✓	✓	✓
Weight (Kg/m2)	Refer To Sheet Size Guide		

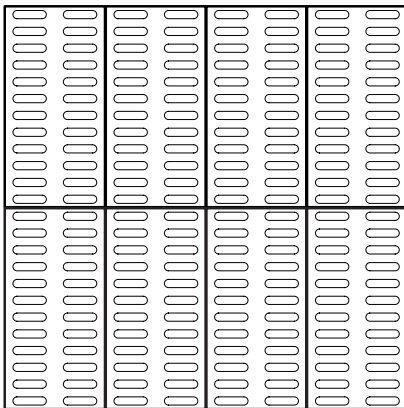


Prospect Clic

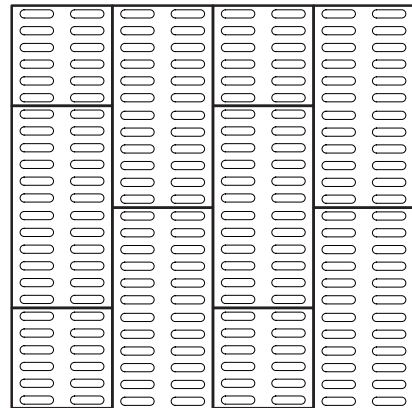
KEY-ECLIPSE

KEY - TILE - CEILING TILES - D.I.T. LAYOUT OPTIONS

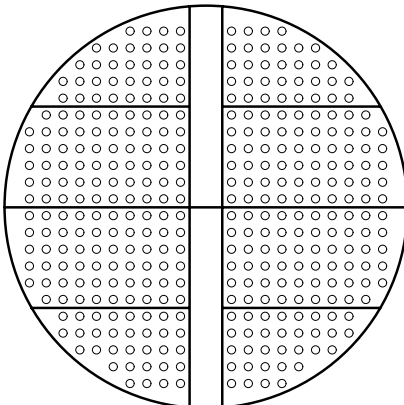
STANDARD LAYOUT



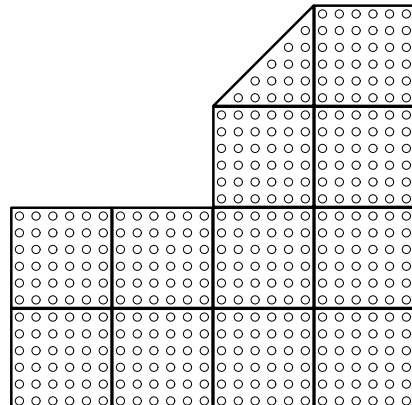
BRICK PATTERN



SHAPED LAYOUT



STANDARD LAYOUT



THE PONDS



SUNSHINE COAST UNI HOSPITAL



WOODLEIGH SCHOOL HOMESTEADS STAGE 2





Level 1, 7-8 Davis Road,
Wetherill Park, NSW 2164
02 9604 8813
www.KeystoneLinings.com.au