



PRODUCT GUIDE
2017

That little bit extra...

Thermogroupau



GOOD HEATING PRODUCTS



To experience simple, honest, on-time, quality service contact Thermogroup Pty Ltd.

P 1300 368 631 | F 1300 655 532 | E sales@thermogroup.com.au

www.thermogroup.com.au | PO Box 822 Leeton NSW 2705 | 19 Ridley Ave, Leeton NSW 2705

ABN: 65 239 653 898

Thermogroup reserves the right to alter designs, product specifications and materials without notice. All measurements are subject to manufacturing tolerances. All information in this brochure is correct at time of publication.

GUARANTEE INFORMATION

Thermogroup covers all its products with a satisfaction guarantee. In addition Thermogroup will supply a replacement product where a fault is shown to be caused by faulty manufacture, materials or workmanship providing the goods have been installed correctly & according to the installation instructions. This Guarantee does not include removal, freight or installation costs. Thermogroup products come with Guarantees that cannot be excluded under the Australian consumer law and you are entitled to a replacement or refund for a major failure & compensation for any other reasonable foreseeable loss or damage. You are also entitled to have the goods repaired or replaced if the goods fail to be of acceptable quality and the failure does not amount to a major failure.

Thermogroup^{au}



GOOD HEATING PRODUCTS

Prices valid 01/01/17 - 31/12/17

©Thermogroup Pty Ltd 2017

Vision

We will set the new standard in customer service, one which all our stakeholders can depend on. In doing this we will become the trusted source of heating solutions for the discerning consumer and specifier today. In return, consumers will reward us with increased revenues enabling us to provide for our staff and the communities we all live in.

Mission

Our mission is to provide a unique level of comfort for consumers. We will accomplish this by delivering excellence in the manufacture, distribution and support of market leading underfloor heating and associated products.

Values

Strong values and integrity underpin the foundation for our simple honest, on-time, quality service allowing us to always provide you, our customers, with that little bit extra!



Commitment

Our commitment is to be honest, open and direct with our customers, suppliers and team members. By forming long lasting relationships with all of our stakeholders we have built a reputation for reliability which demonstrates we can be trusted to do everything we say we will.



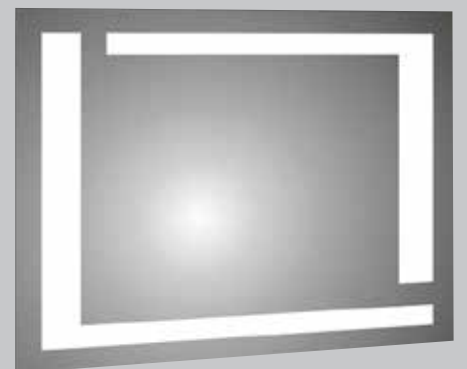
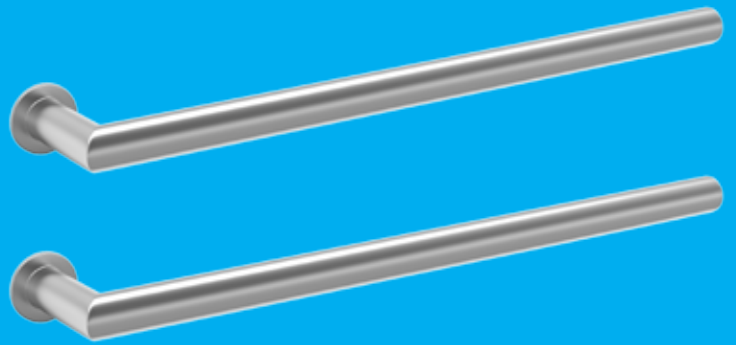
Solutions Driven

Being a solutions provider is what motivates us every day. We empathise with our customers and are dedicated to going the extra mile to understand their needs in order to be able to provide reliable practical solutions.

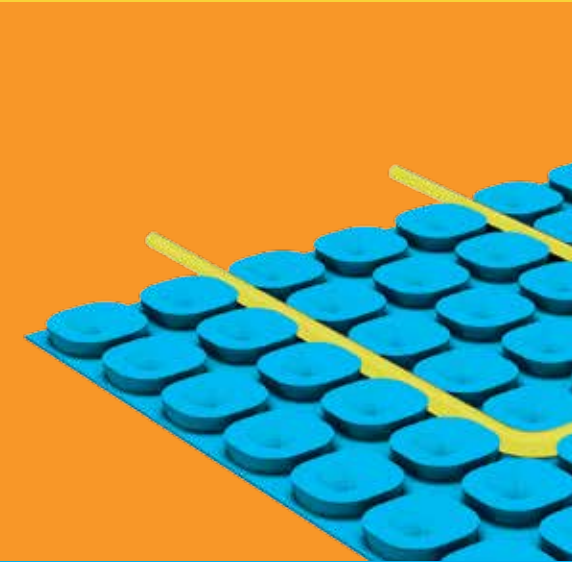









Excellence

We hold ourselves to the highest standards in the industry and follow a philosophy of continuous improvement in all areas of business.



CONTENTS



	UNDERFLOOR HEATING	06
	Thermonet EZ 150W	12
	Thermonet 200W	16
	Thermonet Wall Heating	18
	Thermonet Bespoke	20
	Vario EZ	22
	Vario PRO	26
	Thermofoil	30
	Thermoscreed	34
	Inscreed Mats	NEW! 37
	Thermoduo	38
	CONTROLS & ACCESSORIES	40
	Thermotouch 4.3dC	NEW! 42
	Thermotouch 7.6iG	NEW! 46
	Thermostats	48
	Accessories	49
	Electrical Information	50
	INSULATION	52
	Econoboard Insulation Board	56
	Rigid Insulation Board	60
	Econosoft	62
	Econoscreed	64
	Econospeed	66
	SPACE HEATING	68
	Thermofan	70
	Thermorad	72
	LST Radiators	73
	Heat Tubes	73
	Thermoplinth	74
	Thermomat	74
	Thermoprotect	75
	HEATED TOWEL RAILS	76
	Thermorail 12Volt Range	80
	Thermorail 12Volt Single Ended Range	NEW! 84
	Thermorail Ladder Ranges	88
	Thermorail Timers	102
	Thermorail Non Heated Range	110
	Hydronic Range	116
	Lagoon Range	NEW! 118
	Jeeves Range	122
	Bathroom Accessories	132
	ABLAZE MIRRORS	134
	Premium Back-lit Range	136
	Magnifying Mirror Range	140
	Thermomirror Demisters	144
	Contractor Range	147
	Signature Range	150
	Contractor Back-lit Range	152
	Art Deco Range	154
	Mirror Cabinets	156
	LINE DRAWINGS	158

WSL - Only available while stock lasts



SINGLE ENDED FOR
EASE OF PLANNING

CAN BE INSTALLED
DIRECTLY UNDER TILES

FULLY SELF ADHESIVE
"LAY FLAT" MESH



UNDERFLOOR HEATING

Thermonet EZ 150W

Thermonet EZ 200W

Thermonet Wall Heating

Thermonet Bespoke

Vario EZ

Vario PRO

Thermofoil PRO

Thermoscreed

Inscreed Mats

Thermoduo



The benefits of electric underfloor heating...



Make your house your home!

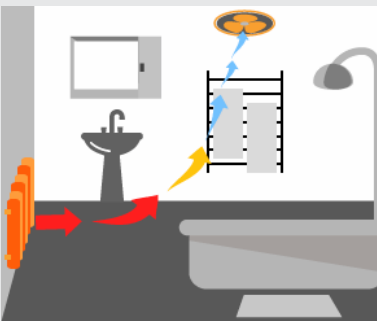
Nothing beats the all round luxury feeling of a warm floor! Our electric underfloor heating solutions can be used to take the chill off tiled floors or can be used as a primary heat source in your bathroom, kitchen, living areas, or any other room in your home.

More Comfortable Heat - Underfloor heating radiates an even heat into any room, preventing convection draughts and overheating.

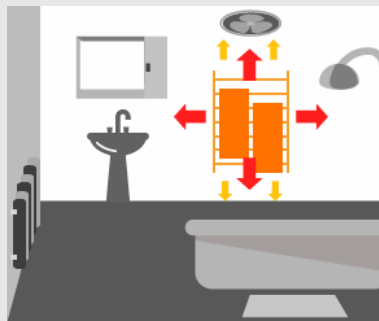
Efficient Heating - By minimising draughts and not overheating the air, underfloor heating creates a more efficient heat that doesn't get lost through windows and ceilings.

Great for allergy sufferers - Less convected air means less dust and allergens are circulating in the air you breathe, creating a more hygienic environment.

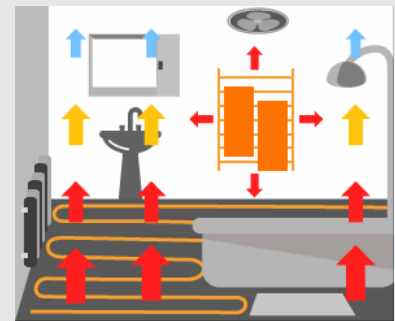
Beautiful Warm Tiles - Nobody likes walking over a tile or stone floor that doesn't have underfloor heating, especially in winter time. Nothing beats the feeling of a gently heated floor.



Having a radiator in your bathroom only provides limited heat. Building regulations require bathrooms to have an extractor fan, as soon as the fan is turned on heat convected from your radiator is sucked out through the vent.



Heated towel rails have become a very popular bathroom accessory for both aesthetic and practical reasons, however the output of most heated towel rails is very limited and fails to effectively heat the whole bathroom especially when covered with damp towels.



Electric underfloor heating is the most efficient way to heat your bathroom, the radiant heat generated upwards from the floor provides an even heat throughout the room. Electric underfloor heating also helps to dry wet floors quicker and provide a luxury feel to your bathroom floor!



Complete Install Flexibility

Greater design freedom - Radiators take up wall space. Whereas underfloor heating allows you the use of all your wall space in the room.

Zero maintenance - With an underfloor heating element installed under the floor, there is little or no maintenance work. This is a major benefit over a warm water or central heating system.

Simple to install - Underfloor heating is simple to install under your floor with a range of systems available to suit all floor coverings.



It's an efficient way to heat your home!

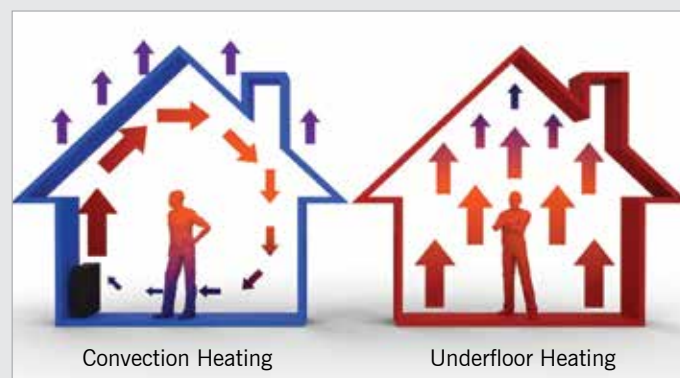
Accurate control - Underfloor Heating systems can be controlled with independent thermostats in each zone creating efficient on demand heating when you need it.

Rapid heat up times - On a well insulated subfloor, an under tile electric underfloor heating system will reach it's target temperature typically within 60 minutes after initial heat up.

Efficient heating - With underfloor heating, 100% of the electric energy is converted into heat that can be distributed where and when you need it.

Affordable running costs - Typical running costs are approximately \$25 - \$30 per m², per year* making it an affordable luxury you can enjoy.

*Depending on your electricity tariff and the level of insulation





Which underfloor heating system is best for your project?

Under Tile Heating

Tiles are a very popular and common floor finish, however one major disadvantage is they are very cold to walk on especially in winter. However this can be overcome with under tile heating systems, which allows you to experience the feeling of a warm tiled floor.



Thermonet

Thermonet is a matting underfloor heating system that is specially designed to be installed directly beneath your tiles.

See more details on page 12 - 17



Vario

Vario is an under tile loose wire heating system ideal for installing in small, awkward areas.

See more details on page 22 - 25



Vario PRO

Vario PRO is the ultimate professional tiling solution that combines electric underfloor heating with an uncoupling, crack isolation and waterproofing membrane.

See more details on page 26 - 29



Under Timber Heating

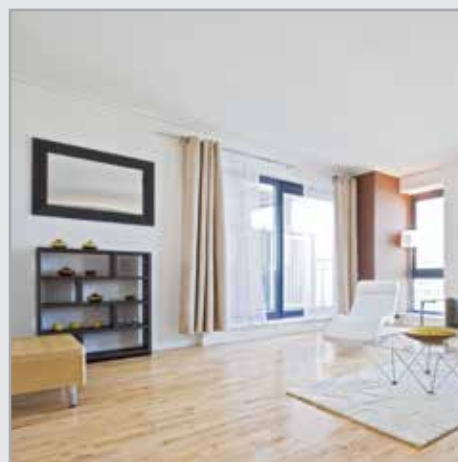
Laminate and engineered timber floors are becoming more and more popular because of their eco credentials and the natural look and feel of a wooden floor. Thermofoil PRO brings the ease and simplicity of electric underfloor heating to laminate flooring.



Thermofoil PRO

Thermofoil PRO can be used under either a floating or solid timber floor when used in conjunction with Econoscreed or Econospeed.

See more details on page 30 - 33



Save up to 50% on running costs when you install Econoboard insulation boards. See page 54 - 59 for more details





Under Carpet Heating

Thermofoil PRO is designed for simple installation under laminate, timber, vinyl, or carpet flooring. For under carpet installations, Thermofoil should be installed between the underlay and the carpet.



Thermofoil PRO

Thermofoil PRO is specially designed to operate in a void i.e. between the carpet and the underlay making installation extremely quick and easy.

See more details on page 30 - 33



In Screed Heating

In Screed heating systems are very versatile in their application as they are suitable for use with any floor covering. Putting a screed over your heating system before tiling also ensures that there is minimal risk of damage and a flat surface to tile onto.



Thermoscreed 18W/Lm

Thermoscreed is a heavy duty 5.5mm thick cable that is designed to be installed in the screed layer.

See more details on page 36



Comfortzone 200W

Comfortzone 200 Watt mat system is designed to be installed in the screed layer and allows for quick and easy installation.

See more details on page 37



In Slab Heating

In Slab heating is very common in new builds and is a very efficient form of underfloor heating. Unlike under tile heating, in slab heating is designed to heat the entire slab which then creates an energy efficient thermal mass under your floor.



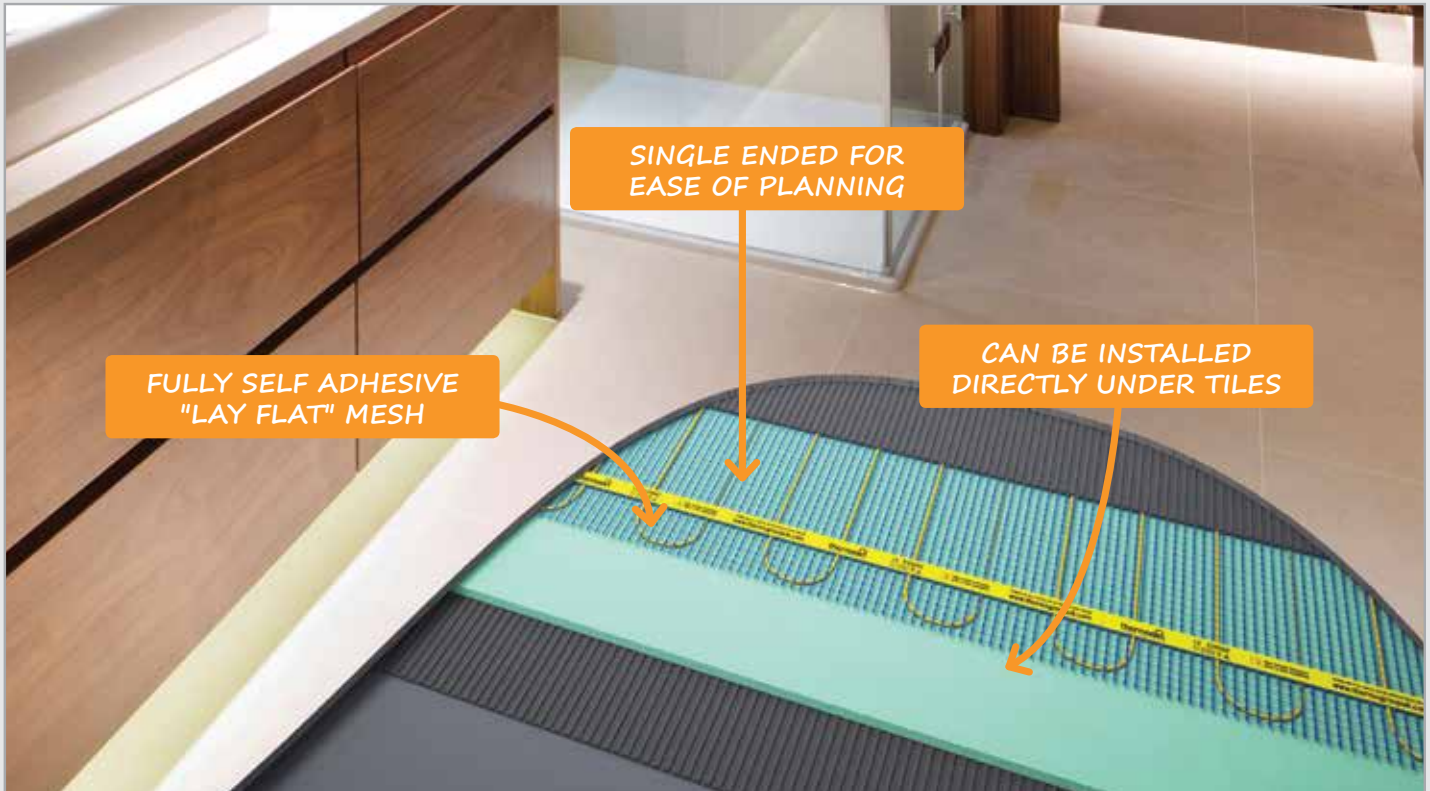
Thermoduo

Thermoduo is a versatile, robust 7mm thick heating cable that is specially designed to be attached to the concrete mesh prior to the concrete being poured.

See more details on page 38 - 39

Ask about our free planning service and our Australia wide installation service





Thermonet stands alone as the very best quality electric underfloor heating mat. This is the result of 20 years of in house manufacture, tireless innovation and continuous improvement.

Thermonet is the ideal system for below tiled floors providing rapid response times to deliver beautiful warm tiles and comfort to any room. Thermonet can also be used under carpet or timber floor finishes when topped with a layer of 10mm screed.



Thermonet features self adhesive mesh and stress free TwistedTwin cable to ensure the Thermonet matting lies flat whilst installing. Thermonet heating cable is just 3.5mm thick allowing the installer to fit the product faster and without the need for extra materials and processes such as expensive and time consuming self levelling compounds. In a tiled floor application Thermonet can be laid directly in the adhesive layer without causing extra build up.



Our superior TwistedTwin cable is unique in Australia. You'll find marginally thinner cables, but you won't find better quality.



Operating our own factory in Germany gives us complete control over the manufacturing and testing of Thermonet®. This ensures we always provide you with the very best electric underfloor heating systems money can buy.



The TwistedTwin cable means that there is no electromagnetic field caused by the floor heating.



We are so confident in the quality of Thermonet underfloor heating that we give each system a warranty that lasts a lifetime.



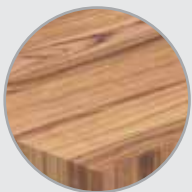
Versatile underfloor heating system compatible with most floor types

Thermonet is commonly installed under tiled floors. Many people do not realise that you can also bring the warm feeling to an engineered timber, vinyl and even a carpet floor.



Tiles

Thermonet is installed directly below the tiles, within the adhesive bed, giving a fast response time and the feeling of a warm tiled floor and warm room.



Engineered Timber

By adding a layer of flexible self levelling compound, Thermonet can be installed under engineered timber flooring finishes.



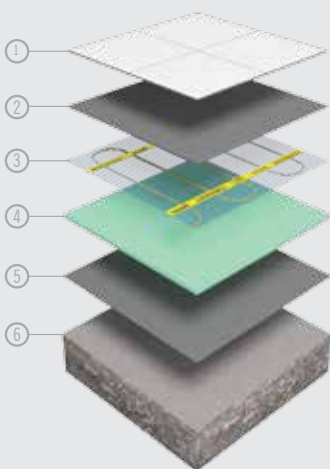
Vinyl or Linoleum

Thermonet can also be installed under vinyl floor finishes or similar when encased in a layer of flexible self levelling compound.

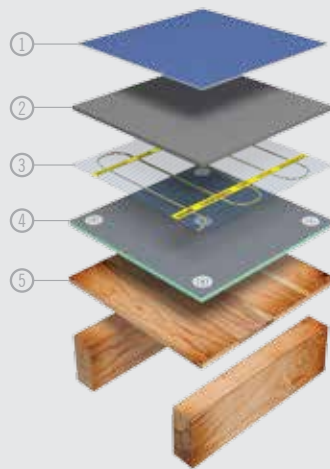


Carpet

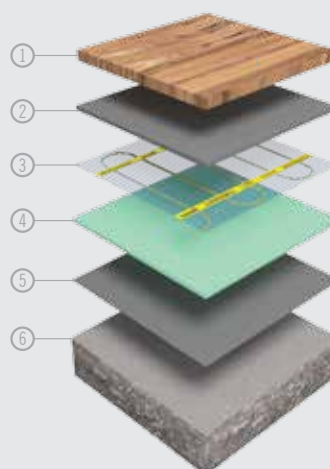
If your carpet and underlay has a combined TOG rating under 2.5 and a layer of self levelling compound is installed you can have Thermonet under your carpet.



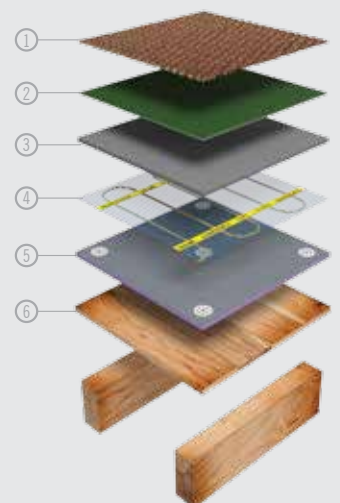
- ① Tiled floor finish
- ② Flexible tile adhesive
- ③ Thermonet heating mat
- ④ Econoboard uncoated insulation
- ⑤ Flexible tile adhesive
- ⑥ Prepared concrete substrate



- ① Glued vinyl floor finish
- ② Flexible self levelling compound*
- ③ Thermonet heating mat
- ④ Econoboard coated insulation
- ⑤ Timber substrate



- ① Engineered timber floor finish
- ② Flexible self levelling compound*
- ③ Thermonet heating mat
- ④ Econoboard uncoated insulation
- ⑤ Flexible tile adhesive
- ⑥ Prepared concrete substrate



- ① Carpet floor finish**
- ② Low TOG underlay**
- ③ Flexible self levelling compound*
- ④ Thermonet heating mat
- ⑤ Econoboard coated insulation
- ⑥ Timber substrate

*Minimum recommended thickness of 10mm. Contact us for other suitable floor finishes and build up information. **Combined TOG rating needs to be under 2.5.

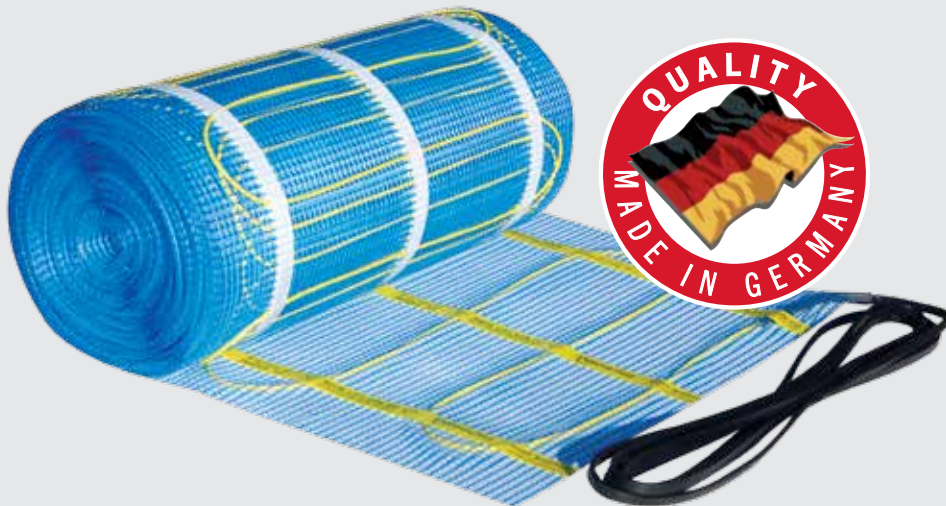


The original and best!

When your reputation rests on the products you specify, and when it comes to selecting the very best electric underfloor heating available today, there is only one intelligent conclusion - Thermonet.

5 Reasons to choose Thermonet

- ✓ Unique TwistedTwin heating cable
- ✓ Element fully protected by the mesh
- ✓ Made in Germany - The best quality
- ✓ Full site support and after sales care
- ✓ Lifetime warranty when registered online



Primary Heat Source

Thermonet 150W Mats are designed to provide a primary heat source in most well insulated areas with coverage of at least 75 - 80%.

What size do I need?

Work out your floor size less any fixtures such as baths and vanities and then match your square meters to the nearest mat. You can use multiple mats wired in parallel for larger areas.

Floor Plans

Send us your floor plan and we will provide you with an obligation free proposal to suit your application. That little bit extra!

Safe for use in wet areas

Thermonet is IP67 rated and is perfectly safe for use in bathrooms and wet locations such as shower trays and wet rooms.



Thermonet® EZ 150 W/m² - Heating mat only

STOCK NO	SIZE M	AREA M2	OUTPUT W	RRP EXCL \$	RRP INCL \$
111502	2 x 0.5	1.0	150	211.82	233.00
111503	3 x 0.5	1.5	225	248.18	273.00
111504	4 x 0.5	2.0	300	299.09	329.00
111505	5 x 0.5	2.5	375	326.36	359.00
111506	6 x 0.5	3.0	450	353.64	389.00
111507	7 x 0.5	3.5	525	399.09	439.00
111508	8 x 0.5	4.0	600	444.55	489.00
111509	9 x 0.5	4.5	675	480.91	529.00
111510	10 x 0.5	5.0	750	526.36	579.00
111512	12 x 0.5	6.0	900	580.91	639.00
111514	14 x 0.5	7.0	1050	635.45	699.00
111516	16 x 0.5	8.0	1200	699.09	769.00
111518	18 x 0.5	9.0	1350	780.91	859.00
111520	20 x 0.5	10.0	1500	844.55	929.00
111524	24 x 0.5	12.0	1800	990.00	1,089.00
111528	28 x 0.5	14.0	2100	1,162.73	1,279.00
111532	32 x 0.5	16.0	2400	1,217.27	1,339.00

See Pg. 42 - 48 for Thermostat options

Save up to 50% on running costs when you install Econoboard insulation boards. See page 54 - 59 for more details





Full Kit Ready for Installation!

Thermonet 150W/m² Undertile heating mats are now available in a full kit which includes all the items that are required for installation.

With 150W/m² underfloor heating, you can install up to 24m² on one thermostat*. If you need a larger area of floor heating to be controlled on one Thermostat you'll need a Contactor/Snubber.

Speak to our team for more information.

*Assuming the Thermostat has a maximum load of 16A.

Kit Includes:

Thermonet 150W/m² Mat, Programmable Thermostat (5220A), Floor Temperature Sensor, Sensor Conduit, Mat Monitor, Installation Guide & Warranty Form

Interested in upgrading your Thermostat?



Thermonet® EZ 150 W/m ² - Complete kit					
STOCK NO	SIZE M	AREA M2	OUTPUT W	RRP EXCL \$	RRP INCL \$
111502T	2 x 0.5	1.0	150	475.45	523.00
111503T	3 x 0.5	1.5	225	511.82	563.00
111504T	4 x 0.5	2.0	300	562.73	619.00
111505T	5 x 0.5	2.5	375	590.00	649.00
111506T	6 x 0.5	3.0	450	617.27	679.00
111507T	7 x 0.5	3.5	525	662.73	729.00
111508T	8 x 0.5	4.0	600	708.18	779.00
111509T	9 x 0.5	4.5	675	744.55	819.00
111510T	10 x 0.5	5.0	750	790.00	869.00
111512T	12 x 0.5	6.0	900	844.55	929.00
111514T	14 x 0.5	7.0	1050	899.09	989.00
111516T	16 x 0.5	8.0	1200	962.73	1,059.00
111518T	18 x 0.5	9.0	1350	1,044.55	1,149.00
111520T	20 x 0.5	10.0	1500	1,108.18	1,219.00
111524T	24 x 0.5	12.0	1800	1,253.64	1,379.00
111528T	28 x 0.5	14.0	2100	1,426.36	1,569.00
111532T	32 x 0.5	16.0	2400	1,480.91	1,629.00

As standard the Thermonet kits come with the 5220A Touchpad controller. Alternative Thermostat options are available on page 42 - 48.

Running Costs

Electric underfloor heating is one luxury that won't cost you the earth either!

At an approximate \$25 - \$30 per m², per year making it an affordable luxury you can enjoy.**

**Depending on your electricity tariff and level of insulation.

Unrivalled quality

Thermonet electric underfloor heating stands alone as a mark of quality in the electric underfloor heating industry.

The unique TwistedTwin heating cable is the very best on the market and the self-adhesive matting on the wire side offers unrivalled protection for the heating cable during installation.



Terms & Conditions apply.

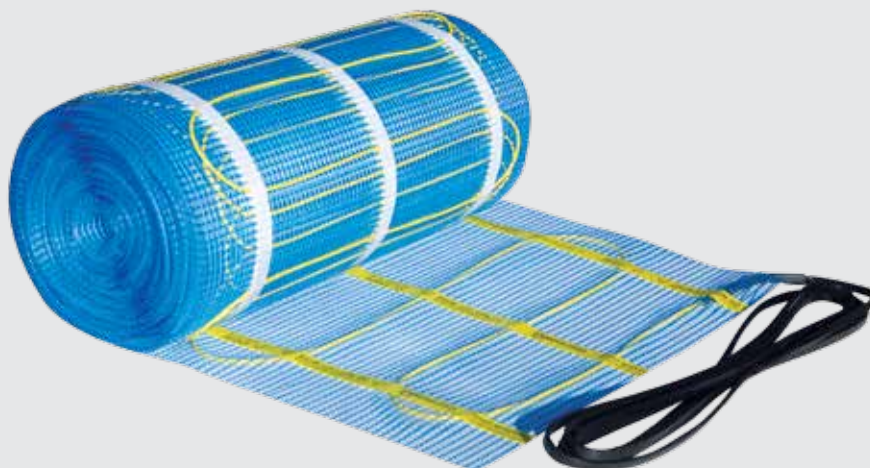


Rapid heat up times

Thermonet® EZ 200W/m² operates at a higher wattage than the standard Thermonet 150W/m² meaning that it has a more rapid heat-up time.

Thermonet 200W/m² mats are also ideal for higher heat loss applications and in small bathrooms or ensuites where floor space is limited due to bathroom fixtures.

Thermonet 200W/m² can also be used when installing a screed above the heating in order to reduce the heat up time and speed up response times.



Substrate Preparation

Thermonet is suitable for use on concrete and timber substrates. A layer of insulation should be included between the heating and the substrate to minimise heat loss downwards and maximise efficiency.

For Timber substrates use Econoboard Coated, which is reinforced with a layer of mesh and cement coating to add strength and rigidity to a timber sub floor.

For Concrete substrates use Econoboard Uncoated, which is very similar but without the reinforcing as this is not required for concrete sub floors.



Thermonet® EZ 200 W/m² - Heating mat only

STOCK NO	SIZE M	AREA M2	OUTPUT W	RRP EXCL \$	RRP INCL \$
112003	3 x 0.5	1.5	300	426.36	469.00
112004	4 x 0.5	2.0	400	477.27	525.00
112005	5 x 0.5	2.5	500	544.55	599.00
112006	6 x 0.5	3.0	600	635.45	699.00
112008	8 x 0.5	4.0	800	771.82	849.00
112010	10 x 0.5	5.0	1000	853.64	939.00
112012	12 x 0.5	6.0	1200	1,035.45	1,139.00
112014	14 x 0.5	7.0	1400	1,108.18	1,219.00
112016	16 x 0.5	8.0	1600	1,271.82	1,399.00
112018	18 x 0.5	9.0	1800	1,405.45	1,546.00
112020	20 x 0.5	10.0	2000	1,608.18	1,769.00
112024	24 x 0.5	12.0	2400	1,780.91	1,959.00

Under tile heating - Heat up times

Floor construction and finish will govern heat up times. Where heat up times increase, so do cool down times, therefore it is unlikely that the floor will be heating up from cold each day. Sufficient insulation such as Econoboard, will greatly reduce heat up times and you will notice the difference in your energy bills. A well insulated Thermonet system can be up to 50% more efficient than an un-insulated system, especially when managed by a programmable thermostat. Average heat up times can be seen in the table below:

	150W/m ²	200W/m ²
Un-insulated Concrete	2 - 4 hrs	1 hr 30 mins - 3 hrs
Concrete with 10mm Econoboard	1 hr	45 mins
Concrete with 10mm Econoboard & 25mm Screed	2 hrs	90 mins
Uninsulated timber substrate	1 hr	45 mins
Timber substrate with 10mm Econoboard	30 mins	20 mins

(Allow 1 hour per 25mm of screed for heat to penetrate)

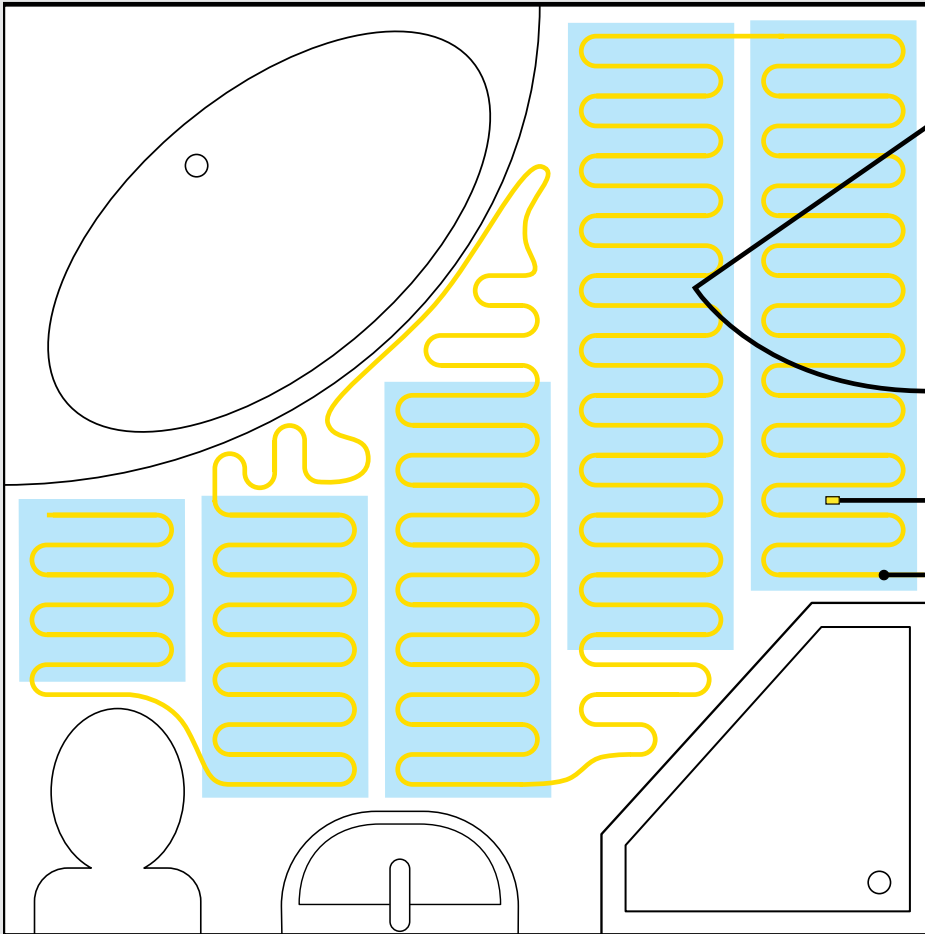


See our dual control Thermostat, Thermotouch 4.3dC on page 42

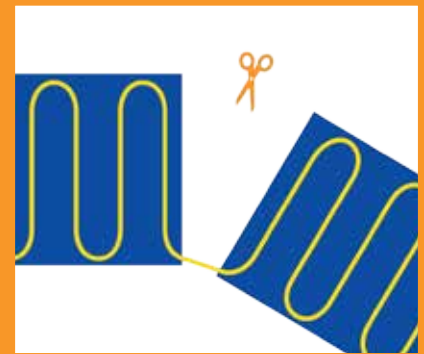


Easy installation in any room

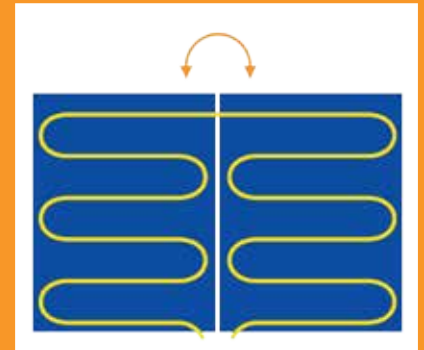
Thermonet is a mat system which comes on a 0.5m wide roll allowing you to cut the mesh (not the cable) and turn it to fit into any room and around any fixture. Simple and fast. Thermonet mats will not always fit into spaces around irregular shapes like a bath, toilet or vanity. In this case simply remove the cable from the mesh and arrange in loops to cover the area. Use a minimum cable spacing of 50mm and fix in place using a hot glue gun or strong tape. Do not place directly under permanent fixtures or furniture such as under toilets or vanity units.



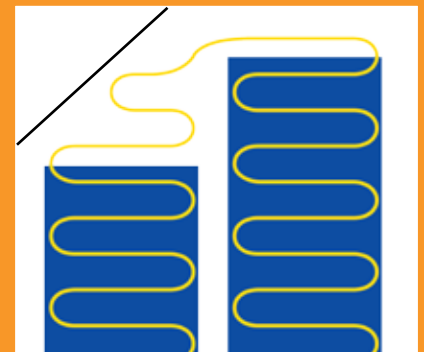
An example Thermonet layout in a bathroom



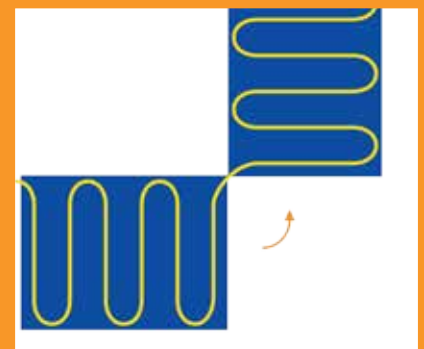
Cutting the mesh



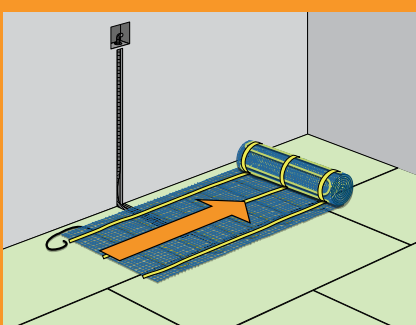
Turn 180°



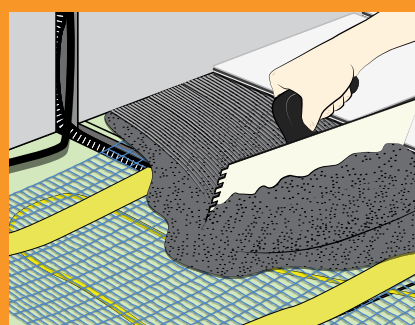
Staggered 180°



Turn 90°



- 1 Prepare the substrate and lay insulation boards if required in your floor build up
- 2 Roll out the heating mat and adhere to insulation or substrate



- 3 When you reach the wall, cut and return the mat DO NOT CUT THE HEATING CABLE!
- 4 Carefully apply your floor finish taking care not to damage the heating cable



WALL HEATING
BEHIND TILES

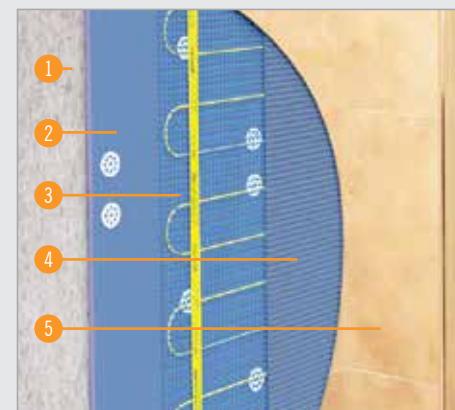
HELPS PREVENT
MOULD GROWTH

TRY A HEATED
SHOWER FLOOR



Wall heating mats - a great idea!

Bring the gentle warmth of electric underfloor heating to the walls of your shower or bathroom, perfect for those chilly mornings!



- 1 Wall structure
- 2 Econoboard coated insulation board
- 3 Thermonet wall heating mat
- 4 Flexible tile adhesive
- 5 Tiled wall finish

5 Reasons to choose wall heating

- ✓ Extra warmth and comfort in your shower
- ✓ Helps to speed up towel drying
- ✓ Inhibits the buildup of mould and mildew
- ✓ Warm walls create a warmer room
- ✓ Easy to install behind tiled walls

Extra warmth and comfort

A heated wall in your bathroom adds extra warmth and comfort to a shower cubicle and can be used behind a towel rail to dry towels faster and keep them warm in winter.

Prevent mould and mildew

If you have a cold corner, prone to mould and mildew, a wall heating mat will keep the walls dry and inhibit the buildup of any unwanted and unsightly mildew or mould.

Applications

- Behind towel rails to help towels dry
- Reduces moisture and growth of mould and mildew
- Rooms with limited available floor space
- Luxury hotel projects and spa interiors
- Rooms with high heat loss

Your customers will love that little bit of extra luxury!

Thermonet® Wall Heating Mats

STOCK NO	SIZE M	AREA M2	OUTPUT W	RRP EXCL \$	RRP INCL \$
111502	2 x 0.5	1.0	150	211.82	233.00
111503	3 x 0.5	1.5	225	248.18	273.00
111504	4 x 0.5	2.0	300	299.09	329.00

Other sizes available on request. Bespoke sizes are subject to a lead time that will be confirmed at the enquiry stage.



Terms & Conditions apply.

Our team specialises in creating electric underfloor heating solutions to meet the demands of the construction industry.

Have you got a challenging floor heating system and floor build up to design?

Then speak to the experts!

We are solutions driven and take pride in our ability to bring our solutions to the table!

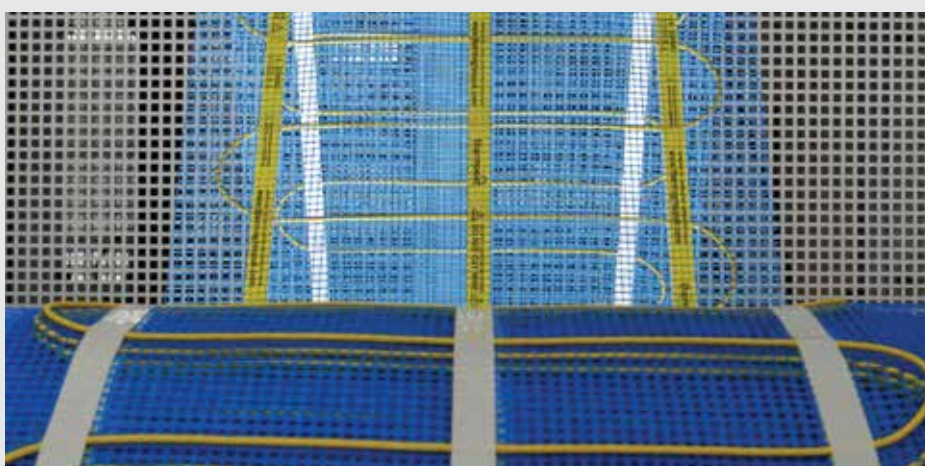


Bespoke underfloor heating mats

As a leading underfloor heating mat manufacturer, we have the resources and ability to produce hand finished mats to your designed shape and output*.



This is a diagram of an actual bespoke Thermonet mat, produced for a client with custom shape, size and output requirements.



5 Reasons to go bespoke!

- ✓ Custom made to measure mats
- ✓ Designed to fit any room shape
- ✓ Achieve a designed heat output
- ✓ Create a single mat for easy installation
- ✓ Fast track, time saving installation

Applications

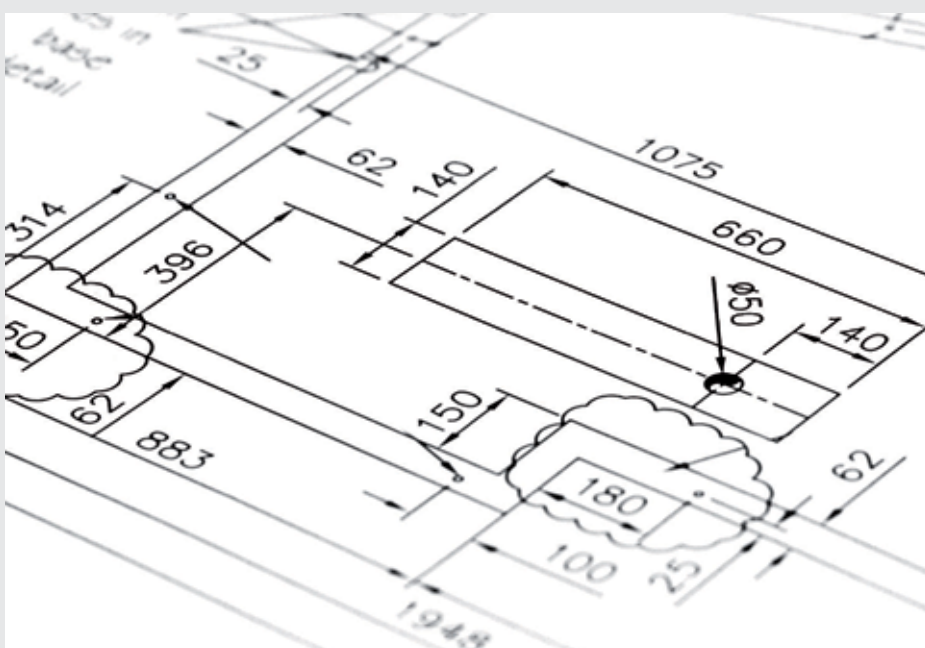
- Hotel bathroom refurbishments
- Pod and mobile home manufacturers
- Luxury residential refurbishments
- New build residential developments
- Spa interior projects

Any shape, any output, any size

Our team of technicians, based in Germany & UK can design and produce an electric underfloor heating mat to any output, shape or size.

How to order

1. Draw an accurate plan of the room
2. Include any obstructions such as drains
3. Include any permanent fixtures
4. Indicate the designed output for the room
5. Submit plans and await delivery!



Terms & Conditions apply.

*Please note minimum quantities apply.



TOTALLY VARIABLE
HEATING LAYOUT

PREMIUM
HEATING CABLE

UNIQUE PATENTED
FIXING STRIP

INCLUDES
5259
PROGRAMMABLE
THERMOSTAT



A premium cable kit solution

Achieve a fast, professional quality installation with Vario EZ Cable Kits. The unique, patented fixing strip makes installation quick and easy while the TwistedTwin cable lays flat to the floor for easy tiling and floor finishing.

Vario EZ Cable Kits

Vario™ EZ is a premium electric underfloor heating cable system designed with a pre measured fixing strip to speed up installation making the system flexible and easy.

Wire spacing can be adjusted to reduce or increase output per m².

Aim for 150W/m² for a primary heat source in a well insulated environment.



Vario™ EZ Cable Kits - Including 5259 thermostat and mat monitor

STOCK NO	DESCRIPTION	AREA M2	LENGTH M	OUTPUT W	RRP EXCL \$	RRP INCL \$
102102T	Kit 2 incl. Thermostat	1.0 to 1.5	14	185	453.64	499.00
102103T	Kit 3 incl. Thermostat	1.5 to 2.0	22	300	508.18	559.00
102104T	Kit 4 incl. Thermostat	2.0 to 2.8	33	450	544.55	599.00
102106T	Kit 6 incl. Thermostat	3.0 to 4.5	44	600	626.36	689.00
102108T	Kit 8 incl. Thermostat	4.5 to 5.8	55	750	690.00	759.00
102110T	Kit 10 incl. Thermostat	6.0 to 7.5	66	900	790.00	869.00
102112T	Kit 12 incl. Thermostat	7.5 to 9.0	86	1200	880.91	969.00

For kit price without thermostat deduct \$299 INCL GST from the RRP cost.

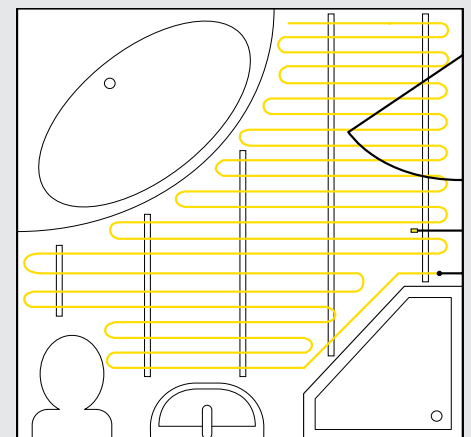


Vario kits include: Vario heating cable, programmable thermostat (5259), Vario fixing strip, cloth tape, floor sensor, conduit, mat monitor and detailed instructions.

5 Reasons to choose Vario EZ

- ✓ Premium TwistedTwin heating cable
- ✓ Patented, time saving fixing strip
- ✓ Low profile, lay flat cold tail connection
- ✓ A fast professional solution
- ✓ Lifetime warranty

Easy installation in small areas



Typical Vario™ EZ heating cable configuration in a small bathroom using the fixing strip.



Terms & Conditions apply.

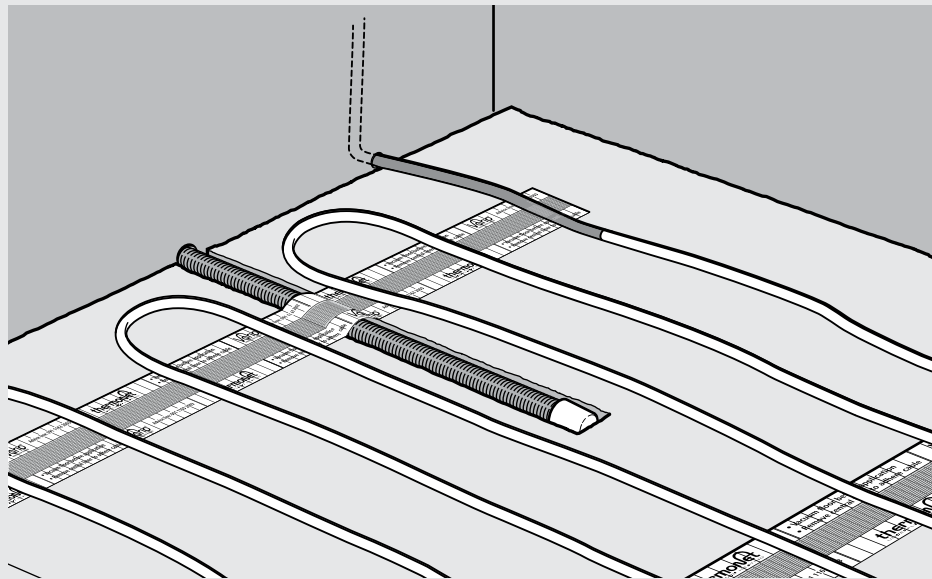


The most advanced heating cable

Choosing Vario®EZ ensures you're using the most advanced cable available. Installing a reliable system under your customers' floors gives you peace of mind and the satisfaction of insisting on quality.



The unique fixing strip and stress free TwistedTwin cable ensures Vario®EZ kits stick to your substrate and lay flat every time. Vario®EZ kits also feature a low profile 5 metre cold tail connection.



How to calculate Vario™ EZ cable spacing

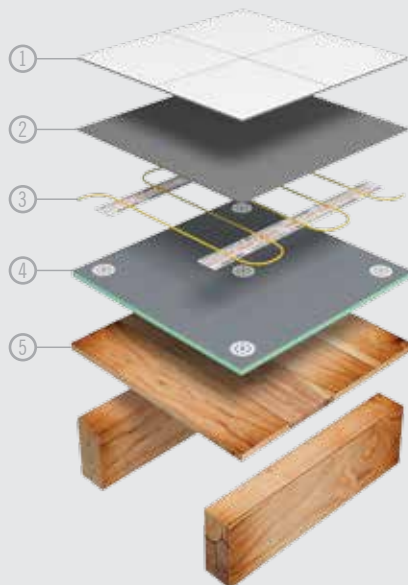
$$\frac{\text{AVAILABLE FLOOR SPACE (M}^2\text{)} \times 100}{\text{CABLE KIT LENGTH (M)}} = \text{CABLE SPACING (CM)}$$



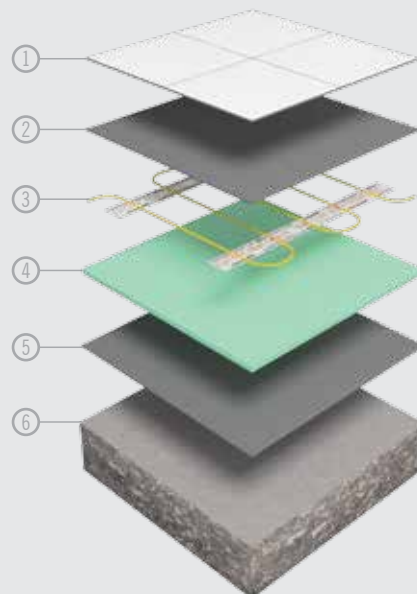
Our superior TwistedTwin cable is unique in Australia. You'll find marginally thinner cables, but you won't find better quality.



Operating our own factory in Germany gives us complete control over the entire manufacturing and testing of Vario®. This ensures we always provide you with the very best electric underfloor heating systems money can buy.



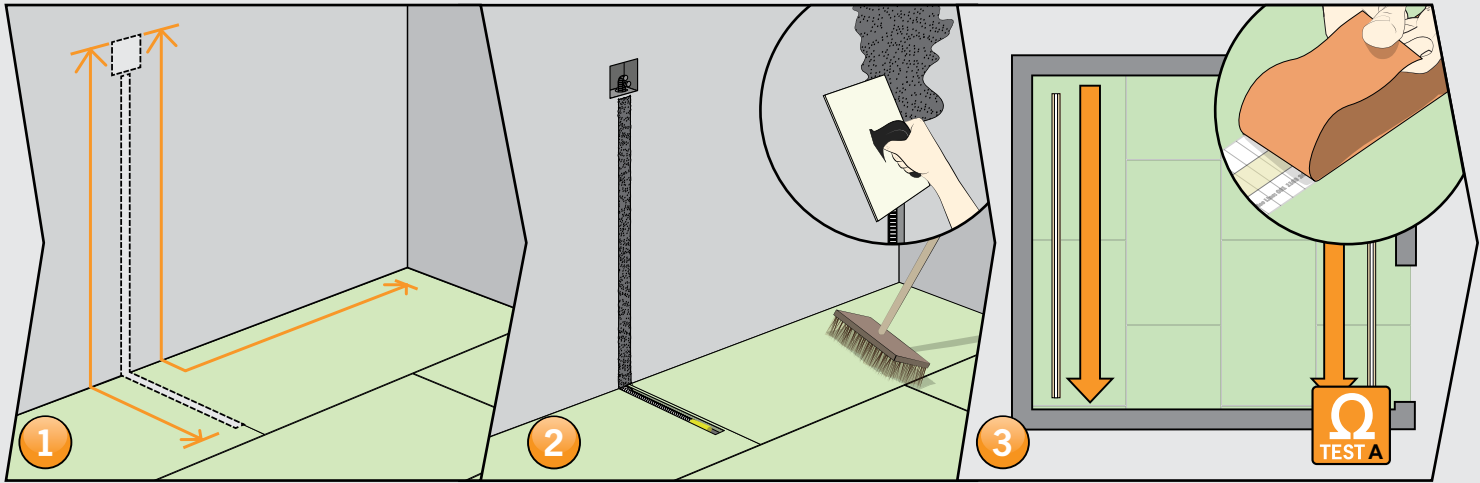
- ① Tiled floor finish
- ② Flexible tile adhesive
- ③ Vario EZ cable kit
- ④ Econoboard coated insulation
- ⑤ Timber substrate



- ① Tiled floor finish
- ② Flexible tile adhesive
- ③ Vario EZ cable kit
- ④ Econoboard uncoated insulation
- ⑤ Flexible tile adhesive
- ⑥ Prepared concrete substrate



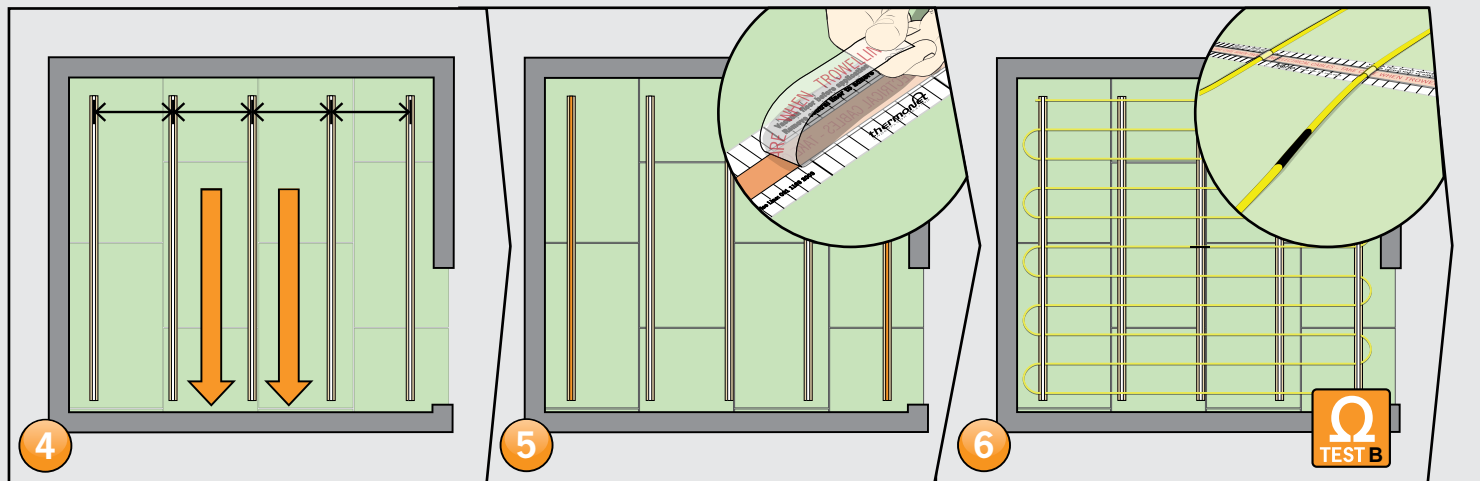
We're so confident in the quality of each Vario®EZ kit that we give every system a warranty that lasts for a lifetime.



Step 1: Plan back box and conduit positions

Step 2: Make good and clean your substrate

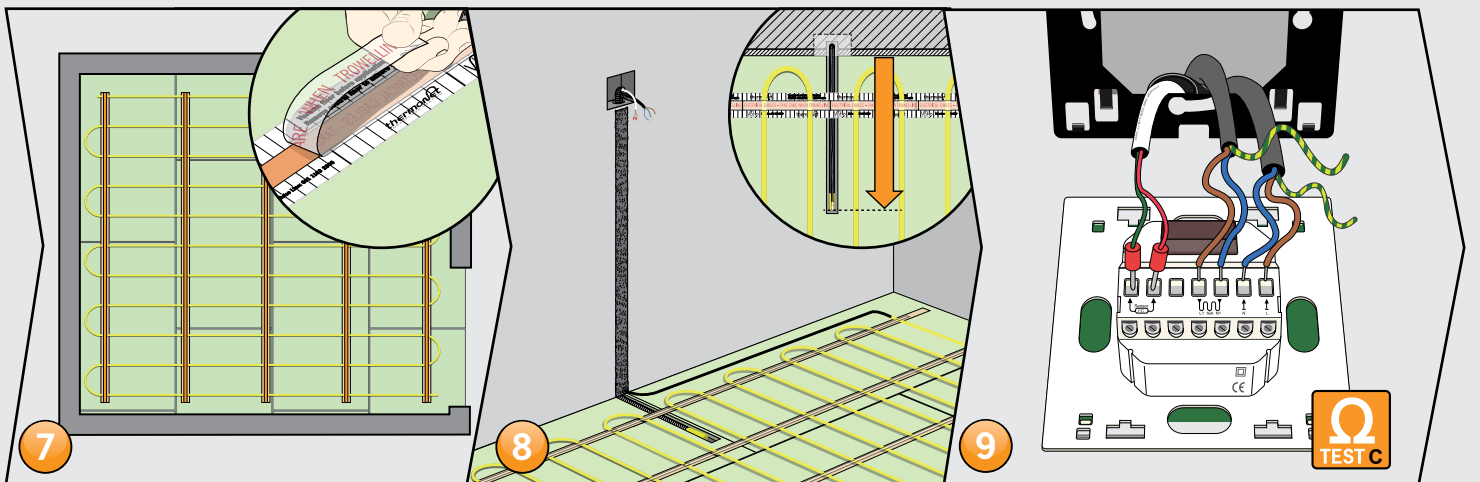
Step 3: Lay your first and last fixing strips



Step 4: Lay remaining fixing strips

Step 5: Peel off adhesive cover strip

Step 6: Lay the Vario cable.
Pay attention to the half way point in the cable.
Make sure this is half way through your installation.

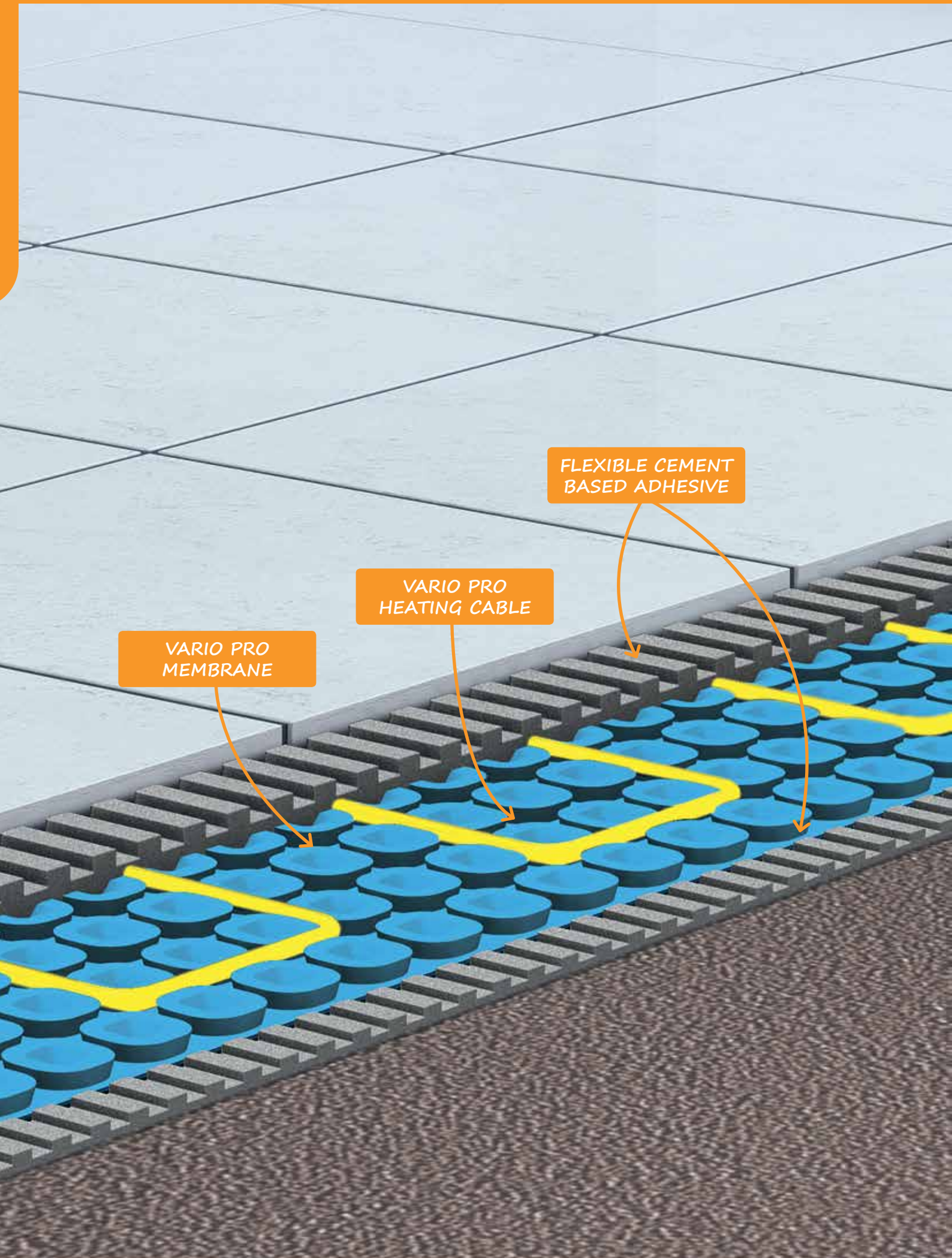


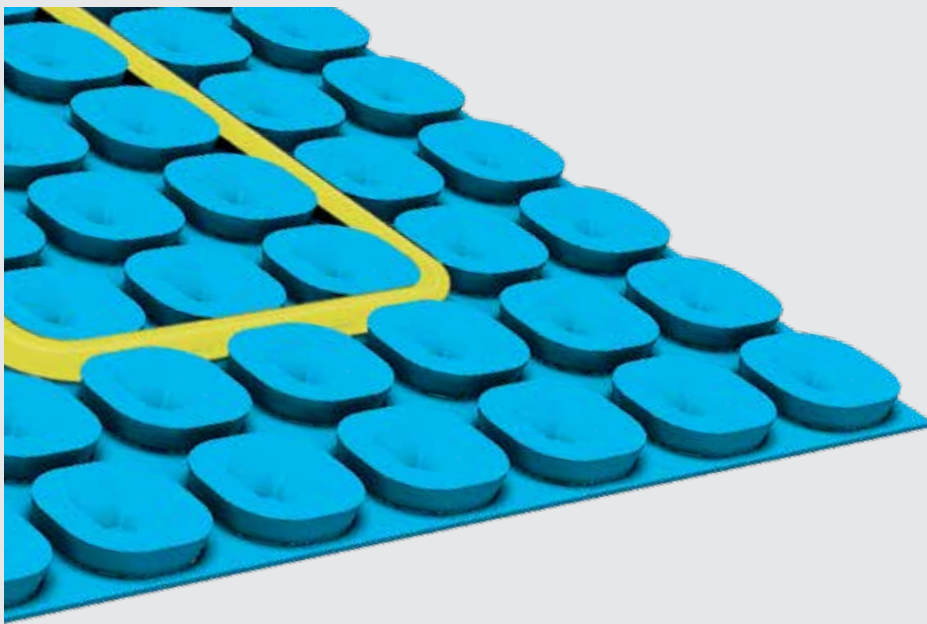
Step 7: Re-apply adhesive covers

Step 8: Install cold tail and sensor probe

Step 9: Wire thermostat (5259)

Important: The images on this page are for illustrative purposes only and must not be used as a substitute for the relevant product installation manuals.





More innovation brought to you by Thermogroup

The original revolutionary patented system combining electric underfloor heating with an uncoupling, crack isolation and waterproofing membrane.

A fast track flooring solution

Prepare your substrate and install electric underfloor heating all in one hit!

5 Reasons for Vario ProMat

- ✓ Uncoupling membrane
- ✓ Waterproofing membrane
- ✓ Simple, fast cable installation
- ✓ Only 5.5mm thick
- ✓ Use with a flexible cement based adhesive

Vario™ PRO - Cable only

STOCK NO	DESCRIPTION	AREA M2 (130W/M2)	AREA M2 (195W/M2)	LENGTH M	OUTPUT W	RRP EXCL \$	RRP INCL \$
109012	Vario PRO Cable	1.14	0.77	12	150	317.27	349.00
109018	Vario PRO Cable	1.71	1.15	18	225	344.55	379.00
109025	Vario PRO Cable	2.38	1.60	25	300	399.09	439.00
109031	Vario PRO Cable	3.04	2.05	31	375	435.45	479.00
109037	Vario PRO Cable	3.52	2.37	37	450	508.18	559.00
109050	Vario PRO Cable	4.75	3.20	50	600	653.64	719.00
109062	Vario PRO Cable	5.80	3.90	61	750	853.64	939.00
109075	Vario PRO Cable	7.13	4.80	75	900	953.64	1,049.00
109100	Vario PRO Cable	9.50	6.40	100	1200	1,268.18	1,395.00
109125	Vario PRO Cable	11.88	8.00	125	1500	1,490.00	1,639.00
109150	Vario PRO Cable	14.25	9.60	150	1800	1,753.64	1,929.00
109200	Vario PRO Cable	19.00	12.80	200	2400	2,508.18	2,759.00

The areas detailed in the table above are designed to give an output of 130W/m² at 3 notches spacing and 195W/m² spacing at 2 notches spacing

Remember to order your chosen heating cable, a thermostat and enough Vario ProMat (109500) for your floor!

Vario™ ProMat Uncoupling Membrane

STOCK NO	DESCRIPTION	SIZE M	AREA M2	RRP EXCL \$	RRP INCL \$
109500	Vario ProMat Uncoupling Membrane	15 x 1.0	15	908.18	999.00
109510	Vario PRO Sealing Tape	50.0		162.73	179.00

The complete PRO solution

Applying an uncoupling membrane combined with under tile heating leaves both you and your customer with a complete professional solution. The floor will be warm and comfortable, and the installer knows there will be no uncoupling or crack issues later down the line.

The heating cable

The TwistedTwin Vario PRO heating cable is installed in the membrane, in areas where heat is required. You can then begin to tile directly over the ProMat and heating cable.

Our superior TwistedTwin cable is unique in Australia and you won't find a better quality underfloor heating cable.





VarioPRO

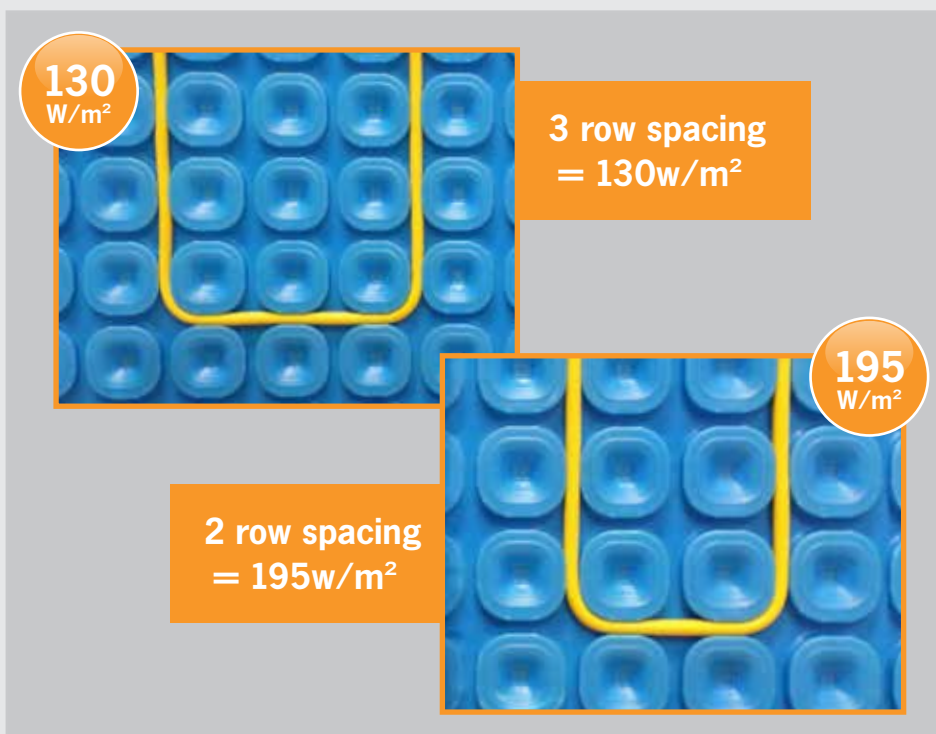
UNDERFLOOR HEATING

How do I work out what I need?

1. Calculate the total floor space in M²
2. Select the appropriate number of rolls of Vario ProMat to fully cover this area. (One roll will cover up to 15m²)
3. Calculate the area of the floor in M² that you intend to heat
4. Compare the heating area against the chart on Pg. 27 and select the appropriate heating cable from the list
5. Choose a thermostat from pages (42 - 48)

The Solution For...

- ① Renovation of old screeds
- ② Additional zone heating over wet UFH
- ③ New anhydrite screeds



The Vario ProMat membrane

Thanks to the uncoupling protection and crack isolating properties of the Vario ProMat uncoupling membrane, it is possible to install an electric underfloor heating system over a variety of difficult substrates such as chipboard, green or cracked screeds.

Easy cable installation

With the Vario ProMat membrane and heating cable system, you can choose exactly where you want to have your heating system. You can enjoy heat where you want it, when you want it, reducing the operating cost of the overall system while increasing the comfort and value of your home.

A watertight solution

Vario PRO is a fully waterproof membrane and by sealing the joints and edges with a cement based waterproof substance and Vario PRO Sealing Tape you can create a fully watertight solution.

Simple, fast and flexible underfloor heating installation!



Terms & Conditions apply.

Why do I need an uncoupling layer?

The problem:



All floors, especially new ones, expand and contract with changes in the temperature of the building.

Typically a floor tile will expand and contract at a different rate to the tile adhesive and sub floor below.

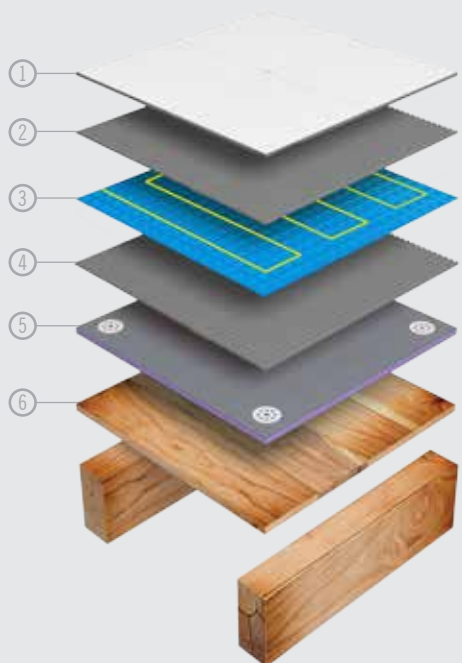
This lateral movement causes stress and often results in cracked tiles and delamination (tiles coming away from the floor).

The solution:

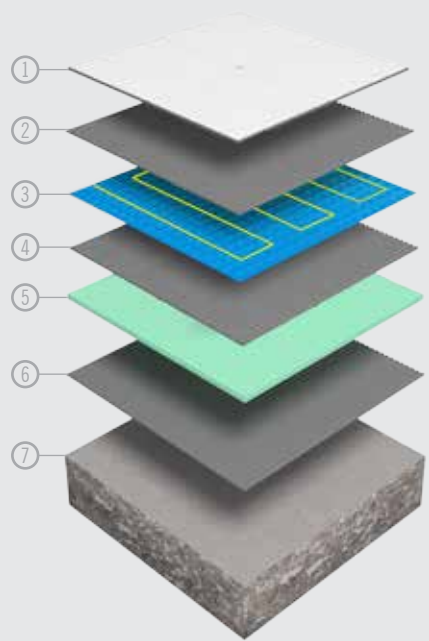


Introducing a layer of Vario PRO uncoupling membrane (or "crack mat / anti fracture mat" as it is sometimes called) helps to prevent cracks and delamination by neutralising the stress between the tiled surface and the sub floor.

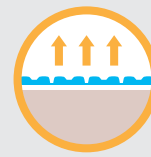
The structure of the Vario ProMat flexes to allow all parts of the floor build up to move slightly, without causing cracks and delamination. Vario PRO cannot prevent damage from sheer movement.



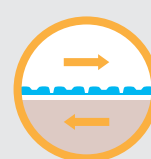
- ① Tiled floor finish
- ② Flexible tile adhesive
- ③ Vario PRO system
- ④ Flexible tile adhesive
- ⑤ EconoBoard Coated Insulation
- ⑥ Timber substrate



- ① Tiled floor finish
- ② Flexible tile adhesive
- ③ Vario PRO system
- ④ Flexible tile adhesive
- ⑤ EconoBoard Uncoated Insulation
- ⑥ Flexible tile adhesive
- ⑦ Concrete substrate



Underfloor heating
Vario ProMat is designed to make it easy to install electric underfloor heating and an uncoupling membrane with one fast track solution.



Uncoupling technology
Vario ProMat neutralises movement between the substrate and floor finish preventing delamination and cracking commonly associated with tiled floors.



Vapour management
The cavities below Vario ProMat create space for water evaporation making it possible to install on substrates that are not perfectly cured.



Waterproofing
Vario ProMat is totally waterproof, and by using Vario PRO sealing tape on edges and penetrations you can create a wetroom quickly and easily.



Load distribution
The dimples in Vario ProMat evenly distribute concentrated floor loads from the tiles directly onto the substrate.



USE UNDER
FLOATING FLOORS

ONLY 2.5MM
THICK



With full earth shield technology

Stunningly effective and simple to install, Thermofoil PRO is another leading product in the Australian floor heating market.

5 Reasons for Thermofoil PRO

- ✓ Full earth braid protection for safety
- ✓ Fast, easy cut and return installation
- ✓ Fast track flooring solution
- ✓ Guaranteed heat output per m²
- ✓ Suitable for most floor coverings



Laminate and engineered timber floors are becoming more and more popular because of their eco credentials and the natural look and feel of a wooden floor. Thermofoil PRO brings the ease and simplicity of electric underfloor heating to laminate flooring. The floor heating is approximately 2.5mm thick providing a streamline heating solution suitable for new builds and refurbishment projects. Thermofoil PRO can also be installed under floating floors such as vinyl and carpet when used in conjunction with Econospeed.

15 Year Warranty

We're so confident in the quality and resilience of Thermofoil PRO™ that we cover your system with a 15 year warranty when you register the system online.

Supplied with a 5 meter cold tail connection.

New earth shield for total safety

Thermofoil PRO™ features a fully protective earth braid to ensure total safety. This makes Thermofoil PRO™ suitable for use in areas where extra safety is required.

Simple cut and return installation

Unlike other foil heating systems, the heating cable loop ends are accessible allowing full cut and return flexibility, making installation quick and easy. The heating cables are accessible but 100% protected.

Unrivalled safety and protection

The unique safety features make Thermofoil PRO the best, safest underlamine heating system on the market today!

Thermofoil PRO™ 140 W/m² - Mat Only

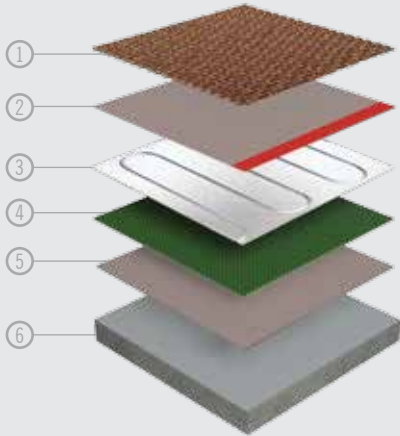
STOCK NO	SIZE M	AREA M2	OUTPUT W	RRP EXCL \$	RRP INCL \$
121402	2 x 0.5	1.0	140	217.27	239.00
121403	3 x 0.5	1.5	210	257.27	283.00
121404	4 x 0.5	2.0	280	302.73	333.00
121405	5 x 0.5	2.5	350	335.45	369.00
121406	6 x 0.5	3.0	420	376.36	414.00
121408	8 x 0.5	4.0	560	499.09	549.00
121410	10 x 0.5	5.0	700	562.73	619.00
121412	12 x 0.5	6.0	840	617.27	679.00
121414	14 x 0.5	7.0	980	699.09	769.00
121416	16 x 0.5	8.0	1120	762.73	839.00
121418	18 x 0.5	9.0	1260	831.82	915.00
121420	20 x 0.5	10.0	1400	870.00	957.00
121424	24 x 0.5	12.0	1680	999.09	1,099.00

Thermofoil™ PRO Accessories Choose your thermostat on Pg. 42 - 48

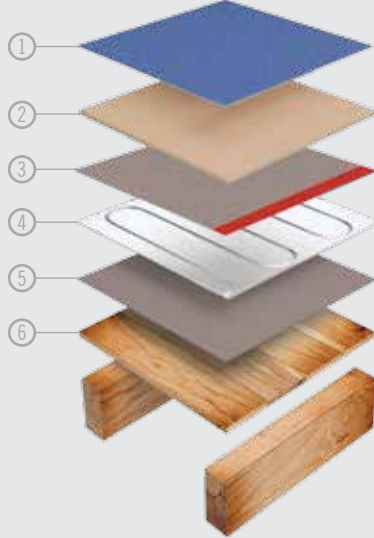
STOCK NO	DESCRIPTION	UNIT	RRP EXCL \$	RRP INCL \$
5400	Rigid Insulation Board	(1200 x 500 x 5mm) 6m ²	90.00	99.00
5415	Vapour Barrier	20m ²	71.82	79.00
5418	Fixing Tape	50Lm	26.36	29.00
5422	Econosoft Acoustic Barrier	15m x 1m	308.18	339.00
5676	Aluminium Tape	50mm x 50m	44.55	49.00

FIFTEEN YEAR WARRANTY **15**

Terms & Conditions apply.



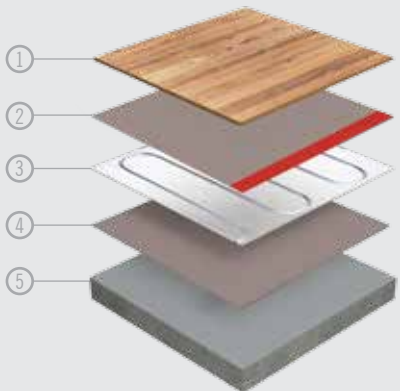
- ① Low tog carpet
- ② Econosoft acoustic barrier (5422)
- ③ Thermofoil PRO heating mat
- ④ Underlay
- ⑤ Optional Rigid insulation board (5400)
- ⑥ Concrete substrate



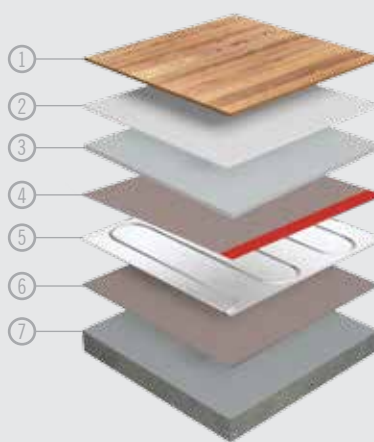
- ① Vinyl floor finish
- ② Econospeed overlay (5420)
- ③ Econosoft acoustic barrier (5422)
- ④ Thermofoil PRO heating mat
- ⑤ Rigid insulation board (5400)
- ⑥ Timber substrate



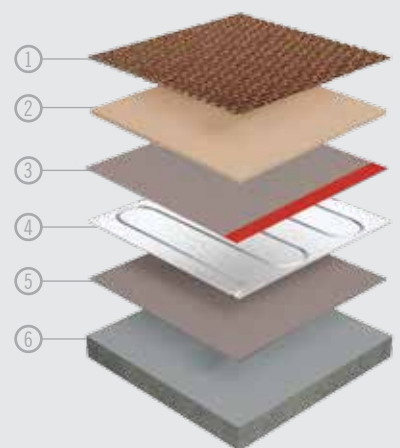
- ① Floating timber floor finish
- ② Econosoft acoustic barrier (5422)
- ③ Thermofoil PRO heating mat
- ④ Rigid insulation board (5400)
- ⑤ Econoboard coated insulation board
- ⑥ Timber substrate



- ① Floating timber floor finish
- ② Econosoft acoustic barrier (5422)
- ③ Thermofoil PRO heating mat
- ④ Rigid insulation board (5400)
- ⑤ Concrete substrate



- ① Solid timber floor boards
- ② Adhesive
- ③ Econoscreed overlay (5423)
- ④ Econosoft acoustic barrier (5422)
- ⑤ Thermofoil PRO heating mat
- ⑥ Rigid insulation board (5400)
- ⑦ Concrete substrate



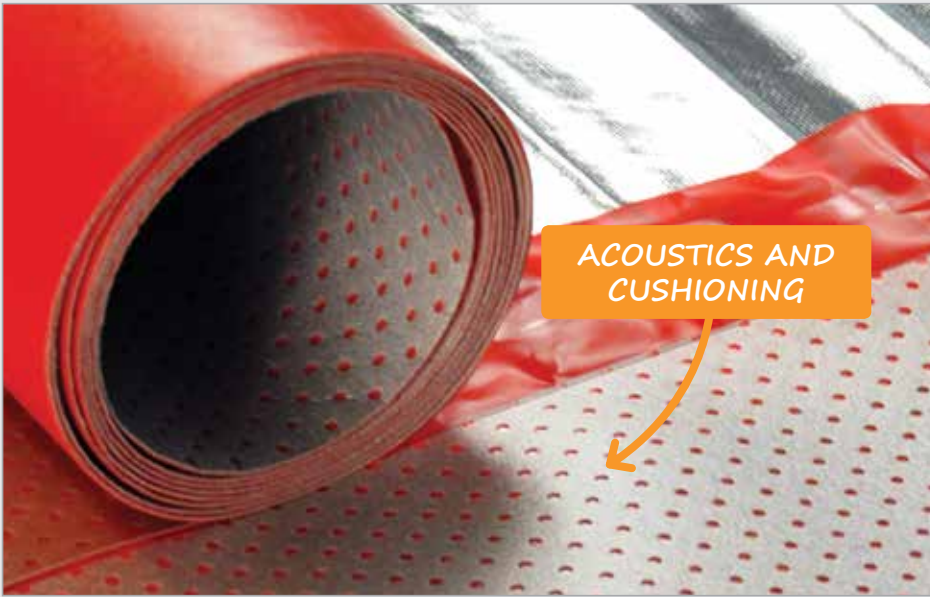
- ① Glued carpet tile floor finish
- ② Econospeed overlay (5420)
- ③ Econosoft acoustic barrier (5422)
- ④ Thermofoil PRO heating mat
- ⑤ Rigid insulation board (5400)
- ⑥ Concrete substrate



Terms & Conditions apply.

thermofoil

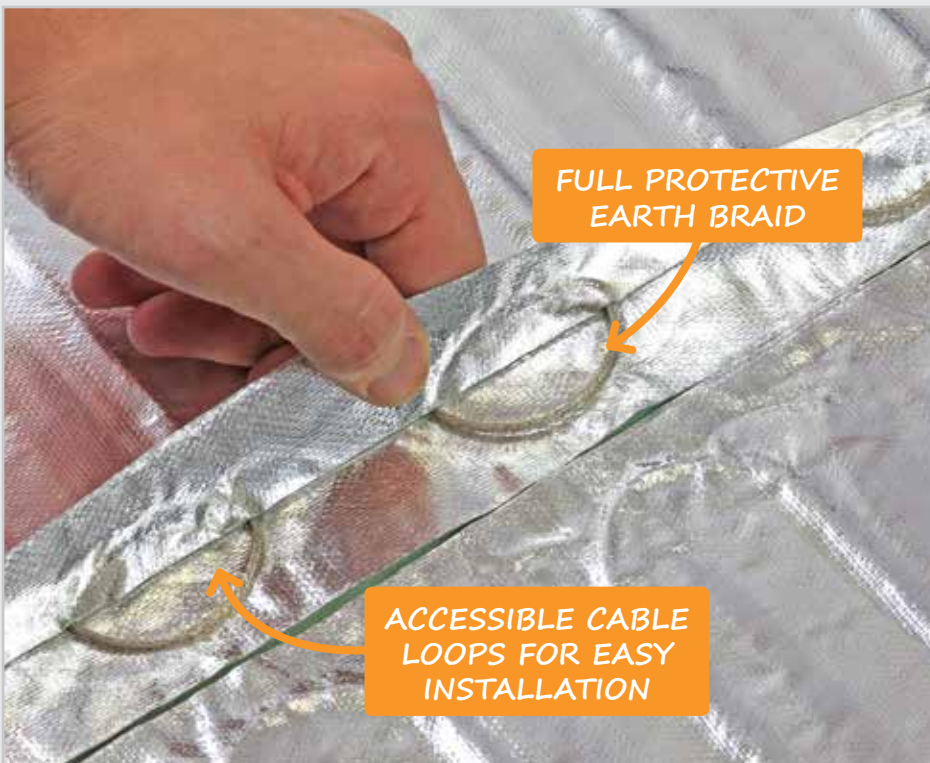
UNDERLAMINATE FOIL



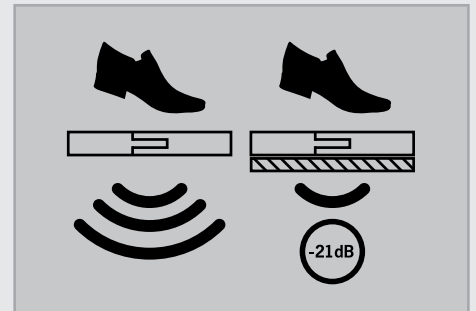
Econosoft Acoustic Barrier

Econosoft acoustic barrier (5422) should be used with every Thermofoil PRO installation. The Econosoft layer provides cushioning for the heating cables and acts as an abrasion layer to protect the heating elements from any wear that could be caused by movement in a floating floor build up.

Econosoft also has acoustic properties and the cushioning layer will reduce impact sound by as much as 21dB when used with a suitable underlay such as our rigid insulation board (5400).



Acoustic floors



When an acoustic insulation layer is installed below the floor finish, impact sound is absorbed and noise pollution is greatly reduced.

Rigid insulation board



Every Thermofoil PRO installation should include a layer of rigid insulation board (5400) under the heating element. This layer acts as a 5mm cushion under the heating element to protect it from any damage that could be caused by moving over the substrate.

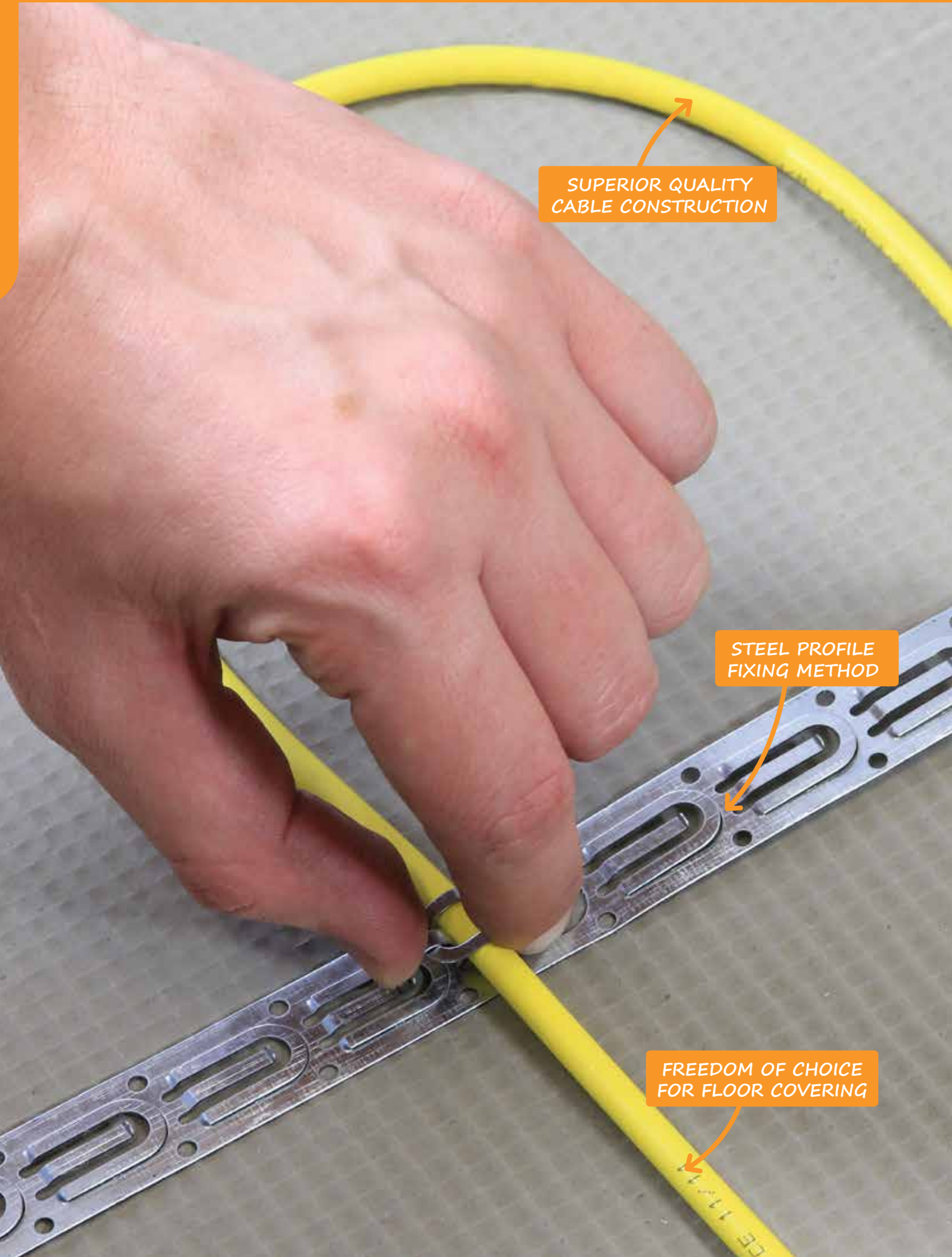
Vapour Barrier

Vapour Barrier is an alternative for Econosoft Acoustic Barrier that prevents the heating from draining the moisture out of the floor. It also acts as an abrasion layer, however does not have any acoustic properties.

Thermofoil™ PRO Accessories Choose your thermostat on Pg. 42 - 48

STOCK NO	DESCRIPTION	UNIT	RRP EXCL \$	RRP INCL \$
5400	Rigid Insulation Board	(1200 x 500 x 5mm) 6m ²	90.00	99.00
5415	Vapour Barrier	20m ²	71.82	79.00
5418	Fixing Tape	50Lm	26.36	29.00
5422	Econosoft Acoustic Barrier	15m x 1m	308.18	339.00
5676	Aluminium Tape	50mm x 50m	44.55	49.00





SUPERIOR QUALITY
CABLE CONSTRUCTION

STEEL PROFILE
FIXING METHOD

FREEDOM OF CHOICE
FOR FLOOR COVERING



thermoscreed
IN SCREED HEATING CABLE



In screed Heating Systems

In screed heating systems are extremely versatile in their application as they are suitable for use with any floor covering. Putting a screed over the heating system before tiling also ensures there is minimal risk of damage and a flat surface onto which the floor finish can be installed.

Now Available in Loose Wire and Matting Systems!

Thermogroup now has both a loose wire and matting system that is designed for use in screeds of between 20-50mm thick. The loose wire screed cable can be installed in multiple ways (See diagrams below) and is ideal for small and awkward areas or when wanting to achieve a greater heat output. The matting system however ensures an even cable spacing and heat output and fast installation using the simple cut and return process.

In Screed Accessories

Both the loose wire and matting systems require the addition of both the Edge Insulation Strip and a Thermostat (See page 42 - 48).

The matting system is very quick and easy to install on any substrate due to the self-adhesive mesh however the loose wire system requires additional accessories in order to fix the heating cable to the floor – see options below.

Edge Insulation Strip

All screeds will expand and contract with changes in temperature and therefore it is recommended that the edge insulation strip is installed around the perimeter of the room and around any fixtures to allow for the expansion and contraction of the screed. Required for both matting and loose wire systems.



3225

Galvanised Fixing Profile

The steel fixing profile is mechanically fixed to your substrate and cable is held in place with the easy to use cable clips over the area that you want heated. The cables should be equally spaced across the substrate and run from end to end.



3259

In Screed Fixing for Waterproof Substrates

Thermogroup provides two fixing options for adhering the loose wire, in screed heating system to waterproofed substrates as the waterproofing cannot be penetrated by any mechanical fixing methods (Such as the Galvanised Fixing Profile). The self-adhesive In Screed matting system can be stuck directly to the waterproofing.

In Screed Cable Mesh

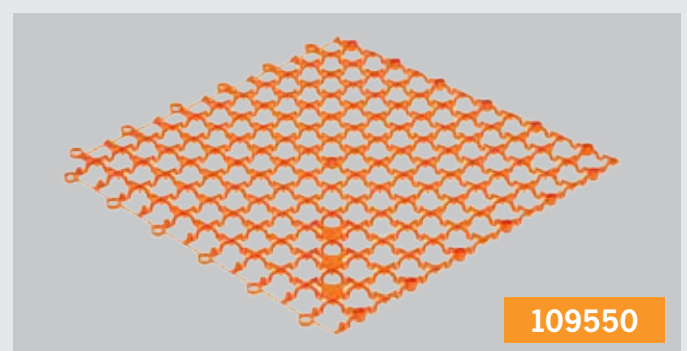
In Screed Cable Mesh is designed to be simply loose laid over the substrate or waterproofing. The heating cable is then laid over the mesh and secured using strands of the mesh twisted over the cable.



3261

Vario Ply Grid

Vario Ply Grid is a 600mm square connecting grid system which loose lays over the waterproofing. The heating cable simply clips into the grid providing a quick and easy installation.

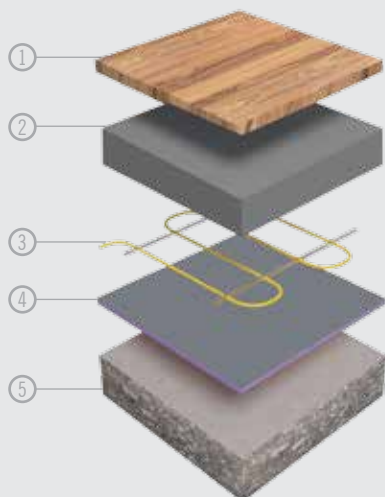


109550



Versatile in screed heating cable

Thermoscreed™ 18W/Lm is a brilliantly versatile, robust 5.5mm floor heating cable designed for use in screed.



- ① Laminate floor or engineered board
- ② Levelling compound or screed
- ③ Thermoscreed system
- ④ Econoboard Coated Insulation Board
- ⑤ Concrete substrate

How much fixing profile?

If you are using our galvanised fixing profile you will need to allow 1m of profile for every 6m of cable. Total $1m / 6 = m$ required (25m rolls).

What about cable spacing?

Use the simple equation to calculate spacing:

$$\frac{\text{Available floor space (m}^2\text{)} \times 100}{\text{Total cable length}} = \text{Spacing (cm)}$$



5.5mm in screed heating cable ideal for new build projects

Thermoscreed 18W/Lm - Cable Only

STOCK NO	AREA M2	SIZE LM	OUTPUT W	RRP EXCL \$	RRP INCL \$
3050	1 - 1.5	11.0	200	135.45	149.00
3051	1.5 - 2	16.5	300	162.73	179.00
3052	2 - 2.5	22.0	400	208.18	229.00
3053	2.5 - 3.5	27.5	500	244.55	269.00
3054	3.5 - 4	33.0	600	290.00	319.00
3055	4 - 5	39.0	700	329.09	362.00
3056	5 - 6	45.0	850	362.73	399.00
3057	6 - 7	55.0	1000	426.36	469.00
3058	7 - 8	69.0	1250	526.36	579.00
3059	8 - 9	76.0	1375	617.27	679.00
3060	9 - 11	94.0	1700	717.27	789.00
3061	11 - 14	116.0	2100	762.73	839.00
3062	14 - 17	144.0	2600	1,044.55	1,149.00
3063	17 - 24	183.0	3300	1,453.64	1,599.00

Thermoscreed Cable Fixing Accessories Choose your thermostat on Pg. 42 - 48

STOCK NO	DESCRIPTION	UNIT	RRP EXCL \$	RRP INCL \$
109550	Vario PLY Grid	0.6 x 0.6 (8 pk) 2.88m ²	90.00	99.00
3261	In Screed Cable Mesh	1.2 x 5m roll	40.00	44.00
3225	Edge Insulation Strip	50m x 80mm x 8mm roll	126.36	139.00
3259	Galvanised Fixing Profile	25m roll	90.00	99.00





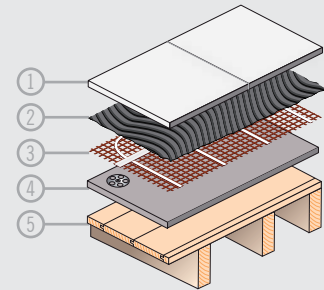
COMFORTZONE

Quality Electric Underfloor Heating

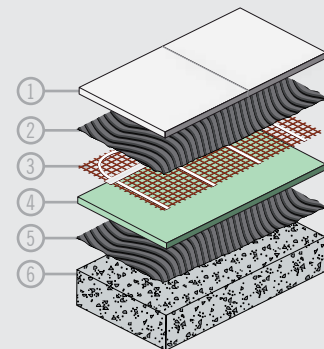
In Screed Matting System

Comfortzone 200W Electric Matting System is designed to be installed in a screed of between 20-50mm thick.

When installed under a 20-50mm screed Comfortzone 200W can be covered by any floor finish.



- ① Floor tiles
- ② Sand & cement screed
- ③ Comfortzone 200W system
- ④ Econoboard Coated Insulation
- ⑤ Timber Substrate



- ① Floor tiles
- ② Sand & cement screed
- ③ Comfortzone 200W system
- ④ Econoboard Uncoated Insulation
- ⑤ Flexible Tile Adhesive
- ⑥ Concrete Substrate

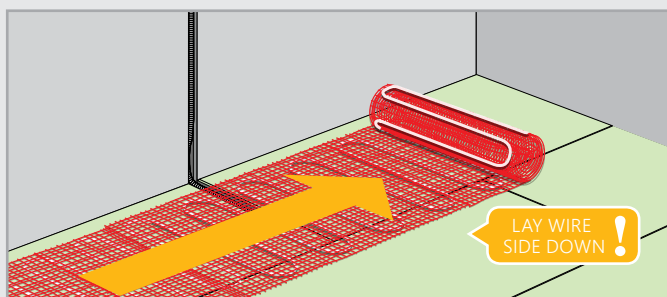
Comfortzone 200W/M² Matting System

STOCK NO	SIZE M	AREA M2	OUTPUT W	RRP EXCL \$	RRP INCL \$
118550	2 x 0.5	1.0	200	144.55	159.00
118552	3 x 0.5	1.5	300	153.64	169.00
118554	4 x 0.5	2.0	400	190.91	210.00
118556	5 x 0.5	2.5	500	217.27	239.00
118558	6 x 0.5	3.0	600	290.00	319.00
118560	8 x 0.5	4.0	800	371.82	409.00
118562	10 x 0.5	5.0	1000	426.36	469.00
118564	12 x 0.5	6.0	1200	562.73	619.00
118566	16 x 0.5	8.0	1600	753.64	829.00
118568	20 x 0.5	10.0	2000	835.45	919.00
118570	24 x 0.5	12.0	2400	1,126.36	1,239.00

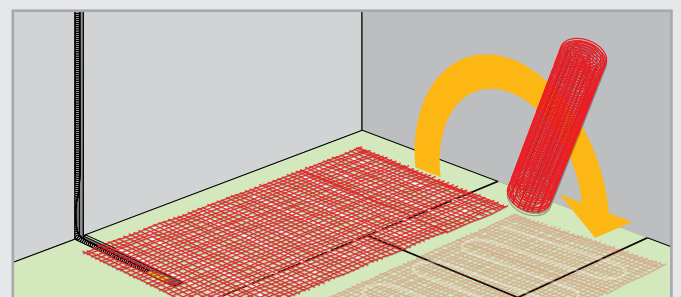
Comfortzone 200W Accessories Choose your thermostat on Pg. 42 - 48

STOCK NO	DESCRIPTION	UNIT	RRP EXCL \$	RRP INCL \$
3225	Edge Insulation Strip	50m x 80mm x 8mm roll	126.36	139.00

TEN YEAR WARRANTY 10



Roll out the heating mat and adhere to insulation or substrate.



When you reach the wall, cut the mesh, turn the mat, and begin rolling in the desired direction.



IN SLAB HEATING

CABLE TIE TO CONCRETE MESH



Versatile in-slab heating cable

Thermoduo™ is a brilliantly versatile, robust 7mm thick underfloor heating cable designed for use in-slab.

Install the cable in the concrete slab of new builds to create an energy efficient thermal mass under your floor.

5 Reasons to choose Thermoduo

- ✔ Robust 7mm cable for use in-slab
- ✔ 30W/Lm for use in concrete slabs
- ✔ Simple, fast installation
- ✔ Can be used with off peak electricity
- ✔ 25 year cable warranty



7mm in slab heating cable ideal for new build projects

Thermoduo™ 30W/Lm Cable

STOCK NO	DESCRIPTION	SIZE LM	OUTPUT W	RRP EXCL \$	RRP INCL \$
3140	Thermoduo 30W/Lm	29	850	344.55	379.00
3142	Thermoduo 30W/Lm	38	1100	380.91	419.00
3144	Thermoduo 30W/Lm	47	1400	432.73	476.00
3146	Thermoduo 30W/Lm	57	1700	508.18	559.00
3148	Thermoduo 30W/Lm	67	2000	526.36	579.00
3150	Thermoduo 30W/Lm	75	2250	590.00	649.00
3152	Thermoduo 30W/Lm	84	2500	622.73	685.00
3154	Thermoduo 30W/Lm	94	2800	704.55	775.00
3156	Thermoduo 30W/Lm	112	3350	768.18	845.00
3158	Thermoduo 30W/Lm	134	4000	926.36	1,019.00
3160	Thermoduo 30W/Lm	150	4500	1,135.45	1,249.00
3162	Thermoduo 30W/Lm	168	5000	1,318.18	1,450.00
3164	Thermoduo 30W/Lm	200	6000	1,480.91	1,629.00

Enhance Every Project

Enhance your project with Thermoduo™ electric underfloor heating. The Thermonet® feeling brings you the ultimate in comfort, luxury and after sales backup.

Easy Installation

In new build applications you can simply cable tie the heating cable to the concrete mesh before pouring the concrete slab.

Use with Off Peak Electricity

Thermoduo™ In-slab Heating can be a very cost effective system in its own right, but you can unlock further savings by taking advantage of an off peak electricity tariff.

When taking advantage of off peak electricity only the 5250 Manual Thermostat can be used, as programmable thermostats will lose the program. However if demand power is being used then alternative thermostats are suitable to be used.

Thermoduo™ Accessories

STOCK NO	DESCRIPTION	UNIT	RRP EXCL \$	RRP INCL \$
3257	Cable Ties (140mm)	pk 100	5.36	5.90
5250	Manual Thermostat	Ea	144.55	159.00

Allow 3 cable ties for every 1m of cable

Other thermostat options are available on Pg. 42 - 48 (Demand power applications)



5250 Manual Thermostat

TWENTY FIVE YEAR WARRANTY

25



Thermotouch 4.3dC

Dual underfloor heating and towel rail control

WIFI OPTION AVAILABLE

5 SMART HEATING MODES

8 DISPLAY COLOUR OPTIONS



5246

DUAL RELAY CONTROL

EASY TO USE BOOST FUNCTION



Available in Ice White or Satin Black, with 8 display colour options



CONTROLS & ACCESSORIES

Thermotouch 4.3dC

Thermotouch 7.6iG

Thermostats

Accessories

Electrical Information



- Smart override function and temperature boost mode
- Wifi enabled models available with free iOS & Android apps
- Satin Black & Ice White models available
- Intelligent floor and ambient temperature sensors
- Dual relay for optional extra heater control

Control your underfloor heating and towel rail from one thermostat

The first dual control electric underfloor heating thermostat. Control your electric under floor heating and an additional appliance, such as an electric heated towel rail or mirror demister.

Stock Code	Wifi	Colour	Size (mm)	IP Rating	Max Combined Load	RRP EXCL \$	RRP INCL \$
5245	No	Ice White	129 x 88 x 48 (31mm in wall)	IP30	20A	362.73	399.00
5245W	Yes	Ice White	129 x 88 x 48 (31mm in wall)	IP30	20A	408.18	449.00
5246	No	Satin Black	129 x 88 x 48 (31mm in wall)	IP30	20A	404.55	445.00
5246W	Yes	Satin Black	129 x 88 x 48 (31mm in wall)	IP30	20A	450.00	495.00

thermotouch

DUAL CONTROL SYSTEM

Say hello to a unique new wifi thermostat that can control your underfloor heating and electric towel rail or mirror demister!

Thermotouch has been redesigned to deliver an easy to use electric underfloor heating thermostat that doesn't need a separate hub. Connects directly to your home wifi network!



Wifi enabled dual relay controls

Thermotouch 4.3dC has an additional 5A relay which can control an extra appliance such as an electric heated towel rail or mirror demister.



Multiple sensor compatibility

Thermotouch 4.3dC is compatible with the most popular floor sensor probes on the market making it suitable to upgrade your current thermostat.



Connect your wifi network and control from your smartphone

Connect Thermotouch 4.3dC to your wireless network and control from your iOS or Android device. Control from anywhere with an internet connection.



Economical heating schedule

Set up an energy efficient on demand heating schedule for your underfloor heating and an optional additional appliance.



Smart boost settings

Override your heating schedule for up to 4 hours with a simple touch of the screen. Thermotouch will then revert back to your heating program.

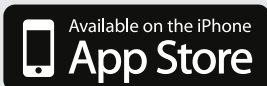
thermotouch

DUAL CONTROL SYSTEM



Download the MyThermotouch app from your app store today!

MyThermotouch is designed to give you full control over all of your wireless Thermogroup thermostats from one central application. The app is compatible with the Thermotouch 4.3dC wireless models and the new Themotouch 7.6cG Connected Glass range.



Search for "MyThermotouch" on the relevant app store to download the free app

thermotouch

DUAL CONTROL SYSTEM

Control all of your Thermogroup connected thermostats from one application, wherever you have an internet connection.

Our connected wifi thermostats connect directly to your wireless network without the need for an extra hub or networking knowledge. Its easy to connect multiple thermostats* to your network and control them from anywhere** via the MyThermotouch app.



iOS and Android apps

Download the app for your tablet or smartphone from the app store of your choice. The MyThermotouch app gives you full manual control and the ability to edit your heating schedule remotely.



No additional hub required

All of our connected thermostats link to your wireless network directly, which means you don't need to plug in an extra hub or change any network settings.



User friendly network connection

The simple connection process makes it easy to set up your new wifi thermostats and share connections with others quickly and easily.



Customise each room with a photo

Add your own photos to each thermostat on the app. Customise each room with a picture of your choice.



Wireless dual relay control

When used with the 5245W or 5246W the MyThermotouch app can be used to control the underfloor heating and additional towel rail relay remotely.

*The number of thermostats that can be connected differs depending on the capabilities of the specific router and network capacity as well as the fabric of the building.

**Internet connection required for wireless app control.

thermotouch

DUAL CONTROL SYSTEM



Thermotouch 7.6iG Glass Programmable Thermostat

The new 7.6iG Programmable Thermostat features an improved 7 day, 6 event heating schedule with 6 heating events on each weekend day. The piano black and ice white glass fascias and clean lines are a perfect match for any modern interior.

5 Reasons to choose Thermotouch 7.6iG

- ✓ 7 day, 6 event heating schedule
- ✓ Sleek glass fascia design
- ✓ White LED backlight
- ✓ Easy to use touch panel controls
- ✓ Floor and ambient temperature sensor

Stock No	Description	Size MM (W x H x D)	IP Rating	Max Load	RRP EXCL \$	RRP INCL \$
5220A	Thermotouch 7.6iG - White Glass	85 x 115 x 46 (26mm in wall)	IP30	16A	263.64	290.00
5220AW	Thermotouch 7.6cG Wifi - White Glass	85 x 115 x 46 (26mm in wall)	IP30	16A	309.09	340.00
5221	White Landscape Mounting Plate	115 x 86 x 5			20.00	22.00
5226A	Thermotouch 7.6iG - Black Glass	85 x 115 x 46 (26mm in wall)	IP30	16A	295.45	325.00
5226AW	Thermotouch 7.6cG Wifi - Black Glass	85 x 115 x 46 (26mm in wall)	IP30	16A	340.91	375.00
5223	Black Landscape Mounting Plate	115 x 86 x 5			20.00	22.00



Have full control over your electric underfloor heating system with the new and improved fully programmable thermostat

Thermotouch 7.6iG 7 day programmable thermostat is also available in a wifi enabled model and comes with an ice white or piano black glass fascia. Optional landscape mounting plate available.



Connect your wifi network and control from your smartphone

Connect Thermotouch 7.6iG to your wireless network and control from your iOS or Android device. Control from anywhere with an internet connection.



Fully programmable

The new Thermotouch 7.6iG Programmable Thermostat features an improved 7 day 6 event heating schedule with 6 heating events on the weekend days.



Portrait or landscape mounting

Thermotouch 7.6iG is supplied with a portrait backing plate as standard. However, if required you can purchase the landscape mounting plate.



Sensor mode

Thermotouch 7.6iG is supplied with a floor sensor probe and option for using an ambient sensor to ensure total control over your heating system.



Manual mode

Thermotouch 7.6iG also features a simple to use manual function that allows you to manually control the temperature of your underfloor heating.

thermostats

TOTAL SYSTEM CONTROL



5265 Programmable Control

The 5265 is a 7 day, 4 event, programmable thermostat which makes any underfloor heating system efficient and easy to fit around your busy lifestyle.

- LED back-lit screen display
- Full 7 day, 4 event programmable heating
- Fits on a standard electrical back box
- Intelligent Early Start feature
- Simple, easy controls
- Can control up to 16A UFH systems
- Buttons concealed behind faceplate doors
- 124H x 70W x 50D (20mm to wall)

Why choose the 5265?

The 5265 fits in with the style of any interior and provides ultimate control of your underfloor heating system. Rising energy costs are forcing us to be more careful about our energy use and the 5265 features a 7 day, 4 event programmable heating schedule which can be set up to provide efficient heating.



5259 Touchscreen Control

The 5259 is a slim line, unobtrusive underfloor heating thermostat with a responsive LCD touchscreen display.

- LED back-lit touchscreen display
- Full 7 day, 6 event heating schedule
- 90H x 86W x 43D (13mm to wall)
- Supplied with electrical back box
- Controls up to 16A UFH systems

Why choose the 5259?

Our fully programmable touchscreen underfloor heating thermostat will fit into any interior and provide ultimate control of your underfloor heating system.

The 5259 features a 7 day, 6 event programmable heating schedule which can be set up to provide efficient heating that fits perfectly with your lifestyle.



5250 Manual Control

The 5250 Manual Thermostat features a simple on/off switch and easy temperature adjustment dial.

- Simple on/off switch
- Suitable for use with off peak energy
- Floor sensor included
- Can be used with a C Bus System
- Control up to 16A UFH systems
- 86H x 86W x 50D (25mm to wall)
- Supplied with electrical back box

Why choose the 5250?

The 5250 is a simple, manual underfloor heating controller that is ideal for use with heating systems that are connected to an off peak electricity supply.

It is also suitable for installation in conjunction with C Bus Systems.

Thermostats

STOCK NO	DESCRIPTION	MAX LOAD	RRP EXCL \$	RRP INCL \$
5265	7 Day Programmable Thermostat	16A	271.82	299.00
5259W	Touchscreen Programmable Thermostat White	16A	271.82	299.00
5250	Manual Thermostat	16A	144.55	159.00



6025 Mat Monitor



5270 Slimline Connection Repair Kit



6026 Spray Adhesive (10m²)



25A, 40A, 63A Contactor



5281 Snubber



5266 Floor Sensor Probe

Electrical Accessories

STOCK NO	DESCRIPTION	UNIT	RRP EXCL \$	RRP INCL \$
6025	Mat Monitor	ea	35.45	39.00
5270	Slimline Repair Kit	ea	17.27	19.00
6026	Spray Adhesive 500ml (10m ²)	ea	30.00	33.00
5279	25A Contactor/Snubber 5700W	ea	133.64	147.00
5280	40A Contactor/Snubber 9000W	ea	205.45	226.00
5286	63A Contactor/Snubber 14440W	ea	226.36	249.00
5281	Snubber	ea	26.36	29.00
5266	Floor Sensor Probe (10kΩ)	ea	17.27	19.00
5267	Flexible Conduit Kit	1.8 Lm	22.73	25.00
6994	Plastic Single Back Box	ea	9.00	9.90
5274	Metal Back Box	ea	9.00	9.90
5412	Cold Tail Extension Wire	Lm	9.00	9.90
5410	Cold Tail Extension Kit	ea	17.27	19.00



Metal & Plastic Back Box

The 5259W comes with a plastic back box as standard and can be changed to metal upon request.

Back Boxes can be used instead of the mounting plate for Thermostouch 7.6iG.



Installing a sensor conduit

Each of our thermostats come with a 1.8m length of sensor conduit in the box. Install the sensor conduit to ensure the temperature sensor probe can be removed and replaced at a later date, should the need arise.

Some installers prefer to install a second temperature sensor as a spare and leave it disconnected. You can purchase an additional sensor probe using the stock code 5266 (Pg. 49).

Accurate sensor position

The floor temperature sensor should be installed in an area that accurately represents the temperature of the floor.

Sensors should not be installed near external temperature influences such as hot or cold water pipes, other heating applications or large glazed elevations prone to heat loss. Doing so can influence the temperature readings and cause your thermostat to adjust the heating to compensate resulting in irregular heating behavior that could be expensive.

An ideal position for the floor temperature sensor is close to an interior door way as these areas are usually kept clear.

Can you shorten a heating cable?

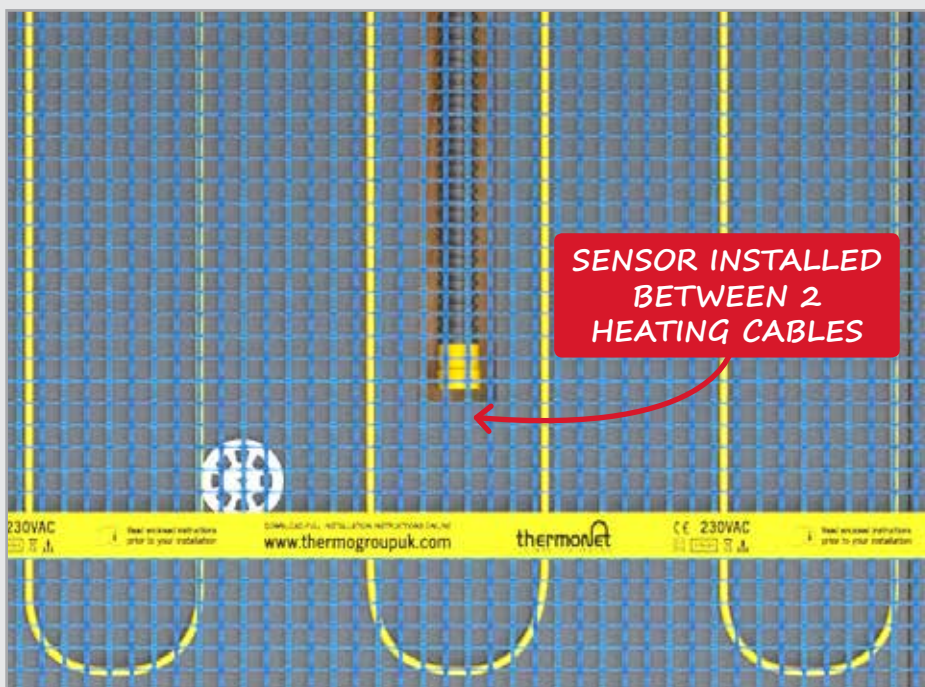
No! The heating cables should never be cut or shortened. If you do accidentally cut or damage the heating cable it can be repaired, but please call our technical team on 1300 368 631 before attempting any repairs. The black cold tail cable may be shortened.

Do I need to earth the system?

Yes! The earth should be connected to the earth terminal in the back of a back box and the system connected to an RCD protected circuit. It is the electricians responsibility to ensure that all electrical work is fully compliant with the latest local regulations.

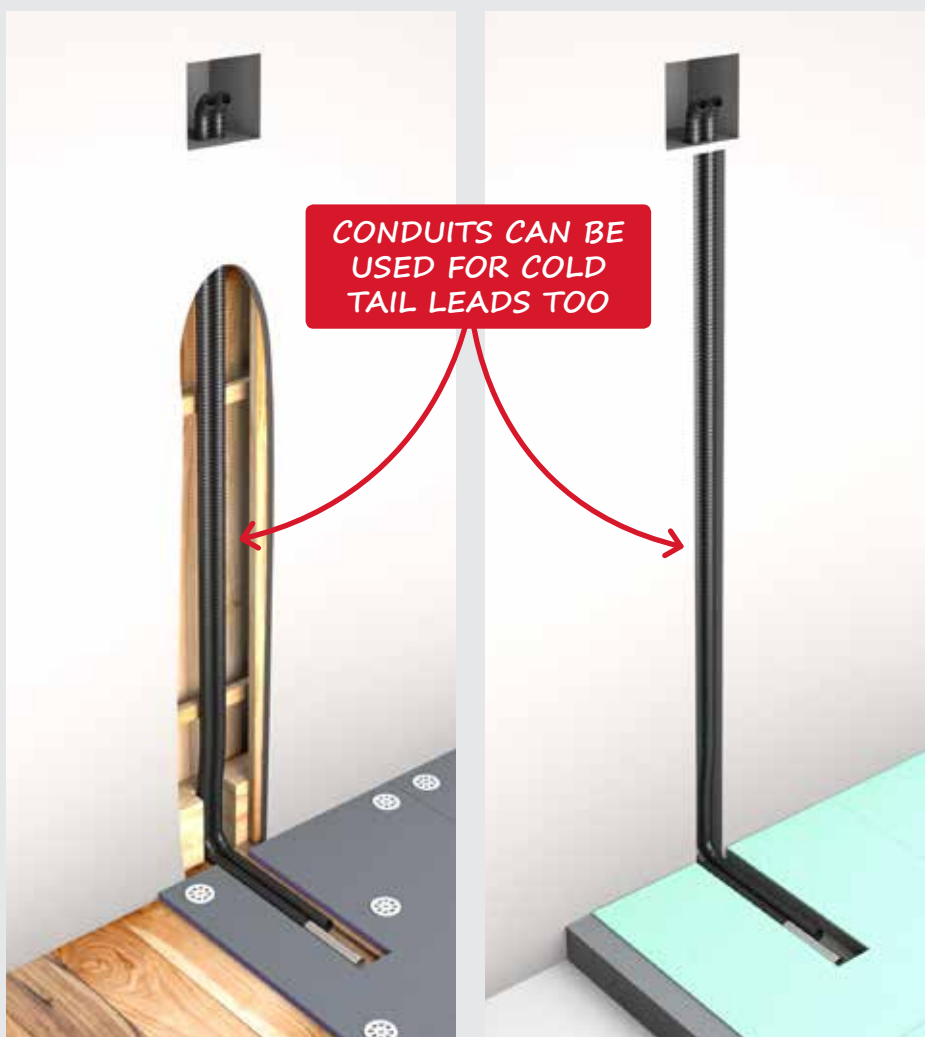
Can I extend the cold tail?

Yes! The low profile cold tail connections can be extended with a standard 1.5mm twin core flex. We always recommend that connections are accessible. Floor sensors can also be extended up to 50m.



Timber floor and cavity wall

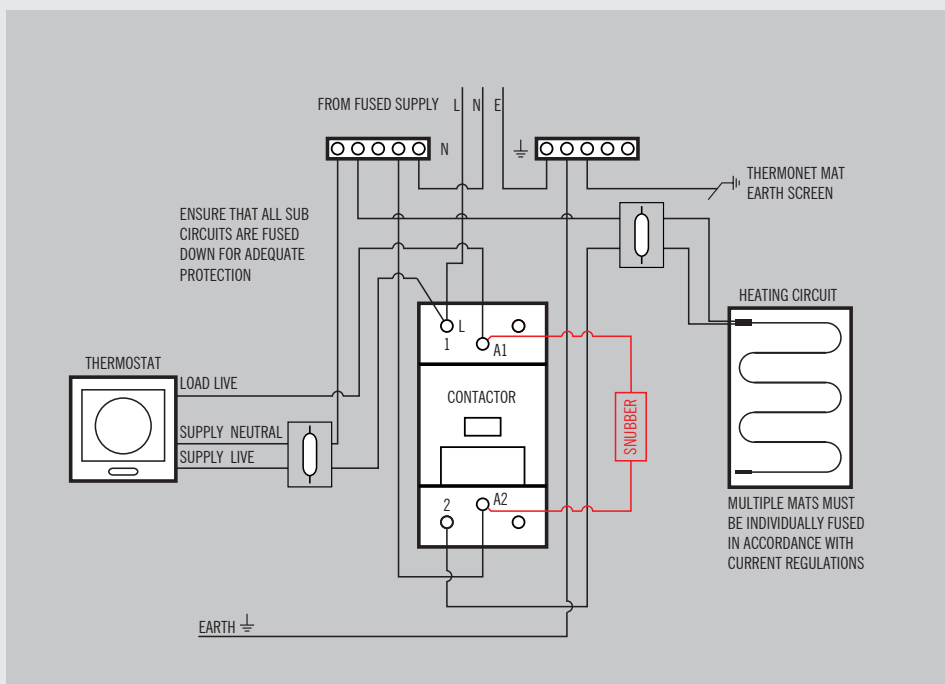
Concrete floor and solid wall





thermostats

TOTAL SYSTEM CONTROL



What is a contactor/snubber?

A contactor/snubber is designed to switch loads greater than 16A on one thermostat.

The snubber must be connected to the circuit as shown, to absorb any electrical surges that could disrupt the memory of the thermostat.

Do I need a contactor/snubber?

Thermogroup thermostats are designed to handle a total load of up to 16A. If your system exceeds this total load you will need a suitably rated contactor/snubber to ensure a safe and functional electrical circuit. Ask our sales team for details.

A 16A thermostat can control:

Up to 24m² of 150W/m² EUFH (3600W)

Up to 18m² of 200W/m² EUFH (3600W)

See contactor options on Pg. 49

IP Ratings & Zones



Zone 0

Inside bath or shower. Any fitting used in this zone must be low voltage (max 12V) and a rating of at least **IPX7** is required. Transformers and switches must be outside zones 0 & 1.

Zone 1

Area above the bath to height of 2.25m from the floor and 1.25m from the water outlet. A minimum rating of **IPX4** needed. Appliance must be protected by a 30mA RCD protected circuit.

Zone 2

Covers 0.6m outside the perimeter of the bath to a height of 2.25m from the floor. Also covers a radius of 60cm around a wash basin. Minimum rating of **IPX4**.

Outside Zones

No specific requirements unless water jets are intended for cleaning purposes, in which case a minimum of **IPX5** is required.

All Zones

All electrical circuits in bathrooms must be protected by a suitably rated RCD. If exposed to water jets such as a shower, a rating of at least **IPX5** is required.

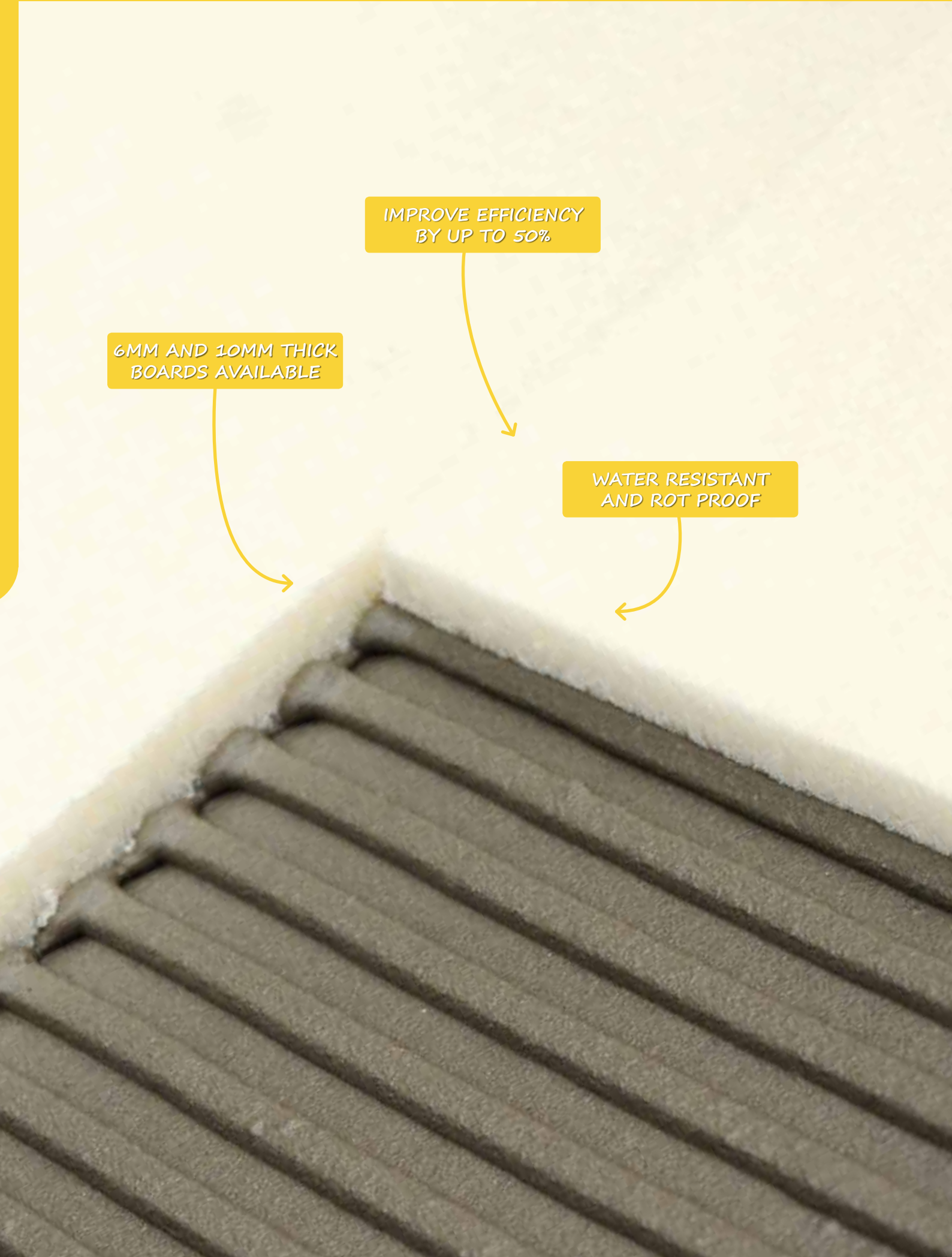
IP Ratings

Electrical fixtures in bathrooms are certified using an IP (Ingress Protection) rating. The IP is followed by 2 numbers referring to the level of protection against the ingress of foreign bodies (1st number) and protection against the ingress of liquids (2nd number).

Zonal Guidelines

All domestic installations must comply with guidelines based on the zonal requirements.

Thermogroup recommend that all electrical work is carried out by a qualified electrician in accordance with all current and relevant building regulations.



IMPROVE EFFICIENCY
BY UP TO 50%

6MM AND 10MM THICK
BOARDS AVAILABLE

WATER RESISTANT
AND ROT PROOF



INSULATION

Econoboard Coated
Econoboard Uncoated
Rigid Insulation Board
Econosoft
Econoscreed
Econospeed



Insulation Boards for Underfloor Heating

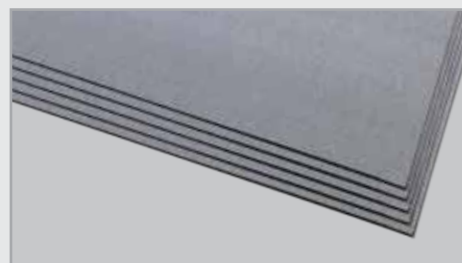
Using the correct Insulation Board is vital for an efficient electric underfloor heating system as it minimises downward heat loss and reduces your running costs by as much as 50%



Uncoated boards for concrete substrates and under tile heating



Coated tile backer boards for timber substrates and wetrooms



Insulation boards for floating floor build ups and timber flooring

5 Reasons to choose Uncoated

- ✓ Cost effective insulation solution
- ✓ 100% water resistant and rot proof
- ✓ Made with extruded XPS foam
- ✓ Maximum insulation, minimal build up
- ✓ Eliminates downward heat loss

5 Reasons to choose Coated

- ✓ Cement coated & fibreglass reinforced
- ✓ 100% water and rot proof
- ✓ Excellent thermal insulation properties
- ✓ Provides lateral stability for timber floors
- ✓ Provides a perfect substrate for tiling

5 Reasons to choose Rigid Boards

- ✓ Designed for under laminate/timber
- ✓ Provides thermal insulation & cushioning
- ✓ Easy to cut, quick and simple to install
- ✓ Excellent thermal insulation properties
- ✓ Minimal height build up

Econoboard Uncoated Insulation Boards are specially developed to provide economical thermal insulation for electric underfloor heating systems on concrete or screed floors.

Fix to the substrate using a full bed of flexible tile adhesive suitable for underfloor heating systems.

Available in 6 & 10mm thick boards.
Board size 1.2 x 0.6m (0.72m²)

For more details see page 58 - 59

Econoboard Coated Insulation Boards are reinforced with fibreglass mesh and a thin cement coating to provide strength and lateral stability to timber substrates.

Fix to the substrate using wood screws (6017) and Econoboard fixing washers (6016) at 300mm centres around each board.

Available in 6 & 10mm thick boards.
Board size 1.2 x 0.6m (0.72m²)

For more details see page 56 - 57

Econoboard Rigid Insulation Boards are designed to provide thermal insulation and cushioning. Loose lay in a staggered brick work pattern and tape together if required.

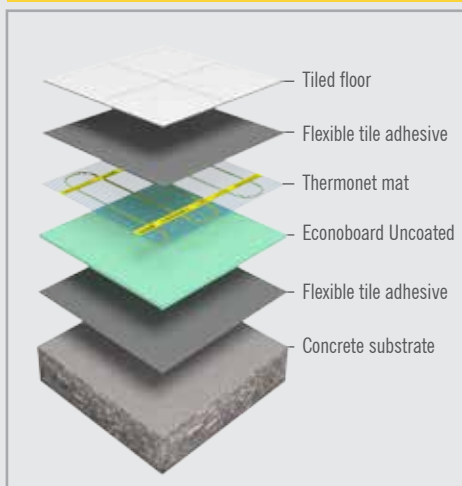
To be left as a floating layer in a floating floor build up below Thermofoil PRO.

Not suitable for under tile heating.

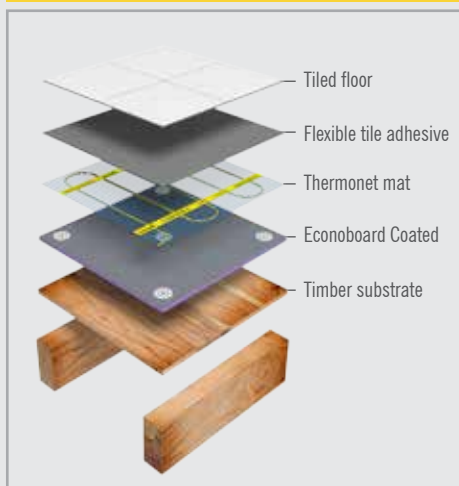
Available in 5mm thick boards.
Board size 1.2 x 0.5m (0.6m²)

For more details see page 60 - 61

Typical concrete floor build up

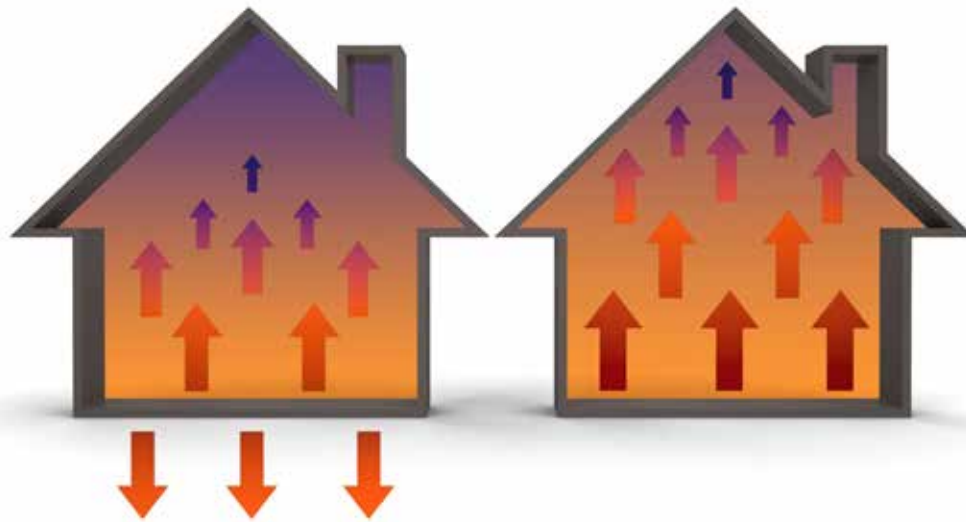


Typical timber floor build up



Typical floating floor build up



**Without insulation boards**

Without insulation boards heat energy is lost into the substrate before radiating up through the floor into the room. This is wasted energy.

With insulation boards

Econoboard reflects the heat energy up through the floor resulting in increased efficiency and much lower running costs.

Water and rot proof

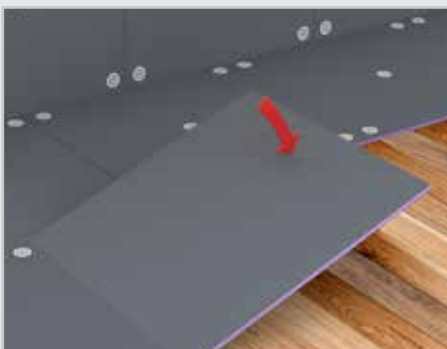
Econoboard Coated is a 100% water proof alternative to ply wood. It provides floor insulation properties, lateral stability and won't rot if it comes into contact with water. The ideal solution in bathrooms or with any timber substrate, and can also be used as part of a wetroom solution.

Suitable for stud partition walls

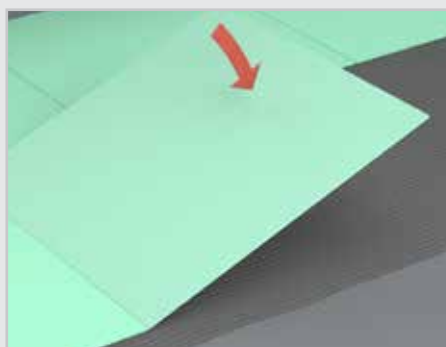
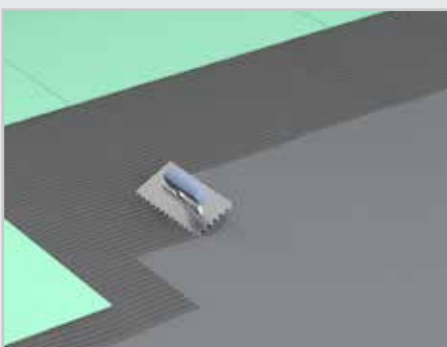
Econoboard Coated (min. thickness of 10mm) is suitable for use on stud partition walls where the studs are set at 300mm centres. All board edges must be supported by timber noggins and fixed with fixing screws and washers set at 300mm centres around the board.

Provides stability for tiling

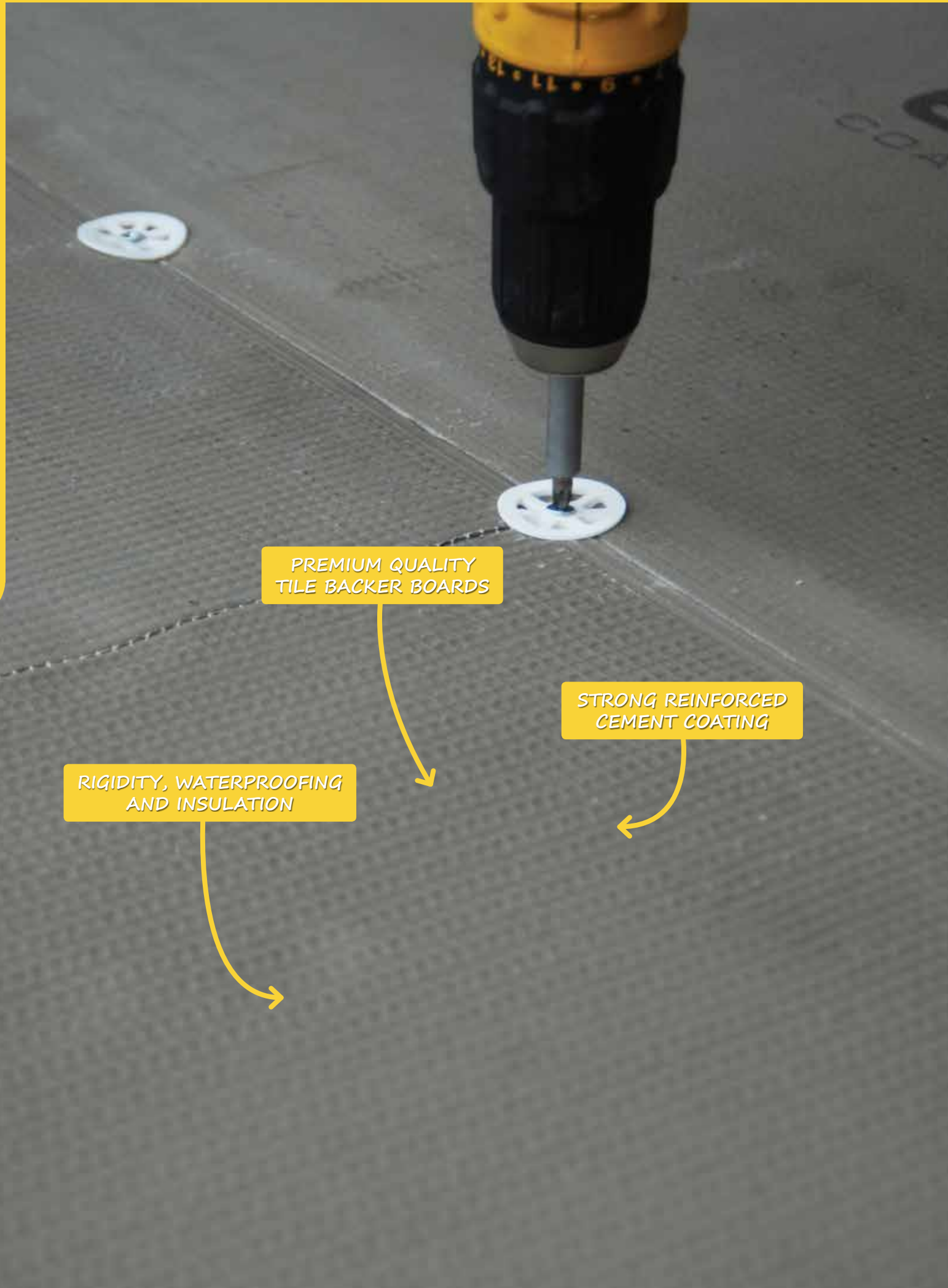
Econoboard Coated is reinforced to provide stability to timber floors before tiling. The extruded polystyrene layer insulates the floor ensuring optimum efficiency.

Econoboard™ Coated installation onto timber substrates**Installation method**

1. Cut boards to size using a sharp blade
2. Lay boards in an offset brick pattern
3. Fix in position using washers and screws (10 washers per board)
4. Ensure joints are closed
(Seal with tape if required)

Econoboard™ Uncoated installation onto a concrete substrate**Installation method**

1. Cut boards to size using a sharp blade
2. Spread flexible adhesive over the floor
3. Lay the boards in a brick work pattern
4. Ensure joints are closed
(Seal with tape if required)



**PREMIUM QUALITY
TILE BACKER BOARDS**

**STRONG REINFORCED
CEMENT COATING**

**RIGIDITY, WATERPROOFING
AND INSULATION**



econoboard

UNDERFLOOR HEATING INSULATION BOARD

Coated Insulation Boards

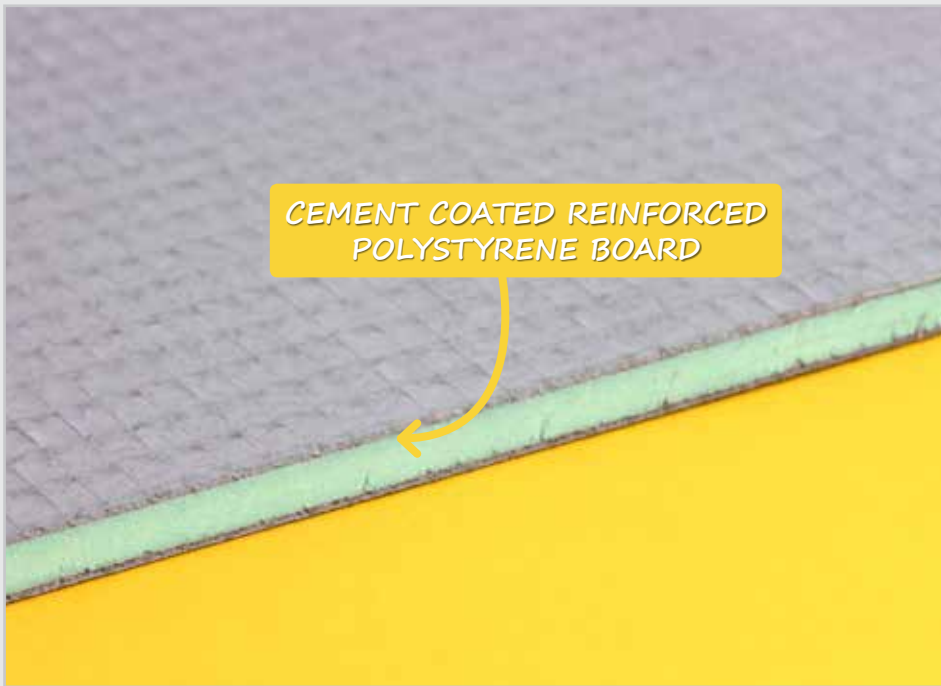
Econoboard Coated Insulation Boards are an ideal substitute for ply and are available in thicknesses of 6mm and 10mm.

A stable substrate for tiling

Econoboard Coated provides a flat, water proof and adhesive ready substrate for tiles and also improves the efficiency of underfloor heating.

5 Reasons for Econoboard Coated

- ✓ Cement Coated and reinforced for strength
- ✓ 100% water proof - suitable for wet areas
- ✓ Provides lateral stability for timber floors
- ✓ Rot proof and impervious to moisture
- ✓ High thermal insulation properties



Econoboard Coated boards are our premium quality tile backer boards, suitable for use in many tiling applications.

Econoboard™ Coated - Each board covers 0.72m²

STOCK NO	DESCRIPTION	R VALUE M ² k/W	BOARD SIZE M	UNIT	RRP EXCL \$ / PACK	RRP INCL \$ / PACK
6106	Coated 6mm	0.15	1.2 x 0.6	pk 8	305.45	336.00
6110	Coated 10mm	0.27	1.2 x 0.6	pk 6	262.73	289.00

Econoboard Coated is available in other thicknesses on request. Contact us for details.

Econoboard™ Coated Multipack Prices - Cost saving on multiple packs

STOCK NO	DESCRIPTION	PACK QUANTITY	RRP EXCL \$ / PACK	RRP INCL \$ / PACK
6106	Coated 6mm	5+ Packs of 8 Boards	268.18	295.00
6110	Coated 10mm	5+ Packs of 6 Boards	226.36	249.00

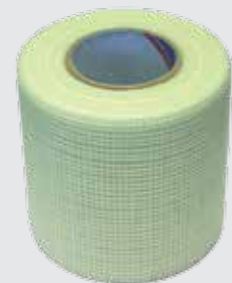
\$ Save up to 50% on running costs when you install insulation board.

Accessories

STOCK NO	DESCRIPTION	UNIT	RRP EXCL \$	RRP INCL \$
6015	100mm Reinforcing Tape 25m roll	ea	35.45	39.00
6016	Zinc Fixing Washers (35mm)	pk 100	31.82	35.00
6017	Fixing Screws (32mm)	pk 1000	29.09	32.00

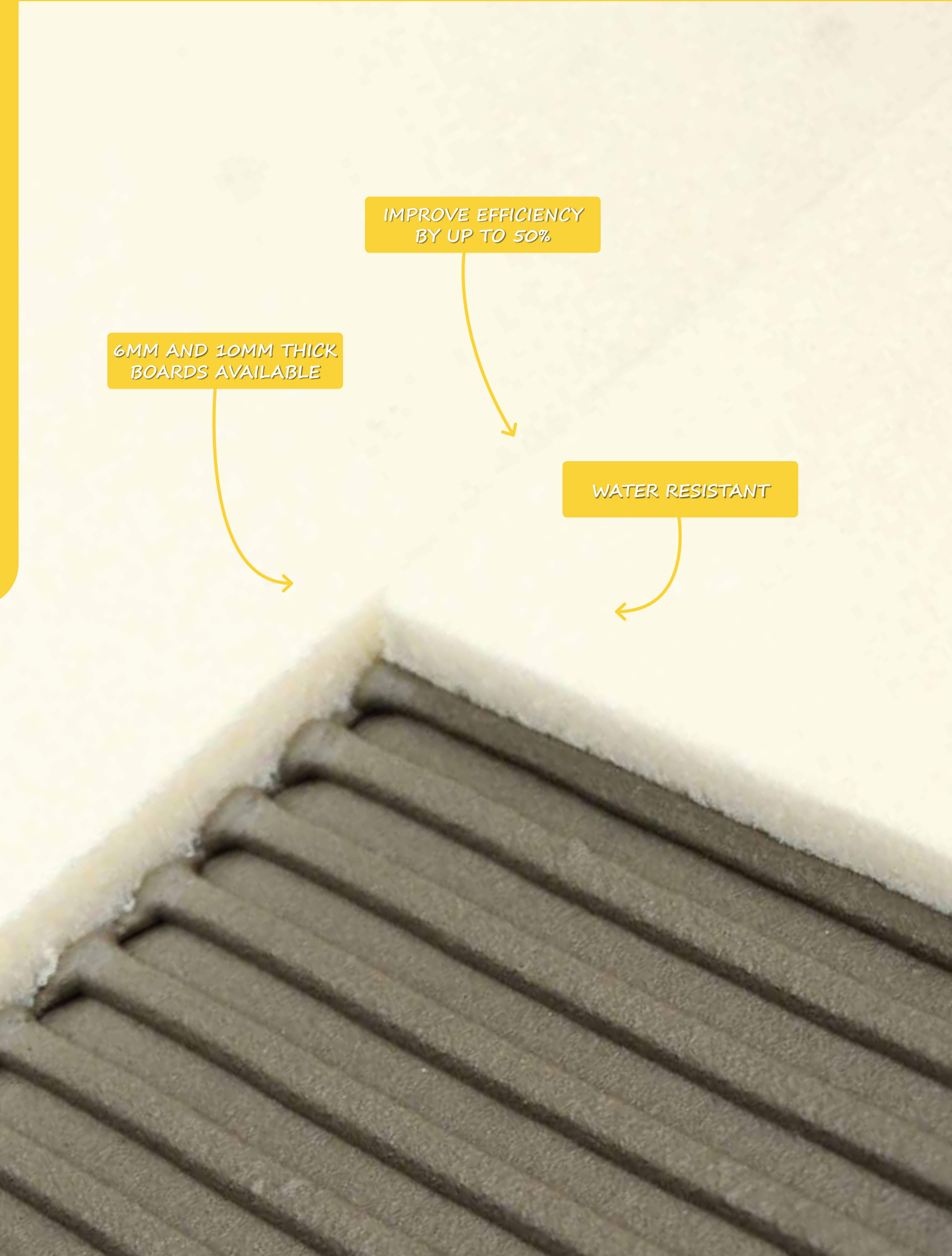


6016 Zinc Fixing Washers



6015 Reinforcing Tape

Reinforcing tape can be used on both Econoboard Coated and Econoboard Uncoated and is designed to help seal and reinforce the joints between the boards prior to waterproofing. Allow 1.9m of tape per board.



IMPROVE EFFICIENCY
BY UP TO 50%

6MM AND 10MM THICK
BOARDS AVAILABLE

WATER RESISTANT



econoboard

UNDERFLOOR HEATING INSULATION BOARD

Uncoated Insulation Boards

Econoboard Uncoated Insulation Boards are designed to provide efficient insulation for concrete substrates and are available in 6 & 10mm thicknesses.

Maximise efficiency

Econoboard Uncoated directs heat generated by underfloor heating up through the floor finish into the room rather than losing heat into your substrate.

5 Reasons for Uncoated Boards

- ✓ 100% water resistant
- ✓ Provides insulation for concrete floors
- ✓ Rot proof and impervious to moisture
- ✓ Lightweight and easy to work with
- ✓ High thermal insulation properties



Improve insulation and prepare a variety of substrates

Econoboard™ Uncoated - Each board covers - 0.72m²

STOCK NO	DESCRIPTION	R VALUE M ² k/W	BOARD SIZE M	UNIT	RRP EXCL \$ / PACK	RRP INCL \$ / PACK
6012	Uncoated 6mm	0.30	1.2 x 0.6	pk 20	416.36	458.00
6014	Uncoated 10mm	0.40	1.2 x 0.6	pk 10	253.64	279.00

Econoboard™ Uncoated Multipack Prices - Cost Saving on Multiple Packs

STOCK NO	DESCRIPTION	PACK QUANTITY	RRP EXCL \$ / PACK	RRP INCL \$ / PACK
6012	Uncoated 6mm	5+ Packs of 20 Boards	362.73	399.00
6014	Uncoated 10mm	5+ Packs of 10 Boards	208.18	229.00



Without insulation boards

Without insulation boards heat energy is lost into the substrate before radiating up through the floor into the room. This is wasted energy.

With insulation boards

Econoboard reflects the heat energy up through the floor resulting in increased efficiency and much lower running costs.

Environmentally friendly XPS

Econoboard is made of an XPS extruded polystyrene foam, it is produced without refrigerants and is HCFC free.

By including Econoboard in your project you can limit heat loss and external temperature influences resulting in a far greener heating solution.



**CUSHIONING
PROPERTIES**

**THERMAL
INSULATION**



econoboard

UNDERFLOOR HEATING INSULATION BOARD

Econoboard Rigid Insulation Board

Rigid insulation boards are designed to provide thermal insulation and cushioning. Loose lay in a staggered brick work pattern and tape together if required.

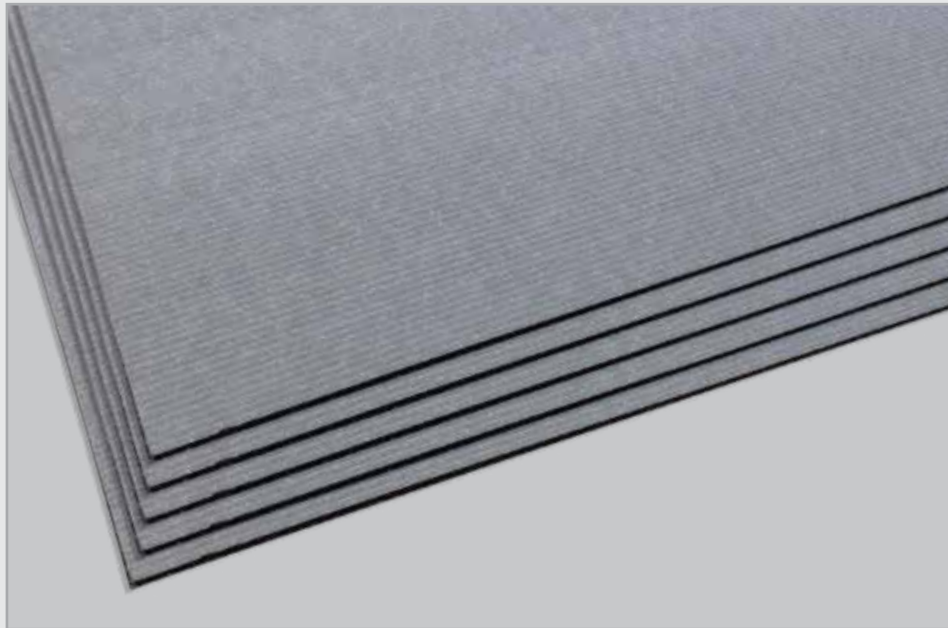
To be left as a floating layer in a floating floor build up below Thermofoil PRO.

Not suitable for under tile heating.

Available in 5mm thick boards.
Board size 1.2 x 0.5m.

5 Reasons to choose Rigid Boards

- ✓ Designed for under laminate/timber
- ✓ Provides thermal insulation & cushioning
- ✓ Easy to cut, quick and simple to install
- ✓ Excellent thermal insulation properties
- ✓ Minimal height build up



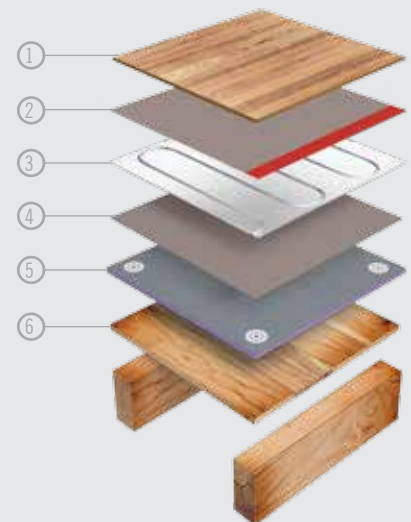
Insulation and cushioning for underlamine heating mats

Rigid Insulation Board

STOCK NO	DESCRIPTION	R VALUE M ² k/W	SIZE	RRP EXCL \$ / PACK	RRP INCL \$ / PACK
5400	Rigid Insulation Board 5mm	0.215	pk10 (6m ²)	90.00	99.00



Every Thermofoil PRO installation should include a layer of Rigid Insulation Board (5400) under the heating element. This layer acts as a 5mm cushion under the heating element to protect it from any damage that could be caused by moving over the substrate. The insulation board also acts as an insulation barrier, improving the efficiency and effectiveness of the underfloor heating.



- ① Laminate or engineered floor finish
- ② Econosoft Acoustic Barrier
- ③ Thermofoil™ PRO Underlamine Foil
- ④ Rigid Insulation Board
- ⑤ Econoboard Coated Insulation Board
- ⑥ Timber Substrate

Packaging information

- Available for purchase by the pack
- 1 board = 1.2 x 0.5m (0.6m²)
- 1 pack = 10 (6m²)

See our dual Control Thermostat, Thermotouch 4.3dC on page 42





LOW THERMAL
RESISTANCE

EASY SELF ADHESIVE
INSTALLATION

EFFECTIVE ANTI
ABRASION LAYER

CUSHIONING AND
PROTECTION FOR UFH

**ECONOSOFT**
ACOUSTIC UNDERLAY SYSTEM**Low Resistance Acoustic Barrier**

Econosoft is a low heat resistance underlay designed to protect underfloor heating systems and provide excellent acoustic properties. Econosoft also acts as a vapour barrier to protect the floor finish. Roll size 15.0m x 1.0m

5 Reasons to choose Econosoft

- ✓ Super thin - only 1.2mm thick
- ✓ Low thermal resistance - TOG 0.14
- ✓ Impact sound reduction - 21dB
- ✓ Acts as an effective vapour barrier
- ✓ Self adhesive overlap installation

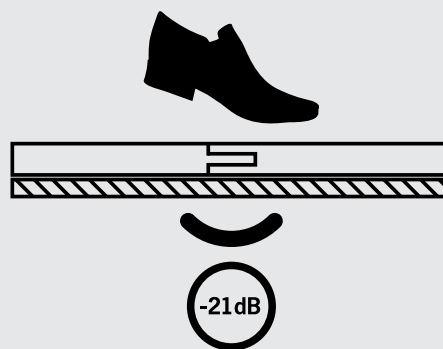
**Low resistance Acoustic Barrier and abrasion layer****Econosoft Acoustic Barrier**

STOCK NO	DESCRIPTION	ROLL SIZE M2	UNIT	RRP EXCL \$	RRP INCL \$
5422	Econosoft Acoustic Barrier	15	roll	308.18	339.00

**Without an acoustic barrier**

Without an adequate acoustic insulation layer impact sound from foot traffic and other sources permeates through the building fabric causing noise pollution and disturbances.

This noise can create an unpleasant environment in domestic and commercial properties.

With an acoustic barrier

When an acoustic insulation layer is installed below the floor finish, impact sound is absorbed and noise pollution is greatly reduced.

Econosoft also has acoustic properties and the cushioning layer will reduce impact sound by as much as 21dB when used with a suitable underlay such as Rigid Insulation Board.

- ① Laminate or engineered floor finish
- ② Econosoft Acoustic Barrier
- ③ Thermofoil™ PRO Underlamine Foil
- ④ Rigid Insulation Board
- ⑤ Econoboard Coated Insulation Board
- ⑥ Timber Substrate

Econosoft Acoustic Barrier

Econosoft Acoustic Barrier (5422) should be used with every Thermofoil PRO installation. The Econosoft layer provides cushioning for the heating cables and acts as an abrasion layer to protect the heating elements from any wear that could be caused by movement in a floating floor build up.



EASY SELF ADHESIVE
INSTALLATION

MOISTURE
RESISTANT

LOW BUILD UP
OF JUST 12MM



ECONOSCREED

FASTTRACK LEVELLING SCREED BOARD

Fast track top screed replacement

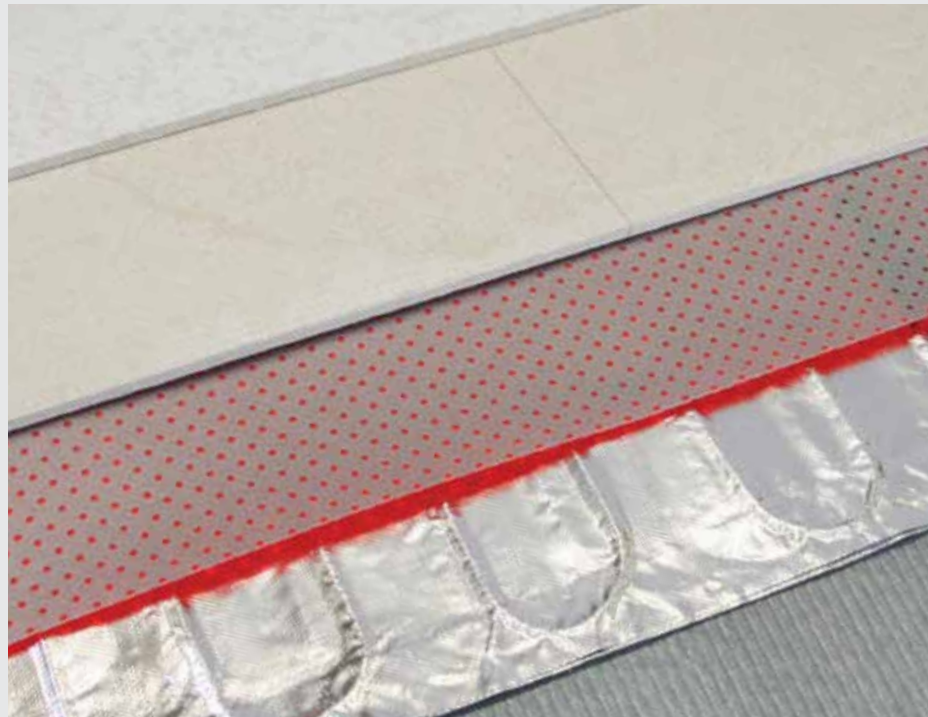
Econoscreed cement bonded panels are a universal fast track dry floor preparation method, to be used as a screed replacement system over various structural substrates.

5 Reasons to choose Econoscreed

- ✓ 12mm non flammable cement boards
- ✓ Very low heat resistance - TOG 0.4
- ✓ Highly resistant to mechanical damage
- ✓ Moisture resistant - use in wet rooms
- ✓ Effective screed replacement system

Fast track floor finish

Econoscreed is a fast track floor finish for use under many floor coverings including solid timber (glue fix), ceramic tiles, sheet vinyl, luxury vinyl tiles, carpet tiles, cork, linoleum or rubber. When installing vinyl, cork, linoleum or rubber, a fibre reinforced feather finish needs to be applied on top of the Econoscreed to smooth out any joints.



Yes! A floating floor you can glue timber onto, or tile on!

Only 12mm thick

The twin layers (6+6 mm) of Econoscreed, provided with interactive adhesive, utilise an overlap joint configuration to produce a seamless surface, immediately ready to receive a floor covering.

Installation method

1. Loose lay the Rigid Insulation Board
2. Roll out the Thermofoil heating mat
3. Lay Econosoft
4. Put down the first layer of Econoscreed
5. Lay second layer of Econoscreed with overlapping joints by half a board in both directions
6. Install your floor finish

Ideal for glued down timber floors

Econoscreed is ideally suited in applications where engineered timber floor finishes are to be glued down.

Packaging information

- Available for purchase by the m².
- 1 pallet = 100 boards (36m²).
- Pallet weight = 750kg

Econoscreed high performance cement board overlay system

STOCK NO	DESCRIPTION	BOARD SIZE M	UNIT	RRP EXCL \$	RRP INCL \$
5423	12mm Cement Board Heating Overlay	1.2 x 0.6	Pair	90.00	99.00

Econoscreed boards are sold in pairs including 1 top board and 1 base board. A pair of boards covers 0.72m².





EASY SELF ADHESIVE
INSTALLATION

LOW THERMAL
RESISTANCE VALUE

FOR USE IN FLOATING
FLOOR BUILD UPS

ECONOSPEED

FASTTRACK FLOORING PREPARATION



Free floating sub floor for UFH

Econospeed is a free floating subfloor specially designed for use over electric underfloor heating systems such as Thermofoil PRO. Ideal when laying vinyl or a floating timber floor. (Not suitable for glued timber floors)

5 Reasons to choose Econospeed

- ✔ 7mm buildup made of HDF board
- ✔ Dry overlay for electric heating systems
- ✔ Very low heat resistance - TOG 0.5
- ✔ Perfect finish for vinyl, carpet or cork
- ✔ Provides a clean, dust free substrate

Fast track floor finish

Econospeed is very simple to install and much quicker and easier to use than a traditional smoothing compound. It is also an entirely dry process so it is much cleaner, faster and easier than using the wet screed method.

Create a perfectly smooth surface for soft floor finishes!

Econospeed high performance HDF overlay system

STOCK NO	DESCRIPTION	PACK AREA	UNIT	RRP EXCL \$	RRP INCL \$
5420	7mm HDF Heating Overlay	2.88m ²	pk	235.45	259.00

Econospeed is supplied in packs of 8 (4 top boards and 4 base boards) with a coverage of 2.88m².

Only 7mm thick

The twin layers (3+4 mm HDF) of Econospeed, both provided with interactive adhesive, utilise an overlap joint configuration to produce a seamless surface, immediately ready to receive the floor covering.

Installation method

1. Loose lay the Rigid Insulation Board
2. Roll out the Thermofoil heating mat
3. Lay Econosoft
4. Put down the first layer of Econospeed
5. Lay second layer of Econospeed with overlapping joints by half a board in both directions
6. Install your floor finish

Packaging information

- 1pk = 4 base boards and 4 top boards with an area of 2.88m².
- 1 pallet = 48 packs (138.24m²)
- Pallet weight = 830kg





DISCREET HEATING
OPTIONS

SILENT & EFFECTIVE
SPACE HEATING



Model Shown: TR1300



SPACE HEATING

Thermofan
Thermorad
LST Radiators
Heat Tubes
Thermoplinth
Thermomat
Thermoprotect



Thermofan Fan Heaters

Thermofan Bathroom Fan Heaters are designed to quickly and effectively warm up or add additional warmth to your home. These fan heaters have a very low noise level and deliver an evenly distributed air flow to maintain a comfortable, even temperature throughout the room. Thermofan Fan Heaters are quick and easy to install in any room of your home.



The TF1000 Bathroom Fan Heater is an attractive wall mounted fan heater with concealed controls on the side of the unit. It features extremely low noise level, a 60-minute Boost Timer and has a removable and washable filter.

The TF1000 comes as standard with a cord and a 3-pin-plug which can come out either the right or left hand side of the unit. If required, this plug can be removed by an electrician and be hard wired in behind the unit.

The TF1000 is very simple to use with two dial controls on the side of the unit. The first dial is used to set your preferred room temperature, which once set the fan heater will turn on and off to maintain the room at this preferred temperature (Operating at 1000 Watts). The second dial is a 60-minute Boost Timer which is used to boost the temperature of your room (Operates at 1800 Watts) for a set period of time (Max 60 minutes). Once the time is completed the Thermofan will revert back to the comfort temperature setting.

TF1000 FEATURES

- Dimensions: H410 x W285 x D115mm
- 1000 - 1800 Watts Output
- White steel faceplate
- Removable and washable filter
- 60 minute Boost Timer
- Pilot light on front of unit
- Designed to heat rooms from 10-20m²
- IP24 protection rating
- Made in Italy
- 2 Year warranty

Thermofan Wall Mounted Bathroom Heaters

STOCK NO	DESCRIPTION	SIZE (HxWxD) MM	OUTPUT W	ROOM SIZE M ²	RRP EXCL \$	RRP INCL \$
TF1000	Fan Heater with Boost Timer	410 x 285 x 115	1000 – 1800	10 – 20	231.82	255.00



The Thermofan TF1800 boasts the latest in intelligent energy saving controls, and its slimline design and touchscreen controls make it a perfect addition to any modern home.

This Thermofan comes as standard with a cord and a 3-pin-plug which can come out either the right or left hand side of the unit. If required, this plug can be removed by an electrician and be hard wired in behind the unit.

The TF1800 Thermofan is fully programmable, allowing you to set when you want it on every day of the week and at your desired temperature.

Alternatively, the automatic mode can be selected which allows you to set your comfort temperature and the Thermofan will heat as required, using the presence sensor to maintain this temperature. The presence sensor is designed to reduce energy consumption as it automatically lowers the ambient temperature when no-one is detected in the room and comes back to the set comfort temperature when movement is detected again.

TF1800 FEATURES

- Dimensions: H450 x W270 x D110mm
- 1800 Watts Output
- White / Grey faceplate
- Safe and silent
- Touchscreen controls
- Fully programmable
- 2 Heating Modes
- Presence sensor on front of unit
- Designed to heat rooms from 10-20m²
- IP24 protection rating
- Made in Italy
- 2 Year warranty



Touchscreen controls on face of unit



Removable and washable filter concealed behind unit



Towel rail and extra hooks for towels



Thermofan Wall Mounted Bathroom Heaters

STOCK NO	DESCRIPTION	SIZE (H x W x D) MM	OUTPUT W	ROOM SIZE M ²	RRP EXCL \$	RRP INCL \$
TF1800	Fan Heater with Presence Sensor	450 x 270 x 110	1800	10 - 20	271.82	299.00



The Thermofan TF2100 is designed to provide an instant heat source in bathrooms, kitchens or other rooms of your home. The warm air is blown downwards from the underneath of the unit, with the air intake at the front, thus creating less draughts and heating more efficiently.

The unit features a pre-set thermostat which will automatically reduce the output to 1000 Watts as soon as the room warms up. If required this Thermofan can be set to always operate at 1000 Watts rather than 2000 Watts, at time of installation.

This unit comes standard as a hard wired unit, however can be fitted with a lead and 3-pin-plug by an electrician, enabling it to be plugged in if required.

The unit is extremely easy to operate as it has a simple pull cord that is used to turn the unit on and off as required.

TF2100 FEATURES

- Dimensions: H245 x W237 x D130mm
- 2000 Watts Output
- Easy to use
- Pre-set Temperature
- Pull Cord and Pilot Light
- 3 Heat Settings
- Thermal Overheat Cut Out Switch
- Designed to heat rooms from 10-20m²
- IP21 protection rating
- 2 Year warranty

Thermofan Wall Mounted Bathroom Heaters

STOCK NO	DESCRIPTION	SIZE (HxWxD) MM	OUTPUT W	ROOM SIZE M ²	RRP EXCL \$	RRP INCL \$
TF2100	Fan Heater with Pull Cord	245 x 237 x 130	2000	10 - 20	140.91	155.00



Thermorad Radiators

Thermorad Radiators combine convection and radiation principles in a single heater. This results in a heater that will heat a room quickly and maintain an even temperature without draughts or circulating air being distinctly perceived.

The Thermorad Radiators are ultra-thin (only 5cm thick) with the distance from the wall being only 9.5cm making them suitable to fit into any room of your home.

The Radiators have controls located at the top of the unit which allows the unit to be programmed to switch on and off at certain times as well as setting the desired temperature.

Alternatively the optional TRT Remote controller can be used to control the unit when mounted high on the wall or when controlling multiple units throughout your home.

The Thermorad Radiators have a white powder coated finish and concealed wiring but can be fitted with a 3-pin-plug if required.



Thermorad Radiators

STOCK NO	DESCRIPTION	SIZE (W x H x D) MM	OUTPUT W	ROOM SIZE	RRP EXCL \$	RRP INCL \$
TR800	White electrical radiator	650 x 600 x 50	800	11-13m ²	699.09	769.00
TR1300	White electrical radiator	950 x 600 x 50	1300	16-20m ²	844.55	929.00
TRT	Optional remote for radiators				135.45	149.00



LST Digital Radiators

The LST radiators are ideal for use in domestic applications, nurseries, hospitals, childcare centers and retirement villages.

These low surface temperature, thermostatically controlled, silent panel heaters provide a high level of safety, controllability and comfort.

5 Reasons for LST radiators

- ✓ Maximum surface temperature of 43°C
- ✓ Variable thermostat with frost protection
- ✓ 24 hour timer
- ✓ Available in 500W and 800W models
- ✓ Automatic safety cutout

Low surface temperature panel radiators!

Thermorad low surface temperature radiators

STOCK NO	DESCRIPTION	SIZE MM	OUTPUT W	RRP EXCL \$	RRP INCL \$
LST500	Thermorad LST	H400 x L830 x D93	500	780.91	859.00
LST800	Thermorad LST	H430 x L1187 x D93	800	908.18	999.00

Features and benefits

- Splash proof to IPX4
- Hinged wall mounting for easy cleaning
- On/Off switch and pre-wired for easy installation
- Frost protection setting
- 2 Year warranty

Cupboard Heater

Create your own drying cupboard or room with an easy to install electric heat tube.

These small, compact units are designed to quickly and effectively heat your cupboard and dry and warm your clothes.

5 Reasons for heat tubes

- ✓ 60 Watts output
- ✓ Includes linking kit to join several units
- ✓ Small compact unit
- ✓ Guards available (HT60C)
- ✓ 2 Year warranty



Create your own heated drying cupboard!

Heat Tubes

STOCK NO	DESCRIPTION	SIZE (H x L x D) MM	OUTPUT W	RRP EXCL \$	RRP INCL \$
HT60	Heat Tube	L305	60	80.91	89.00
HT60C	Heat Tube Cover	120 x 315 x 115		50.00	55.00

Features and benefits

- Heats an area of up to 1.5m³
- Comes standard as hard wired unit. Can be fitted with 3-pin-plug if required.
- No switch on unit - timer can be purchased separately. See Pg.102 - 103.
- IP44 protection rating



thermoplinth

SPACE SAVING HEATING



Space saving plinth heaters

Thermoplinth is a small compact unit that is designed to fit into your kitchen kick plate, saving you space and it will warm your room very quickly and more efficiently than an equivalent radiator.



Thermoplinth space saving plinth heater

5 Reasons to choose Thermoplinth

- ✓ Innovative space saving design
- ✓ Freedom to use your space efficiently
- ✓ Fast responsive heat from the floor up
- ✓ Fits neatly into kitchen kick plates
- ✓ Efficient supplementary heat source

Thermoplinth Electric Plinth Heater

Thermoplinth Electric Plinth Heaters run from a standard 240Volt electrical supply and are designed to be switched on and off manually using the switches on the front of the unit. Alternatively, the unit can be wired to an ambient room sensing thermostat (Pg. 46) that can be programmed to your needs.

Convection heating effect

Thermoplinth works by drawing air over the heated fins of a heat exchanger and projecting warm air back into the room. It can also be used in fan only mode in warmer weather.



FITS NEATLY INTO YOUR KITCHEN KICK PLATE

Maximise the wall space in your kitchen!

Thermoplinth™ Electric Space Saving Plinth Heaters

STOCK NO	DESCRIPTION	OUTPUT W	FINISH	RRP EXCL \$	RRP INCL \$
3624	Thermoplinth™ Electric	1000 - 2000	White	562.73	619.00

Thermoplinth is a small, compact, space saving unit measuring H100 x W500 x D240mm. For ventilation purposes an additional 20mm needs to be left free in the kick space above the heater.



thermomat

HEATED CARPET MAT



Add the warm feeling of underfloor heating to your home or office without having to replace your floor. Thermomat heated carpet mats are a simple plug-in heat mat ideal for use under your desk.

Thermomat Carpet Heater

STOCK NO	DESCRIPTION	SIZE (W x H) MM	OUTPUT W	RRP EXCL \$	RRP INCL \$
6050	Thermomat Carpet Heater	600 x 400	75	158.18	174.00



Protect your property this winter

Winters are getting colder, and people are slowly warming up to the frost protection technology which has long been popular in central Europe. Protect pipes and gutters from damage with Thermoprotect.

Smart self-regulating cables

Thermoprotect frost protection kits are the perfect solution to prevent pipes from freezing.

Our frost protection kits use a smart self-regulating cable that limits its own output along the entire length. The variable resistive compound within the cable prevents overheating to ensure safe operation.

5 Reasons for Thermoprotect

- ✓ Safe and efficient self-regulating cable
- ✓ Gutter and down pipe installation kit
- ✓ Prevents frozen boiler condensate pipes
- ✓ Eliminate frozen and burst pipes
- ✓ Unique energy saving switch

Prepare your property for a cold winter season!

Thermoprotect™ EZ - Self-regulating 10W/Lm at 10°C pre-terminated cable

STOCK NO	DESCRIPTION	OUTPUT W	LENGTH M	RRP EXCL \$	RRP INCL \$
5602	Thermoprotect™ EZ 10W/Lm	20	2	144.55	159.00
5606	Thermoprotect™ EZ 10W/Lm	40	4	199.09	219.00
5610	Thermoprotect™ EZ 10W/Lm	60	6	244.55	269.00
5614	Thermoprotect™ EZ 10W/Lm	80	8	262.73	289.00
5616	Thermoprotect™ EZ 10W/Lm	100	10	317.27	349.00
5664	Thermoprotect™ EZ 10W/Lm	750	75	1,817.27	1,999.00

Please note: 5664 is supplied on a drum and is not pre-terminated.

Thermoprotect™ Accessories

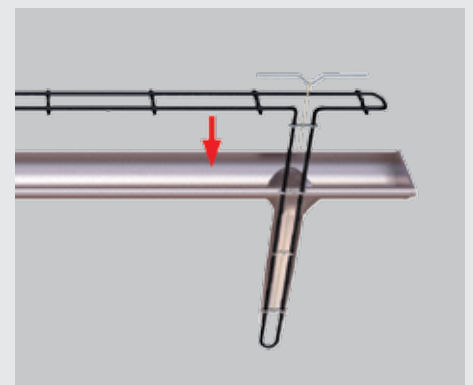
STOCK NO	DESCRIPTION	UNIT	RRP EXCL \$	RRP INCL \$
5672	Thermoprotect™ Connection Kit	ea	17.27	19.00
5674	Cable Ties 150mm	pk 100	5.36	5.90
5676	Aluminium Tape (use with plastic pipes)	50mm x 50m	44.55	49.00
5678	Gutter Spacers	3 x 1m	35.45	39.00
5680	Downpipe Suspension Kit	6m	226.36	249.00
5682	Thermoprotect Controller	ea	153.64	169.00

Boiler condensate pipes

Install Thermoprotect to help prevent frozen boiler condensate pipes and failures in winter.

Gutter & Downpipe protection

Thermoprotect can be installed in gutters and downpipes to prevent costly damage caused by heavy snow and ice accumulation. The downpipe installation kits (5680) include cable spacers, downpipe suspension rig, downpipe support cable and cable clips.






12 VOLT SAFE FOR
USE IN WET AREAS

304 GRADE
STAINLESS STEEL

SINGLE ENDED
DESIGN

Touchscreen Rail Timer



Use the TRTS Touchscreen Timer to control your heated towel rail ensuring you have it warm when needed.

Model shown: SER6



HEATED TOWEL RAILS

Thermorail 12 Volt Range

Thermorail Ladder Range

Thermorail Timers

Thermorail Non Heated Range

Hydronic Range

Lagoon Range

Jeeves Range

Bathroom Accessories



Why Thermorail Heated Towel Rails?



Enhance your bathroom experience...

Something as simple as an electric heated towel rail can transform the feeling of your bathroom. There's nothing like a warm towel!

Enhance your bathroom experience by adding an electric heated towel rail. If you need a single rail, ladder rail or even a free standing model we can provide you with the perfect heated rail for your project.

5 Reasons to choose Thermorail

- ✓ Efficient dry electric element
- ✓ Multiflex - Top, bottom, left, right
- ✓ Dry your towels while your heating is off
- ✓ Wide range of styles to suit your home
- ✓ High quality Stainless Steel

The Multiflex advantage...

Most Thermorail heated towel rails have Multiflex wiring (indicated with an "M" at the end of the code) which means that you can choose to have either exposed or concealed wiring on the left or right hand side at the top or bottom of the rail. The concealed wiring (hard wired) option gives a smart, contemporary finish whilst the exposed (plug in) option is mainly used in existing rooms with a power point nearby.

Did you know?

Contrary to what we normally think, folding towels before hanging them on your heated towel rail actually causes them to dry and heat quicker than unfolded towels!

Premium quality Stainless Steel...

Thermorail heated towel rails are designed and built to last using only the highest quality materials such as 304 grade Stainless Steel that gives the rails a premium quality finish.

Efficient dry heating element...

All Thermorail models feature our efficient dry electric heating element, so there is no need to think about plumbing or filling the rails. Thermorails simply connect directly to your existing electricity circuit and can be controlled with a boost switch or timer for added energy efficiency and convenience. Thermorail heated towel rails are designed to run on the lowest wattage possible without compromising comfort.

Warranty...

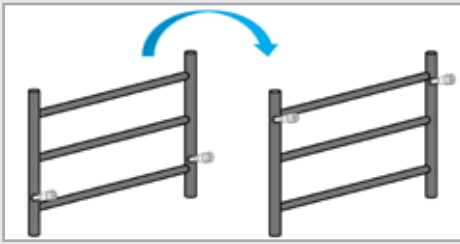
Each Thermorail heated towel rail is made to exacting standards from high quality materials and tested to industry standards ensuring you receive what you expect and have the confidence of industry leading warranties. Backed by a team of highly trained customer service specialists you can have peace of mind that your Thermorail will last for years to come and is backed not only with manufacturing warranties but also includes a money back satisfaction guarantee.

At Thermogroup we stand by our products and believe in what we do!

Thermorail Heated Towel Rails FAQs

What does Multiflex Wiring mean?

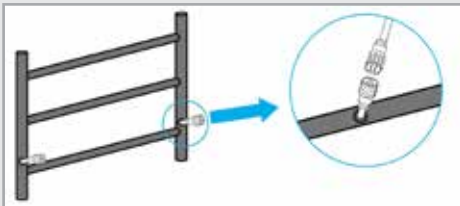
Multiflex wiring means there is a range of different wiring options within the one rail so the wiring can be decided at the time of installation. The multiple wiring options available are on either the top or the bottom of the rail, on the left or right hand side - making it possible to come from any of the four mounting points. Wiring can also be exposed (plug in) or concealed (hard wired).



Top & Bottom Wiring

Wiring connection points come as standard at the base of the unit.

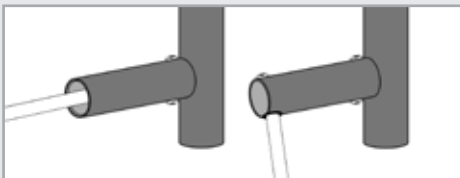
Due to being a dry element rail it can be turned over/upside down (there is no difference between the top and bottom) and have the connection points at the top of the unit.



Left & Right Hand Wiring

Wiring connection points on both the left and right hand side of the unit – lead comes separate to the unit.

The lead can be easily plugged into the desired side upon installation.



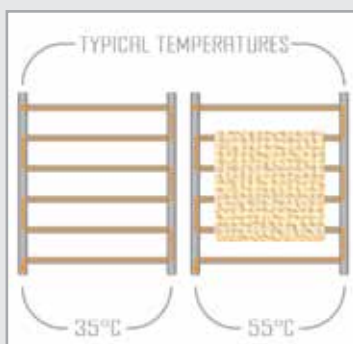
Concealed & Exposed Wiring

The Thermorail can be hardwired (concealed) through one of the mounting legs.

Alternatively the Thermorail can be have plug-in (exposed) wiring which will come out the base of one of the mounting legs on the side closest to the wall.

What temperature will the towel rail get to?

A Thermorail heated towel rail will generally heat up to around 35 degrees and heats up a lot quicker than a hydronic rail. When a towel is placed over the bars the towel insulates the rail and absorbs the heat, meaning that beneath the towel the temperature will rise to between 50 – 55 degrees.



Will the towel rail heat my bathroom?

Whilst some warmth is added to the room, Thermorail electric heated towel rails are designed as a towel warmer only and won't heat your entire room. However, Hydronic and liquid filled rails are designed to not only heat your towel, but also add warmth to the bathroom.

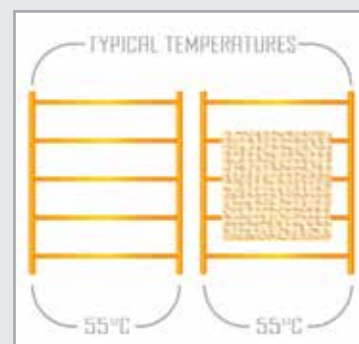
What is the heat up time on my towel rail?

An electric towel rail will take 5 minutes to start getting warm and within approximately 30 minutes it will reach optimum temperature. A hydronic or liquid filled rail will take closer to an hour to reach its optimum temperature. For the hydronic rails this is very dependent on how the rail is receiving the hot water, as if it is on a central heating system as opposed to an electric heating element then it may be quicker to heat up if the central heating system is already working.

What does it cost to run a heated towel rail?

A standard thermostatic dry element rail can cost as little as 1 cent per hour to run. This can be further reduced by adding a timer to provide optimum control over running times.

A hydronic rail heats the entire rail taking longer to reach temperature. Hydronic rails will heat up to 55 degrees which helps to heat the bathroom. As the rail is heating the water and not the air, covering the rail with a towel will not cause it to get any hotter.





Simple Installation

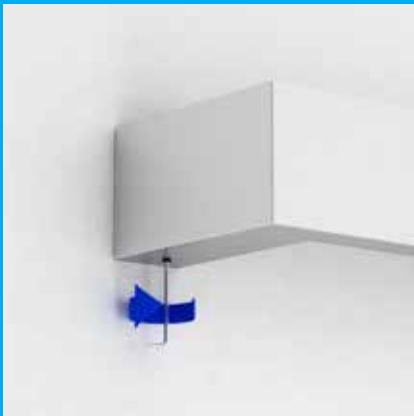
Thermorail Single Bar Rails now feature a 2 metre lead with a connector clip for easy pre-wiring.



Wire the supplied lead into your transformer and leave the connector clip exposed from the wall.



When your bathroom is complete clip the connection together with no help from an electrician!

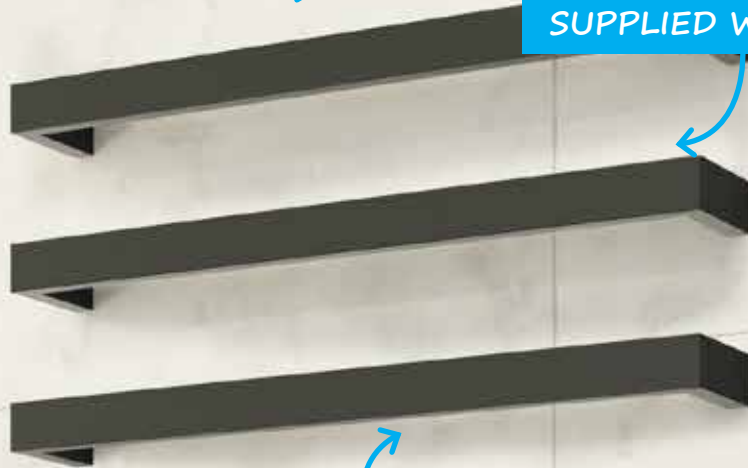


Tighten the grub screws to the mount to secure your towel rail to the wall and your installation is complete.

MAKE A DESIGN STATEMENT WITH MULTIPLE RAILS

12V TRANSFORMER SUPPLIED WITH RAILS

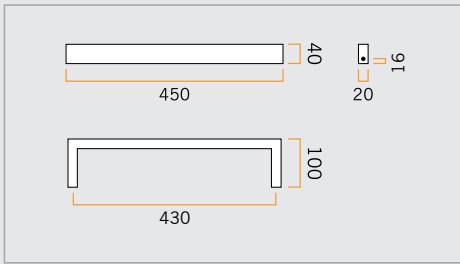
12V - SAFE FOR USE IN WET AREAS



12V Single Bar Range



DSS4 Square Profile - Polished



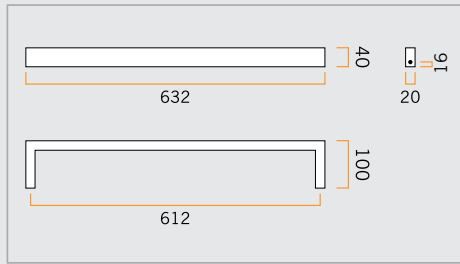
Size (mm): W450 x H40 x D100

Thermorail™ Single 12V

STOCK NO	OUTPUT W	RRP EXCL \$	RRP INCL \$
DSS4	17	129.09	142.00



DSS6 Square Profile - Polished



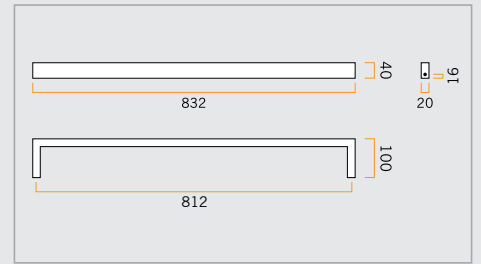
Size (mm): W632 x H40 x D100

Thermorail™ Single 12V

STOCK NO	OUTPUT W	RRP EXCL \$	RRP INCL \$
DSS6	23	135.45	149.00



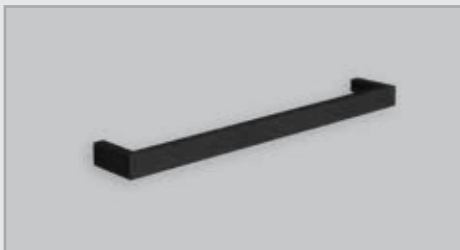
DSS8 Square Profile - Polished



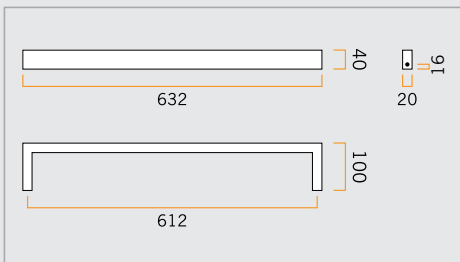
Size (mm): W832 x H40 x D100

Thermorail™ Single 12V

STOCK NO	OUTPUT W	RRP EXCL \$	RRP INCL \$
DSS8	30	192.73	212.00



DSS6B Square Profile - Matt Black



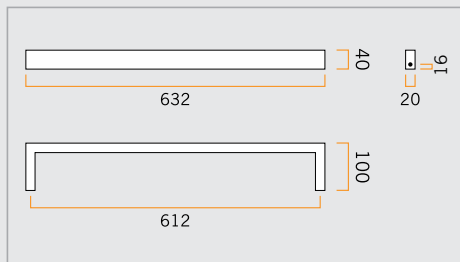
Size (mm): W632 x H40 x D100

Thermorail™ Single 12V

STOCK NO	OUTPUT W	RRP EXCL \$	RRP INCL \$
DSS6B	23	150.00	165.00



DSS6BR Square Profile - Brushed



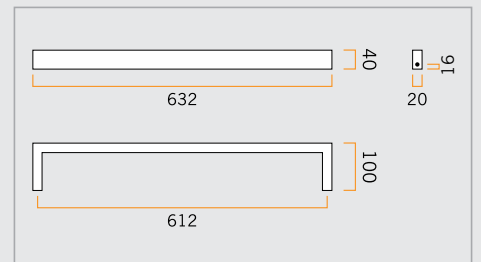
Size (mm): W632 x H40 x D100

Thermorail™ Single 12V

STOCK NO	OUTPUT W	RRP EXCL \$	RRP INCL \$
DSS6BR	23	180.91	199.00



DSS6W Square Profile - White



Size (mm): W632 x H40 x D100

Thermorail™ Single 12V

STOCK NO	OUTPUT W	RRP EXCL \$	RRP INCL \$
DSS6W	23	180.91	199.00



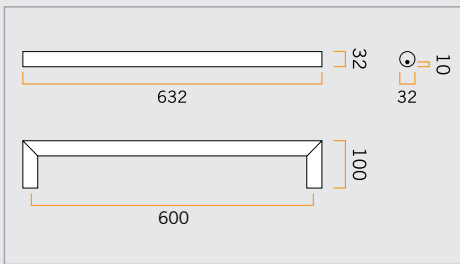
Thermorail™ 12V Heated Single Rails are also available as Non Heated Rails. See page 112 for details



12V Single Bar Range



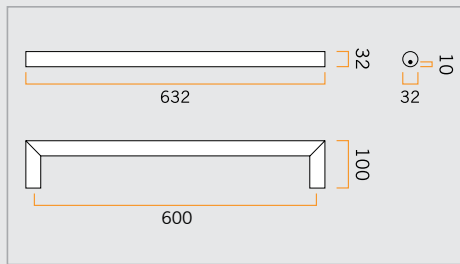
DSR6 Round Profile - Polished



Size (mm): W632 x H32 x D100



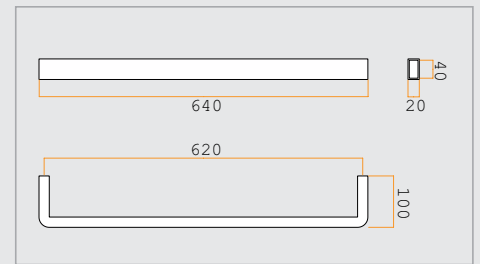
DSR6B Round Profile - Matt Black



Size (mm): W632 x H32 x D100



DSC6 Square Profile & Curved Corners - Polished



Size (mm): W640 x H40 x D100

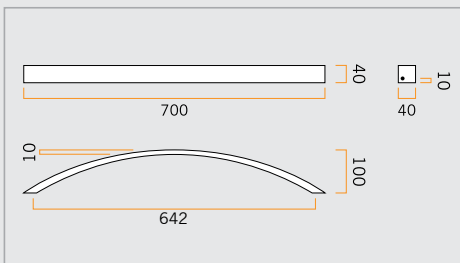
Thermorail™ Single 12V			
STOCK NO	OUTPUT W	RRP EXCL \$	RRP INCL \$
DSR6	18	135.45	149.00

Thermorail™ Single 12V			
STOCK NO	OUTPUT W	RRP EXCL \$	RRP INCL \$
DSR6B	18	150.00	165.00

Thermorail™ Single 12V			
STOCK NO	OUTPUT W	RRP EXCL \$	RRP INCL \$
DSC6	23	171.82	189.00



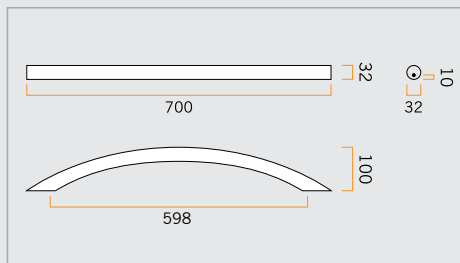
DCF7 Flat Curved Profile - Polished



Size (mm): W700 x H40 x D100



DCR7 Round Curved Profile - Polished



Size (mm): W700 x H32 x D100



DTRAN 105W Transformer

Thermorail™ Single 12V			
STOCK NO	OUTPUT W	RRP EXCL \$	RRP INCL \$
DCF7	21	135.45	149.00

Thermorail™ Single 12V			
STOCK NO	OUTPUT W	RRP EXCL \$	RRP INCL \$
DCR7	15	135.45	149.00

Points to consider

- ✓ Safe in wet areas
- ✓ 12Volt Transformer included with all 12 Volt Single Bar Rail Sets
- ✓ Concealed Right Hand Wiring
- ✓ 1 Year Warranty on the Transformer
- ✓ Made from 304 Grade Stainless Steel
- ✓ Typical Spacing between bars is 200mm but can be varied to suit your design
- ✓ To dry towels effectively you will need a set of 3 or 4 bars
- ✓ Refer to Pg. 102 for range of timers
- ✓ Can be converted to left hand wiring upon request

Thermorail™ 12V Heated Single Rails are also available as Non Heated Rails. See page 112 for details





12V Mounting System

thermorail
ELECTRIC HEATED TOWEL RAILS



A time saving way to install 12Volt rails

Thermogroup has designed a robust and user friendly mounting system that provides maximum strength, security and convenience to the installer. The mounting system provides easy cable management and simple multiple rail installation of any of the single bar and single ended Thermorail range*.

Designed for multi-rail installs

Thermorail 12Volt Rails can be installed on the mounting system in multiples, or just a single rail. The mounting plates can be joined together to form a channel against the wall for cabling.

Thermorail mounting system installation overview



5 Reasons to choose Thermorail Mounting System

- ✓ Easy cable management
- ✓ Perfectly level rails every time
- ✓ Ideal for multiple rail installation
- ✓ Ensure equal spacing
- ✓ Totally secure mounting

A new way to install 12V Rails

The unique mounting system, developed exclusively by Thermogroup enables you to install single bar towel rails easily and conveniently, in a two stage process.

The mounting system can be fitted to the wall and all wiring can then be completed. The rail fixings are set and the rail removed to allow the tiler unimpaird access to the wall for easy tiling.

Once the tiles are installed the rail can be mounted on the bracket and the concealed electrical connections can be made. Up to 10 rails can be fixed at 100mm centres.

Thermorail 12V Multi-rail Mounting System

STOCK NO	DESCRIPTION	SIZE MM	UNIT	RRP EXCL \$	RRP INCL \$
7060	SRMS Mounting System	1000H x 110W x 10D	ea	180.91	199.00
7062	Accessory Spigot (For 12V Single Bar Rails)		ea	10.91	12.00

Please Note: Spigots must be purchased when ordering 12 Volt Single Bar Rails for installation with the Mounting System. One Spigot (7062) needed per rail.

*SRMS Mounting System is not suitable for use with DSS6BR & DSC6



LEFT OR RIGHT HAND
INSTALLATION

12VOLT
UNITS

EASY INSTALLATION WITH
MOUNTING SYSTEM

POLISHED 304 GRADE
STAINLESS STEEL



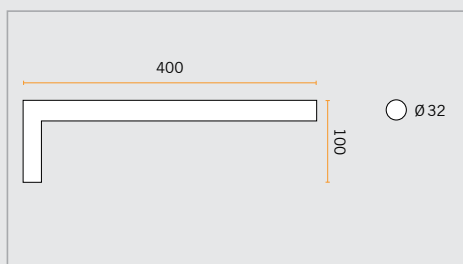
12V Single Ended Range

thermorail
ELECTRIC HEATED TOWEL RAILS

Our massively popular 12V single bar towel rails are now available in a striking new single ended design. Typically these rails are mounted at 200mm spacing however this can be varied to suit designs. Usually single bar rails are mounted in sets of three or four rails but the design allows you to mount as many as required in a set or just as one hand towel rail.



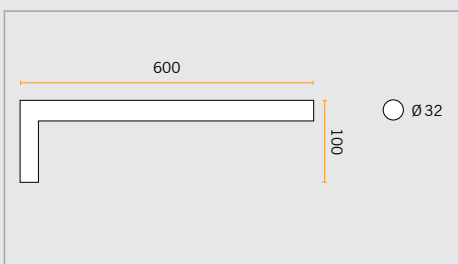
SER4 Round Profile - Polished



Size (mm): W400 x H32 x D100



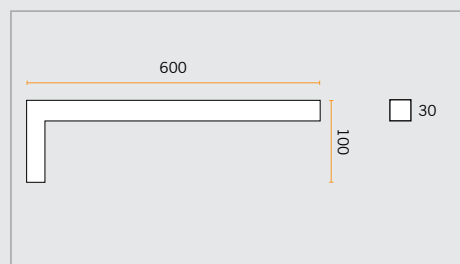
SER6 Round Profile - Polished



Size (mm): W600 x H32 x D100



SES6 Square Profile - Polished



Size (mm): W600 x H30 x D100

Thermorail™ Single Ended 12V

STOCK NO	OUTPUT W	RRP EXCL \$	RRP INCL \$
SER4	12	180.91	199.00

Thermorail™ Single Ended 12V

STOCK NO	OUTPUT W	RRP EXCL \$	RRP INCL \$
SER6	17	204.55	225.00

Thermorail™ Single Ended 12V

STOCK NO	OUTPUT W	RRP EXCL \$	RRP INCL \$
SES6	17	217.27	239.00

Mounting your single ended rail

The single ended rails feature a mounting spigot designed to be mounted on the wall before tiling. If you mount this spigot in the wall you can use either the sleek dress ring or have a clean finish with the rail directly against the wall.



If you need to retrofit the single ended towel rail you can simply mount the spigot to the wall surface and use the retrofit dress ring to conceal the mounting spigot.



5 Reasons for Single Ended Rails

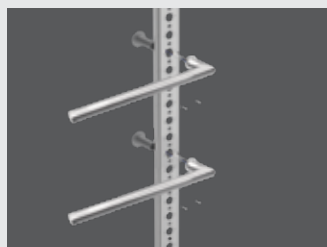
- ✓ Unique minimalist design
- ✓ Self regulating cable
- ✓ Easy hanging of towels
- ✓ Retrofit dress ring option
- ✓ Safe to use in bathrooms

Thermorail™ Single Ended Dress Ring

STOCK NO	SHAPE	RRP EXCL \$	RRP INCL \$
7064	Round	20.00	22.00
7066	Square	20.00	22.00

Easy Installation with the new Mounting System

The Thermorail Mounting System is an innovative design that ensures equal spacing and easy cable management when installing multiple towel rails. You can detach and run the cables first, then install the fixing rail. Once your tiling is complete your rails can be installed seamlessly. See Pg. 83 for details.





thermorail

ELECTRIC HEATED TOWEL RAILS

12V Range



12V

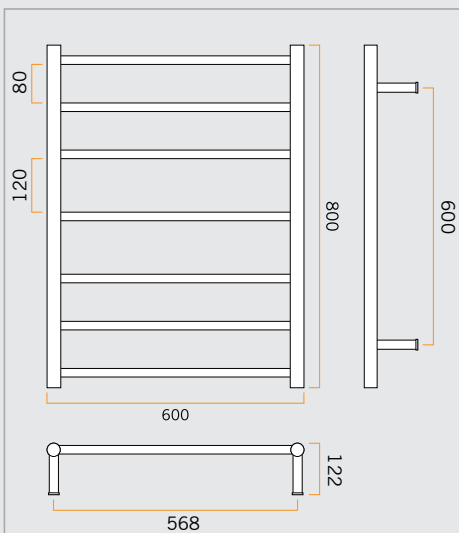


12V



12V

SR4412 Round Profile

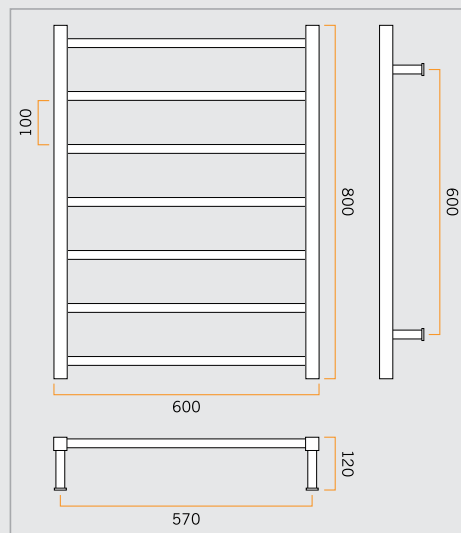


Size (mm): W600 x H800 x D122

The SR4412 12Volt heated towel rail is designed to be installed anywhere in the bathroom, giving a true sense of luxury.

- Left or right hand concealed wiring
- 7 Horizontal Bars
- Straight Round Bars
- 90 Watt output
- 22mm Round Horizontal Bars
- 32mm Round Vertical Bars
- Polished 304 Grade Stainless Steel
- Includes 12Volt Transformer
- 10 Year warranty

SS4412 Square Profile

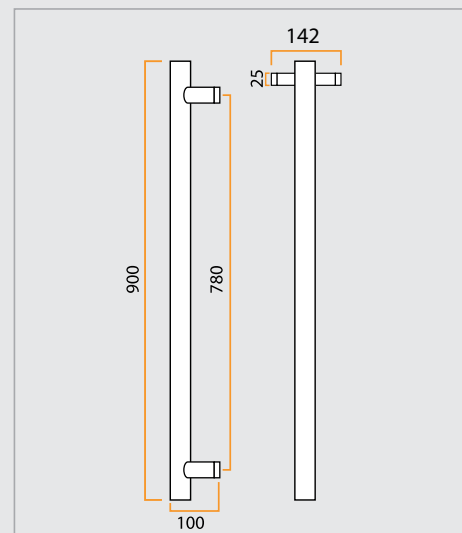


Size (mm): W600 x H800 x D120

The SS4412 12Volt heated towel rail is designed to be installed anywhere in the bathroom, perfect for the whole family.

- Left or right hand concealed wiring
- 7 Horizontal Bars
- Straight Square Bars
- 90 Watt output
- 19 x 19mm Square Horizontal Bars
- 30 x 30mm Square Vertical Bars
- Polished 304 Grade Stainless Steel
- Includes 12Volt Transformer
- 10 Year warranty

VS900H Round Profile + Hook



Size (mm): W142 x H900 x D100

The VS900H Vertical heated towel rail will give your bathroom a unique modern look, while still having a warm towel.

- Concealed wiring only
- 38mm Straight Round Vertical Bar
- 30 Watt output
- Polished 304 Grade Stainless Steel
- Optional Hook - can be removed
- Includes 12Volt Transformer
- 10 Year warranty
- Sold individually

Thermorail™ SR4412

STOCK NO	RRP EXCL \$	RRP INCL \$
SR4412	453.64	499.00

Thermorail™ SS4412

STOCK NO	RRP EXCL \$	RRP INCL \$
SS4412	490.00	539.00

Thermorail™ VS900H

STOCK NO	RRP EXCL \$	RRP INCL \$
VS900H	271.82	299.00

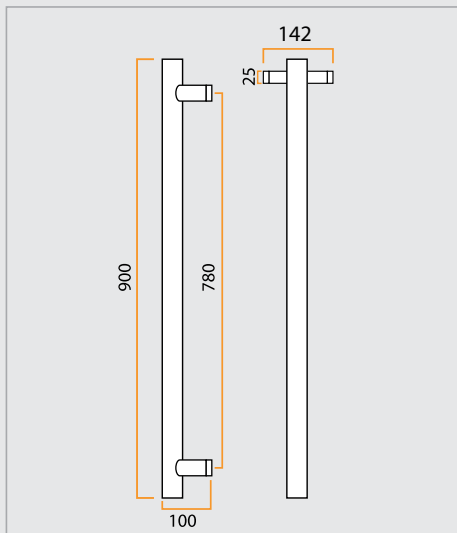
12V Range

thermorail

ELECTRIC HEATED TOWEL RAILS



VS900HB Round Profile + Hook



Size (mm): W142 x H900 x D100

The vertical heated towel rail is now available in Matt Black finish, perfect for any modern bathroom.

- Concealed wiring only
- 38mm Straight Round Vertical Bar
- 30 Watt output
- Matt Black Coated Finish
- Optional Hook - can be removed
- Includes 12Volt Transformer
- 7 Year warranty
- Sold individually

Thermorail™ VS900HB

STOCK NO	RRP EXCL \$	RRP INCL \$
VS900HB	299.09	329.00

Why choose a 12V Thermorail?

Low Voltage...

This range all have low voltage enabling them to be safely located anywhere in your bathroom or wet areas allowing you to have full flexibility with your bathroom design.

Transformer Included...

All of the Thermorail 12Volt Range come with a 12Volt transformer meaning, the only additional item you will require is a switch or timer to control the unit, everything comes as one package and there are no additional costs involved.

Models to Suit all Needs...

Within the Thermorail 12 Volt Range there is a variety of different styles to suit everyone's needs. You can choose from Single Bars, Single Ended Rails, Ladder Rails or Vertical Rails with options of Polished Stainless Steel, Brushed Stainless Steel, Black and White finishes.

Premium Quality...

All of the 12Volt Thermorail range are designed and manufactured to last using only the highest quality products such as 304 grade of Stainless Steel providing you with the best quality rail.

Concealed Dry Electric Element...

All of the 12Volt Single Bars have a dry electric element that can only be concealed wired on the right hand side while the Ladder Rail models can be either left or right hand wired.

FREQUENTLY ASKED QUESTIONS

Where should the Transformer be installed?

The transformer needs to be installed outside Zone 1 and no further than two metres from the rail and can be installed in the ceiling or the wall cavity. The transformer must be well ventilated and located behind a switch plate or timer for easy access.

Do 12Volt Thermorails get as warm as standard 240Volt Thermorails?

The 12Volt Thermorail range will get as warm and dry your towels as efficiently as the standard 240Volt Thermorails. This is because the amount of heat output is related to the wattage of the rail rather than the voltage. So a 12Volt Thermorail will put out the same amount of heat as a 240Volt Thermorail with the same wattage.

How many Single Bar Rails can I have in a set?

The number of Single Bar 12Volt Rails that you include in a set is only limited by your imagination. To dry and warm your towels effectively you will need a minimum of 3 rails per set.



#304 STAINLESS STEEL

MULTIFLEX WIRING

10 YEAR WARRANTY

Thermotouch 4.3dC dual control



Use the Thermotouch 4.3dC to control your towel rail as well as your underfloor heating system.
See Pg. 102 for details

Model shown: SR23M



Straight Round Range

thermorail
ELECTRIC HEATED TOWEL RAILS



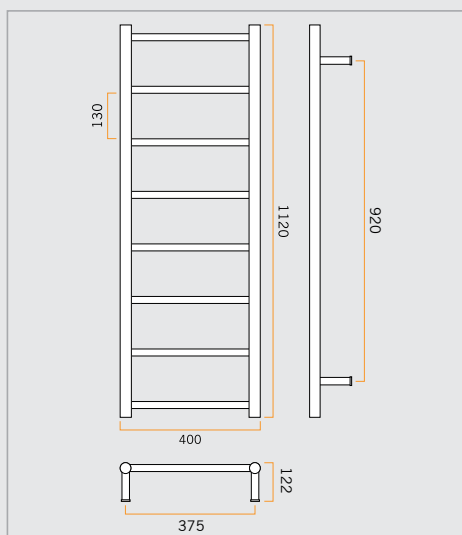
SR17M Round Profile



SR23M Round Profile



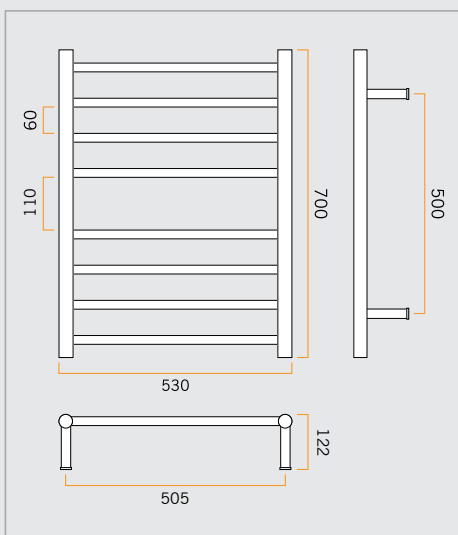
SR27M Round Profile



Size (mm): W400 x H1120 x D122

The 8 bar SR17M rail is a sleek looking rail suitable for narrow spaces or bathrooms with limited wall space.

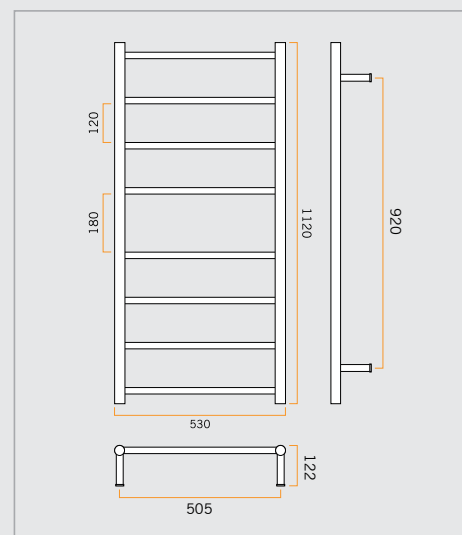
- Multiflex wiring - concealed or exposed
- 8 Horizontal Bars
- 65 Watt output
- 19mm Round Horizontal Bars
- 32mm Round Vertical Bars
- Polished 304 Grade Stainless Steel
- IP55 protection rating
- 10 Year warranty



Size (mm): W530 x H700 x D122

The 8 bar SR23M rail is a great size that can fit many different size spaces. Ideal for a small family bathroom.

- Multiflex wiring - concealed or exposed
- 8 Horizontal Bars
- 76 Watt output
- 19mm Round Horizontal Bars
- 32mm Round Vertical Bars
- Polished 304 Grade Stainless Steel
- IP55 protection rating
- 10 Year warranty



Size (mm): W530 x H1120 x D122

The 8 bar SR27M is ideal for small to medium bathroom spaces. Perfect for the latest style bathrooms and wetrooms.

- Multiflex wiring - concealed or exposed
- 8 Horizontal Bars
- 80 Watt output
- 19mm Round Horizontal Bars
- 32mm Round Vertical Bars
- Polished 304 Grade Stainless Steel
- IP55 protection rating
- 10 Year warranty

Thermorail™ SR17M

STOCK NO	RRP EXCL \$	RRP INCL \$
SR17M	403.64	444.00

Thermorail™ SR23M

STOCK NO	RRP EXCL \$	RRP INCL \$
SR23M	354.55	390.00

Thermorail™ SR27M

STOCK NO	RRP EXCL \$	RRP INCL \$
SR27M	544.55	599.00



Straight Round Range



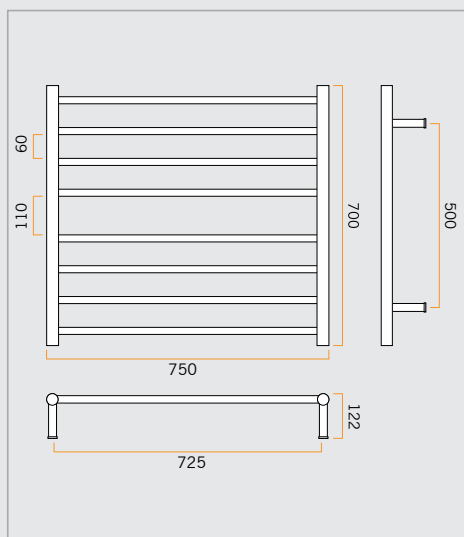
SR33M Round Profile



SR44M Round Profile



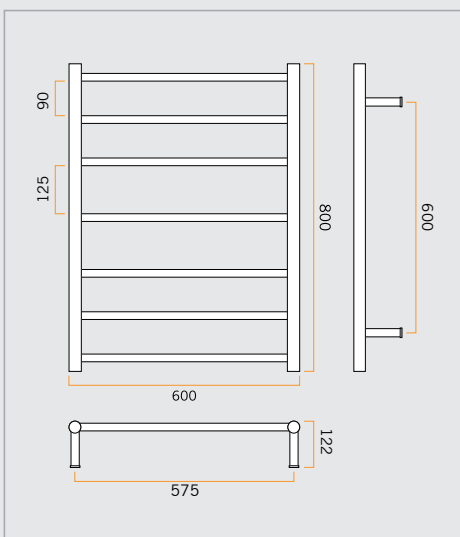
SR69M Round Profile



Size (mm): W750 x H700 x D122

The 8 bar SR33M rail is the perfect size for the small family bathroom or a couple's ensuite.

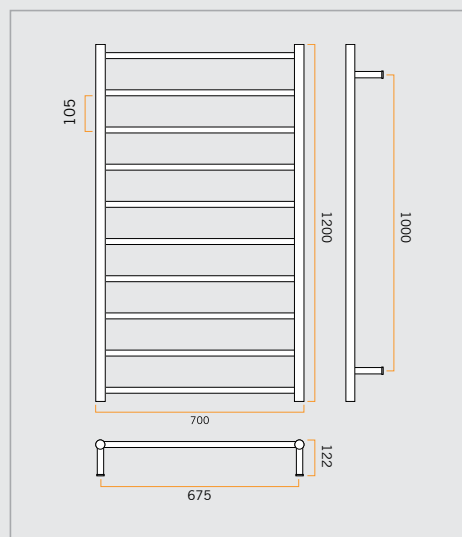
- Multiflex wiring - concealed or exposed
- 8 Horizontal Bars
- 104 Watt output
- 19mm Round Horizontal Bars
- 32mm Round Vertical Bars
- Polished 304 Grade Stainless Steel
- IP55 protection rating
- 10 Year warranty



Size (mm): W600 x H800 x D122

The 7 bar SR44M rail is the perfect size for any bathroom and is designed to comfortably warm two towels. See also switched model on Pg. 91 and 12Volt model on Pg. 86.

- Multiflex wiring - concealed or exposed
- 7 Horizontal Bars
- 80 Watt output
- 19mm Round Horizontal Bars
- 32mm Round Vertical Bars
- Polished 304 Grade Stainless Steel
- IP55 protection rating
- 10 Year warranty



Size (mm): W700 x H1200 x D122

The 10 bar SR69M is designed with abundance of hanging space providing plenty of room for the entire family to warm their towels.

- Multiflex wiring - concealed or exposed
- 10 Horizontal Bars
- 128 Watt output
- 19mm Round Horizontal Bars
- 32mm Round Vertical Bars
- Polished 304 Grade Stainless Steel
- IP55 protection rating
- 10 Year warranty

Thermorail™ SR33M		
STOCK NO	RRP EXCL \$	RRP INCL \$
SR33M	396.36	436.00

Thermorail™ SR44M		
STOCK NO	RRP EXCL \$	RRP INCL \$
SR44M	362.73	399.00

Thermorail™ SR69M		
STOCK NO	RRP EXCL \$	RRP INCL \$
SR69M	559.09	615.00

Straight Round Range



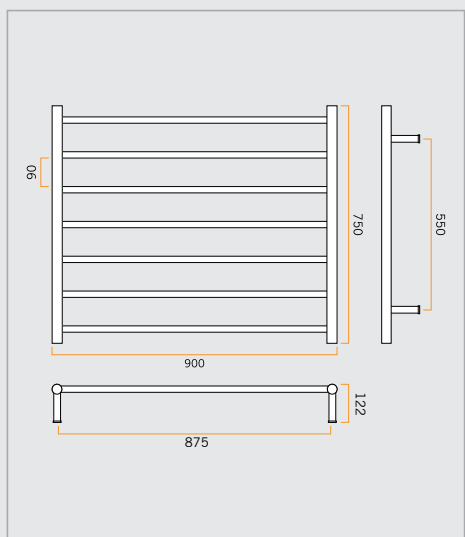
SR93M Round Profile



SR99M Round Profile



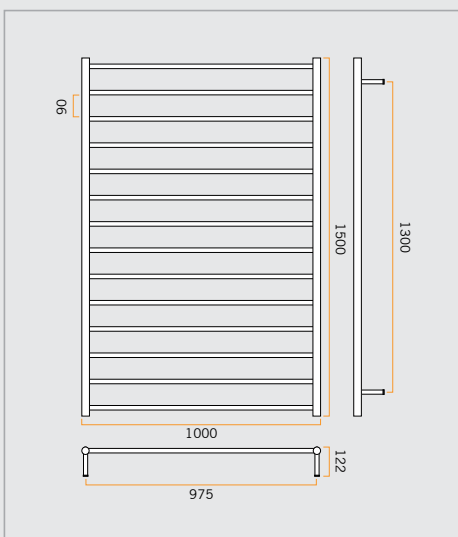
SR44SM Round Profile



Size (mm): W900 x H750 x D122

The 7 bar SR93M is an extra wide, low height rail and is perfect for wall spaces under windows.

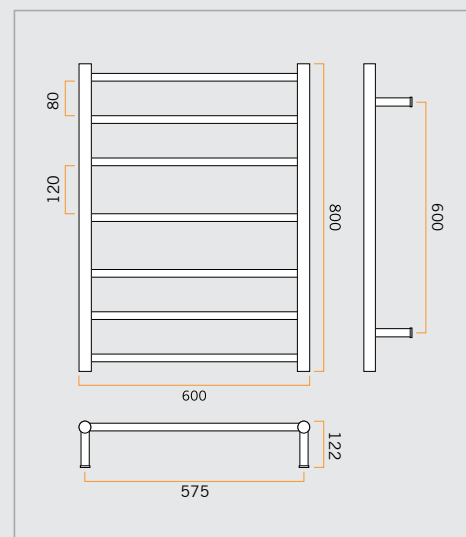
- Multiflex wiring - concealed or exposed
- 7 Horizontal Bars
- 100 Watt output
- 19mm Round Horizontal Bars
- 32mm Round Vertical Bars
- Polished 304 Grade Stainless Steel
- IP55 protection rating
- 10 Year warranty



Size (mm): W1000 x H1500 x D122

The 14 bar SR99M rail is ideal for the whole family to enjoy with ample space to hang numerous towels to dry.

- Multiflex wiring - concealed or exposed
- 14 Horizontal Bars
- 244 Watt output
- 19mm Round Horizontal Bars
- 32mm Round Vertical Bars
- Polished 304 Grade Stainless Steel
- IP55 protection rating
- 10 Year warranty



Size (mm): W600 x H800 x D122

The 7 bar SR44SM heated towel rail is the perfect size towel warmer for an ensuite or a small family bathroom with a simple on/off switch included.

- Multiflex wiring - concealed or exposed
- 7 Horizontal Bars with switch at bottom left
- 90 Watt output
- 22mm Round Horizontal Bars
- 32mm Round Vertical Bars
- Polished 304 Grade Stainless Steel
- IP55 protection rating
- 10 Year warranty

Thermorail™ SR93M		
STOCK NO	RRP EXCL \$	RRP INCL \$
SR93M	635.45	699.00

Thermorail™ SR99M		
STOCK NO	RRP EXCL \$	RRP INCL \$
SR99M	780.91	859.00

Thermorail™ SR44SM		
STOCK NO	RRP EXCL \$	RRP INCL \$
SR44SM	404.55	445.00



Curved Round Range



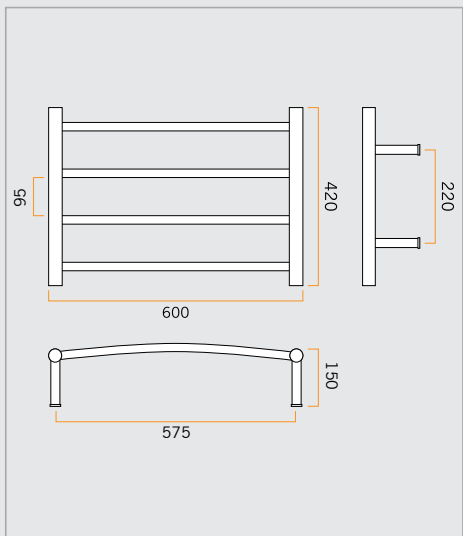
CR40M Round Profile



CR44M Round Profile



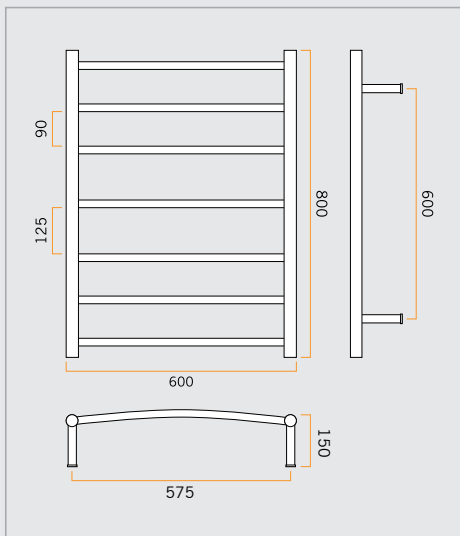
CR27M Round Profile



Size (mm): W600 x H420 x D150

The 4 bar CR40M is small stylish towel rail designed to provide warm towels in small bathrooms with limited wall space.

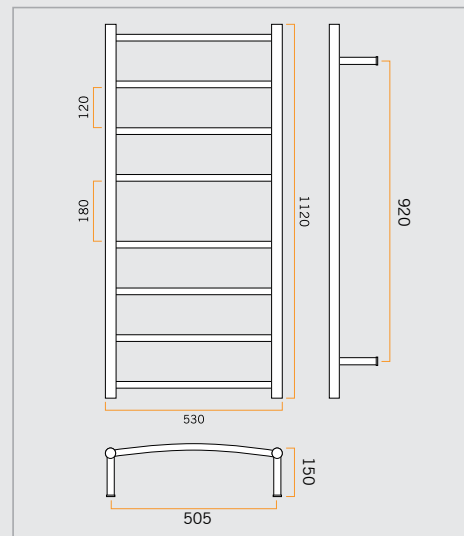
- Multiflex wiring - concealed or exposed
- 4 Horizontal Bars
- 45 Watt output
- 19mm Round Horizontal Bars
- 32mm Round Vertical Bars
- Polished 304 Grade Stainless Steel
- IP55 protection rating
- 10 Year warranty



Size (mm): W600 x H800 x D150

The 7 bar CR44M heated towel rail is the perfect heated rail to keep two towels, comfortable and warm for the next use.

- Multiflex wiring - concealed or exposed
- 7 Horizontal Bars
- 80 Watt output
- 19mm Round Horizontal Bars
- 32mm Round Vertical Bars
- Polished 304 Grade Stainless Steel
- IP55 protection rating
- 10 Year warranty



Size (mm): W530 x H1120 x D150

The 8 bar CR27M towel rail is narrow but tall with abundance of space to hang towels for the whole family.

- Multiflex wiring - concealed or exposed
- 8 Horizontal Bars
- 82 Watt output
- 19mm Round Horizontal Bars
- 32mm Round Vertical Bars
- Polished 304 Grade Stainless Steel
- IP55 protection rating
- 10 Year warranty

Thermorail™ CR40M		
STOCK NO	RRP EXCL \$	RRP INCL \$
CR40M	422.73	465.00

Thermorail™ CR44M		
STOCK NO	RRP EXCL \$	RRP INCL \$
CR44M	453.64	499.00

Thermorail™ CR27M		
STOCK NO	RRP EXCL \$	RRP INCL \$
CR27M	590.00	649.00

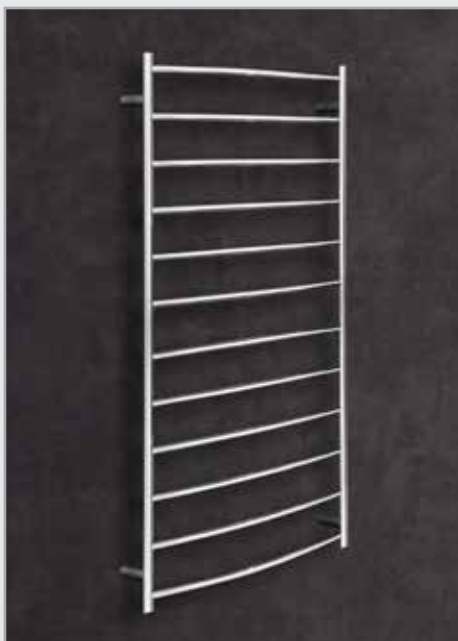


Curved Round Range

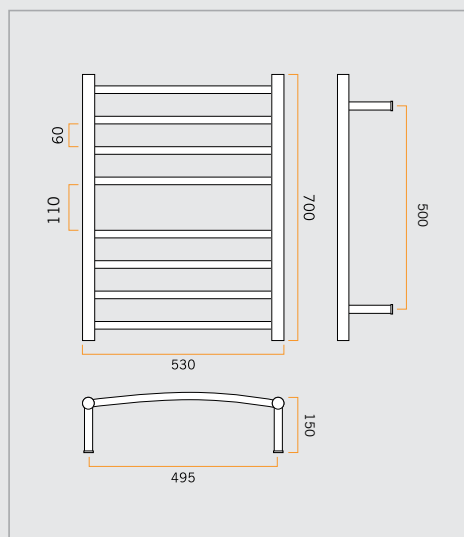
thermorail
ELECTRIC HEATED TOWEL RAILS



CR23M Round Profile



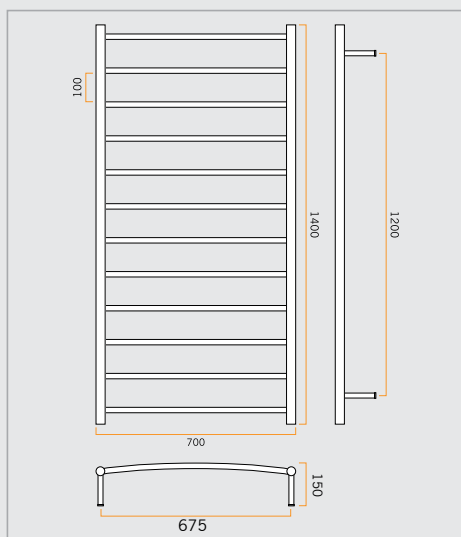
CR69M Round Profile



Size (mm): W530 x H700 x D150

The 8 bar CR23M heated towel rail is the perfect size towel warmer for an ensuite or a small family bathroom.

- Multiflex wiring - concealed or exposed
- 8 Horizontal Bars
- 78 Watt output
- 19mm Round Horizontal Bars
- 32mm Round Vertical Bars
- Polished 304 Grade Stainless Steel
- IP55 protection rating
- 10 Year warranty



Size (mm): W700 x H1400 x D150

The 12 bar CR69M heated towel rail is the pick of the bunch designed for large wall spaces to give the whole family a beautifully warm towel.

- Multiflex wiring - concealed or exposed
- 12 Horizontal Bars
- 153 Watt output
- 19mm Round Horizontal Bars
- 32mm Round Vertical Bars
- Polished 304 Grade Stainless Steel
- IP55 protection rating
- 10 Year warranty

Thermorail™ CR23M

STOCK NO	RRP EXCL \$	RRP INCL \$
CR23M	422.73	465.00

Thermorail™ CR69M

STOCK NO	RRP EXCL \$	RRP INCL \$
CR69M	717.27	789.00

FREQUENTLY ASKED QUESTIONS

How do I control my Heated Towel Rail?

Thermorails are safe to be left running continuously however most times it is preferable to have the ability to control when your heated towel rail is on and off and thus saving you energy. The majority of the range of Thermorails don't have a switch on the unit but can be very simply wired to standard switch. Alternatively you can wire the Thermorail to a timer that can be programmed to turn on and off to suit your lifestyle. See Thermorail Timers on Pg. 102.

Can I retrofit a heated towel rail into an existing bathroom?

The majority of the Thermorail range (excluding the 12Volt Range) have the option to have exposed wiring. This means that the heated towel rail can be very easily mounted to your wall in an existing bathroom and plugged into a nearby power point meaning that no wiring is required in the wall or roof cavity.

When ordering a Thermorail do I need to specify which wiring option I require?

Any Thermorail that has Multiflex wiring (symbolised by an 'M' at the end of the code) has the option of being concealed or exposed wired at any of the four mounting points. All the parts required for any of these mounting options come as standard with the Thermorail – you do not need to purchase anything extra or specify the wiring required, this can be decided at the time of installation.



Straight Square Range



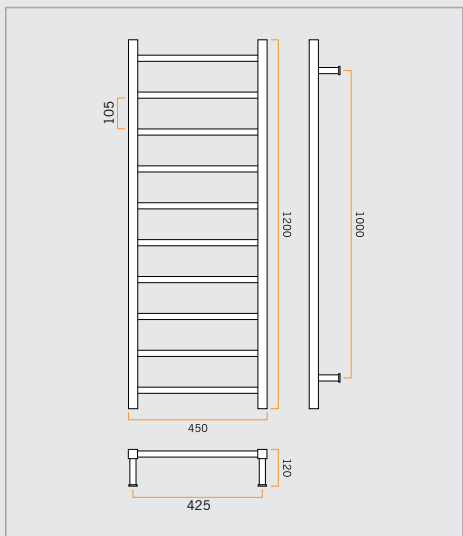
SS19M Square Profile



SS40M Square Profile



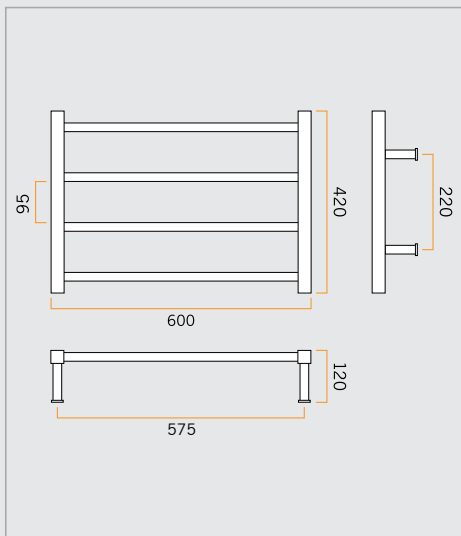
SS44M Square Profile



Size (mm): W450 x H1200 x D120

The slimline 10 bar SS19M heated towel rail is a sleek looking rail designed for narrow spaces.

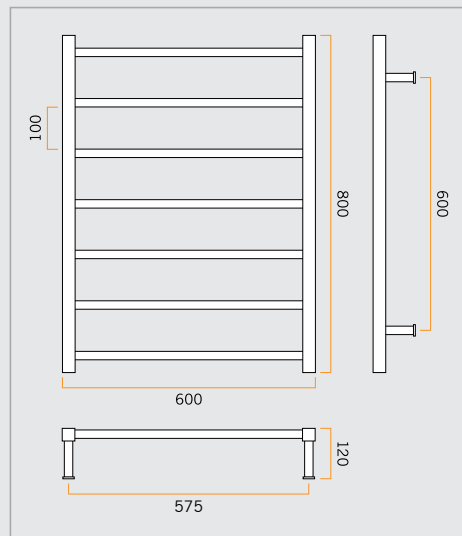
- Multiflex wiring - concealed or exposed
- 10 Horizontal Bars
- 89 Watt output
- 19 x 19mm Square Horizontal Bars
- 30 x 30mm Square Vertical Bars
- Polished 304 Grade Stainless Steel
- IP55 protection rating
- 10 Year warranty



Size (mm): W600 x H420 x D120

The 4 bar SS40M is small stylish towel rail designed to provide warm towels in small bathrooms with limited wall space.

- Multiflex wiring - concealed or exposed
- 4 Horizontal Bars
- 47 Watt output
- 19 x 19mm Square Horizontal Bars
- 30 x 30mm Square Vertical Bars
- Polished 304 Grade Stainless Steel
- IP55 protection rating
- 10 Year warranty



Size (mm): W600 x H800 x D120

The 7 bar SS44M heated towel rail is sleek looking and is the perfect size to complete your bathroom. See also 12Volt model on Pg. 86.

- Multiflex wiring - concealed or exposed
- 7 Horizontal Bars
- 83 Watt output
- 19 x 19mm Square Horizontal Bars
- 30 x 30mm Square Vertical Bars
- Polished 304 Grade Stainless Steel
- IP55 protection rating
- 10 Year warranty

Thermorail™ SS19M		
STOCK NO	RRP EXCL \$	RRP INCL \$
SS19M	471.82	519.00

Thermorail™ SS40M		
STOCK NO	RRP EXCL \$	RRP INCL \$
SS40M	362.73	399.00

Thermorail™ SS44M		
STOCK NO	RRP EXCL \$	RRP INCL \$
SS44M	408.18	449.00



Straight Square Range



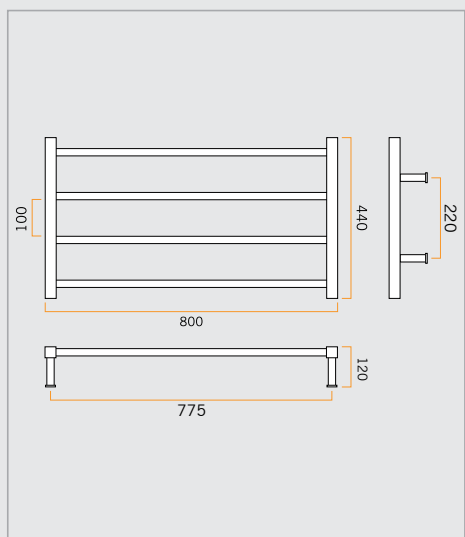
SS81M Square Profile



SS88M Square Profile



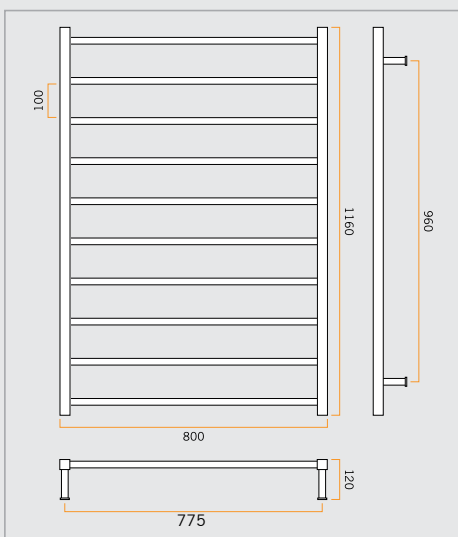
SRS54M Square Uprights & Round Bars



Size (mm): W800 x H440 x D120

The 4 bar SS81M heated towel rail is great for under windows and small places usually not suited for a towel rail installation.

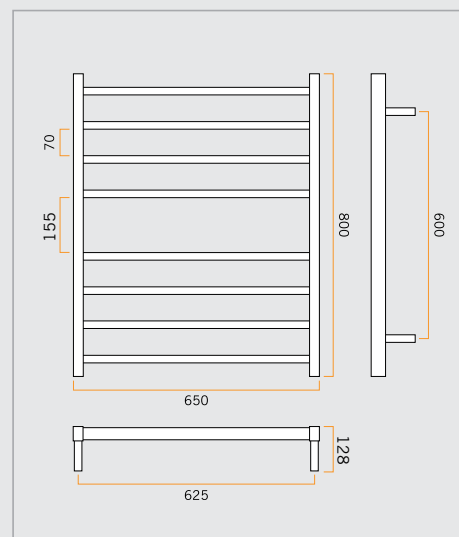
- Multiflex wiring - concealed or exposed
- 4 Horizontal Bars
- 61 Watt output
- 19 x 19mm Square Horizontal Bars
- 30 x 30mm Square Vertical Bars
- Polished 304 Grade Stainless Steel
- IP55 protection rating
- 10 Year warranty



Size (mm): W800 x H1160 x D120

The 10 Bar SS88M is a large heated towel rail designed to offer the whole family the comfort and luxury of a warm towel.

- Multiflex wiring - concealed or exposed
- 10 Horizontal Bars
- 153 Watt output
- 19 x 19mm Square Horizontal Bars
- 30 x 30mm Square Vertical Bars
- Polished 304 Grade Stainless Steel
- IP55 protection rating
- 10 Year warranty



Size (mm): W650 x H800 x D128

The 8 bar SRS54M has rectangular uprights with round bars combining the square look with the functionality of round bars.

- Multiflex wiring - concealed or exposed
- 8 Horizontal Bars
- 105 Watt output
- 22mm Round Horizontal Bars
- 25 x 38mm Rectangular Vertical Bars
- Polished 304 Grade Stainless Steel
- IP55 protection rating
- 10 Year warranty

Thermorail™ SS81M		
STOCK NO	RRP EXCL \$	RRP INCL \$
SS81M	480.91	529.00

Thermorail™ SS88M		
STOCK NO	RRP EXCL \$	RRP INCL \$
SS88M	635.45	699.00

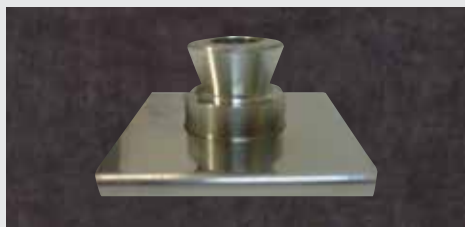
Thermorail™ SRS54M		
STOCK NO	RRP EXCL \$	RRP INCL \$
SRS54M	531.82	585.00



thermorail

ELECTRIC HEATED TOWEL RAILS

Dress Rings are available in both a square and round design and give a neat, finished off appearance to heated towel rails. These dress rings are only suitable to use with the SR, SS, CR and budget ranges. Dress rings can also be used for covering up small damages, cracks or holes that can occur during installation.



Thermorail dress rings

STOCK NO	SIZE (MM)	RRP EXCL \$	RRP INCL \$
DS11	44 x 44	40.00	44.00
DR11	40Ø	40.00	44.00

Thermodrill provides the solution to drilling hard tiles such as porcelain when mounting Thermorails. Thermodrills come in a kit with 2 x 4mm pilot drills and a 6, 8, 10 or 12mm drill. Thermodrill features dry drilling without the need of a drill guide saving you time and effort.

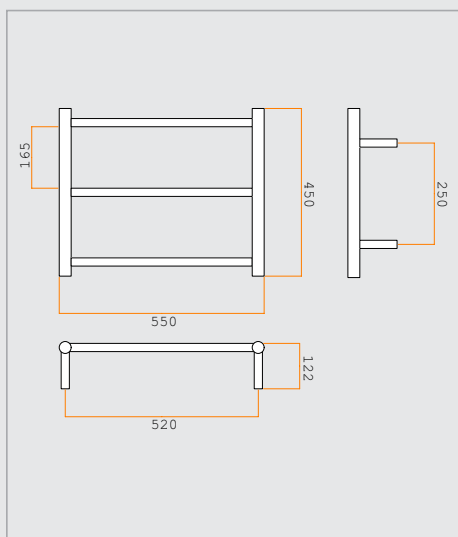


Thermodrill

STOCK NO	SIZE (MM)	RRP EXCL \$	RRP INCL \$
TD4	4	9.00	9.90
TD6	6	30.91	34.00
TD8	8	32.73	36.00
TD10	10	35.45	39.00
TD12	12	38.18	42.00



BS24M Round Profile



Size (mm): W550 x H450 x D122

The 3 bar straight round BS24M towel rail is designed to suit the budget and warms towels in small bathrooms.

- Multiflex wiring - concealed or exposed
- 3 Horizontal Bars
- 33 Watt output
- 19mm Round Horizontal Bars
- 32mm Round Vertical Bars
- Polished 201 Grade Stainless Steel
- IP55 protection rating
- 7 Year warranty

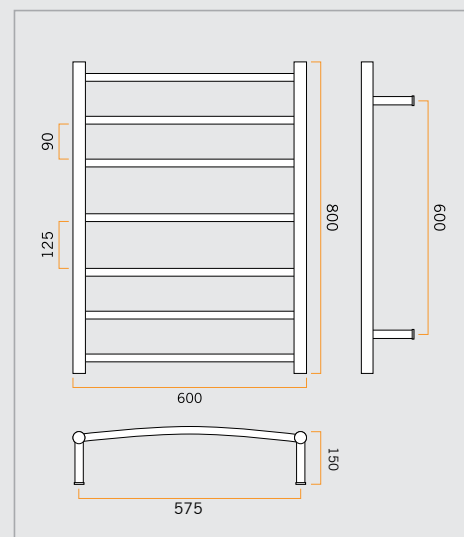
Thermorail™ BS24M

STOCK NO	RRP EXCL \$	RRP INCL \$
BS24M	180.91	199.00

Budget Range



BC44M Round Profile



Size (mm): W600 x H800 x D150

The 7 bar curved BC44M towel rail offers you all the benefits of a Thermorail whilst keeping your budget in mind. Premium Range model on Pg. 92.

- Multiflex wiring - concealed or exposed
- 7 Horizontal Bars
- 80 Watt output
- 19mm Round Curved Horizontal Bars
- 32mm Round Vertical Bars
- Polished 201 Grade Stainless Steel
- IP55 protection rating
- 7 Year warranty

Thermorail™ BC44M

STOCK NO	RRP EXCL \$	RRP INCL \$
BC44M	335.45	369.00



Budget Range

thermorail
ELECTRIC HEATED TOWEL RAILS



BS44M Round Profile

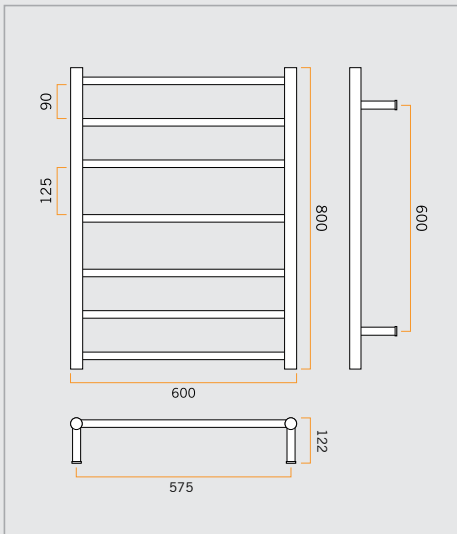
**BEST
SELLER**



BS46M Round Profile



BS28M Square Profile

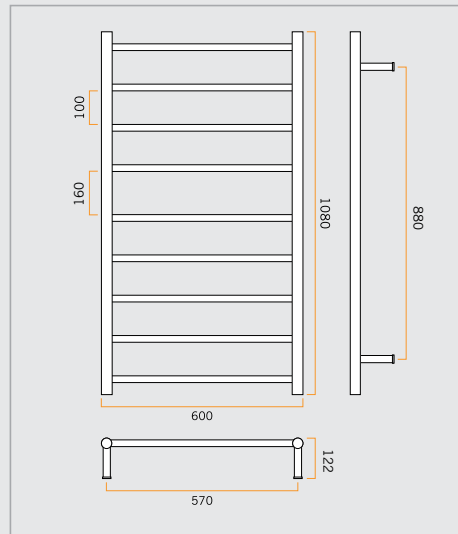


Size (mm): W600 x H800 x D122

The BS44M is the most popular rail of the range with it's size and style making it the perfect option for any bathroom.

Premium Range model on Pg. 90

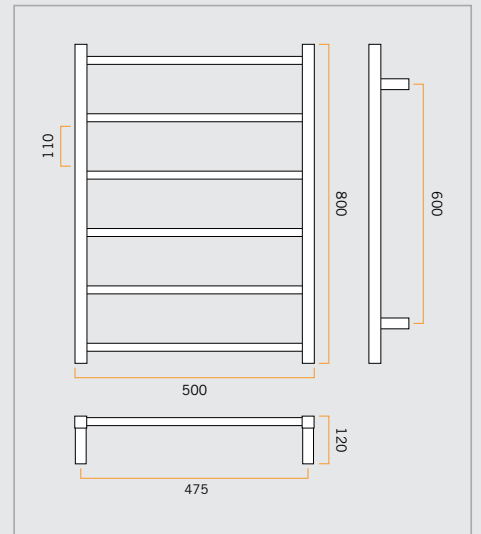
- Multiflex wiring - concealed or exposed
- 7 Horizontal Bars
- 80 Watt output
- 19mm Round Horizontal Bars
- 32mm Round Vertical Bars
- Polished 201 Grade Stainless Steel
- IP55 protection rating
- 7 Year warranty



Size (mm): W600 x H1080 x D122

The BS46M offers you a large heated towel rail to warm the towels for the whole family whilst still at an extremely affordable price.

- Multiflex wiring - concealed or exposed
- 9 Horizontal Bars
- 103 Watt output
- 19mm Round Horizontal Bars
- 32mm Round Vertical Bars
- Polished 201 Grade Stainless Steel
- IP55 protection rating
- 7 Year warranty



Size (mm): W500 x H800 x D120

The BS28M is a 6 bar square towel rail, designed to fit seamlessly into your bathroom whilst being affordable.

- Multiflex wiring - concealed or exposed
- 6 Horizontal Bars
- 81 Watt output
- 30 x 15mm Rectangular Horizontal Bars
- 30 x 30mm Square Vertical Bars
- Polished 201 Grade Stainless Steel
- IP55 protection rating
- 7 Year warranty

Thermorail™ BS44M

STOCK NO	RRP EXCL \$	RRP INCL \$
BS44M	326.36	359.00

Thermorail™ BS46M

STOCK NO	RRP EXCL \$	RRP INCL \$
BS46M	377.27	415.00

Thermorail™ BS28M

STOCK NO	RRP EXCL \$	RRP INCL \$
BS28M	362.73	399.00



Straight Flat & SB Range



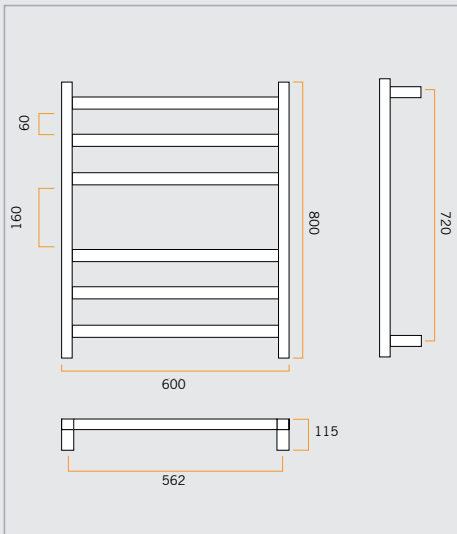
SFS44M Flat Profile



SFS69M Flat Profile



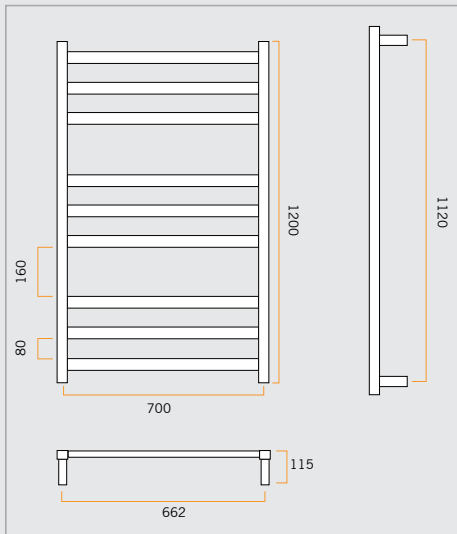
SB34M Round Profile



Size (mm): W600 x H800 x D115

The SFS44M has wider flat bars allowing more warmth to be transferred to the towel whilst creating a complementary design for any other square fittings.

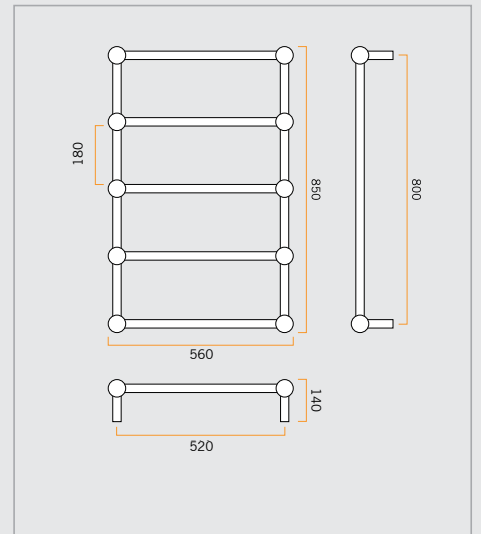
- Multiflex wiring - concealed or exposed
- 6 Horizontal Bars
- 90 Watt output
- 40 x 20mm Flat Horizontal Bars
- 38 x 25mm Flat Vertical Bars
- Polished 304 Grade Stainless Steel
- IP55 protection rating
- 10 Year warranty



Size (mm): W700 x H1200 x D115

The 9 bar SFS69M rail is designed to look at home in a modern bathroom, with wider bars to allow more warmth to transfer to the towels.

- Multiflex wiring - concealed or exposed
- 9 Horizontal Bars
- 160 Watt output
- 40 x 20mm Flat Horizontal Bars
- 38 x 25mm Flat Vertical Bars
- Polished 304 Grade Stainless Steel
- IP55 protection rating
- 10 Year warranty



Size (mm): W560 x H850 x D140

The SB34M rail combines the traditional heritage look with the elegance of modern living. These rails feature polished round tubes with ball joints.

- Multiflex wiring - concealed or exposed
- 5 Horizontal Bars
- 60 Watt output
- 19mm Round Horizontal Bars
- 25mm Round Vertical Bars
- Polished 304 Grade Stainless Steel
- IP55 protection rating
- 10 Year warranty

Thermorail™ SFS44M		
STOCK NO	RRP EXCL \$	RRP INCL \$
SFS44M	526.36	579.00

Thermorail™ SFS69M		
STOCK NO	RRP EXCL \$	RRP INCL \$
SFS69M	635.45	699.00

Thermorail™ SB34M		
STOCK NO	RRP EXCL \$	RRP INCL \$
SB34M	726.36	799.00



SB & Shelf Range

thermorail
ELECTRIC HEATED TOWEL RAILS



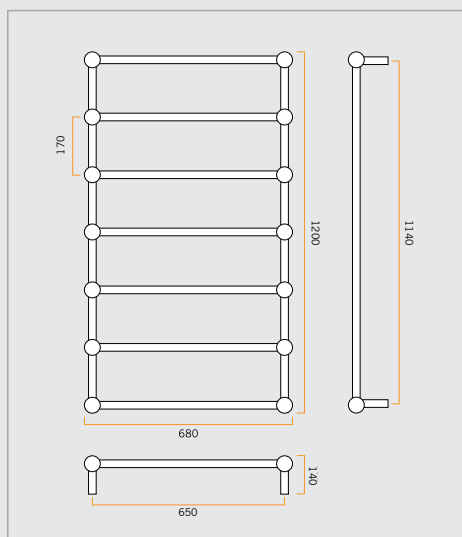
SB79M Round Profile



RSH38 Round Profile



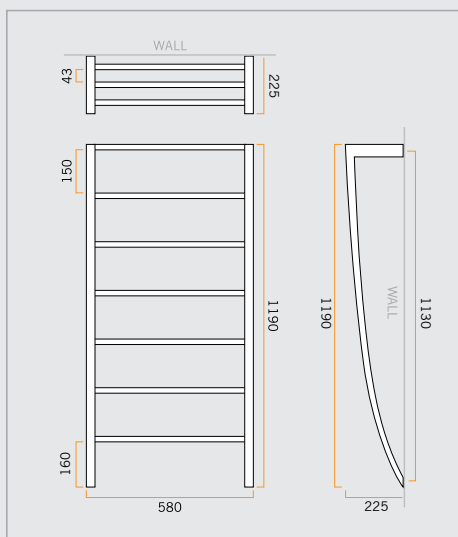
SH44M Round Profile



Size (mm): W680 x H1200 x D140

The SB79M rail combines the traditional heritage look with the elegance of modern living. These rails feature polished round tubes with ball joints.

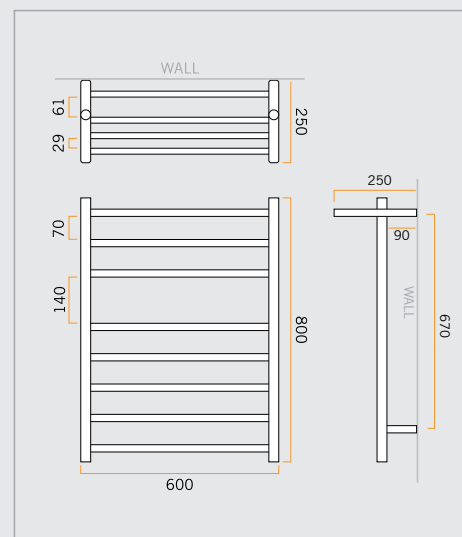
- Multiflex wiring - concealed or exposed
- 7 Horizontal Bars
- 100 Watt output
- 19mm Round Horizontal Bars
- 25mm Round Vertical Bars
- Polished 304 Grade Stainless Steel
- IP55 protection rating
- 10 Year warranty



Size (mm): W580 x H1190 x D225

Create a striking statement with the RSH38 rail. The non-heated shelf is ideal for storing extra towels and the curved uprights allows more space for towel drying.

- Top right hand concealed wiring only
- 6 Horizontal Bars
- 75 Watt output
- 19mm Round Horizontal Bars
- 32mm Round Vertical Bars
- Polished 304 Grade Stainless Steel
- IP55 protection rating
- 10 Year warranty



Size (mm): W600 x H800 x D250

The SH44M is a combination of functionality and style to create a superb looking yet practical rail with a non-heated shelf for towel storage.

- Bottom left or right hand side wiring
- 7 Horizontal Bars
- 87 Watt output
- 22mm Round Horizontal Bars
- 32mm Round Vertical Bars
- Polished 304 Grade Stainless Steel
- IP55 protection rating
- 10 Year warranty

Thermorail™ SB79M

STOCK NO	RRP EXCL \$	RRP INCL \$
SB79M	862.73	949.00

Thermorail™ RSH38

STOCK NO	RRP EXCL \$	RRP INCL \$
RSH38	713.64	785.00

Thermorail™ SH44M

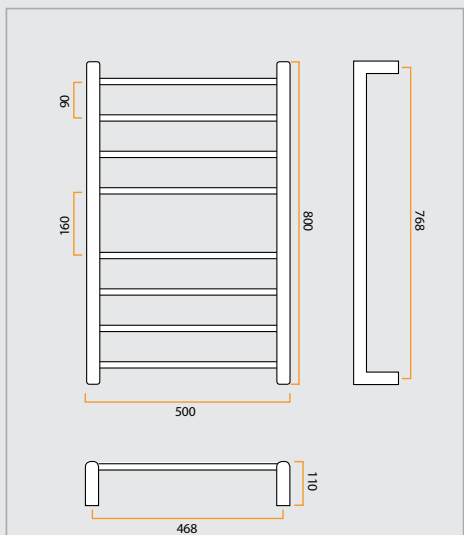
STOCK NO	RRP EXCL \$	RRP INCL \$
SH44M	499.09	549.00



Fixed Leg Range



RSL24R Round Profile



Size (mm): W500 x H800 x D110

The 8 bar RSL24R rail gives a streamlined look with the legs incorporated into the vertical of the bars. The wide uprights and slightly narrower bars create an elegant design.

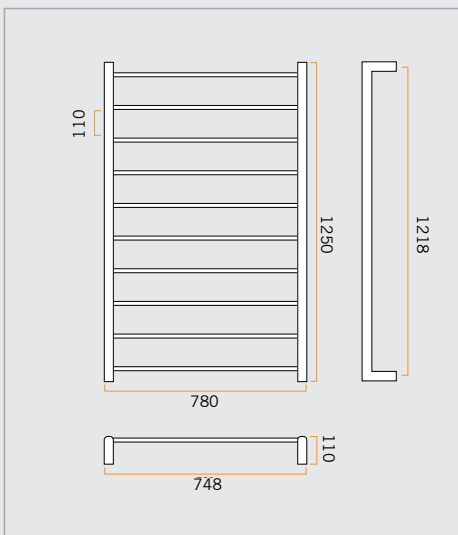
- Bottom right hand concealed wiring only
- 8 Horizontal Bars
- 75 Watt output
- 19mm Round Horizontal Bars
- 32mm Round Vertical Bars
- Polished 304 Grade Stainless Steel
- IP55 protection rating
- 10 Year warranty

Thermorail™ RSL24R

STOCK NO	RRP EXCL \$	RRP INCL \$
RSL24R	517.27	569.00



RSL79R Round Profile



Size (mm): W780 x H1250 x D110

The 10 bar RSL79R rail gives a streamlined look with the legs incorporated into the vertical of the bars. The large size offers you the perfect option for filling a large room.

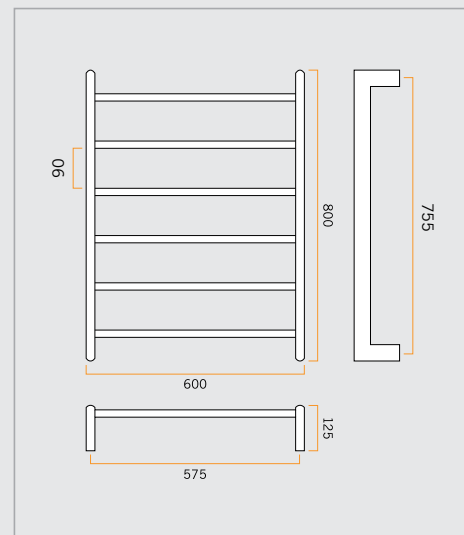
- Bottom right hand concealed wiring only
- 10 Horizontal Bars
- 142 Watt output
- 19mm Round Horizontal Bars
- 32mm Round Vertical Bars
- Polished 304 Grade Stainless Steel
- IP55 protection rating
- 10 Year warranty

Thermorail™ RSL79R

STOCK NO	RRP EXCL \$	RRP INCL \$
RSL79R	717.27	789.00



SO44 Oval Upright & Round Bars



Size (mm): W600 x H800 x D125

The 6 bar SO44 rail combines oval vertical tubing and fixed legs with round rails giving a truly sleek and neat finish.

- Bottom right hand concealed wiring only
- 6 Horizontal Bars
- 68 Watt output
- 19mm Round Horizontal Bars
- 25 x 45mm Oval Vertical Bars
- Polished 304 Grade Stainless Steel
- IP55 protection rating
- 10 Year warranty

Thermorail™ SO44

STOCK NO	RRP EXCL \$	RRP INCL \$
SO44	522.73	575.00

Box & Three Piece Range



NEW!



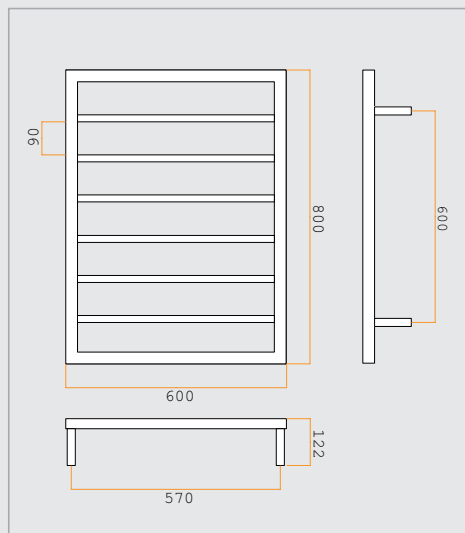
SBR44M Round Profile



SF389 Flat Profile



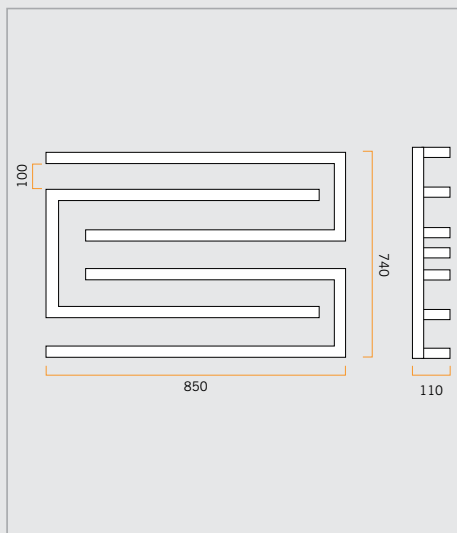
SF389B Flat Profile



Size (mm): W600 x H800 x D122

The SBR44M is a unique rail that will be the master piece of your bathroom while still giving you dry warm towels.

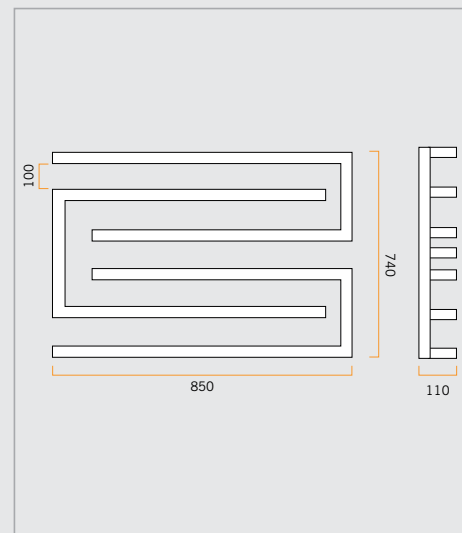
- Multiflex Wiring - concealed or exposed
- 6 Horizontal Bars
- 68 Watt output
- 19mm Round Horizontal Bars
- 32mm Round Vertical Bars
- Polished 304 Grade Stainless Steel
- IP55 protection rating
- 10 Year warranty



Size (mm): W850 x H740 x D110

A truly unique and amazing flat, straight, silver "U" shaped, 3 piece towel rail will take your bathroom from good to great.

- Left hand concealed wiring (One per piece)
- 6 Horizontal Bars
- 165 Watt output
- 40 x 20mm Flat Bars
- Polished 304 Grade Stainless Steel
- IP55 protection rating
- 10 Year warranty



Size (mm): W850 x H740 x D110

A truly unique and amazing, flat, straight, 3 piece, matt black towel rail that will transform your bathroom into something that your visitors will say "wow that's great!"

- Left hand concealed wiring (One per piece)
- 6 Horizontal Bars
- 165 Watt output
- 40 x 20mm Flat Bars
- Matt Black Coated Finish
- IP55 protection rating
- 7 Year warranty

Thermorail™ SBR44M		
STOCK NO	RRP EXCL \$	RRP INCL \$
SBR44M	499.09	549.00

Thermorail™ SF389		
STOCK NO	RRP EXCL \$	RRP INCL \$
SF389	726.36	799.00

Thermorail™ SF389B		
STOCK NO	RRP EXCL \$	RRP INCL \$
SF389B	817.27	899.00



Thermorail Timers

5245 / 5246 THERMOTOUCH 4.3dC



Thermotouch 4.3dC is an electric underfloor heating control with an extra 5Amp relay output.

This enables you to control your underfloor heating and towel rail from the same controller with individual switching times.

Thermotouch 4.3dC can also be used to control your mirror demisters. Black and white models available.

For more details and Wifi option see page 42.

- Dual floor heating and appliance control
- Compatible with popular sensor probes
- Portrait and landscape screen modes
- Smart, energy saving heating modes
- Boost function
- Available in Black and White
- W88 x H129 x D48 (31mm in wall)
- Fits standard electrical back box
- IP30 protection rating
- 16Amp Max Load (Floor heating relay)
- 5Amp Max Load (Rail relay)
- 20Amp Max Combined Load
- 3 Year warranty

Why choose the Thermotouch 4.3dC?

The Thermotouch 4.3dC is designed to control both your heated towel rail and your underfloor heating using the one controller.

This timer allows you to have individual programs for each whilst reducing the number of controllers on your bathroom wall.

TRTS 7 DAY TOUCHSCREEN TIMER



**BEST
SELLER**

The TRTS Thermorail Timer is a digital touchscreen timer ideal for controlling Thermorails.

With the TRTS Thermorail Timer you have the ability to program each day individually or 7 days the same or program week days to one schedule and weekends different.

This timer has 4 switching times (2on/2off) per day and is simple to program with large easy to read characters.

TRTSD dual relay timer available on request.

- Easy to program 7 Day Touchscreen Timer
- Portrait mounted screen
- Select all 7 days the same, 5+2 days or all 7 days different
- Two heating periods per day
- Easy to override when required
- W80 x H120 x D45mm (25mm in wall)
- IP30 protection rating
- 16Amp Max Load
- 2 Year warranty

Why choose the TRTS Touchscreen Timer?

The TRTS Thermorail Timer features a large touchscreen display and easy-to-read characters making it extremely easy for all to use.

Installing the TRTS ensures you always have warm and dry towels when you need them. The TRTS also has the most features and represents outstanding value for money.

TRT7W 7 DAY TIMER



The TRT7W is a simple to program timer which is ideal for switching Thermorails.

With 8 switching times (4on/4off per day) it can be programmed differently for each day of the week or set as a 5/2 program or set the same for each day of the week.

The TRT7W has a boost function which allows you to turn on your heated towel rail for a set amount of time without affecting the schedule.

- Easy to program button 7 Day Timer
- Select all 7 days the same, 5+2 days or all 7 days different
- Up to 4 heating periods per day
- Boost function which overrides timer program
- Holiday mode option
- Countdown timer mode
- W80 x H120 x D45mm (25mm in wall)
- IP20 protection rating
- 16Amp Max Load
- 2 Year warranty

Why choose the TRT7W 7 Day Timer?

The TRT7W timer features 8 switching times per day, allowing you to have it 'On' at 4 separate periods during the day.

Setting up a schedule in this way reduces energy consumption as the towel rail is only on when you need it. If you need a boost function between programs the TRT7W is the best choice.

Thermorail Timer - Thermotouch 4.3dC

STOCK NO	DESCRIPTION	RRP EXCL \$	RRP INCL \$
5245	White	362.73	399.00
5246	Black	404.55	445.00

Thermorail Timer - TRTS

STOCK NO	DESCRIPTION	RRP EXCL \$	RRP INCL \$
TRTS	White	135.45	149.00

Thermorail Timer - TRT7W

STOCK NO	DESCRIPTION	RRP EXCL \$	RRP INCL \$
TRT7W	White	WSL 199.09	219.00

WSL Only available while stock lasts

Thermorail Timers

thermorail
ELECTRIC HEATED TOWEL RAILS

ET12C ECO TIMER



The Eco Timer is a simple timing device designed to go behind the switch plate (supplied with the timer). The timer operates on a 12 hour schedule meaning it will be on at the same time morning and evening each day of the week.

The programmed time can be selected for a period from 1 to 11 hours and three heat settings can be selected: 50%, 75% or 100%.

- Easy to program 12 Hour Timer
- Repeats program every 12 hours
- Programmable from 1 to 11 hours
- Select from ½ or ¾ or full power
- Timer concealed behind switch plate
- Can be connected to spare switch on your light switch plate
- W70 x H85 x D10mm
- IP30 protection rating
- 16Amp Max Load
- 1 Year warranty

Why choose the ET12C Eco Timer?

The ET12C Eco Timer is extremely popular model as the timer is completely hidden behind a standard switch plate and can even be used with your spare switch on your light switch plate!

When looking for a simple timer with 2 programs a day always the same, this is the perfect choice.

Thermorail Timer - ET12C

STOCK NO	DESCRIPTION	RRP EXCL \$	RRP INCL \$
ET12C	White	67.27	74.00

EB11 BOOST SWITCH



The EB11 Boost Switch allows you to boost the heat for 4 different periods of time without having to remember to switch it off.

Your Thermorail will revert back to it's off mode after the selected amount of time thus reducing energy consumption.

- Simple press-button controller
- 4 Different time periods available (1, 2, 3 or 4 hours)
- Lights flash to indicate the end of the "On" period
- Reverts back to "Off" mode once the time period is complete
- Timing periods can be manually overridden
- W85 x H85 x D15mm
- IP20 protection rating
- 13Amp Max Load
- 3 Year warranty

Why choose the EB11 Boost Switch?

The EB11 Boost Switch allows you to simply press the boost button for the length of time required and it will revert back to "Off" mode when the selected time has elapsed.

You can switch the unit off during a boost period if required. This timer is for manual use only.

Thermorail Timer - EB11

STOCK NO	DESCRIPTION	RRP EXCL \$	RRP INCL \$
EB11	White	144.55	159.00

Why use a timer?

Thermorail timers allow you to control exactly when your Thermorail heated towel rail is 'On'.

This improves the efficiency of your rail, saving you energy and money and increasing the lifespan of the rail.

With a fully programmable timer it will mean your heated towel rail will never be left on accidentally while still offering the luxury of dry and warm towels when you need them.

Whether you choose a fully programmable option to "set and forget" or a simple boost switch, all Thermorail timers will help to save you money on your running costs.

Dual UFH & Towel Rail Control





Free Standing Range



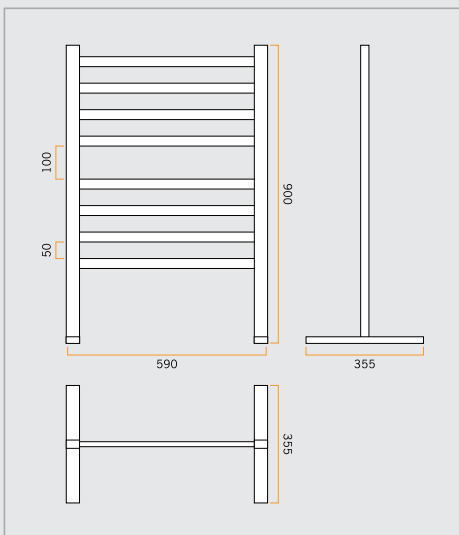
FS55E Flat Profile



FS66E Round Profile



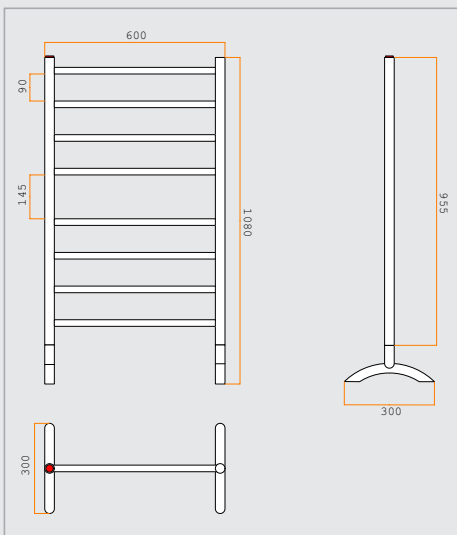
UFS47 Flat Profile (Non heated)



Size (mm): W590 x H900 x D355

The FS55E free standing rail allows flexibility of where you place the rail and can easily be stored away in the summer time.

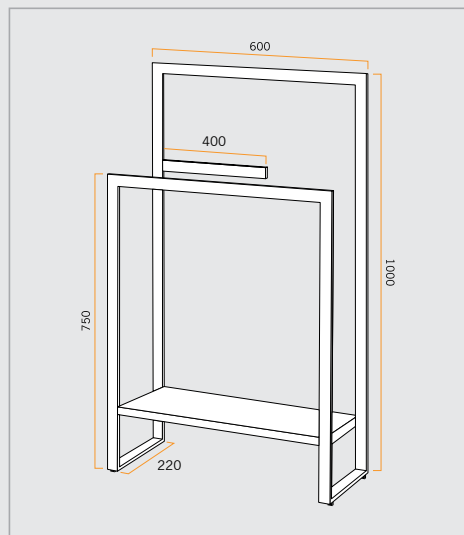
- Exposed wiring with a 3 pin plug
- 8 Horizontal Bars
- 119 Watt output
- 30 x 15mm Flat Horizontal Bars
- 30 x 25mm Flat Vertical Bars
- Polished 201 Grade Stainless Steel
- IP55 protection rating
- 5 Year warranty



Size (mm): W600 x H1080 x D300

The FS66E free standing rail is large enough for the entire family and can be moved from one bathroom to the next. Great for warming clothes!

- Exposed wiring with a 3 pin plug
- 8 Horizontal Bars
- 100 Watt output
- 22mm Round Horizontal Bars
- 32mm Round Vertical Bars
- Polished 201 Grade Stainless Steel
- IP55 protection rating
- Illuminated switch on top of upright
- 5 Year warranty



Size (mm): W600 x H1000 x D220

The UFS47 is the perfect non heated storing rail designed for flexibility in positioning and allowing storage and hanging options.

- Non heated towel rail
- 2 Horizontal Bars
- Convenient towel storage
- 30 x 10mm Flat Bars
- Polished 201 Grade Stainless Steel
- 5 Year warranty

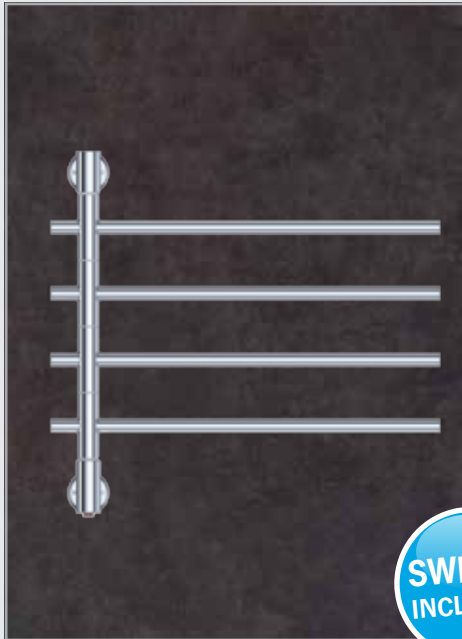
WSL

Thermorail™ FS55E		
STOCK NO	RRP EXCL \$	RRP INCL \$
FS55E	353.64	389.00

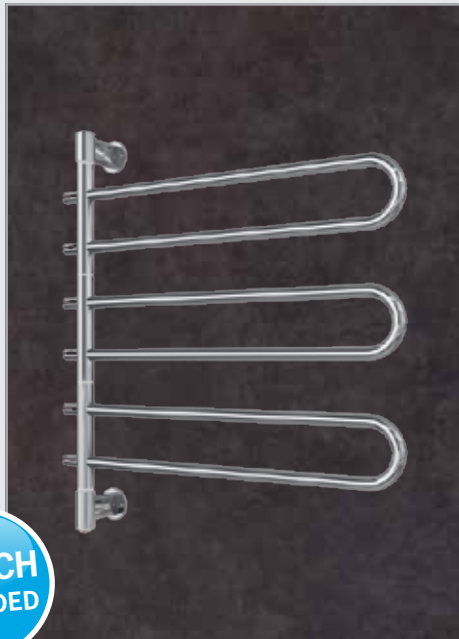
Thermorail™ FS66E		
STOCK NO	RRP EXCL \$	RRP INCL \$
FS66E	362.73	399.00

Thermorail™ UFS47 NON HEATED		
STOCK NO	RRP EXCL \$	RRP INCL \$
UFS47	362.73	399.00

Swivel Range



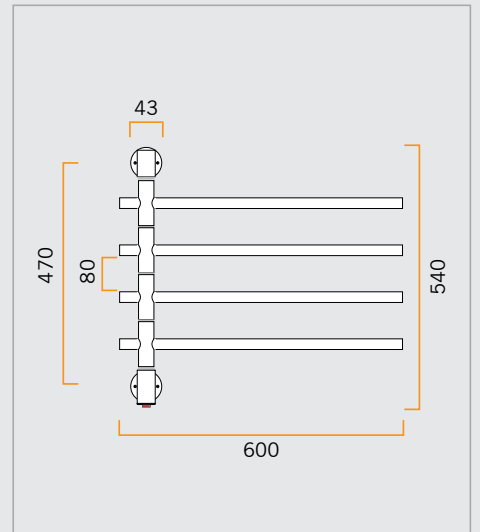
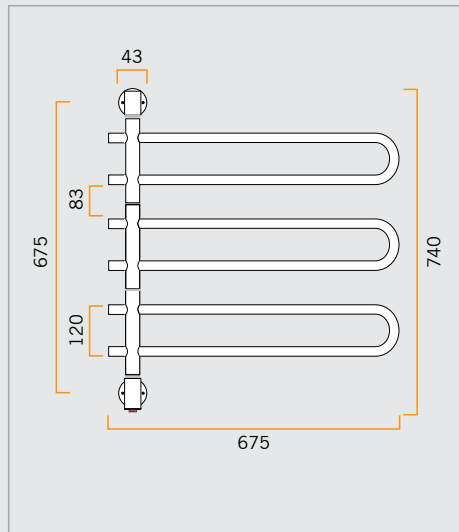
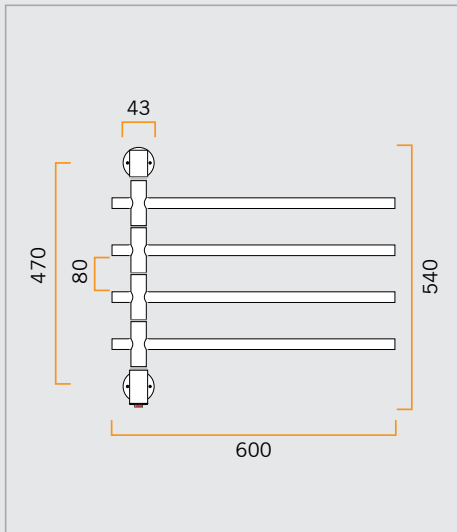
SWITCH INCLUDED



SV24 Round Profile

SV43 Round Profile

SV35 Square Profile



Size (mm): W600 x H540 x D99

The SV24 swivel rail gives a sleek contemporary finish to a bathroom with limited wall space. Make a statement feature of your towels with the stylish open ended bars.

- Exposed wiring, can be hard wired
- 4 Horizontal bars that swivel independently
- 48 Watt output with on/off switch
- 22mm Round Horizontal Bars
- 32mm Round Vertical Bar
- Polished 304 Grade Stainless Steel
- IP44 protection rating
- 10 Year warranty

Size (mm): W675 x H740 x D99

The SV43 swivel rail is ideal for rooms with limited wall space and allows for various sizes of towels. The on/off power switch on the rail serves for added convenience.

- Exposed wiring, can be hard wired
- 6 Horizontal bars that swivel independently
- 77 Watt output with on/off switch
- 22mm Round Horizontal Bars
- 32mm Round Vertical Bar
- Polished 304 Grade Stainless Steel
- IP44 protection rating
- 10 Year warranty

Size (mm): W600 x H540 x D99

The SV35 square swivel rail is the perfect solution for bathrooms with minimal space.

- Exposed wiring, can be hard wired
- 4 Horizontal bars that swivel independently
- 48 Watt output with on/off switch
- 18 x 18mm Square Horizontal Bars
- 32mm Round Vertical Bar
- Polished 304 Grade Stainless Steel
- IP44 protection rating
- 10 Year warranty

Thermorail™ SV24		
STOCK NO	RRP EXCL \$	RRP INCL \$
SV24	362.73	399.00

Thermorail™ SV43		
STOCK NO	RRP EXCL \$	RRP INCL \$
SV43	450.00	495.00

Thermorail™ SV35		
STOCK NO	RRP EXCL \$	RRP INCL \$
SV35	408.18	449.00



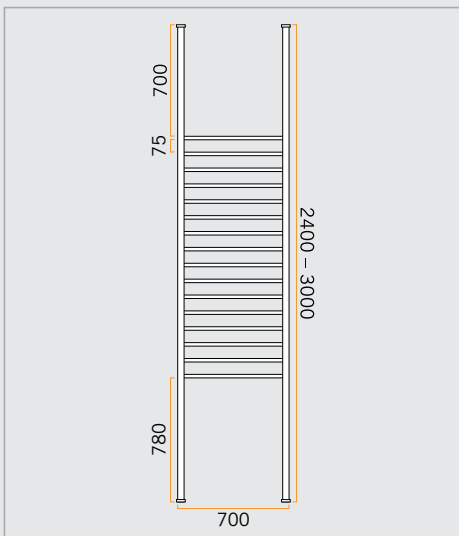
FC70S Square Profile



FC70R Round Profile



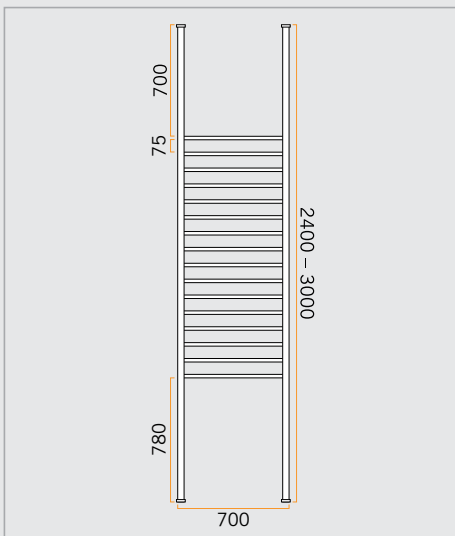
FC70B Round Profile



Size (mm): W700 x H2400-3000 x D40

The contemporary designed FC70S Floor to Ceiling rail is perfect for optimising your modern bathroom space and giving you plenty of room.

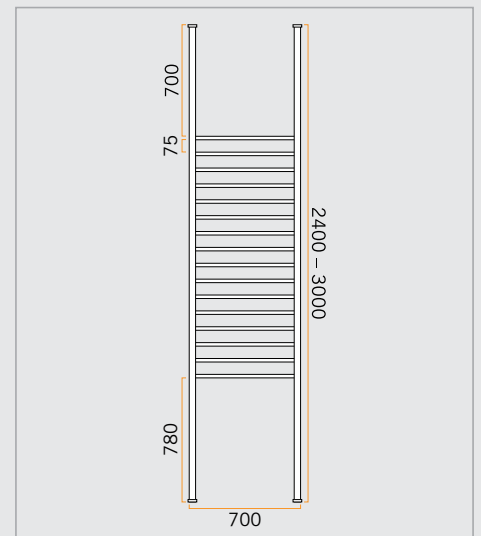
- Concealed wiring only
- 16 Horizontal Bars
- 230 Watt output
- 19 x 19mm Square Horizontal Bars
- 40 x 40mm Square Vertical Bars
- Polished 201 Grade Stainless Steel
- IP45 protection rating
- 7 Year warranty



Size (mm): W700 x H2400-3000 x D50

The FC70R Floor to Ceiling rail is the perfect rail that will provide you with a feeling of warmth and luxury in your bathroom.

- Concealed wiring only
- 16 Horizontal Bars
- 230 Watt output
- 22mm Round Horizontal Bars
- 50mm Round Vertical Bars
- Polished 201 Grade Stainless Steel
- IP45 protection rating
- 7 Year warranty



Size (mm): W700 x H2400-3000 x D50

The FC70B Black Floor to Ceiling rail will suit your newly designed bathroom.

- Concealed wiring only
- 16 Horizontal Bars
- 230 Watt output
- 22mm Round Horizontal Bars
- 50mm Round Vertical Bars
- Matt Black Coated Finish
- IP45 protection rating
- 7 Year warranty

Thermorail™ FC70S		
STOCK NO	RRP EXCL \$	RRP INCL \$
FC70S	1,999.09	2,199.00

Thermorail™ FC70R		
STOCK NO	RRP EXCL \$	RRP INCL \$
FC70R	1,817.27	1,999.00

Thermorail™ FC70B		
STOCK NO	RRP EXCL \$	RRP INCL \$
FC70B	1,962.73	2,159.00

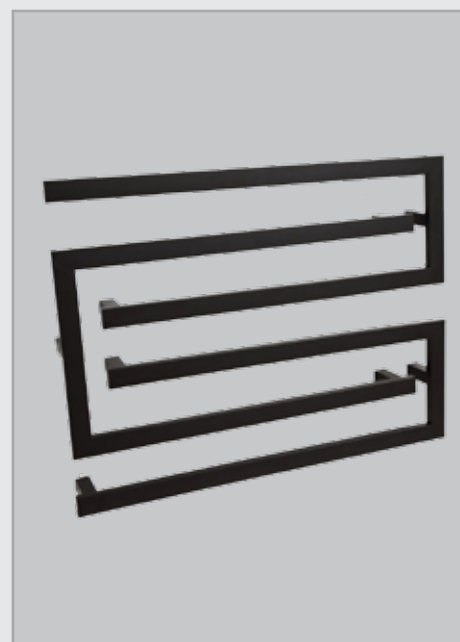
Black Range



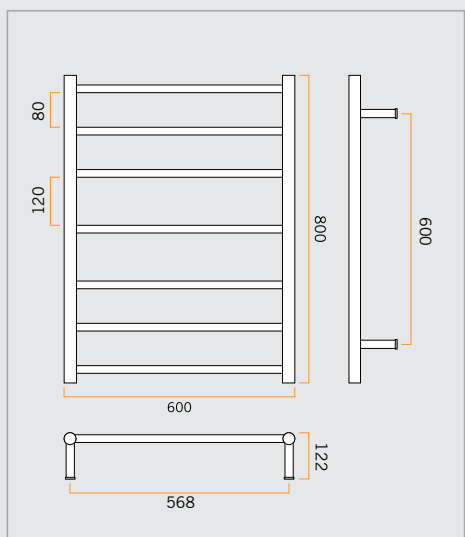
SR44MB Round Profile



BS48MB Square Profile



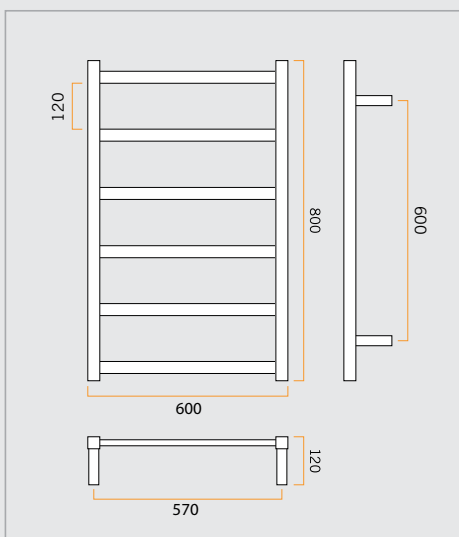
SF389B Flat Profile



Size (mm): W600 x H800 x D122

The SR44MB black contemporary rail is designed for modern and stylish bathrooms and suited to fit the trend for black tapware.

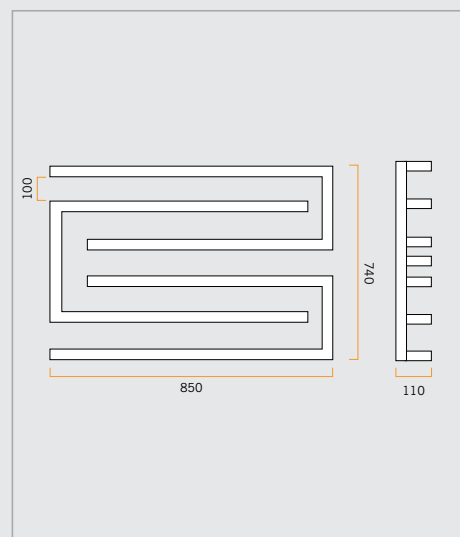
- Multiflex wiring - concealed or exposed
- 7 Horizontal Bars
- 120 Watt output
- 22mm Round Horizontal Bars
- 32mm Round Vertical Bars
- Matt Black Coated Finish
- IP55 protection rating
- 7 Year warranty



Size (mm): W600 x H800 x D120

The BS48MB black straight square heated towel rail will give you a feeling of added wealth and luxury in front of your guests.

- Multiflex wiring - concealed or exposed
- 6 Horizontal Bars
- 100 Watt output
- 19 x 19mm Square Horizontal Bars
- 30 x 30mm Square Vertical Bars
- Matt Black Coated Finish
- IP55 protection rating
- 7 Year warranty



Size (mm): W850 x H740 x D110

A truly unique and amazing flat, straight, "U" shaped, 3 piece matt black towel rail that will really transform your bathroom.

- Left hand concealed wiring only (one per piece)
- 6 Horizontal Bars
- 165 Watt output
- 40 x 20mm Flat Bars
- Matt Black Coated Finish
- IP55 protection rating
- 7 Year warranty

Thermorail™ SR44MB		
STOCK NO	RRP EXCL \$	RRP INCL \$
SR44MB	453.64	499.00

Thermorail™ BS48MB		
STOCK NO	RRP EXCL \$	RRP INCL \$
BS48MB	504.55	555.00

Thermorail™ SF389B		
STOCK NO	RRP EXCL \$	RRP INCL \$
SF389B	817.27	899.00



thermorail
ELECTRIC HEATED TOWEL RAILS

White & Brushed Range

Need a Colour to match your taps?

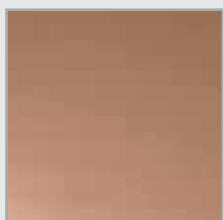
Thermogroup can offer the service of getting your rail plated in any colour to suit your tapware or make your rail stand out as unique to your visitors.



Antique Copper



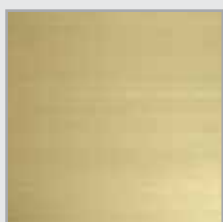
Polished Nickel Brass



Polished Copper



Antique Brass



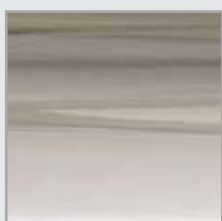
Brushed Brass



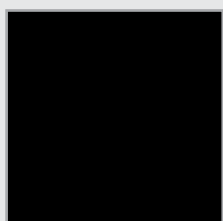
Brushed Nickel



Polished Gold



Polished Nickel



Black

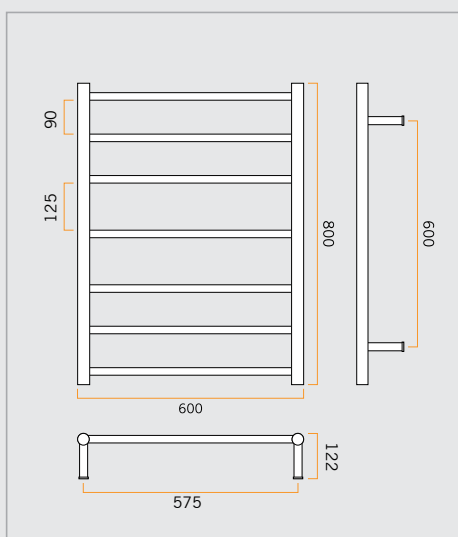


White

- Only suitable on certain models
- Subject to a 4 week lead time
- Prices available on request
- Other colours available
- 3 year warranty on plating



BS44MW Round Profile



Size (mm): W600 x H800 x D122

The BS44MW is an outstanding rail that will give you a feeling of wow and make you stand out from the crowd.

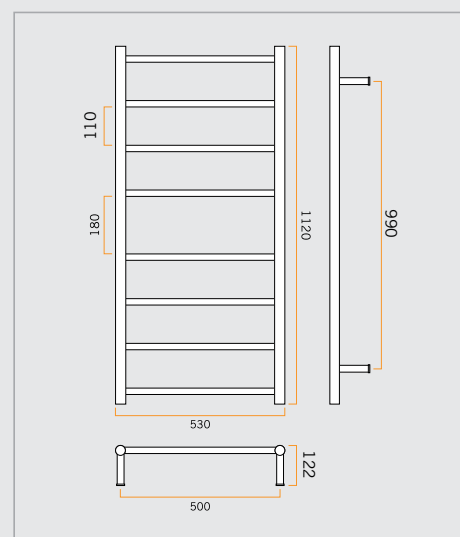
- Multiflex wiring - concealed or exposed
- 7 Horizontal Bars
- 80 Watt output
- 19mm Round Horizontal Bars
- 32mm Round Vertical Bars
- White Coated Finish
- IP55 protection rating
- 7 Year warranty

Thermorail™ BS44MW

STOCK NO	RRP EXCL \$	RRP INCL \$
BS44MW	499.09	549.00



SRB27M Round Profile - Brushed



Size (mm): W530 x H1120 x D122

The brushed finish of the SRB27M is fast growing in popularity in bathrooms today and provides a difference from the standard polished finish of most rails.

- Multiflex wiring - concealed or exposed
- 8 Horizontal Bars
- 80 Watt output
- 19mm Round Horizontal Bars
- 32mm Round Vertical Bars
- Brushed Stainless Steel Finish
- IP45 protection rating
- 7 Year warranty

Thermorail™ SRB27M

STOCK NO	RRP EXCL \$	RRP INCL \$
SRB27M	453.64	499.00



Brushed & Gold Range

thermorail
ELECTRIC HEATED TOWEL RAILS



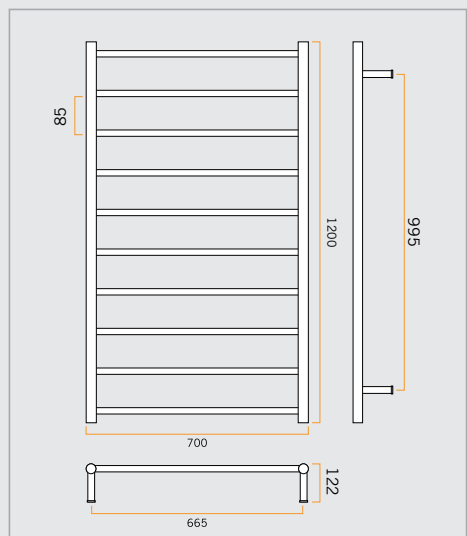
SRB69M Round Profile - Brushed



SR65GM Round Profile



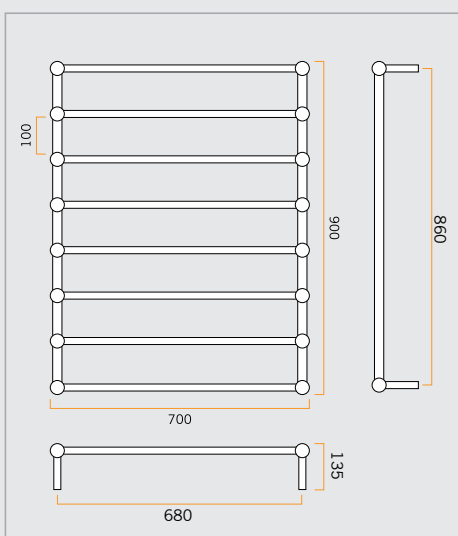
CR44GM Round Profile



Size (mm): W700 x H1200 x D122

The SRB69M brushed heated towel rail looks smart and unique in any bathroom giving you a sense of luxury.

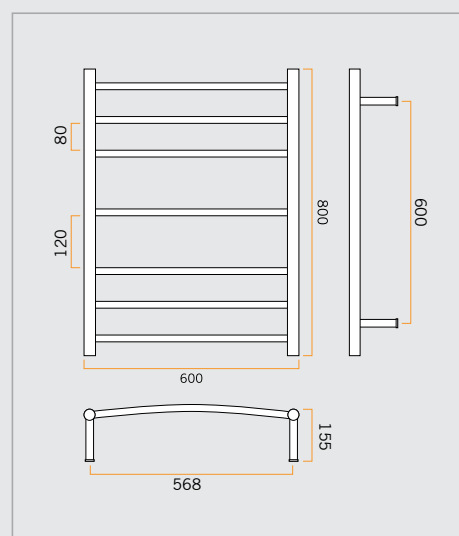
- Multiflex wiring - concealed or exposed
- 10 Horizontal Bars
- 128 Watt output
- 19mm Round Horizontal Bars
- 32mm Round Vertical Bars
- Brushed Stainless Steel Finish
- IP45 protection rating
- 7 Year warranty



Size (mm): W700 x H900 x D135

Make a statement in any heritage style bathroom with the SR65GM gold heated towel rail.

- Multiflex wiring - concealed or exposed
- 8 Horizontal Bars
- 100 Watt output
- 19mm Round Horizontal Bars
- 32mm Round Vertical Bars
- Gold Plated Finish
- IP45 protection rating
- 5 Year warranty



Size (mm): W600 x H800 x D155

The CR44GM features a sleek gold plated finish to add elegance and style to your bathroom.

- Multiflex wiring - concealed or exposed
- 7 Horizontal Bars
- 90 Watt output
- 22mm Round Curved Horizontal Bars
- 32mm Round Vertical Bars
- Gold Plated Finish
- IP55 protection rating
- 5 Year warranty

Thermorail™ SRB69M

STOCK NO	RRP EXCL \$	RRP INCL \$
SRB69M	635.45	699.00

Thermorail™ SR65GM

STOCK NO	RRP EXCL \$	RRP INCL \$
SR65GM	871.82	959.00

Thermorail™ CR44GM

STOCK NO	RRP EXCL \$	RRP INCL \$
CR44GM	662.73	729.00



Non Heated Range



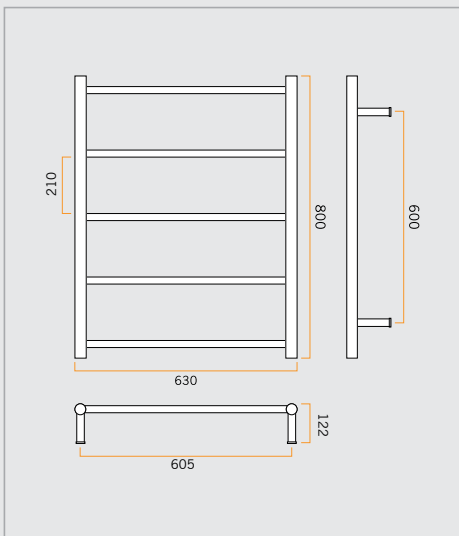
USR54 Round Profile



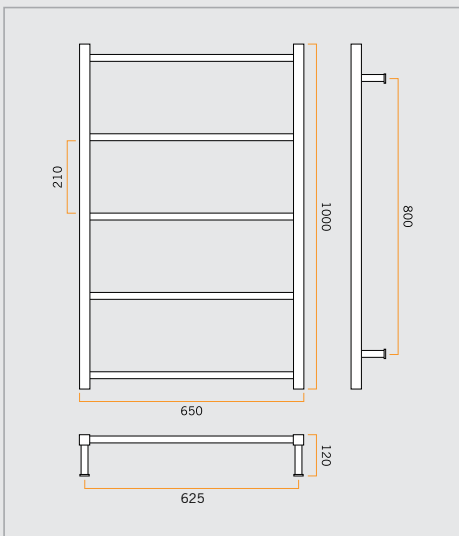
USS56 Square Profile



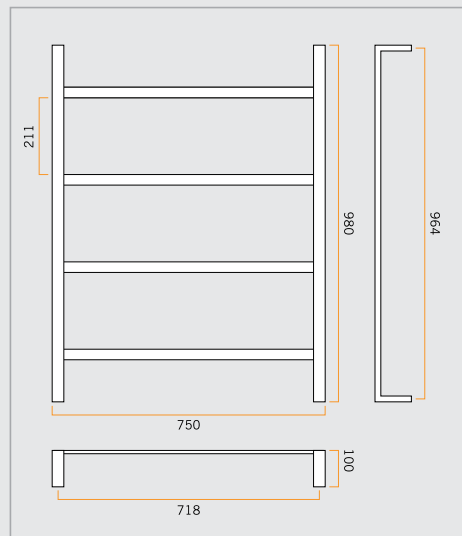
USF75 Flat Profile



Size (mm): W630 x H800 x D122



Size (mm): W650 x H1000 x D120



Size (mm): W750 x H980 x D100

The USR54 straight round non heated rail is great for letting your towel slowly dry and being ready for the next use.

- 5 Horizontal Bars
- Polished 304 Grade Stainless Steel
- 19mm Round Horizontal Bars
- 32mm Round Vertical Bars
- 10 Year warranty

The USS56 straight square sleek looking rail will fit smartly into any modern bathroom.

- 5 Horizontal Bars
- Polished 304 Grade Stainless Steel
- 19 x 19mm Square Horizontal Bars
- 30 x 30mm Square Vertical Bars
- 10 Year warranty

The USF75 non heated fixed leg rail is great for the couple's ensuite or the visitor's bathroom.

- 4 Horizontal Bars
- Polished 201 Grade Stainless Steel
- 29 x 19mm Flat Horizontal Bars
- 32 x 16mm Flat Vertical Bars
- 7 Year warranty

Thermorail™ USR54		
STOCK NO	RRP EXCL \$	RRP INCL \$
USR54	295.45	325.00

Thermorail™ USS56		
STOCK NO	RRP EXCL \$	RRP INCL \$
USS56	299.09	329.00

Thermorail™ USF75		
STOCK NO	RRP EXCL \$	RRP INCL \$
USF75	426.36	469.00

Non Heated Range



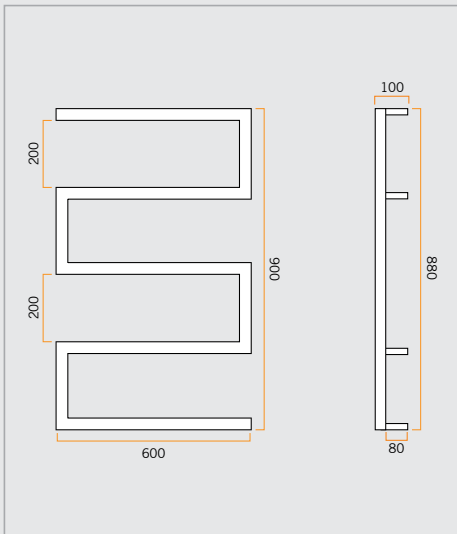
USSS45 Square Profile



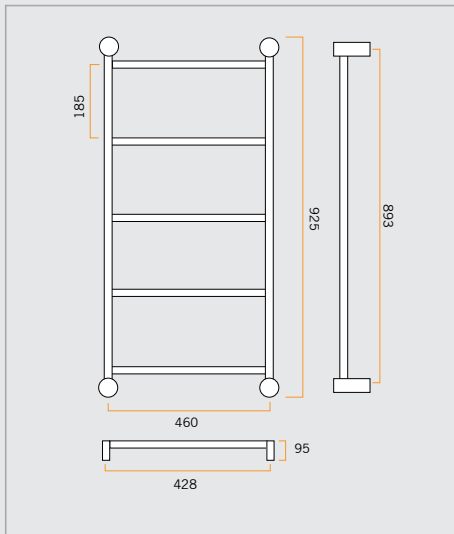
USS49 Round Profile



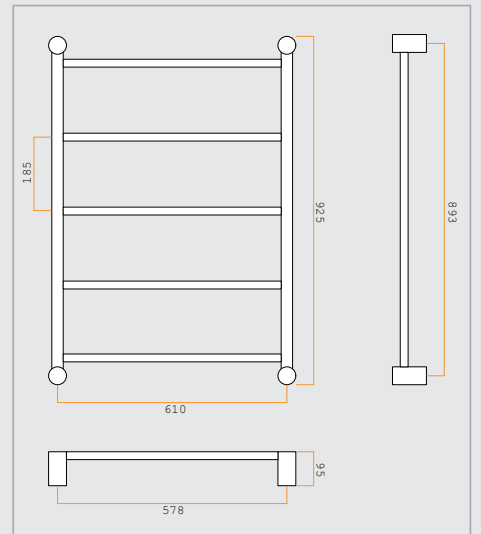
USS69 Round Profile



Size (mm): W600 x H900 x D100



Size (mm): W460 x H925 x D95



Size (mm): W610 x H925 x D95

The USSS45 non heated S shaped rail is unique to the Thermorail range and will give your bathroom a touch of difference.

- 5 Horizontal Bars
- Polished 201 Grade Stainless Steel
- 19 x 19mm Square Bars
- 7 Year warranty

The USS49 non heated rail is a straight round rail with featured mounting points leaving you with a sense of class.

- 5 Horizontal Bars
- Polished 201 Grade Stainless Steel
- 19mm Round Horizontal Bars
- 25mm Round Vertical Bars
- 7 Year warranty

The USS69 non heated rail is great for the whole family to store their towels every day!

- 5 Horizontal Bars
- Polished 201 Grade Stainless Steel
- 19mm Round Horizontal Bars
- 25mm Round Vertical Bars
- 7 Year warranty

Thermorail™ USSS45		
STOCK NO	RRP EXCL \$	RRP INCL \$
USSS45	377.27	415.00

Thermorail™ USS49		
STOCK NO	RRP EXCL \$	RRP INCL \$
USS49	244.55	269.00

Thermorail™ USS69		
STOCK NO	RRP EXCL \$	RRP INCL \$
USS69	271.82	299.00



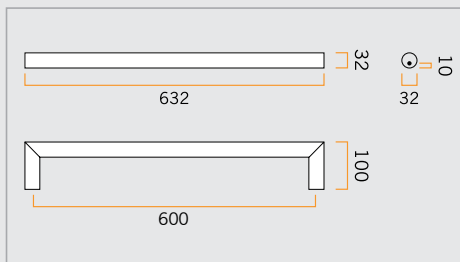
Non Heated Range



NEW!



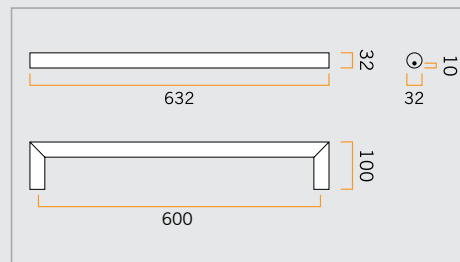
USR6 Round Profile - Polished



Size (mm): W632 x H32 x D100

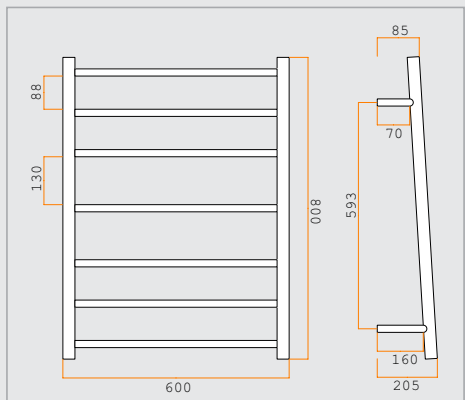


USR6B Round Profile - Matt Black



Size (mm): W632 x H32 x D100

USL44 Round Profile - Slanted



Size (mm): W600 x H800 x D205

The USL44 is a slanted rail designed to allow towels to hang freely behind the rail. This means the towels are not covering each other and will dry quicker.

- 7 Horizontal Bars
- Polished 201 Grade Stainless Steel
- 19mm Round Horizontal Bars
- 32mm Round Vertical Bars
- 7 Year warranty

Thermorail™ Single - Non Heated

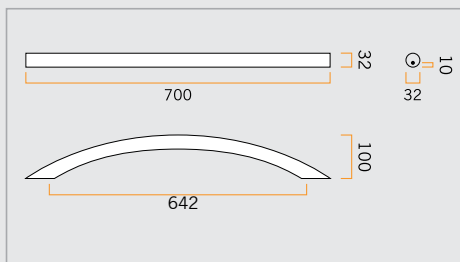
STOCK NO	RRP EXCL \$	RRP INCL \$
USR6	117.27	129.00

Thermorail™ Single - Non Heated

STOCK NO	RRP EXCL \$	RRP INCL \$
USR6B	131.82	145.00



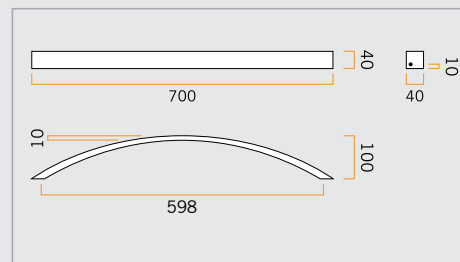
UCR7 Round Curved Profile - Polished



Size (mm): W700 x H32 x D100



UCF7 Flat Curved Profile - Polished



Size (mm): W700 x H40 x D100

Thermorail™ USL44

STOCK NO	RRP EXCL \$	RRP INCL \$
USL44	295.45	325.00

Thermorail™ Single - Non Heated

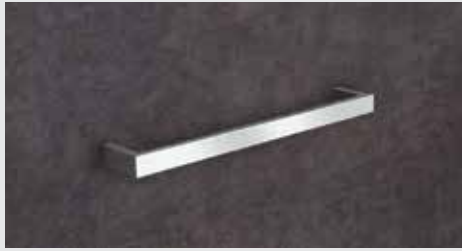
STOCK NO	RRP EXCL \$	RRP INCL \$
UCR7	117.27	129.00

Thermorail™ Single - Non Heated

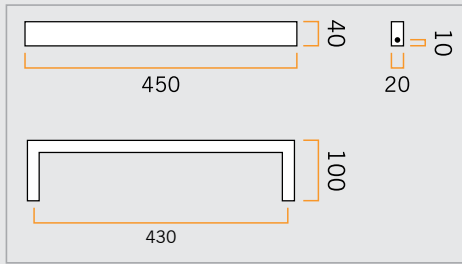
STOCK NO	RRP EXCL \$	RRP INCL \$
UCF7	117.27	129.00

Thermorail™ Single Rails are also available as 12V Heated Rails. See page 81 for details

Non Heated Range



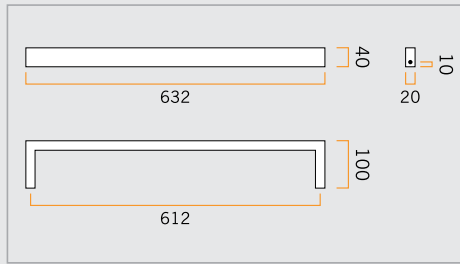
USS4 Square Profile - Polished



Size (mm): W450 x H40 x D100



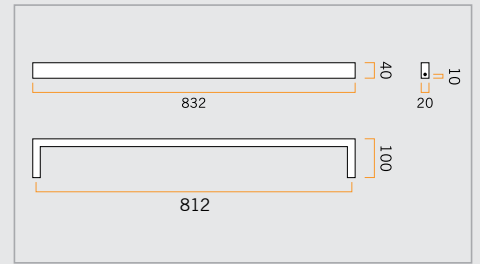
USS6 Square Profile - Polished



Size (mm): W632 x H40 x D100



USS8 Square Profile - Polished



Size (mm): W832 x H40 x D100

Thermorail™ Single - Non Heated

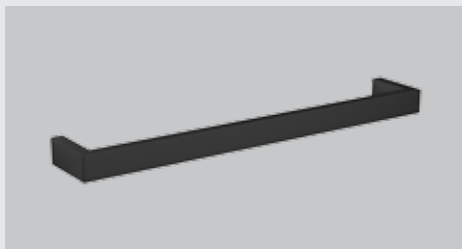
STOCK NO	RRP EXCL \$	RRP INCL \$
USS4	112.73	124.00

Thermorail™ Single - Non Heated

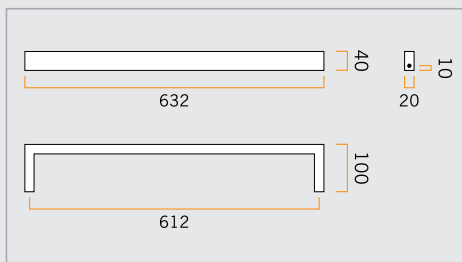
STOCK NO	RRP EXCL \$	RRP INCL \$
USS6	117.27	129.00

Thermorail™ Single - Non Heated

STOCK NO	RRP EXCL \$	RRP INCL \$
USS8	162.73	179.00



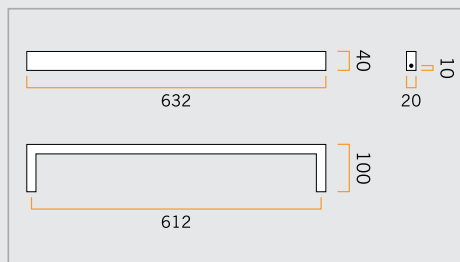
USS6B Square Profile - Matt Black



Size (mm): W632 x H40 x D100



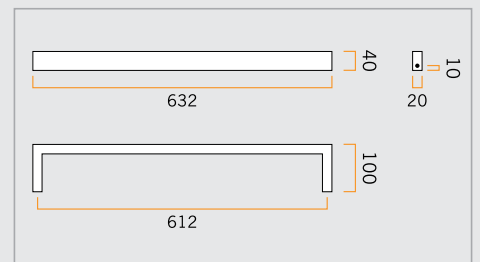
USS6BR Square Profile - Brushed



Size (mm): W632 x H40 x D100



USS6W Square Profile - White



Size (mm): W632 x H40 x D100

Thermorail™ Single - Non Heated

STOCK NO	RRP EXCL \$	RRP INCL \$
USS6B	131.82	145.00

Thermorail™ Single - Non Heated

STOCK NO	RRP EXCL \$	RRP INCL \$
USS6BR	162.73	179.00

Thermorail™ Single - Non Heated

STOCK NO	RRP EXCL \$	RRP INCL \$
USS6W	162.73	179.00





POSITIONING YOUR THERMORAIL

Bathrooms are zoned according to Australian Standards. Positioning of a Thermorail Heated Towel Rail is the responsibility of the Electrical Installer.

IP55

Most Thermorails have an IP55 Protection Rating

ELECTRICAL SAFETY IN WET AREAS

ZONE 0

Inside bath or shower. Any fitting used in this zone must be low voltage (max 12V) or a rating of at least IPX7 is required. Transformers and switches must be outside of zone 1.

ZONE 1

Area above the bath to height of 2.25m from the floor. A minimum of IPX4 (IP44) needed. 240Volt Thermorails in this zone must be protected by a 30mA RCD on the circuit.

ZONE 2

Covers 600mm outside the perimeter of the bath to a height of 2.25m from the floor. Also covers a radius of 600mm around a wash basin. Minimum rating of IPX4 (IP44) needed in this zone.

OUTSIDE ZONES

No specific requirements unless water jets are intended for cleaning purposes.

ALL ZONES

All electrical circuits in bathrooms must be protected by an RCD. If exposed to water jets such as a shower, a rating of at least IPX5 is required.



(Diagram for illustrative purposes only)

IP RATINGS

Electrical fixtures in bathrooms are certified using an IP (Ingress Protection) rating. The IP is followed by 2 numbers and refers to the level of protection against the ingress of foreign bodies (1st number) and protection against the ingress of liquids (2nd number). The higher the second number is the greater protection the item has from water ingress.

ZONAL GUIDELINES

All domestic installations must comply with guidelines based on the zonal requirements. Thermogroup recommends that all electrical work is carried out by a qualified electrician in accordance with current regulations. Consult your electrician for wiring requirements in your area.



Enhanced Bathroom Experience

Something as simple as an electric heated towel rail can transform the feeling of your bathroom. There's nothing like a warm towel!

Enhance your bathroom experience by adding an electric heated towel rail. If you need a single rail, ladder rail or even a free standing model we can provide you with the perfect heated towel rail for your project.

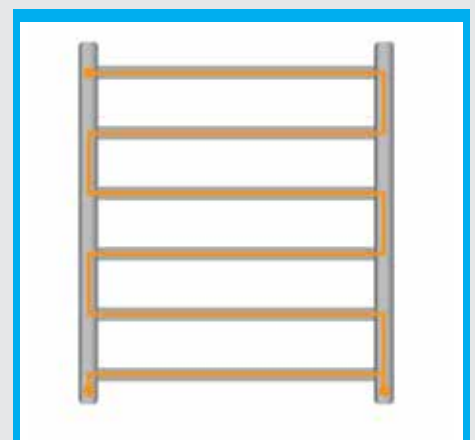
Different types of Heated Towel Rails

In the Australian market there are predominately two different types of heated towel rails which are Dry Electric Element or Hydronic / Liquid Filled Rails.

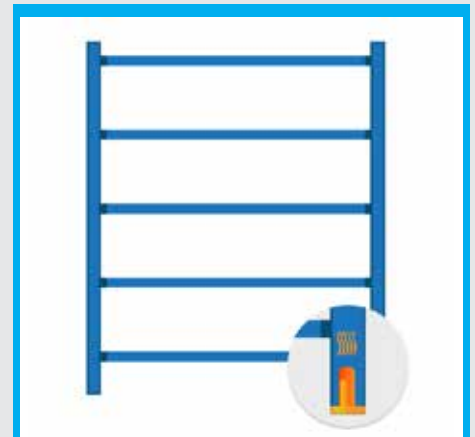
Dry Electric Element Heated Towel Rails use a self-regulating element which runs through the bars of the rail to heat the air inside the towel rail thus heating your towel. Most Thermorail models feature our efficient dry electric heating element meaning there is no need to think about plumbing or filling rails. They simply connect directly into your existing electrical circuit and can be controlled with a switch or a timer for added efficiency.

Hydronic Heated Towel Rails are connected to a Hydronic Heating system in the house which heats the rail by pumping hot water through the system.

Alternatively a Liquid Filled Rail can achieve the same result where a hydronic system is not installed. These are pre-filled with anti-corrosive liquid that is heated by a single element thus heating the rail.



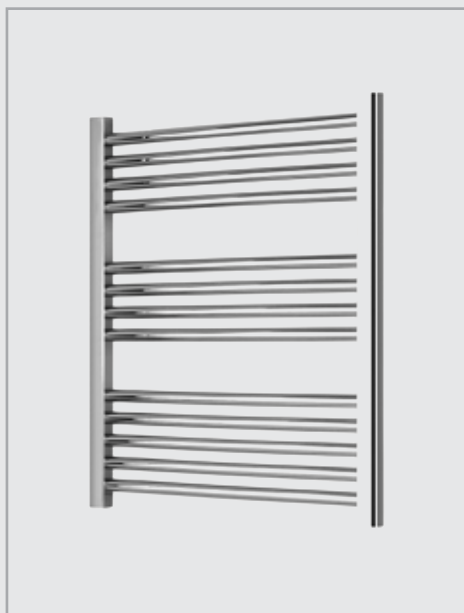
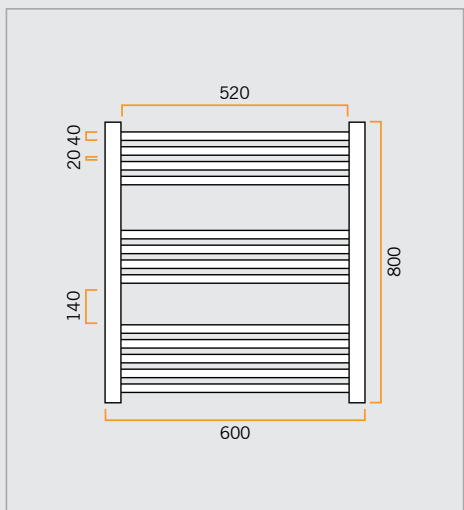
Dry electric element



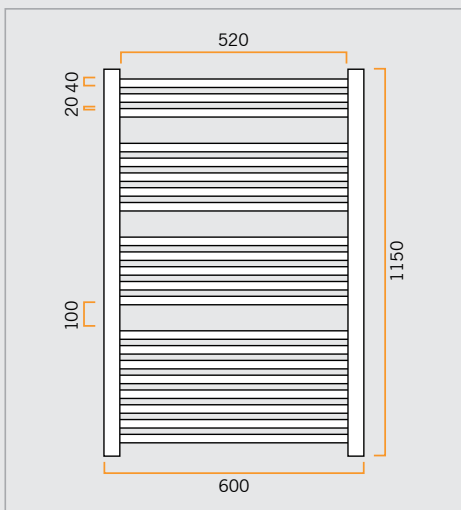
Hydronic / Liquid filled



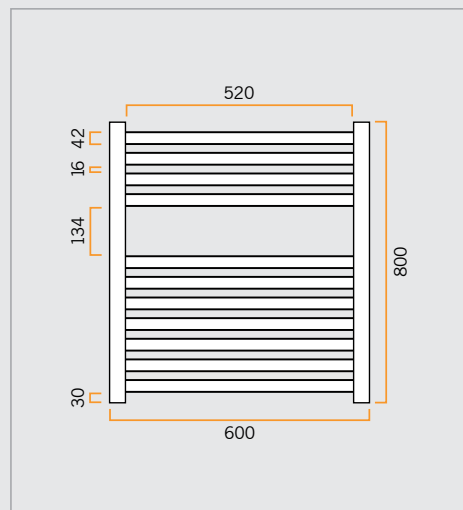
The standard Thermorail range are all dry electric element rails which are great for drying and warming towels but do not warm the room as such and cannot be used with central heating systems. Thermorail hydronic rails can be supplied as electric only, dual fuel or ready for connection to a central heating system and act as an additional heat source in the room. If electric only is selected, the rails are supplied pre-filled with anti corrosion fluid and sealed ready to plug into a power point. The other options come ready to connect straight to a hydronic heating system.

**HSRC44 Round Profile****HSRC48 Round Profile****HSFC44 Flat Profile****Size (mm): W600 x H800 x D79-98**

- 22mm Round Horizontal Bars
- 40 x 30mm D Shaped Vertical Bars
- Adjustable fixings between 79-98mm
- 4 + 4 + 5 Bars
- Chrome Plated Steel
- 5 Year warranty

**Size (mm): W600 x H1150 x D79-98**

- 22mm Round Horizontal Bars
- 40 x 30mm D Shaped Vertical Bars
- Adjustable fixings between 79-98mm
- 3 + 5 + 5 + 8 Bars
- Chrome Plated Steel
- 5 Year warranty

**Size (mm): W600 x H800 x D64-84**

- 32 x 14mm Flat Horizontal Bars
- 40 x 30mm D Shaped Vertical Bars
- Adjustable fixings between 64-84mm
- 4 + 7 Bars
- Chrome Plated Steel
- 5 Year warranty

Thermorail HSRC44

STOCK NO	RRP EXCL \$	RRP INCL \$
HSRC44	362.73	399.00

Thermorail HSRC48

STOCK NO	RRP EXCL \$	RRP INCL \$
HSRC48	480.91	529.00

Thermorail HSFC44

STOCK NO	RRP EXCL \$	RRP INCL \$
HSFC44	590.00	649.00

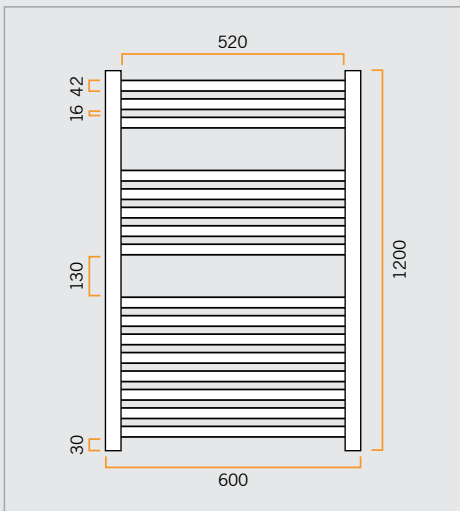
Hydronic Range



Our Hydronic Rails can be supplied as electric only, dual fuel or ready for connection to a central heating system.



HSFC48 Flat Profile



Size (mm): W600 x H1200 x D64-84

- 32 x 14mm Flat Horizontal Bars
- 40 x 30mm D Shaped Vertical Bars
- Adjustable fixings between 64-84mm
- 3 + 5 + 8 Bars
- Chrome Plated Steel
- 5 Year warranty

Thermorail HSFC48

STOCK NO	RRP EXCL \$	RRP INCL \$
HSFC48	635.45	699.00

The rail of your choice is pre-filled with an anti corrosion fluid and fitted with a standard electric element meaning it can be plugged into a power point for easy installation. At the time of order please specify if you require left or right hand wiring.

Standard Electric Element

STOCK NO	LENGTH (MM)	OUTPUT W	RRP EXCL \$	RRP INCL \$
7156	300	150	90.00	99.00
7157	360	300	102.73	113.00
7158	440	400	107.27	118.00



7156/7/8 Standard Element

Connect your heated towel rail to your hydronic heating system using a chrome valve set. If you would like more flexibility over your rail consider using the typical dual fuel setup.

Thermorail Chrome Valve Set

STOCK NO	DESCRIPTION	RRP EXCL \$	RRP INCL \$
7150	Chrome Valve Set	144.55	159.00



7150 Chrome Valve Set

The thermostatic element allows you to have control over the temperature of your towel rail. The rail is pre-filled with an anti corrosion fluid allowing the rail to not only warm your towel but also heat the room if adequately sized for the space. Specify left or right hand wiring when you place your order.

Thermostatic Element with Turbo Boost

STOCK NO	LENGTH (MM)	OUTPUT W	RRP EXCL \$	RRP INCL \$
7162	340	300	335.45	369.00
7163	390	600	362.73	399.00



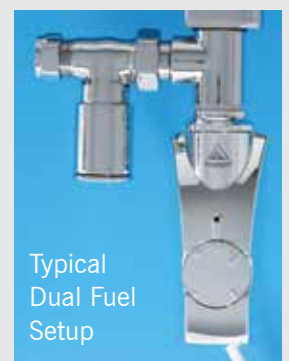
7162/3 Thermostatic Element

See alternative element options on Pg. 121

The typical dual fuel setup allows you to connect your heated towel rail to your hydronic heating system as well as giving you the option to boost the rail's heat with the turbo boost or to have the rail on and warm when your heating system is switched off. Great for drying towels without your heating on!

Typical Dual Fuel Setup

STOCK NO	LENGTH (MM)	OUTPUT W	RRP EXCL \$	RRP INCL \$
7162 / 7150	340	300	480.91	529.00
7163 / 7150	390	600	499.09	549.00



Typical Dual Fuel Setup



**INTRODUCING
LAGOON**

CHROME
PLATED FINISH

EXTRA TOWEL
HANGING SPACE

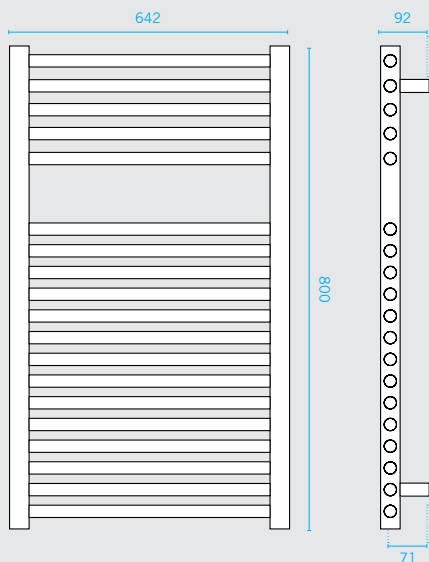
OPTION TO CONNECT
TO A HYDRONIC
SYSTEM

Model shown: 7623C with 7810 Duo Valve Set & 7727 Thermostatic Element



Lagoon Range

Available from March 2017

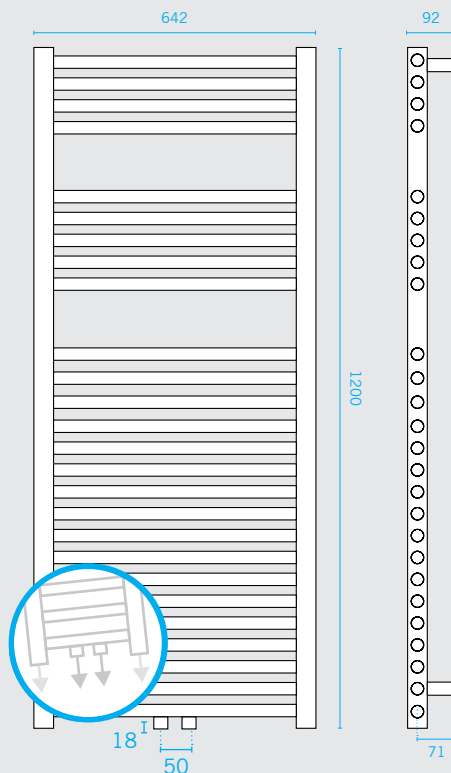


7621 - Straight Round Profile

- Collector Feed
- Chrome Plated Finish
- 5 + 14 Horizontal Rails
- W642 x H800 x D92mm
- 333 Watts Δt50 or 421 Watts Δt60
- 1132 BTU Δt50 or 1431 BTU Δt60
- 600mm Fixing Centres
- Max Element Output - 300 Watts

Lagoon Chrome - 7621

STOCK NO	RRP EXCL \$	RRP INCL \$
7621	608.18	669.00



7623 - Straight Round Profile

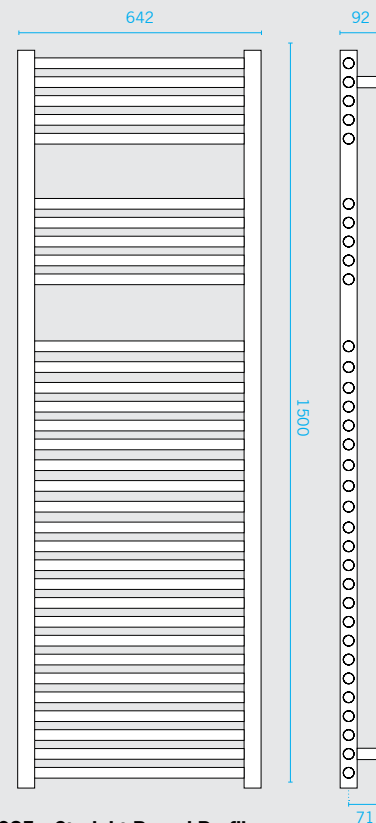
- Centre or Collector Feed
- Chrome Plated Finish
- 4 + 5 + 17 Horizontal Rails
- W642 x H1200 x D92mm
- 494 Watts Δt50 or 624 Watts Δt60
- 1680 BTU Δt50 or 2122 BTU Δt60
- 600mm Fixing Centres
- Max Element Output - 400 Watts

Lagoon Chrome - 7623, 7623C

STOCK NO	RRP EXCL \$	RRP INCL \$
7623	780.91	859.00
7623C	844.55	929.00



ELECTRIC HEATED TOWEL RAILS



7625 - Straight Round Profile

- Collector Feed
- Chrome Plated Finish
- 5 + 5 + 23 Horizontal Rails
- W642 x H1500 x D92mm
- 624 Watts Δt50 or 789 Watts Δt60
- 2122 BTU Δt50 or 2683 BTU Δt60
- 600mm Fixing Centres
- Max Element Output - 600 Watts

Lagoon Chrome - 7625

STOCK NO	RRP EXCL \$	RRP INCL \$
7625	908.18	999.00

5 Reasons to choose Lagoon

- ✓ Legs are mounted on uprights giving more space for hanging towels
- ✓ Larger collector bars - 42mmØ uprights and 22mmØ horizontal bars
- ✓ Greater surface area equals greater warmth
- ✓ Premium quality materials and finishes
- ✓ 10 Year warranty



Duo TRV Centre Feed Valve Set - 7810

STOCK NO	RRP EXCL \$	RRP INCL \$
7810	200.00	220.00



Installation Kit - 7830

STOCK NO	RRP EXCL \$	RRP INCL \$
7830	53.64	59.00

Electric Element needs to be purchased separately. See Pg. 117 for details.

Alternatively consider using a Thermostatic Element. See Pg. 121 for details.



ANTHRACITE
FINISH

LARGER
COLLECTOR BARS

MORE SURFACE &
MORE WARMTH

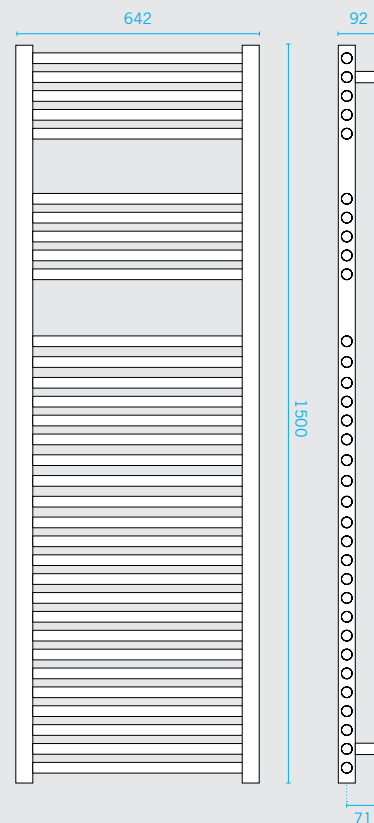
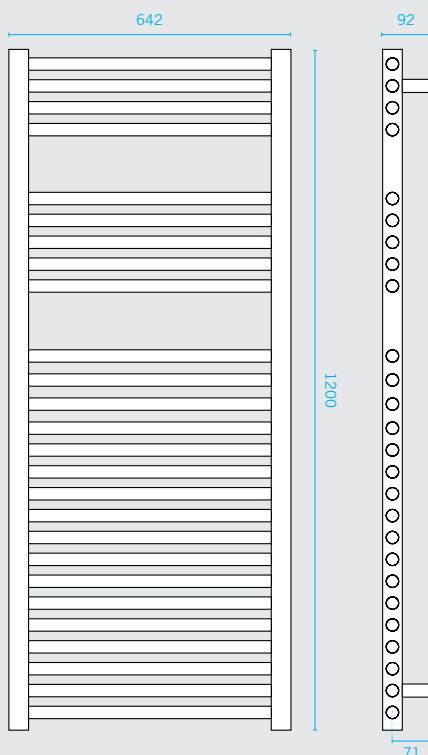
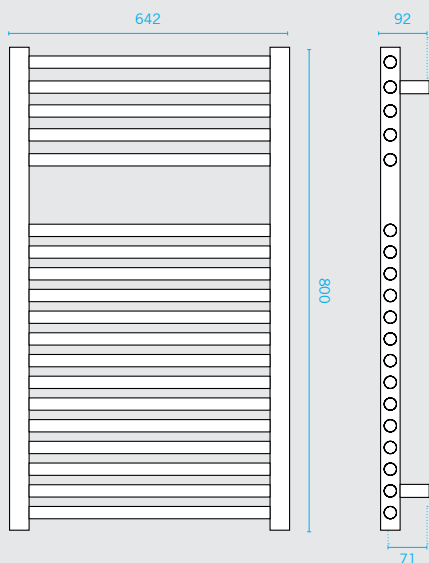
Model shown: 7643 with 7727 Thermostatic Element



Lagoon Range

thermogroup warranty
10
YEAR
warranty

thermorail
ELECTRIC HEATED TOWEL RAILS



7641 - Straight Round Profile

- Collector Feed
- Anthracite Plated Finish
- 5 + 14 Horizontal Rails
- W642 x H800 x D92mm
- 504 Watts $\Delta t50$ or 637 Watts $\Delta t60$
- 1714 BTU $\Delta t50$ or 2166 BTU $\Delta t60$
- 600mm Fixing Centres
- Max Element Output - 300 Watts

7643 - Straight Round Profile

- Collector Feed
- Anthracite Plated Finish
- 4 + 5 + 17 Horizontal Rails
- W642 x H1200 x D92mm
- 724 Watts $\Delta t50$ or 915 Watts $\Delta t60$
- 2462 BTU $\Delta t50$ or 3111 BTU $\Delta t60$
- 600mm Fixing Centres
- Max Element Output - 400 Watts

7645 - Straight Round Profile

- Collector Feed
- Anthracite Plated Finish
- 5 + 5 + 23 Horizontal Rails
- W642 x H1500 x D92mm
- 907 Watts $\Delta t50$ or 1146 Watts $\Delta t60$
- 3084 BTU $\Delta t50$ or 3896 BTU $\Delta t60$
- 600mm Fixing Centres
- Max Element Output - 600 Watts

Lagoon Anthracite - 7641

STOCK NO	RRP EXCL \$	RRP INCL \$
7641	635.45	699.00

Lagoon Anthracite - 7643

STOCK NO	RRP EXCL \$	RRP INCL \$
7643	908.18	999.00

Lagoon Anthracite - 7645

STOCK NO	RRP EXCL \$	RRP INCL \$
7645	962.73	1,059.00

Element needs to be purchased separately. See page 117 for alternative options.



Straight Valve Set - 7800

STOCK NO	RRP EXCL \$	RRP INCL \$
7800	62.73	69.00



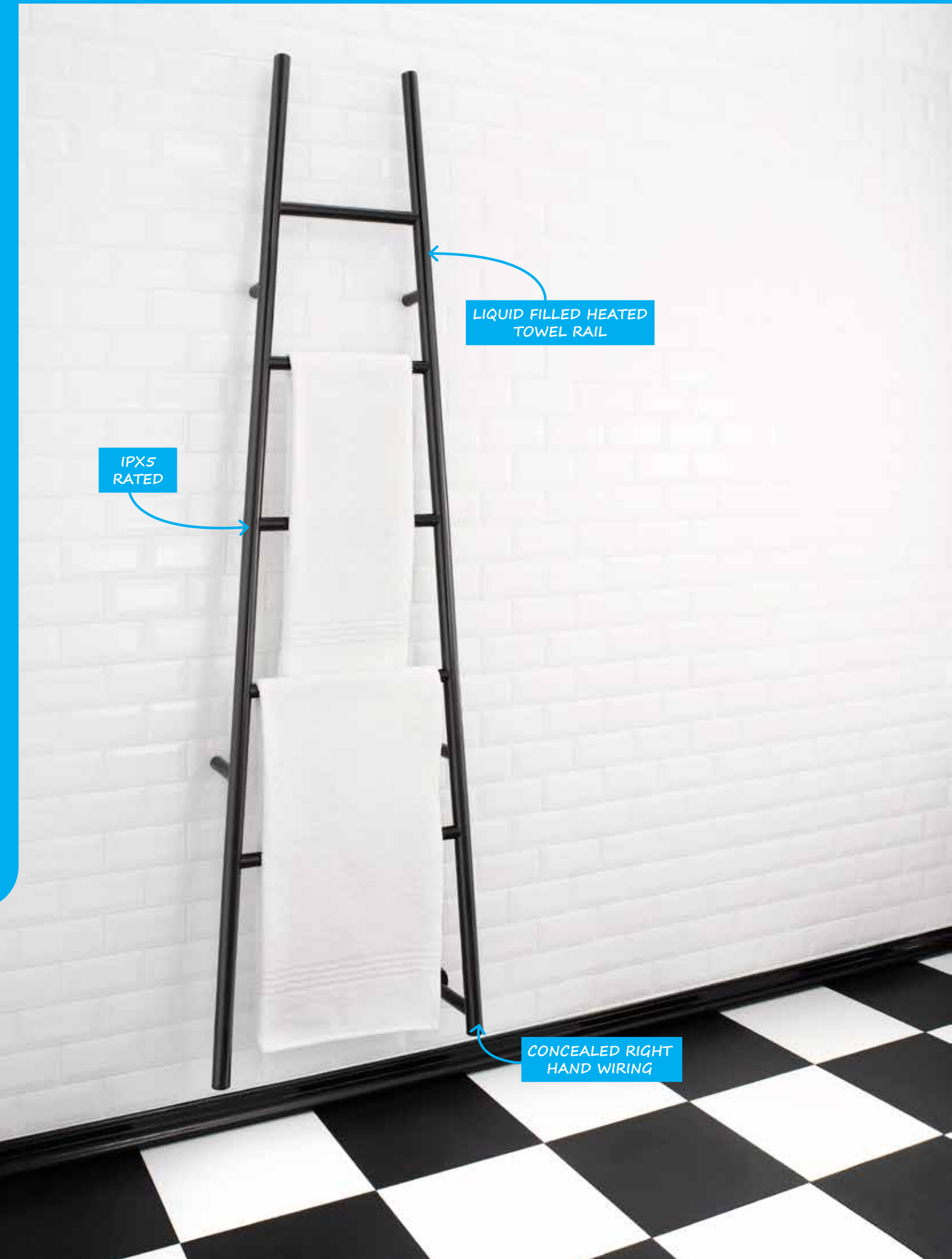
Angled TRV Valve Set - 7801

STOCK NO	RRP EXCL \$	RRP INCL \$
7801	62.73	69.00



Thermostatic Elements

STOCK NO	OUTPUT W	RRP EXCL \$	RRP INCL \$
7727	300	290.91	320.00
7728	600	318.18	350.00



LIQUID FILLED HEATED
TOWEL RAIL

IPX5
RATED

CONCEALED RIGHT
HAND WIRING

EXCLUSIVE
AUSTRALIAN DISTRIBUTOR



Why Choose a Jeeves Heated Towel Rail?

Automatic Heating Technology (AHT)

Unique to Jeeves, AHT is an intelligent, convenient and energy efficient method of heating bathroom rails which allows you to experience the luxury of a heated towel rail without the need for a manual temperature control or complex digital control panels. Jeeves heated towel rails include a built-in thermostat that is designed to automatically respond to temperature changes and ensure a safe heat level and automatically regulate energy consumption.

Liquid Filled

The Jeeves heated towel rails are liquid filled with an electric element. This allows you to enjoy the benefits of even heat distribution and no ultra-hot spots under the towels without the difficulty of installation associated with a standard hydronic heated towel rail.

Energy Savings

The built-in thermostat on the Jeeves heated towel rail automatically regulates the power consumption. Due to the cyclical consumption practice the Jeeves heated towel rail, even when on, will not necessarily draw power which results in less energy consumption than is needed to run a standard light bulb!

Effortless Control

With the automatic heating technology external switches are not required and the Jeeves rails are designed to run continuously however if required the rails can easily be switched on and off using a regular switch, just like a bathroom light.

FREQUENTLY ASKED QUESTIONS

Why do I need a heated towel rail?

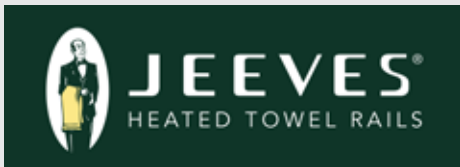
Heated towel rails were once considered a luxury but now are widely used to provide warm, dry towels in the cold winter months. Heated towel rails also create a more hygienic environment in your bathroom by keeping towels dry and free from germs or mould. Heated towel rails also help save electricity and water as they reduce the need for continuous towel washing and tumble drying.

Will a Jeeves rail heat my bathroom?

Unlike dry electric element heated towel rails, the Jeeves range will dry and warm your towel as well as providing additional heat to your bathroom. However, Jeeves rails are only designed as a towel warmer and not a primary heat source.

What is BTU's?

BTU stands for British Thermal Unit and refers to the heat that a rail will add to your bathroom. The higher the BTU the more heat the rail will provide.



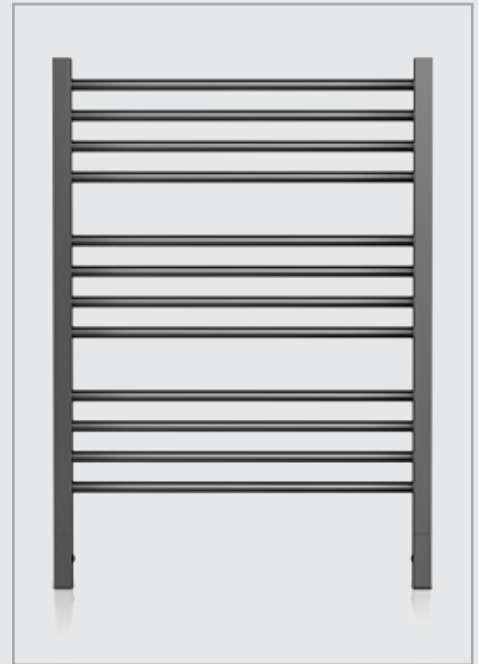
EXCLUSIVE
AUSTRALIAN DISTRIBUTOR



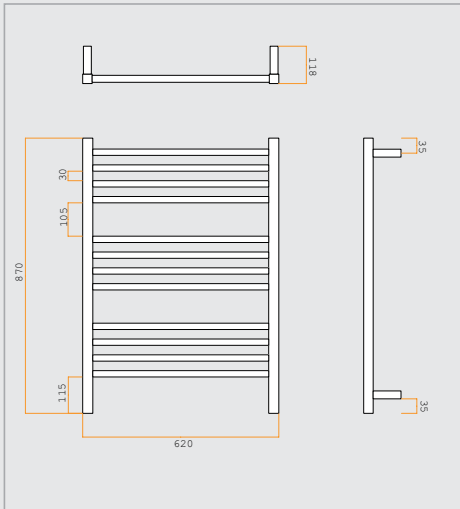
Quadro P P62SPR - Polished



Quadro P P62SBR - Brushed

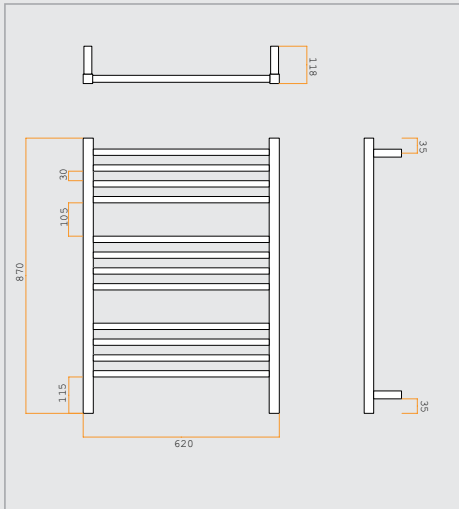


Quadro P P62SBKR - Satin Black



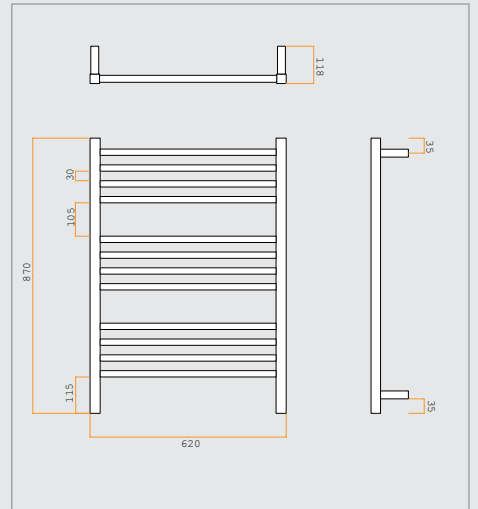
Size (mm): W620 x H870 x D118

- Bottom right hand concealed wiring
- Left hand wired on request
- 12 Round Horizontal Bars
- 304 Grade Stainless Steel
- IPX5 protection rating
- 25 Year warranty on rail
- 5 Year warranty on element
- Polished Finish
- 511.8 BTU/hr



Size (mm): W620 x H870 x D118

- Bottom right hand concealed wiring
- Left hand wired on request
- 12 Round Horizontal Bars
- 304 Grade Stainless Steel
- IPX5 protection rating
- 25 Year warranty on rail
- 5 Year warranty on element
- Brushed Finish
- 511.8 BTU/hr



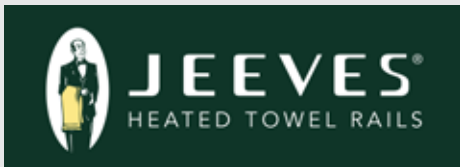
Size (mm): W620 x H870 x D118

- Bottom right hand concealed wiring
- Left hand wired on request
- 12 Round Horizontal Bars
- 304 Grade Stainless Steel
- IPX5 protection rating
- 25 Year warranty on rail
- 5 Year warranty on element
- Satin Black Finish
- 597.1 BTU/hr

Jeeves Quadro P			
STOCK NO	OUTPUT W	RRP EXCL \$	RRP INCL \$
P62SPR	150	1,090.00	1,199.00

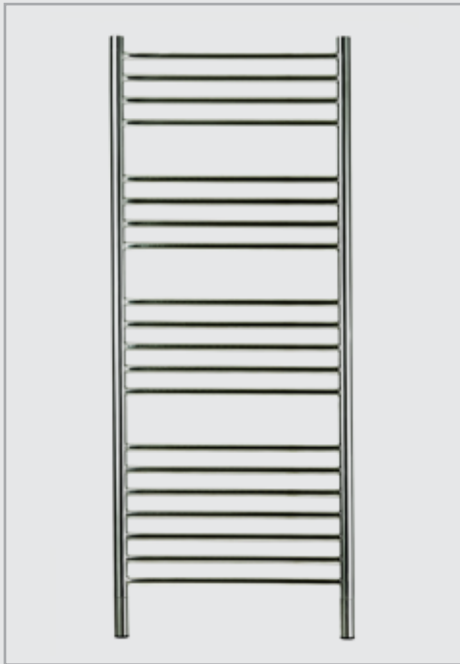
Jeeves Quadro P			
STOCK NO	OUTPUT W	RRP EXCL \$	RRP INCL \$
P62SBR	150	1,271.82	1,399.00

Jeeves Quadro P			
STOCK NO	OUTPUT W	RRP EXCL \$	RRP INCL \$
P62SBKR	175	1,271.82	1,399.00



EXCLUSIVE
AUSTRALIAN DISTRIBUTOR

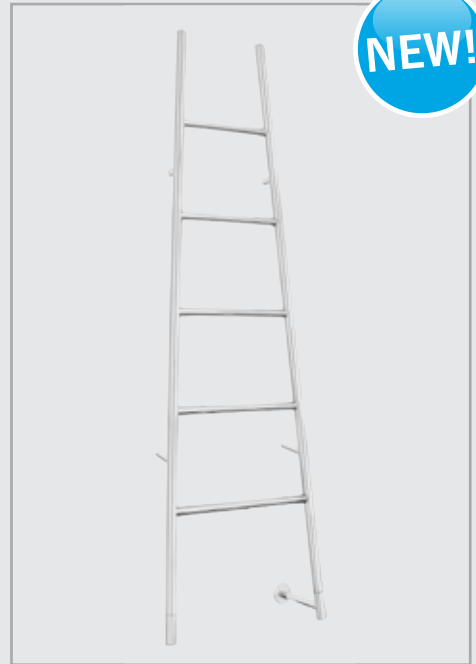
NEW!



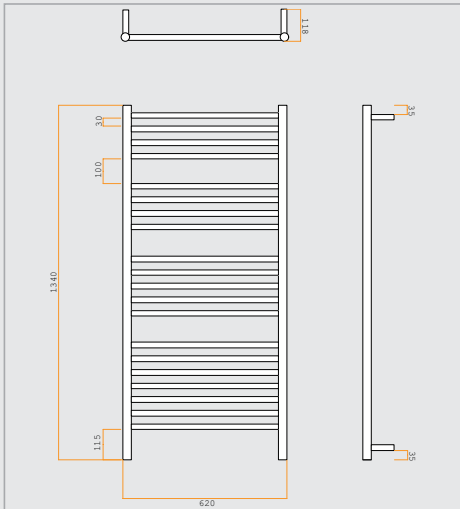
Classic D D62SPR - Polished



Classic D D62SBR - Brushed

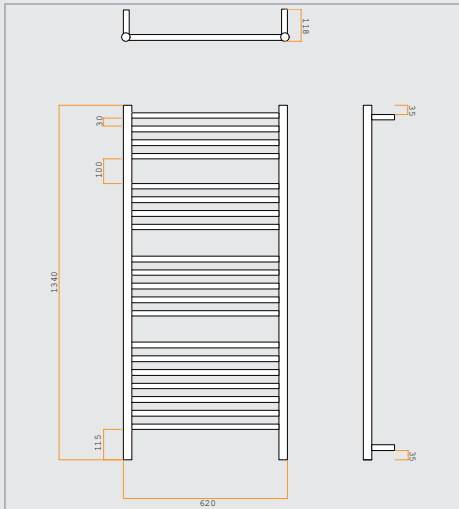


Tangent L L52SPR - Polished



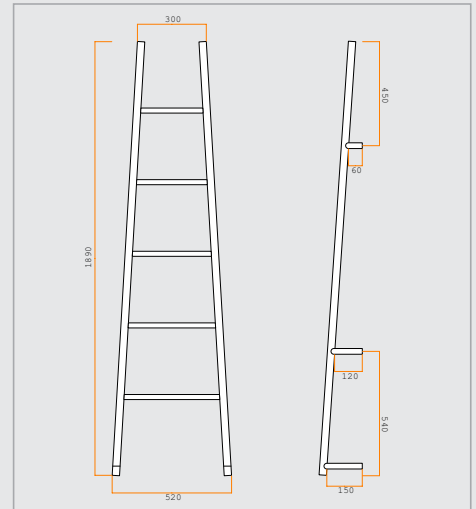
Size (mm): W620 x H1340 x D118

- Bottom right hand concealed wiring
- Left hand wired on request
- 20 Horizontal Bars
- 304 Grade Stainless Steel
- IPX5 protection rating
- 25 Year warranty on rail
- 5 Year warranty on element
- Polished Finish
- 853.04 BTU/hr



Size (mm): W620 x H1340 x D118

- Bottom right hand concealed wiring
- Left hand wired on request
- 20 Horizontal Bars
- 304 Grade Stainless Steel
- IPX5 protection rating
- 25 Year warranty on rail
- 5 Year warranty on element
- Brushed Finish
- 853.04 BTU/hr



Size (mm): W520 x H1890 x D150

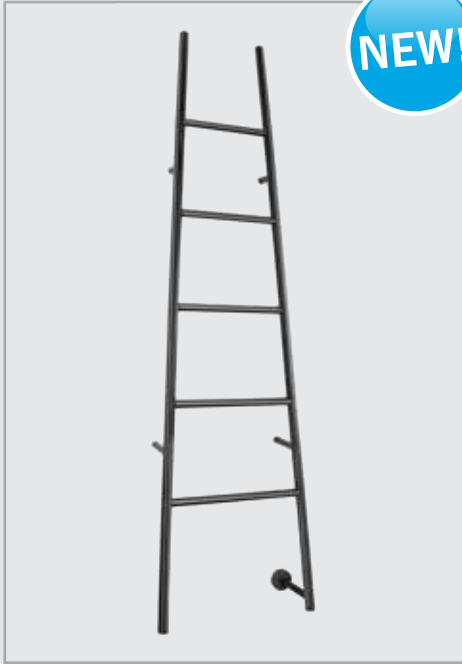
- Bottom right hand concealed wiring
- Left hand wired on request
- 5 Horizontal Bars
- 304 Grade Stainless Steel
- IPX5 protection rating
- 25 Year warranty on rail
- 5 Year warranty on element
- Polished Finish
- 409.44 BTU/hr

Jeeves Classic D			
STOCK NO	OUTPUT W	RRP EXCL \$	RRP INCL \$
D62SPR	250	1,271.82	1,399.00

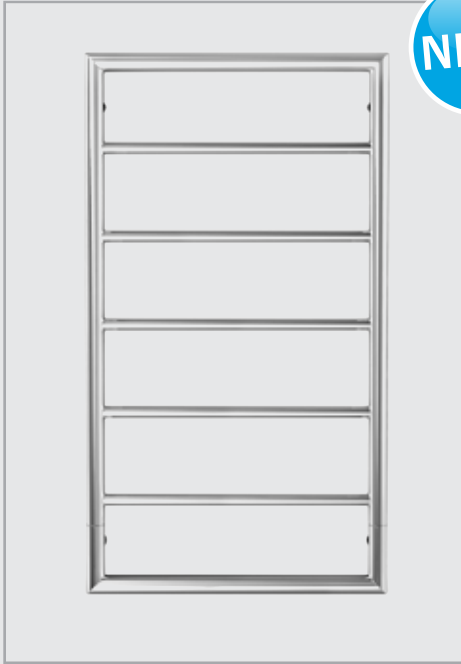
Jeeves Classic D			
STOCK NO	OUTPUT W	RRP EXCL \$	RRP INCL \$
D62SBR	250	1,318.18	1,450.00

Jeeves Tangent L			
STOCK NO	OUTPUT W	RRP EXCL \$	RRP INCL \$
L52SPR	120	1,590.91	1,750.00

EXCLUSIVE
AUSTRALIAN DISTRIBUTOR



NEW!



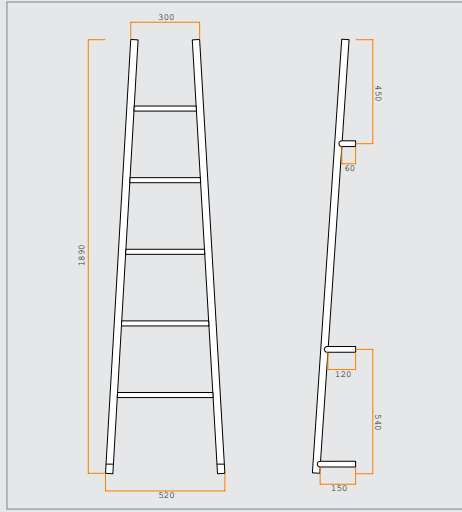
NEW!



Tangent L L52SBKR - Satin Black

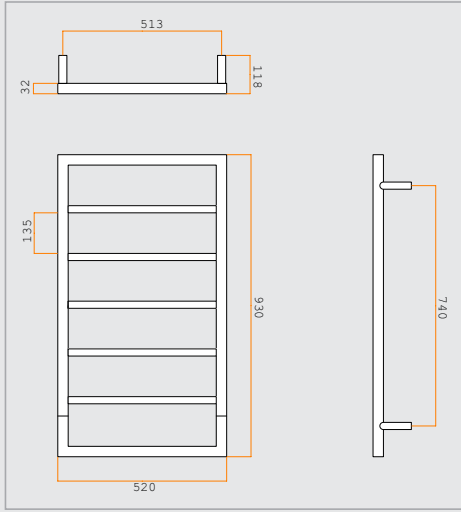
Spartan Boxx T52SPR - Polished

Spartan Boxx T52SBKR - Satin Black



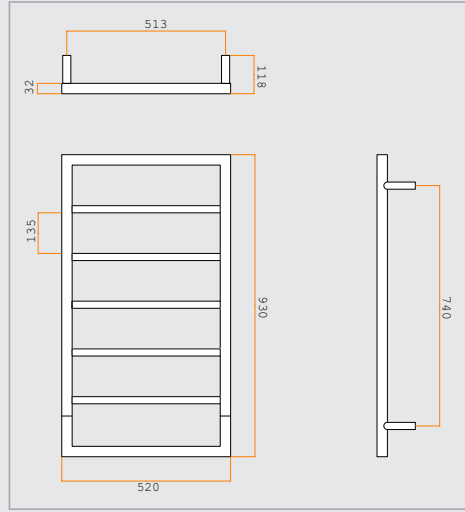
Size (mm): W520 x H1890 x D150

- Bottom right hand concealed wiring
- Left hand wired on request
- 5 Horizontal Bars
- 304 Grade Stainless Steel
- IPX5 protection rating
- 25 Year warranty on rail
- 5 Year warranty on element
- Satin Black Finish
- 682.4 BTU/hr



Size (mm): W520 x H930 x D118

- Bottom right hand concealed wiring
- Left hand wired on request
- 5 Horizontal Bars
- 304 Grade Stainless Steel
- IPX5 protection rating
- 25 Year warranty on rail
- 5 Year warranty on element
- Polished Finish
- 307.08 BTU/hr



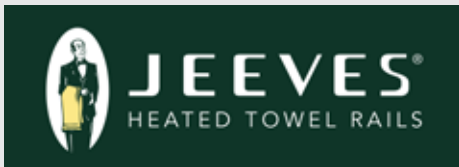
Size (mm): W520 x H930 x D118

- Bottom right hand concealed wiring
- Left hand wired on request
- 5 Horizontal Bars
- 304 Grade Stainless Steel
- IPX5 protection rating
- 25 Year warranty on rail
- 5 Year warranty on element
- Satin Black Finish
- 460.62 BTU/hr

Jeeves Tangent L			
STOCK NO	OUTPUT W	RRP EXCL \$	RRP INCL \$
L52SBKR	200	1,681.82	1,850.00

Jeeves Spartan Boxx			
STOCK NO	OUTPUT W	RRP EXCL \$	RRP INCL \$
T52SPR	90	1,180.91	1,299.00

Jeeves Spartan Boxx			
STOCK NO	OUTPUT W	RRP EXCL \$	RRP INCL \$
T52SBKR	135	1,235.45	1,359.00

**EXCLUSIVE**
AUSTRALIAN DISTRIBUTOR**Need a Replacement Element?
How to select the correct element
for your Jeeves heated towel rail.**

The element of the Jeeves heated towel rails can fail after a long period of use and the replacement Jeeves elements allow you to quickly and easily fix this without the expense and inconvenience of replacing the entire rail.

When choosing a new element, you need to know the wattage of the element that is currently in your heated towel rail. The replacement element can be within 10-15% of the wattage of the original element.

If selecting an element with a higher wattage than the original element, this will result in an increased surface temperature of the heated towel rail, whilst a lower wattage element will decrease the surface temperature.

Jeeves Electric Elements

STOCK NO	HEIGHT / LENGTH MM	OUTPUT W	RRP EXCL \$	RRP INCL \$
JE60	270	60	204.55	225.00
JE120	320	120	213.64	235.00
JE135	320	135	223.64	246.00
JE150	330	150	232.73	256.00
JE220	420	220	241.82	266.00

Technical Data



12 Volt Range

CODE	DESCRIPTION	BARS	WIDTH (MM)	HEIGHT (MM)	DEPTH (MM)	OUTPUT WATTS	WIRING OPTION	PAGE NO
DSS4	Straight/Square, #304 Polished Stainless Steel	1 Bar	450	40	100	17	C, R	81
DSS6	Straight/Square, #304 Polished Stainless Steel	1 Bar	632	40	100	23	C, R	81
DSS8	Straight/Square, #304 Polished Stainless Steel	1 Bar	832	40	100	30	C, R	81
DSS6B	Straight/Square, Black Powder Coated Finish	1 Bar	632	40	100	23	C, R	81
DSS6BR	Straight/Square, Brushed Stainless Steel	1 Bar	632	40	100	23	C, R	81
DSS6W	Straight/Square, White Powder Coated Finish	1 Bar	632	40	100	23	C, R	81
DSR6	Straight/Round, #304 Polished Stainless Steel	1 Bar	632	32	100	18	C, R	82
DSR6B	Straight/Round, Black Powder Coated Finish	1 Bar	632	32	100	18	C, R	82
DSC6	Square/Curved Corners, #304 Polished Stainless Steel	1 Bar	640	40	100	23	C, R	82
DCR7	Curved/Round, #304 Polished Stainless Steel	1 Bar	700	32	100	15	C, R	82
DCF7	Curved/Flat, #304 Polished Stainless Steel	1 Bar	700	40	100	21	C, R	82
SER4	Straight/Round, Single Ended, #304 Polished Stainless Steel	1 Bar	400	32	100	12	C	85
SER6	Straight/Round, Single Ended, #304 Polished Stainless Steel	1 Bar	600	32	100	17	C	85
SES6	Straight/Square, Single Ended, #304 Polished Stainless Steel	1 Bar	600	30	100	17	C	85
VS900H	Straight/Round, Vertical Bar, #304 Polished Stainless Steel	1 Bar	142	900	100	30	C	86
VS900HB	Straight/Round, Vertical Bar, Matt Black Coated Finish	1 Bar	142	900	100	30	C	87

Ladder Range

CODE	DESCRIPTION	BARS	WIDTH (MM)	HEIGHT (MM)	DEPTH (MM)	OUTPUT (WATTS)	WIRING OPTION	PAGE NO
SR4412	Straight/Round, 12V, #304 Polished Stainless Steel	7 Bar	600	800	122	90	C, R, L	86
SS4412	Straight/Square, 12V, #304 Polished Stainless Steel	7 Bar	600	800	120	90	C, R, L	86
SR17M	Straight/Round, #304 Polished Stainless Steel	8 Bar	400	1120	122	65	M	89
SR23M	Straight/Round, #304 Polished Stainless Steel	8 Bar	530	700	122	76	M	89
SR27M	Straight/Round, #304 Polished Stainless Steel	8 Bar	530	1120	122	80	M	89
SR33M	Straight/Round, #304 Polished Stainless Steel	8 Bar	750	700	122	104	M	90
SR44M	Straight/Round, #304 Polished Stainless Steel	7 Bar	600	800	122	80	M	90
SR69M	Straight/Round, #304 Polished Stainless Steel	10 Bar	700	1200	122	128	M	90
SR93M	Straight/Round, #304 Polished Stainless Steel	7 Bar	900	750	122	100	M	91
SR99M	Straight/Round, #304 Polished Stainless Steel	14 Bar	1000	1500	122	244	M	91
SR44SM	Straight/Round, With Switch #304 Polished Stainless Steel	7 Bar	600	800	122	90	M	91
CR40M	Curved/Round, #304 Polished Stainless Steel	4 Bar	600	420	150	45	M	92
CR44M	Curved/Round, #304 Polished Stainless Steel	7 Bar	600	800	150	80	M	92
CR27M	Curved/Round, #304 Polished Stainless Steel	8 Bar	530	1120	150	82	M	92
CR23M	Curved/Round, #304 Polished Stainless Steel	8 Bar	530	700	150	78	M	93
CR69M	Curved/Round, #304 Polished Stainless Steel	12 Bar	700	1400	150	153	M	93
SS19M	Straight/Square, #304 Polished Stainless Steel	10 Bar	450	1200	120	89	M	94
SS40M	Straight/Square, #304 Polished Stainless Steel	4 Bar	600	420	120	47	M	94
SS44M	Straight/Square, #304 Polished Stainless Steel	7 Bar	600	800	120	83	M	94

Wiring Option Key:

M = Multiflex (Concealed, Exposed, Left or Right, Top or Bottom) **C** = Concealed **E** = Exposed **L** = Left hand **R** = Right hand

Ladder Range (Continued)

CODE	DESCRIPTION	BARS	WIDTH (MM)	HEIGHT (MM)	DEPTH (MM)	OUTPUT (WATTS)	WIRING OPTION	PAGE NO
SS81M	Straight/Square, #304 Polished Stainless Steel	4 Bar	800	440	120	61	M	95
SS88M	Straight/Square, #304 Polished Stainless Steel	10 Bar	800	1160	120	153	M	95
SRS54M	Straight/Round/Square, #304 Polished Stainless Steel	8 Bar	650	800	128	105	M	95
BS24M	Straight/Round, #201 Polished Stainless Steel	3 Bar	550	450	122	33	M	96
BC44M	Curved/Round, #201 Polished Stainless Steel	7 Bar	600	800	150	80	M	96
BS44M	Straight/Round, #201 Polished Stainless Steel	7 Bar	600	800	122	80	M	97
BS46M	Straight/Round, #201 Polished Stainless Steel	9 Bar	600	1080	122	103	M	97
BS28M	Straight/Square, #201 Polished Stainless Steel	6 Bar	500	800	120	81	M	97
SFS44M	Square/Flat, #304 Polished Stainless Steel	6 Bar	600	800	115	90	M	98
SFS69M	Square/Flat, #304 Polished Stainless Steel	9 Bar	700	1200	115	160	M	98
SB34M	Straight/Round with Ball Detail, #304 Polished Stainless Steel	5 Bar	560	850	140	60	M	98
SB79M	Straight/Round with Ball Detail, #304 Polished Stainless Steel	7 Bar	680	1200	140	100	M	99
RSH38	Straight/Round Vertical Curve + Shelf, #304 Polished Stainless Steel	6 Bar	580	1190	225	75	C, R	99
SH44M	Straight/Round + Shelf, #304 Polished Stainless Steel	7 Bar	600	800	250	87	M	99
RSL24R	Straight/Round with Integrated Leg, #304 Polished Stainless Steel	8 Bar	500	800	110	75	C, R	100
RSL79R	Straight/Round with Integrated Leg, #304 Polished Stainless Steel	10 Bar	780	1250	110	142	C, R	100
SO44	Straight/Oval/Round, #304 Polished Stainless Steel	6 Bar	600	800	125	68	C, R	100
SBR44M	Straight/Round Box Shape, #304 Polished Stainless Steel	6 Bar	600	800	122	68	M	101
SF389	Straight/Square, 3 Piece #304 Polished Stainless Steel	6 Bar	850	740	110	165	C	101
SF389B	Straight/Square, 3 Piece Matt Black Finish	6 Bar	850	740	110	165	C	101
FS55E	Straight/Square, Free Standing, #201 Polished Stainless Steel	8 Bar	590	900	355	119	E	104
FS66E	Straight/Round, Free Standing, #201 Polished Stainless Steel	8 Bar	600	1080	300	100	E	104
UFS47	Straight/Flat, Free Standing - Non Heated, #201 Polished St. Steel	2 Bar	600	1000	220	N/A	N/A	104
SV24	Straight/Round Swivel #304 Polished Stainless Steel	4 Bar	600	540	99	48	C, E	105
SV43	Straight/Round Swivel #304 Polished Stainless Steel	6 Bar	675	740	99	77	C, E	105
SV35	Straight/Square Swivel, #304 Polished Stainless Steel	4 Bar	600	540	99	48	C,E	105
FC70S	Straight/Square/Floor to Ceiling, #201 Polished Stainless Steel	16 Bar	700	2400-3000	40	230	C	106
FC70R	Straight/Round, Floor to Ceiling, #201 Polished Stainless Steel	16 Bar	700	2400-3000	50	230	C	106
FC70B	Straight/Round, Floor to Ceiling, Black Powder Coated Finish	16 Bar	700	2400-3000	50	230	C	106
SR44MB	Straight/Round, Black Powder Coated Finish	7 Bar	600	800	122	120	M	107
BS48MB	Straight/Square, Black Powder Coated Finish	6 Bar	600	800	120	100	M	107
BS44MW	Straight/Round, White Powder Coated Finish	7 Bar	600	800	122	80	M	108
SRB27M	Straight/Round, Brushed Stainless Steel Finish	8 Bar	530	1120	122	80	M	108
SRB69M	Straight/Round, Brushed Stainless Steel Finish	10 Bar	700	1200	122	128	M	109
SR65GM	Straight/Round with Ball Detail, Gold Finish	8 Bar	700	900	135	100	M	109
CR44GM	Curved/Round, Gold Finish	7 Bar	600	800	155	90	M	109

Wiring Option Key:

M = Multiflex (Concealed, Exposed, Left or Right) C = Concealed E = Exposed L = Left hand R = Right hand

Technical Data



Non Heated Range

CODE	DESCRIPTION	BARS	WIDTH (MM)	HEIGHT (MM)	DEPTH (MM)	PAGE NO
USR54	Straight/Round, #304 Polished Stainless Steel	5 Bar	630	800	122	110
USS56	Straight/Square, #304 Polished Stainless Steel	5 Bar	650	1000	120	110
USF75	Straight/Flat, #304 Polished Stainless Steel	4 Bar	750	980	100	110
USSS45	Straight/Square/S Shape, #201 Polished Stainless Steel	5 Bar	600	900	100	111
USS49	Straight/Round, #201 Polished Stainless Steel	5 Bar	460	925	95	111
USS69	Straight/Round, #201 Polished Stainless Steel	5 Bar	610	925	95	111
USL44	Straight/Round, #201 Polished Stainless Steel	7 Bar	600	800	205	112
USS4	Straight/Square, #304 Polished Stainless Steel	1 Bar	450	40	100	113
USS6	Straight/Square, #304 Polished Stainless Steel	1 Bar	632	40	100	113
USS8	Straight/Square, #304 Polished Stainless Steel	1 Bar	832	40	100	113
USR6	Straight/Round, #304 Polished Stainless Steel	1 Bar	632	32	100	112
UCR7	Curved/Round, #304 Polished Stainless Steel	1 Bar	700	32	100	112
UCF7	Curved/Flat, #304 Polished Stainless Steel	1 Bar	700	40	100	112
USS6B	Straight/Square, Black Powder Coated Finish	1 Bar	632	40	100	113
USS6BR	Straight/Square, Brushed Stainless Steel	1 Bar	632	40	100	113
USS6W	Straight/Square, White Powder Coated Finish	1 Bar	632	40	100	113
USR6B	Straight/Round, Black Powder Coated Finish	1 Bar	632	32	100	112
UFS47	Straight/Flat, Free Standing, #201 Polished Stainless Steel	2 Bar	600	1000	220	104

Hydronic Range

CODE	DESCRIPTION	BARS	WIDTH (MM)	HEIGHT (MM)	DEPTH (MM)	PAGE NO
HSRC44	Straight/Round, Chrome Plated Steel	4+4+5 Bar	600	800	79-98	116
HSRC48	Straight/Round, Chrome Plated Steel	3+5+5+8 Bar	600	1150	79-98	116
HSFC44	Straight/Flat Bar, Chrome Plated Steel	4+7 Bar	600	800	64-84	116
HSFC48	Straight/Flat Bar, Chrome Plated Steel	3+5+8 Bar	600	1200	64-84	117

Jeeves Range

CODE	DESCRIPTION	BARS	WIDTH (MM)	HEIGHT (MM)	DEPTH (MM)	ELEMENT (W)	WIRING OPTION	PAGE NO
P62SPR	Straight/Round, #304 Polished Stainless Steel	12 Bar	620	870	118	150	C, L, R	124
P62SBR	Straight/Round, #304 Brushed Stainless Steel	12 Bar	620	870	118	150	C, L, R	124
P62SBKR	Straight/Round, Satin Black Finish	12 Bar	620	870	118	175	C, L, R	124
K10SPR	Straight/Round, #304 Polished Stainless Steel	10 Bar	1000	690	118	200	C, L, R	125
M62SPR	Straight/Round with Shelf, #304 Polished Stainless Steel	7 Bar	620	555	326	120	C, L, R	125
W11SR	Straight/Round/Swivel, #304 Polished Stainless Steel	6 Bar	520	1100	118	90	C, L, R	125
D62SPR	Straight/Round, #304 Polished Stainless Steel	20 Bar	620	1340	118	250	C, L, R	126
D62SBR	Straight/Round, #304 Brushed Stainless Steel	20 Bar	620	1340	118	250	C, L, R	126
L52SPR	Straight/Round, #304 Polished Stainless Steel	5 Bar	520	1890	150	120	C, L, R	126
L52SBKR	Straight/Round, Satin Black Finish	5 Bar	520	1890	150	200	C, L, R	127
T52SPR	Straight/Round, #304 Polished Stainless Steel	5 Bar	520	930	118	90	C, L, R	127
T52SBKR	Straight/Round, Satin Black Finish	5 Bar	520	930	118	135	C, L, R	127

Wiring Option Key:

M = Multiflex (Concealed, Exposed, Left or Right)

C = Concealed

E = Exposed

L = Left hand

R = Right hand

**R2SRH Robe Hook - Round**

STOCK NO	RRP EXCL \$	RRP INCL \$
R2SRH	14.55	16.00

**R2RH Robe Hook - Round**

STOCK NO	RRP EXCL \$	RRP INCL \$
R2RH	35.45	39.00

**R2WSD Wire Soap Dish**

STOCK NO	RRP EXCL \$	RRP INCL \$
R2WSD	16.36	18.00

**R2PHC Toilet Paper Holder with Cover**

STOCK NO	RRP EXCL \$	RRP INCL \$
R2PHC	32.73	36.00

**R2PH Toilet Paper Holder - Round**

STOCK NO	RRP EXCL \$	RRP INCL \$
R2PH	26.36	29.00

**R2TR Towel Ring - Round**

STOCK NO	RRP EXCL \$	RRP INCL \$
R2TR	26.36	29.00

**R2TBD Toilet Brush - Wall or Floor Mounted**

STOCK NO	RRP EXCL \$	RRP INCL \$
R2TBD	44.55	49.00

**SB3DTB Heritage Style Toilet Brush**

STOCK NO	RRP EXCL \$	RRP INCL \$
SB3DTB	44.55	49.00

**R2TB Toilet Brush - Round Wall Mount**

STOCK NO	RRP EXCL \$	RRP INCL \$
R2TB	44.55	49.00

**S3TB Toilet Brush - Square Wall Mount**

STOCK NO	RRP EXCL \$	RRP INCL \$
S3TB	75.45	83.00

**S3TR Towel Ring - Square**

STOCK NO	RRP EXCL \$	RRP INCL \$
S3TR	60.91	67.00

**S3PH Toilet Paper Holder - Square**

STOCK NO	RRP EXCL \$	RRP INCL \$
S3PH	59.09	65.00



Size (mm): W750 x H53 x D128

S3DR75 Square Double Rail

STOCK NO	RRP EXCL \$	RRP INCL \$
S3DR75	165.45	182.00



Size (mm): W750 x H53 x D72

S3SR75 Square Single Rail

STOCK NO	RRP EXCL \$	RRP INCL \$
S3SR75	114.55	126.00



Size (mm): W600 x H60 x D135
Size (mm): W750 x H60 x D135

R2DR60 / R2DR75 Round Double Rail

STOCK NO	RRP EXCL \$	RRP INCL \$
R2DR60	71.82	79.00
R2DR75	117.27	129.00



Size (mm): W600 x H60 x D75
Size (mm): W750 x H60 x D75

R2SR60 / R2SR75 Round Single Rail

STOCK NO	RRP EXCL \$	RRP INCL \$
R2SR60	53.64	59.00
R2SR75	62.73	69.00



Size (mm): W690 x H195 x D244

UTRC62 Round Profile Shelf Rail

STOCK NO	RRP EXCL \$	RRP INCL \$
UTRC62	235.45	259.00



Size (mm): W600 x H175 x D230

UTRB62 Round Profile Shelf Rail

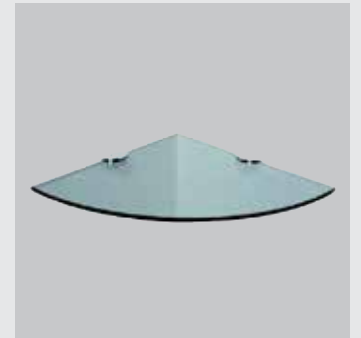
STOCK NO	RRP EXCL \$	RRP INCL \$
UTRB62	162.73	179.00



Size (mm): W500 x D100

R2GS Clear Tempered Glass Shelf

STOCK NO	RRP EXCL \$	RRP INCL \$
R2GS	90.00	99.00



Size (mm): W300 x D300

GCS31 Glass Corner Shelf

STOCK NO	RRP EXCL \$	RRP INCL \$
GCS31	80.91	89.00



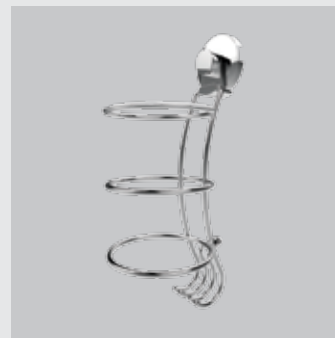
HDHSC Spiral Hair Dryer Holder - Suction Mount

STOCK NO	RRP EXCL \$	RRP INCL \$
HDHSC	35.45	39.00



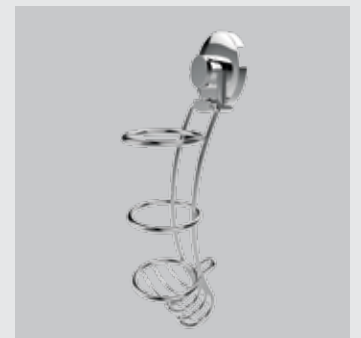
HDHSP Spiral Hair Dryer Holder - Screw to Wall

STOCK NO	RRP EXCL \$	RRP INCL \$
HDHSP	26.36	29.00



HDSH Spiral Hair Dryer Holder - Suction Mount

STOCK NO	RRP EXCL \$	RRP INCL \$
HDSH	80.91	89.00



HSHSC Hair Straightener Holder - Suction Mount

STOCK NO	RRP EXCL \$	RRP INCL \$
HSHSC	80.91	89.00



EASY TO CLEAN

AUSTRALIAN MADE MIRROR

SANDBLASTED FEATURE BORDER

Model Shown: REN06



ABLAZE MIRRORS

Premium Back-lit Range

Magnifying Mirror Range

Thermomirror Demisters

Contractor Range

Signature Range

Contractor Back-lit Range

Art Deco Range

Mirror Cabinet Range



A must-have luxury addition for every bathroom!

Ablaze back-lit mirrors are the ideal solution for enhancing the ambience of any bathroom, hallway or room of your home. Add a sense of luxury and style to your design through the inclusion of one of these stunning premium range mirrors.

When you are looking to add that little bit extra to your bathroom design there is sure to be something that suits you from our range. The quality of these mirrors is reflected through the intense ambience of the lighting as all models now come with low energy LED lights which are perfect for using as a night light in your bathroom.

These mirrors are simple to install with their unique back box design which allows the mirror to lift off the frame during installation. The aluminium back box is then screwed to the wall and the mirror clips onto the frame.

With the premium range of back-lit mirrors it just keeps getting better. Most of the models now include a built in mirror demister pad. This is the ultimate solution for keeping your mirrors fog free in the bathroom, adding luxury to your room.

5 Reasons for Back-lit Mirrors

- ✓ Enhances the ambience in any room
- ✓ Heated with a Thermomirror demister
- ✓ Increased light and visibility
- ✓ Connects to existing lighting circuit
- ✓ Easy to install

Mirror
Demisters
on most
models!

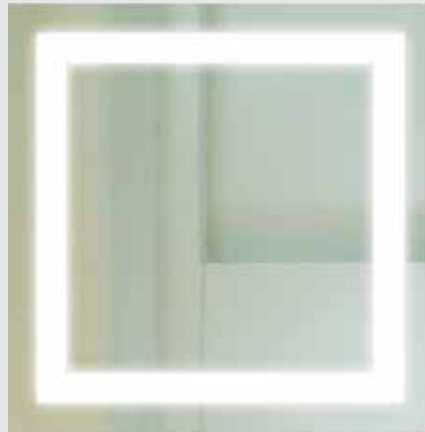


Ablaze Premium Back-Lit Mirrors run on a low energy light allowing the light to be left on at night as a night light. All models include LED lights and have a 12 Volt transformer in the unit. Wiring is through the centre of the back box and this needs to be hard wired to a switch in the room, either with your light switch or an additional switch in the centre of the power point. Most models can be hung horizontally or vertically and can be converted to warm light upon request.



S Range

- Low energy LED lights
- Cool light
- Demister Included
- 12 Volt Transformer Included
- No switch on unit
- Simple to install
- Horizontal / Vertical mount



SQ Range

- Low energy LED lights
- Warm and Cool light options
- Demister Included
- 12 Volt Transformer Included
- No switch on unit
- Simple to install



SR Range

- Low energy LED lights
- Cool light
- Demister Included
- 12 Volt Transformer Included
- No switch on unit
- Simple to install
- Horizontal / Vertical mount

ABLAZE S RANGE						
STOCK NO	LIGHT	SIZE (W X H X D) MM	OUTPUT W	DEMISTER W	RRP EXCL \$	RRP INCL \$
S500C	COOL	750 x 500 x 45	27	12	635.45	699.00
S750C WSL	COOL	750 x 750 x 45	33	16	662.73	729.00
S759C	COOL	900 x 750 x 45	36	19	817.27	899.00
S900C	COOL	900 x 900 x 45	42	26	908.18	999.00
S1500C	COOL	1500 x 800 x 45	54	24	1,445.45	1,590.00

Mirror Demister included

ABLAZE SQ RANGE						
STOCK NO	LIGHT	SIZE (W X H X D) MM	OUTPUT W	DEMISTER W	RRP EXCL \$	RRP INCL \$
SQ762C	COOL	762 x 762 x 45	31	16	817.27	899.00
SQ762W	WARM	762 x 762 x 45	31	16	862.73	949.00
SQ1143C WSL	COOL	1143 x 1143 x 45	51	54	908.18	999.00

Mirror Demister included

ABLAZE SR RANGE						
STOCK NO	LIGHT	SIZE (W X H X D) MM	OUTPUT W	DEMISTER W	RRP EXCL \$	RRP INCL \$
SR1118C	COOL	1200 x 800 x 45	42	24	1,180.91	1,299.00

Mirror Demister included

WSL Only available while stock lasts

See Pg. 160 - 161 for line drawings



R Range

- Low energy LED lights
- Available in Cool & Warm light
- Demister Included
- 12 Volt Transformer Included
- No switch on unit
- Simple to install

RB Range

- Low energy LED lights
- Available in Cool & Warm light
- 12 Volt Transformer Included
- No switch on unit
- Simple to install

RO Range

- Low energy LED lights
- Warm light
- 12 Volt Transformer Included
- No switch on unit
- Simple to install
- Horizontal / Vertical mount

ABLAZE R RANGE

STOCK NO	LIGHT	SIZE MM	DEPTH MM	OUTPUT W	RRP EXCL \$	RRP INCL \$
R610W	WARM	863 ø	45	32	971.82	1,069.00
R610C	COOL	914 ø	45	34	908.18	999.00



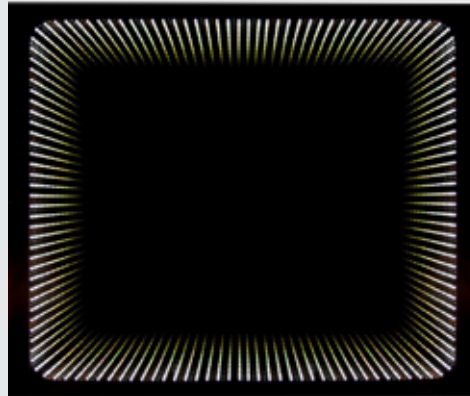
ABLAZE RB RANGE

STOCK NO	LIGHT	SIZE MM	DEPTH MM	OUTPUT W	RRP EXCL \$	RRP INCL \$
RB610W	WARM	610 ø	45	18	590.00	649.00
RB610C	COOL	610 ø	45	18	544.55	599.00

ABLAZE RO RANGE

STOCK NO	LIGHT	SIZE (W X H X D) MM	OUTPUT W	RRP EXCL \$	RRP INCL \$
RO137W WSL	WARM	1300 x 700 x 45	40	908.18	999.00
RO158W	WARM	1500 x 800 x 45	46	726.36	799.00

See Pg.162 - 163 for line drawings



BL Range

- Low energy LED lights
- Cool light
- 12 Volt Transformer Included
- No switch on unit
- Easy to install
- Vertical mount only

BBL Range

- Awesome 3D effect!
- Low energy LED lights
- Cool light
- 12 Volt Transformer Included
- No switch on unit
- Easy to install
- All-in-one concealed unit
- Horizontal / Vertical mount

ABLAZE BL RANGE

STOCK NO	LIGHT	SIZE (W X H X D) MM	OUTPUT W	RRP EXCL \$	RRP INCL \$
BL508C	WSL COOL	508 x 711 x 45	18	453.64	499.00

ABLAZE BBL RANGE

STOCK NO	LIGHT	SIZE (W X H X D) MM	OUTPUT W	RRP EXCL \$	RRP INCL \$
BBL68	COOL	790 x 650 x 45	18	680.91	749.00

See Pg.163 for line drawings

FREQUENTLY ASKED QUESTIONS

Can I use a back-lit mirror as the only light in my room?

This depends on the size of the mirror and the size of the bathroom. In most situations normal overhead lighting should be available in addition to the back-lit mirror.

What is the difference between Cool and Warm light?

Warm lights emit more of a yellowish colour that produces a warm and welcoming atmosphere designed to mimic natural sunlight.

Cool lights emit a brighter, white artificial light for a cleaner feel and makes the mirror more functional.

How is the mirror controlled/operated?

The premium range of back-lit mirrors don't include a switch on the unit. They are designed to be hard wired into a simple switch, a programmable timer p102 or the Thermotouch 4.3dC controller Pg.42.

What does it cost to run my Back-lit mirror?

The LED's on the back-lit range consume minimal energy and running costs are almost negligible. For example a mid-range, average sized mirror (eg. S900C) will cost only one cent per hour to run. (Based on a 0.3 kw/h energy tariff)



When planning bathrooms we always include a mirror but often overlook including a **Magnifying Mirror** yet when we come to apply make-up or shave the mirror becomes the most important accessory. When you consider the cost of make-up it only makes sense to have a magnifying mirror to ensure you achieve the desired result. Having the right magnification mirror allows you to use the mirror (even without your glasses) to make sure you look your best!

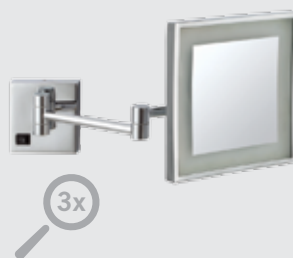


L252CSMC/E

- 3x Magnification
- 250mm Diameter
- Chrome Plated Brass
- Arm Extends to 390mm
- 3 Watt White LED Light
- IP44 Protection Rating

L252CSMC – Concealed Wiring
RRP EXCL \$335.45 RRP INCL \$369.00

L252CSME – Exposed Wiring
RRP EXCL \$335.45 RRP INCL \$369.00



LS205CSMC/E

- 3x Magnification
- 200 x 200mm
- Chrome Plated Brass
- Arm Extends to 390mm
- 3 Watt White LED Light
- IP44 Protection Rating

LS205CSMC – Concealed Wiring
RRP EXCL \$390.00 RRP INCL \$429.00

LS205CSME – Exposed Wiring
RRP EXCL \$390.00 RRP INCL \$429.00



L253CSMC/E

- 3x Magnification
- 250mm Diameter
- Chrome Plated Brass
- Arm Extends to 390mm
- 3 Watt Warm LED Light
- IP44 Protection Rating

L253CSMC – Concealed Wiring
RRP EXCL \$362.73 RRP INCL \$399.00

L253CSME – Exposed Wiring
RRP EXCL \$362.73 RRP INCL \$399.00



L255CSMC/E

- 5x Magnification
- 250mm Diameter
- Chrome Plated Brass
- Arm Extends to 390mm
- 3 Watt White LED Light
- IP44 Protection Rating

L255CSMC – Concealed Wiring
RRP EXCL \$408.18 RRP INCL \$449.00

L255CSME – Exposed Wiring
RRP EXCL \$408.18 RRP INCL \$449.00

See Pg.165 - 166 for line drawings



thermogroup-ablaze mirrors
1
YEAR
warranty

ablaze
MIRRORS



LS253CSMA

- 3x Magnification
- 200 x 200mm
- Chrome Plated Brass
- Arm Extends to 305mm
- 3 Watt White LED Light
- Concealed Wiring
- Acrylic light emitting strip around edge of frame
- IP44 Protection Rating



LS253CSMA – Concealed Wiring
RRP EXCL \$426.36 RRP INCL \$469.00

5 Reasons for Magnifying Mirrors

- ✓ Enhances the ambience in any room
- ✓ Varying magnification to suit your need
- ✓ Increased light and visibility
- ✓ Fold back when not in use
- ✓ Easy to install



L155CSMC/E

- 1 & 5x Magnification
- 200mm Diameter
- Chrome Plated Brass
- Arm Extends to 320mm
- 3 Watt White LED Light
- IP44 Protection Rating

L155CSMC – Concealed Wiring
RRP EXCL \$408.18 RRP INCL \$449.00

L155CSME – Exposed Wiring
RRP EXCL \$408.18 RRP INCL \$449.00

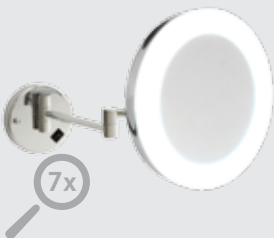


L258CSMC/E

- 1 & 8x Magnification
- 200mm Diameter
- Chrome Plated Brass
- Arm Extends to 320mm
- 3 Watt White LED Light
- IP44 Protection Rating

L258CSMC – Concealed Wiring
RRP EXCL \$453.64 RRP INCL \$499.00

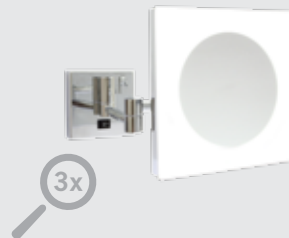
L258CSMCE – Exposed Wiring
RRP EXCL \$453.64 RRP INCL \$499.00



LR257CSM

- 7x Magnification
- 200mm Diameter
- Chrome Plated Brass
- Arm Extends to 380mm
- 3 Watt White LED Light
- Concealed Wiring
- IP44 Protection Rating

LR257CSM – Concealed Wiring
RRP EXCL \$335.45 RRP INCL \$369.00



LR253CSM

- 3x Magnification
- 200 x 200mm
- Chrome Plated Brass
- Arm Extends to 416mm
- 3 Watt White LED Light
- Concealed Wiring
- IP44 Protection Rating

LR253CSM – Concealed Wiring
RRP EXCL \$344.55 RRP INCL \$379.00



L252CSMCB

- 3x Magnification
- 250mm Diameter
- Matt Black Finish
- Arm Extends to 390mm
- 3 Watt White LED Light
- Concealed Wiring
- IP44 Protection Rating

L252CSMCB – Concealed Wiring
RRP EXCL \$362.73 RRP INCL \$399.00



LS205CSMCB

- 3x Magnification
- 200 x 200mm
- Matt Black Finish
- Arm Extends to 390mm
- 3 Watt White LED Light
- Concealed Wiring
- IP44 Protection Rating

LS205CSMCB – Concealed Wiring
RRP EXCL \$408.18 RRP INCL \$449.00

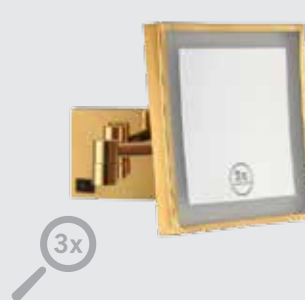


L252GSMC/E

- 3x Magnification
- 250mm Diameter
- Gold Plated Brass
- Arm Extends to 390mm
- 3 Watt White LED Light
- IP44 Protection Rating

L252GSMC – Concealed Wiring
RRP EXCL \$408.18 RRP INCL \$449.00

L252GSME – Exposed Wiring
RRP EXCL \$408.18 RRP INCL \$449.00



LS205GSMC/E

- 3x Magnification
- 200 x 200mm
- Gold Plated Brass
- Arm Extends to 390mm
- 3 Watt White LED Light
- IP44 Protection Rating

LS205GSMC – Concealed Wiring
RRP EXCL \$420.91 RRP INCL \$463.00

LS205GSME – Exposed Wiring
RRP EXCL \$420.91 RRP INCL \$463.00

See Pg.165 - 166 for line drawings



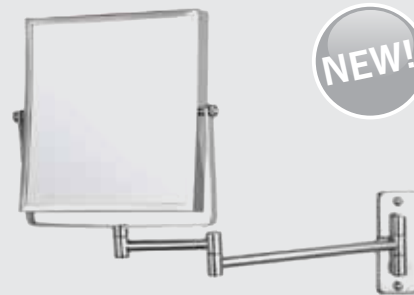
Ablaze Magnifying Mirrors are an important accessory in bathrooms today giving you the extra clarity required when applying make-up or shaving . With over 25 models to choose from, there is sure to be one to suit your décor, style & budget.



R16SM

- 1 & 5x Magnification
- 200mm Diameter
- Chrome Plated Brass
- Arm Extends to 330mm

RRP EXCL \$140.91 RRP INCL \$155.00



S15SM

- 1 & 5x Magnification
- 200 x 200mm
- Chrome Plated Brass
- Arm Extends to 330mm

RRP EXCL \$208.18 RRP INCL \$229.00



See Pg.166 - 167 for line drawings



R18SM

- 1 & 8x Magnification
- 200mm Diameter
- Chrome Plated Brass
- Arm Extends to 330mm

RRP EXCL \$160.00 RRP INCL \$176.00



R10SM

- 1 & 10x Magnification
- 200mm Diameter
- Chrome Plated Brass
- Arm Extends to 330mm

RRP EXCL \$180.91 RRP INCL \$199.00



S15SMB

- 1 & 5x Magnification
- 200 x 200mm
- Matt Black Finish
- Arm Extends to 330mm

RRP EXCL \$222.73 RRP INCL \$245.00



R16SMB

- 1 & 5x Magnification
- 200mm Diameter
- Matt Black Finish
- Arm Extends to 330mm

RRP EXCL \$162.73 RRP INCL \$179.00



CR465SM

- 1 & 3x Magnification
- 170mm Diameter
- Chrome Plated Brass
- Arm Extends to 570mm

RRP EXCL \$80.91 RRP INCL \$89.00



R46SM

- 1 & 4x Magnification
- 200mm Diameter
- Chrome Plated Brass
- Arm Extends to 500mm

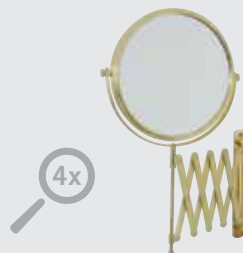
RRP EXCL \$158.18 RRP INCL \$174.00



R205GSM

- 1 & 5x Magnification
- 200mm Diameter
- Gold Plated Brass
- Arm Extends to 330mm

RRP EXCL \$171.82 RRP INCL \$189.00



RS204GSM

- 1 & 4x Magnification
- 200mm Diameter
- Gold Plated Brass
- Arm Extends to 500mm

RRP EXCL \$171.82 RRP INCL \$189.00



V205CSM

- 1 & 5x Magnification
- 200mm Diameter
- Chrome Plated Brass
- Adjustable Height: 455 - 545mm

RRP EXCL \$174.55 RRP INCL \$192.00



C185SM

- 1 & 5x Magnification
- 175mm Diameter
- Height 340mm
- Chrome Plated Brass
- Requires 4x AAA Batteries (not included)
- 1.5 Watt White LED Light

RRP EXCL \$180.91 RRP INCL \$199.00

See Pg.166 - 167 for line drawings



Does your mirror fog up? The clear solution is Thermomirror!

Thermomirror is the easy way to add that little bit of extra luxury and usability to your bathroom. The thin demister pad is adhered to the rear of your mirror and connected to your light switch or a movement sensor. Thermomirror prevents condensation on your mirror and gives you clear visibility even after a hot bath or shower. Custom sizes available for projects (min qty apply).

Benefits of Thermomirror

- ✓ Use your mirror straight after a hot bath or shower and improve the bathroom experience
- ✓ Self Adhesive – Simply sticks to the back of your mirror
- ✓ Ultra-thin (Only 0.4mm thick) and unobtrusive to remain discreet yet effective
- ✓ Easy installation into your existing lighting, underfloor heating or movement sensor circuit
- ✓ Use multiple pads in parallel to cover larger mirrors with ease
- ✓ No bulky transformers, simply connect to your existing circuit
- ✓ Moisture resistant and will not deteriorate due to vibration or ageing
- ✓ Economical as it consumes less power than the average light bulb
- ✓ Perfectly safe for use in bathrooms when installed in accordance with local electrical regulations and has an IP54 Protection Rating
- ✓ Can be wired up, to switch on automatically with your light switch, PIR movement sensor (5264 – Pictured) or Dual Controller (5245 – See Pg.42)

Thermomirror emits heat and it is important to provide adequate insulation especially when installing into cavity walls. Econoboard Insulation is recommended (See page 145) to be installed behind the Thermomirror to achieve optimal performance.



PIR Movement Sensor

STOCK NO	RRP EXCL \$	RRP INCL \$
5264	90.00	99.00



Thermomirror is a must for every bathroom. The ultra thin demister pad provides a clear and condensation free mirror in any bathroom and is available in a range of practical sizes.



Thermomirror PRO Demister Pad

- Self-adhesive strips down each side
- Connection point on each side
- IP54 Protection Rating
- 240 Volts
- Can be cut to length on site
- 10 Year Warranty



Thermomirror™ PRO - Adhesive, demister pad

STOCK NO	DESCRIPTION	SIZE (MM) L x W	HEAT OUTPUT (WATTS)	RRP EXCL \$	RRP INCL \$
5300	Rectangular	250 x 500	19	153.64	169.00
5301	Square	500 x 500	38	175.45	193.00
5303	Rectangular	1000 x 500	75	222.73	245.00



Thermomirror EZ Demister Pad

- Fully self-adhesive pad
- Single connection point
- IP54 Protection Rating
- 240 Volts
- Different shapes available
- 5 Year Warranty



Thermomirror™ EZ - Fully self adhesive, fixed size demister pad

STOCK NO	DESCRIPTION	SIZE (MM) L x W	HEAT OUTPUT (WATTS)	RRP EXCL \$	RRP INCL \$
5325	Rectangular	400 x 600	46	80.91	89.00
5326	Rectangular	600 x 800	96	149.09	164.00
5328	Rectangular	1000 x 750	136	208.18	229.00
5330	Rectangular	1000 x 1300	242	350.00	385.00
5332	Oval	400 x 600	36	90.00	99.00
5333	Oval WSL	600 x 800	76	144.55	159.00
5339	Round WSL	380 Ø	20	117.27	129.00
5343	Round WSL	520 Ø	41	126.36	139.00
5322	Round	780 Ø	99	171.82	189.00
5320	Mirror Adhesive	300 mL		27.27	30.00

Thermomirror Insulation Boards

STOCK NO	DESCRIPTION	SIZE (MM)	RRP EXCL \$	RRP INCL \$
5006	6mm Coated Insulation Board	1200 x 600	42.00	46.20

Placing an insulation board behind your mirror demister will help improve the efficiency and effectiveness of the demister. Boards can simply be cut to size on site.



Prevent the fogginess on your shower niche mirrors!

Having a mirror in your shower niche is an ideal option for shaving and washing however it is guaranteed to fog up almost every time due to the effect of warm air on the cold glass. Thermomirror 12Volt Demister is the clear solution to this problem. Designed as a low voltage demister pad, these demisters can go in your shower niche, warming the back of the mirror, therefore preventing it from fogging up.

5 Reasons to choose 12Volt Thermomirror

- ✓ Shower niche package available (inc. Mirror)
- ✓ Includes 12Volt Transformer
- ✓ Self-adhesive - Simply stick to back of mirror
- ✓ Moisture resistant
- ✓ 5 Year warranty



GET THE COMPLETE PACKAGE

Always providing that little bit extra, the demister also comes in a complete shower niche package! The package includes:

- Insulation - H600 x W400 x D6mm Econoboard Coated Board to insulate behind the heating pad for optimum performance.
- Thermomirror - 12Volt 300 x 300mm mirror demister pad with 1m lead.
- 6mm Australian Made Mirror - 400 x 400mm mirror to allow a good sized niche and ensure a good bond and seal around the demister.
- Transformer - 12Volt Transformer to be installed within 2m of the Thermomirror Demister (but outside the shower zone), either in wall cavity or ceiling, making sure the transformer is well ventilated and accessible.
- Silicone/Adhesive - Mirror adhesive to adhere the mirror to the insulation board and seal around the mirror pad.

Thermomirror 12Volt Adhesive Demister Pad

STOCK NO	DESCRIPTION	OUTPUT W	RRP EXCL \$	RRP INCL \$
5312	300 x 300mm 12Volt Demister Pad, Includes Transformer	14	90.00	99.00
5312P	Shower Niche Package - Mirror, 12Volt Demister Pad, Transformer, Insulation Board, Adhesive	14	271.82	299.00



Ablaze Contractor range mirrors are designed for the budget conscious. The contractor range of mirrors are made of 5mm imported glass but still have the vinyl backing conforming to Australian Standard AS2208. Available only in a fixed range of sizes and hanging methods as shown. All mirrors can be hung vertically or horizontally.

CONTRACTOR RANGE - POLISHED EDGE SERIES

STOCK NO	DESCRIPTION	SIZE MM	RRP EXCL \$	RRP INCL \$
BMTYL01	Polished Edge Mirror - Glue to wall	600 x 750	135.45	149.00
BMTYL03	Polished Edge Mirror - Hangers	900 x 750	144.55	159.00
BMTYL04	Polished Edge Mirror - Hangers	750 x 750	113.64	125.00
BMTYL05	Polished Edge Mirror - Hangers	1200 x 750	153.64	169.00



CONTRACTOR RANGE - BEVEL EDGE SERIES - 25mm Polished Bevel Edge

STOCK NO	DESCRIPTION	SIZE MM	RRP EXCL \$	RRP INCL \$
BMS01	Bevel Edge Mirror - Hangers	600 x 750	112.73	124.00
BMS13	Bevel Edge Mirror - Hangers	600 x 900	126.36	139.00
BMS03	Bevel Edge Mirror - Hangers	750 x 900	153.64	169.00
BMS04	Bevel Edge Mirror - Hangers	WSL 750 x 750	144.55	159.00
BMS14	Bevel Edge Mirror - Hangers	900 x 900	180.91	199.00
BMS15	Bevel Edge Mirror - Hangers	1200 x 800	199.09	219.00
BMS16	Bevel Edge Mirror - Hangers	1500 x 900	259.09	285.00



CONTRACTOR RANGE – 25mm Bevel Edge & 25mm Sandblasted Border

STOCK NO	DESCRIPTION	SIZE MM	RRP EXCL \$	RRP INCL \$
BREN01	Contractor Renee Series - Hangers	600 x 750	153.64	169.00
BREN03	Contractor Renee Series - Hangers	900 x 750	180.91	199.00
BREN15	Contractor Renee Series - Hangers	1200 x 750	203.64	224.00



FOR AUSTRALIAN MADE MIRRORS AND CUSTOM SIZES SEE PAGES 150 - 151



The **Contractor Float Glass** range of mirrors consist of a 4mm mirror which has a 20mm bevel and is attached to the 5mm toughened glass leaving a 100mm border of glass around the mirror. Available in clear, frosted or grey glass as shown. The mirrors are mounted to the wall with hangers mounted on the glass and can be hung horizontally or vertically.

CONTRACTOR RANGE - Float Glass Range

STOCK NO	DESCRIPTION	SIZE MM	RRP EXCL \$	RRP INCL \$
BCLFL03	Clear Float Glass	750 x 900	171.82	189.00
BDIGBY03	Frosted Float Glass	750 x 900	177.27	195.00
BGLFL03	Grey Float Glass	750 x 900	180.91	199.00



BCLFL03



BDIGBY03



BGLFL03



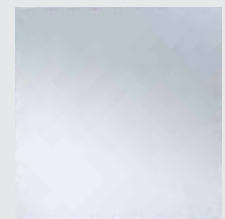
S03TSB



BEVEL EDGE



QUARTER CIRCLE



POLISHED EDGE

Let your imagination run wild with our **Mirror Tiles!**

Mirror Tiles are available with a polished or bevel edge. The standard sizes are 200mm square and 200mm quarter circle. Other sizes are available on request.

CONTRACTOR RANGE - Mirror Tiles

STOCK NO	DESCRIPTION	SIZE MM	RRP EXCL \$	RRP INCL \$
TSB20	Silver 10mm Bevel Edge	200 x 200	13.18	14.50
TQB20	Silver Quarter Circle Bevel Edge	200 Ø	13.18	14.50
TS20	Silver Polished Edge	200 x 200	11.82	13.00
TQ20	Silver Quarter Circle Polished Edge	200 Ø	12.64	13.90
S03TSB	3x Mirror Tiles on a Bevel Edge Mirror	900 x 750	444.55	489.00



Contractor Range - Round Series

STOCK NO	DESCRIPTION	SIZE MM	RRP EXCL \$	RRP INCL \$
BMRTYL50B	Round Mirror w/ 18mm Bevel - Hangers	500 ø	130.91	144.00
BMRTYL60B	Round Mirror w/ 18mm Bevel - Hangers	600 ø	153.64	169.00
BMRTYL70B	Round Mirror w/ 18mm Bevel - Hangers	700 ø	180.91	199.00
BMRTYL60	Round Mirror w/ Polished Edge - Hangers	600 ø	144.55	159.00



Contractor Range - Oval Series

STOCK NO	DESCRIPTION	SIZE MM	RRP EXCL \$	RRP INCL \$
BMO18B	Oval Mirror w/ 25mm Bevel - Hangers	600 x 800	126.36	139.00
BMO03B	Oval Mirror w/ 25mm Bevel - Hangers	750 x 900	144.55	159.00



The wave series mirror can be placed in sets of 2, 3 or 4 to create a stunning design feature!

Contractor Range - Wave Design

STOCK NO	DESCRIPTION	SIZE MM	RRP EXCL \$	RRP INCL \$
WV27	Wave Design Mirror	270 x 1520	90.00	99.00
WV27/4	Wave Design Mirror - Set of 4		326.36	359.00

Can be hung horizontal or vertical



Contractor Range - Bevel Edge Series (Carton buy of 5 only - No backing film and no hanger)

STOCK NO	DESCRIPTION	SIZE MM	RRP EXCL \$	RRP INCL \$
BMS03G	Bevel Edge - No Film or Hanger	900 x 750	453.64 /ctn 5	499.00 /ctn 5
BMS16G	Bevel Edge - No Film or Hanger	1500 x 900	817.27 /ctn 5	899.00 /ctn 5





Ablaze Signature Range Mirrors are manufactured from Australian made glass. The mirrors are sealed on the edges to reduce moisture ingress. All Signature Range Mirrors can be custom made to suit your sizing requirements. The mirrors in the Ablaze Signature Range are available with various fixing options such as screw-to-wall or glue-to-wall or batten fix.

ABLAZE SIGNATURE RANGE - SUSAN SERIES



The Susan Series features a 6mm silver mirror with a 25mm bevel edge.

Standard fixing method is glue-to-wall.

ABLAZE SIGNATURE RANGE - TYLER SERIES



The Tyler Series features a 6mm silver mirror with a polished edge.

Standard fixing method is glue-to-wall.

STOCK NO	SIZE MM	RRP EXCL \$	RRP INCL \$
S01	600 x 750	359.09	395.00
S08	600 x 900	426.36	469.00
S02	750 x 750	399.09	439.00
S03	900 x 750	435.45	479.00
S05	1200 x 750	535.45	589.00
S06	1500 x 750	580.91	639.00

STOCK NO	SIZE MM	RRP EXCL \$	RRP INCL \$
TYLS08	600 x 600	253.64	279.00
TYLS01	600 x 750	271.82	299.00
TYLS02	750 x 750	308.18	339.00
TYLS03	900 x 750	326.36	359.00
TYLS05	1200 x 750	380.91	419.00
TYLS06	1500 x 750	453.64	499.00



ABLAZE SIGNATURE RANGE - RENEE SERIES



The Renee Series features a 6mm silver mirror with a 25mm bevel edge and a 25mm sandblasted border.

Standard fixing method is glue-to-wall.



STOCK NO	SIZE MM	RRP EXCL \$	RRP INCL \$
REN01	600 x 750	544.55	599.00
REN03	900 x 750	635.45	699.00
REN05	1200 x 750	726.36	799.00
REN06	1500 x 750	817.27	899.00

ABLAZE SIGNATURE RANGE - CLEAR FLOAT SERIES



The Clear Float Series features a 4mm silver mirror with 20mm bevel edge mounted on a 6mm piece of glass with 10mm bevel creating a 100mm glass border.

Batten fix mounting option only. Standard mounting is landscape.

STOCK NO	SIZE MM	RRP EXCL \$	RRP INCL \$
CLFL04	750 x 750	599.09	659.00
CLFL05	900 x 900	753.64	829.00
CLFL06	1200 x 750	799.09	879.00
CLFL08	1500 x 750	944.55	1,039.00

ABLAZE SIGNATURE RANGE - ROUND TYLER SERIES



The Round Tyler Series features a 6mm silver mirror with a polished edge.

Standard fixing method is glue-to-wall.

STOCK NO	SIZE MM	RRP EXCL \$	RRP INCL \$
RTYL40	400mm ø	244.55	269.00
RTYL60	600mm ø	271.82	299.00
RTYL80	800mm ø	362.73	399.00
RTYL90	900mm ø	399.09	439.00

ABLAZE SIGNATURE RANGE - ROUND CLEAR FLOAT



The Clear Float Round Series features a 4mm polished edge silver mirror mounted on a 6mm polished edge piece of clear glass creating a 100mm glass border.

Batten fix mounting option only.

STOCK NO	SIZE MM	RRP EXCL \$	RRP INCL \$
RCLF60	600mm ø	453.64	499.00
RCLF75	750mm ø	544.55	599.00
RCLF10	1000mm ø	799.09	879.00



GC330



WR01



AFC01



5320

STOCK NO	DESCRIPTION	RRP EXCL \$	RRP INCL \$
GC330	CRL Glass Cleaner	17.27	19.00
WR01	Stain Remover 473ml	40.91	45.00
AFC01	Anti-fog Solution 115ml	31.82	35.00
5320	Mirror Adhesive 300ml	27.27	30.00



Contractor Back-lit Mirrors are designed to make back-lit mirrors an affordable option for every bathroom. These units are designed to be hard wired by an electrician and have the mirror and back-box as a complete unit, unlike the premium range that can be detached.

Mirror Care and Maintenance

For best results clean mirrors with methylated spirits and water at a rate of 30% methylated spirits and 70% water. **Do not** use Windex or similar chemical cleaning products.

Avoid getting water on the sides or back of the mirror as damage to silver backing can occur.

In coastal areas it is recommended to wipe around the edge of the mirror once a month to avoid salt build up that can cause silver creep.

Do not place on a hard surface after opening as the mirror will chip.

Contractor Back-lit Mirror Mounting Brackets



BW69C

WSL

BSM80C

- 600 x 900 x 35mm
- IR Sensor
- Metal Back-box
- 12V Transformer Included
- Vertical or Horizontal Mount
- White LED Light
- IP44 Protection Rating

- Ø800mm x 25mm Depth
- Touch Sensor
- Metal Back-box
- 12V Transformer Included
- 3x Spot Magnifier
- White LED light
- IP44 Protection Rating

This unique spider web design mirror will look stunning in any modern bathroom.

Functional and beautiful this round back-lit mirror incorporates a magnified make-up section.

Ablaze Contractor Back-lit Mirrors			
STOCK NO	SIZE MM (W X H X D)	RRP EXCL \$	RRP INCL \$
BW69C	600 x 900 x 35	435.45	479.00

Ablaze Contractor Back-lit Mirrors			
STOCK NO	SIZE MM (W X H X D)	RRP EXCL \$	RRP INCL \$
BSM80C	Ø800 x 25	390.00	429.00

See Pg.163 - 164 for line drawings



Ablaze Contractor Back-lit Mirrors will add that extra wow factor to your bathroom, whilst adding functionality by creating more light and ambience in your bathroom. Using a Back-lit mirror throws more light directly onto your face when using the mirror. As these are LED operated with very low energy use, you can leave them on as a night light in the bathroom!



LL97C

- 900 x 750 x 45mm
- IR Sensor for light
- Demister Included with On/Off switch
- Metal Back-box
- 12V Transformer Included
- Horizontal Mount Only
- White LED Light
- IP44 Protection Rating

This L-design Back-lit Mirror will add that wow factor to any bathroom, especially when it stays clear and fog free thanks to the built in mirror demister.

BSM97C

- 900 x 750 x 45mm
- IR Sensor
- Metal Back-box
- 12V Transformer Included
- 3x Spot Magnifier
- Horizontal Mount Only
- White LED Light
- IP44 Protection Rating

This stunning back-lit and magnified mirror will give any bathroom a sense of wealth.

BSL97C

- 900 x 750 x 45mm
- IR Sensor
- Metal Back-box
- 12V Transformer Included
- 10mm Bevel Edge
- Vertical or Horizontal Mount
- White LED Light
- IP44 Protection Rating

Add ambience and style to your bathroom with this minimalist design.

Ablaze Contractor Back-lit Mirrors				Ablaze Contractor Back-lit Mirrors				Ablaze Contractor Back-lit Mirrors			
STOCK NO	SIZE MM (W X H X D)	RRP EXCL \$	RRP INCL \$	STOCK NO	SIZE MM (W X H X D)	RRP EXCL \$	RRP INCL \$	STOCK NO	SIZE MM (W X H X D)	RRP EXCL \$	RRP INCL \$
LL97C	900 x 750 x 45	635.45	699.00	BSM97C	900 x 750 x 45	480.91	529.00	BSL97C	900 x 750 x 45	380.91	419.00

See Pg.163 - 164 for line drawings



The contemporary **Art Deco Range** mirrors are made of 4mm silver mirror, backed with black 9mm MDF for added strength. This range is only available in the sizes shown and cannot be custom made or used with Thermomirror Demisters. All models in the Art Deco Range (except Sylvia) can be hung either portrait or landscape.



Facted Border Mirror - RR78 - 780mm x 1100mm
RRP EXCL \$753.64 RRP INCL \$829.00



Modesty - ADMB108 - 800mm x 1000mm
RRP EXCL \$526.36 RRP INCL \$579.00



Indiana - ADRS97 - 700mm x 900mm
RRP EXCL \$362.73 RRP INCL \$399.00



Gypsy - ADRR107 - 700mm x 1000mm
RRP EXCL \$444.55 RRP INCL \$489.00



thermogroup.ablaze mirrors
1
 YEAR
 warranty

ablaze
 MIRRORS



Sylvia - ADIF97 - 670mm x 1070mm
 RRP EXCL \$453.64 RRP INCL \$499.00



Cienna - ADRF101 - 1000mm ø
 RRP EXCL \$571.82 RRP INCL \$629.00



Celeste - AD0F95 - 500mm x 910mm
 RRP EXCL \$335.45 RRP INCL \$369.00



Teresa - ADCP906 - 650mm x 900mm
 RRP EXCL \$244.55 RRP INCL \$269.00



Hayley - ADCR101 - 1000 mm ø
 RRP EXCL \$453.64 RRP INCL \$499.00



Destiny - ADPB97 - 930mm x 690mm
 RRP EXCL \$444.55 RRP INCL \$489.00



Sonia Black - ADSB129B - 900mm x 1200mm
 RRP EXCL \$508.18 RRP INCL \$559.00



Pompei - ADCRB759 - 600mm x 900mm
 RRP EXCL \$271.82 RRP INCL \$299.00



Iris - ADCBL972 - 900mm x 750mm
 RRP EXCL \$353.64 RRP INCL \$389.00



Mirror Cabinets are the solution when space is at a premium in your bathroom. Mirror cabinets provide a discreet storage area behind your mirror. In many cases the cabinets can be recessed into the walls thus utilising the cavity space. No custom sizes available.



ABLSC506 Pictured



Bevel Edge



Pencil Edge

ABLAZE MIRROR CABINETS - Gloss White Mirror Cabinets with Pencil or Bevel Edge Australian Made Mirrors

STOCK NO	DESCRIPTION	SIZE (W X H X D) MM	NO. DOORS	RRP EXCL \$	RRP INCL \$
ASC90B	WSL Bevel Edge Mirror Cabinet	900 x 800 x 130	3	635.45	699.00
ASC90P	WSL Pencil Edge Mirror Cabinet	900 x 800 x 130	3	635.45	699.00
ASC120B	WSL Bevel Edge Mirror Cabinet	1200 x 800 x 130	3	863.64	950.00
ASC120P	WSL Pencil Edge Mirror Cabinet	1200 x 800 x 130	3	863.64	950.00



See Pg.167 for line drawings



ABLAZE CONTRACTOR MIRROR CABINETS - Pencil Edge & Bevel Edge

STOCK NO	DESCRIPTION	SIZE (W X H X D) MM	NO. DOORS	RRP EXCL \$	RRP INCL \$
BSC60	Bevel Edge Mirror Cabinet	600 x 620 x 160	1	171.82	189.00
BSC75	Pencil Edge Mirror Cabinet	750 x 620 x 160	2	235.45	259.00
BSC90	Pencil Edge Mirror Cabinet	900 x 620 x 160	2	244.55	269.00
BSC90B	Bevel Edge Mirror Cabinet	900 x 750 x 160	2	271.82	299.00
BSC120B WSL	Bevel Edge Mirror Cabinet	1200 x 750 x 160	3	490.00	539.00

Can be recessed into wall



ASCR



ABLSC506

ABLAZE ROUND MIRROR CABINET

STOCK NO	DESCRIPTION	SIZE (W X H X D) MM	NO. DOORS	RRP EXCL \$	RRP INCL \$
ASCR	Round Mirror Cabinet	400 x 400 x 150	1	408.18	449.00

Door size 600mm Ø

ABLAZE BACK-LIT MIRROR CABINET

STOCK NO	DESCRIPTION	SIZE (W X H X D) MM	NO. DOORS	RRP EXCL \$	RRP INCL \$
ABLSC506 WSL	Back-lit Mirror Cabinet	500 x 630 x 165	1	817.27	899.00

Can be recessed into wall.

ABLAZE MIRROR CABINET WITH HALOGEN DOWN LIGHT

STOCK NO	DESCRIPTION	SIZE (W X H X D) MM	NO. DOORS	RRP EXCL \$	RRP INCL \$
ASCL475 WSL	Shaving Cabinet	400 x 750 x 250	1	318.18	350.00



ASCL475

See Pg.168 -169 for line drawings





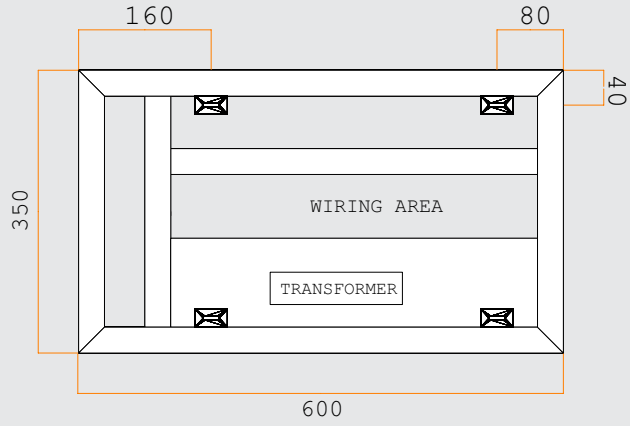
LINE DRAWINGS

Premium Back-lit Range
Contractor Back-lit Range
Magnifying Mirror Range
Mirror Cabinet Range

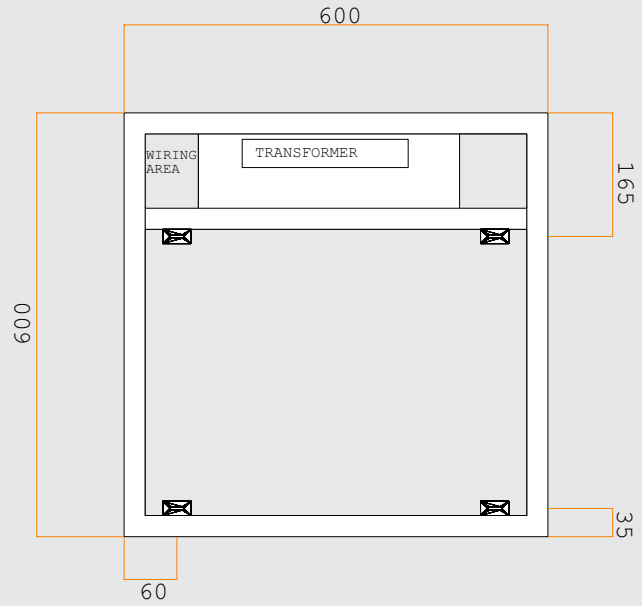
DIMENSIONS ARE NOMINAL MEASUREMENTS ONLY. ALL DIMENSIONS ARE CORRECT AT TIME OF PRINTING BUT ARE SUBJECT TO CHANGE AS PRODUCT IMPROVEMENTS ARE MADE. WE DO NOT RECOMMEND DRILLING OF TILES UNTIL DIMENSIONS HAVE BEEN CHECKED ON SITE. THERMOGROUP TAKES NO RESPONSIBILITY FOR INCORRECTLY DRILLED HOLES. UPDATED DIMENSIONS CAN BE FOUND AT WWW.THERMOGROUP.COM.AU.



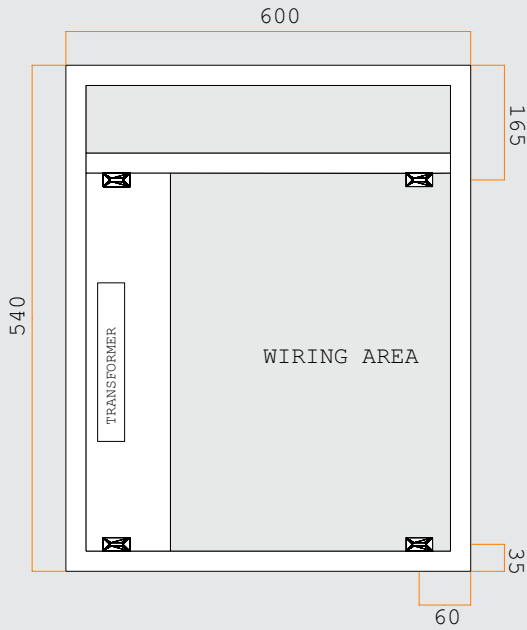
S500C PAGE 137



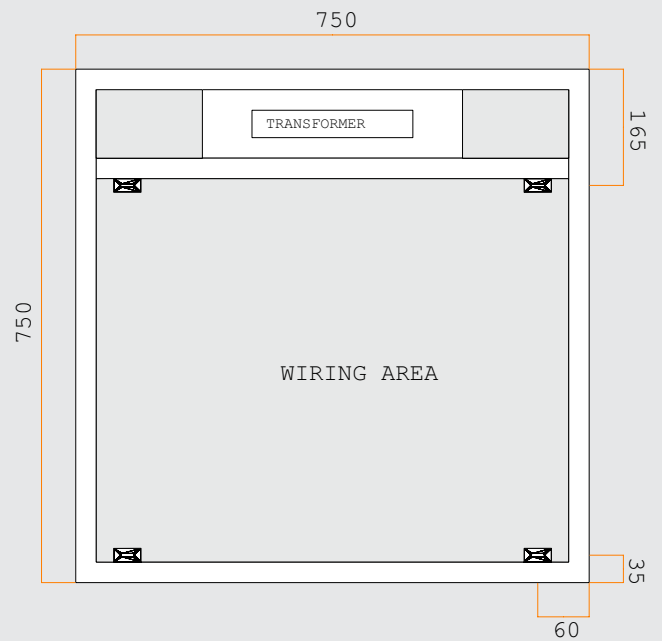
S750C PAGE 137



S759C PAGE 137

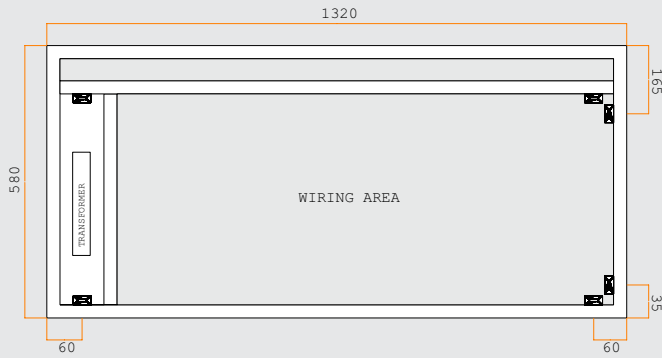


S900C PAGE 137

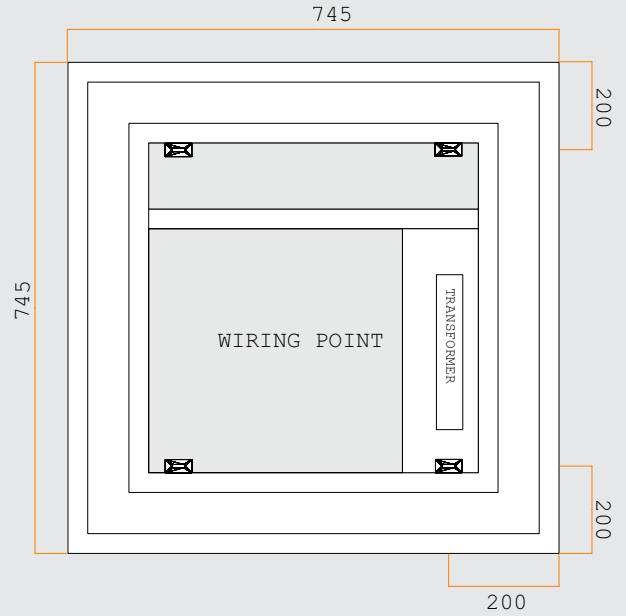




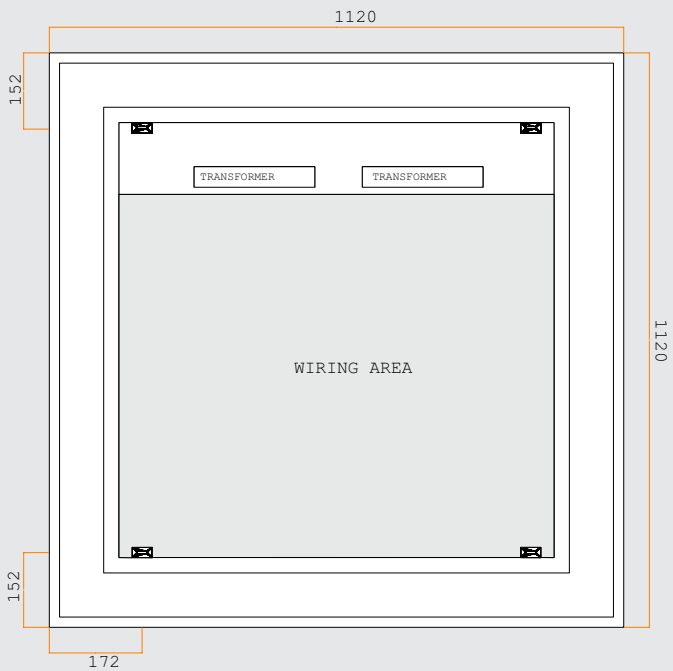
S1500C PAGE 137



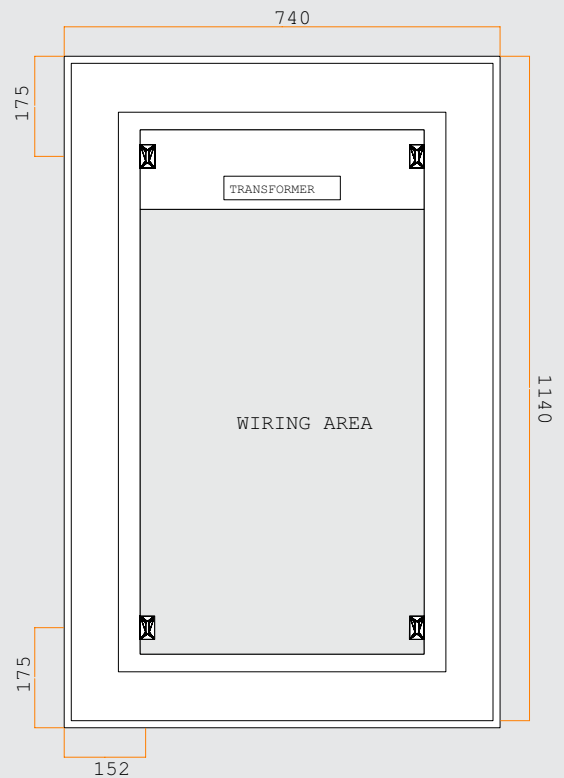
SQ762C/W PAGE 137



SQ1143C PAGE 137

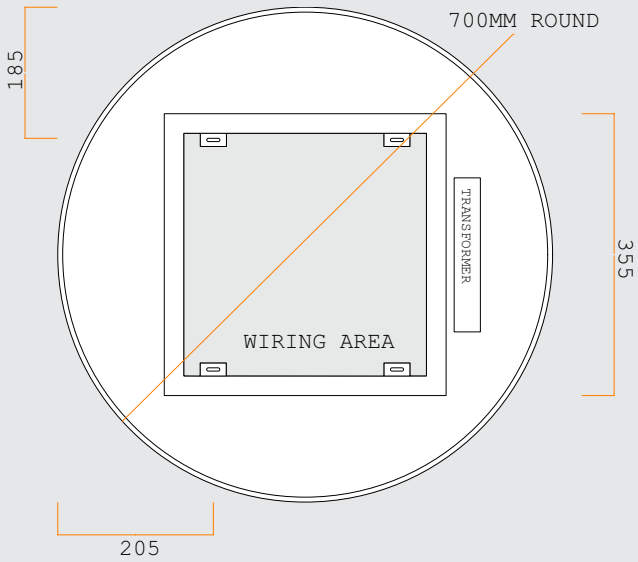


SR1118C PAGE 137

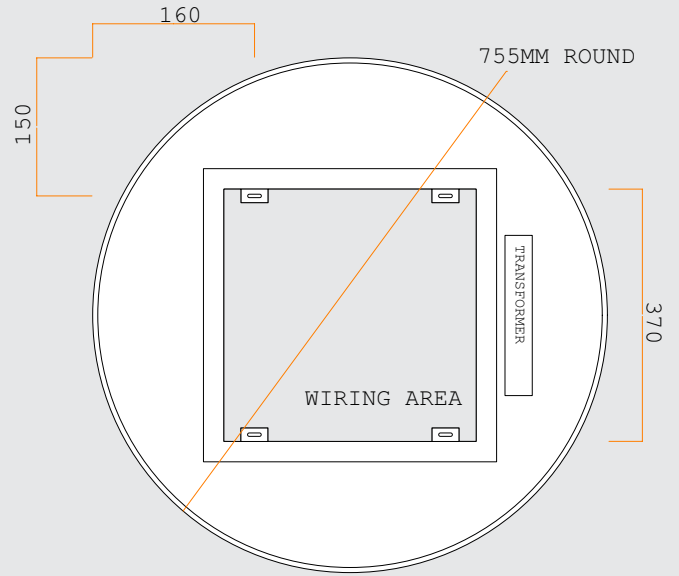




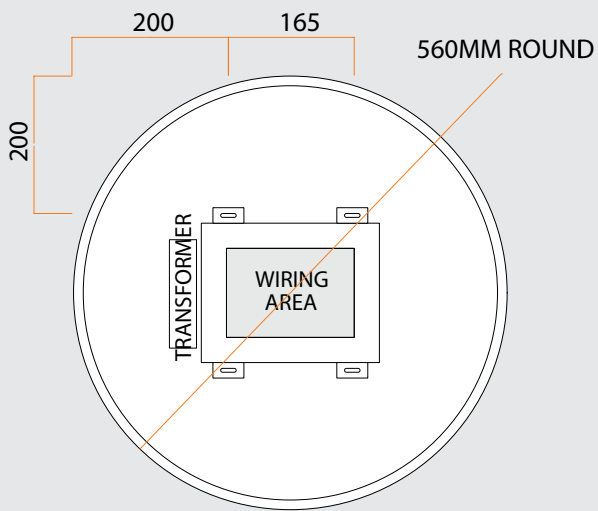
R610W PAGE 138



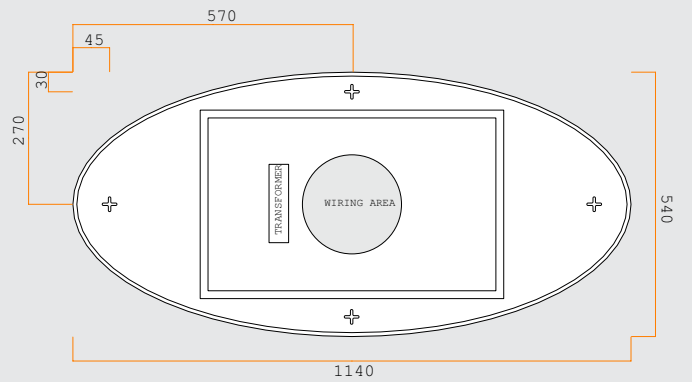
R610C PAGE 138



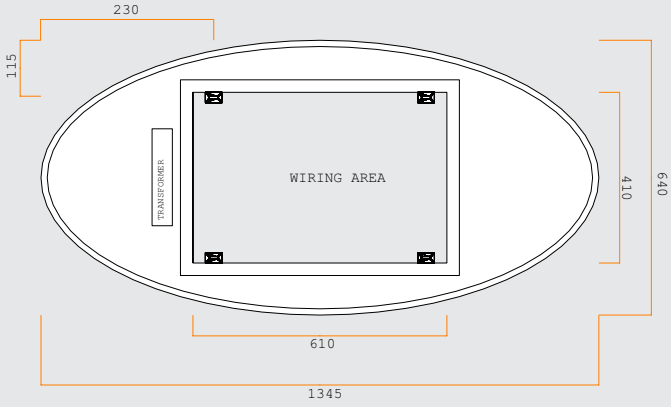
RB610W/C PAGE 138



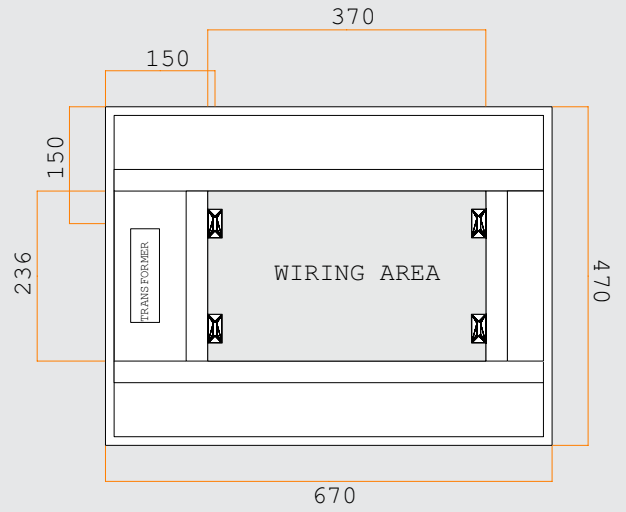
R0137W PAGE 138



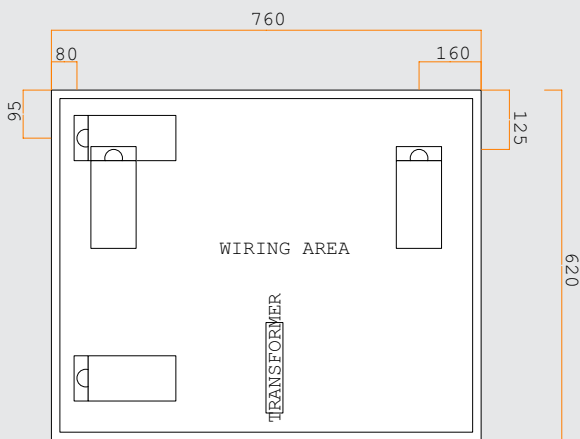
R0158W PAGE 138



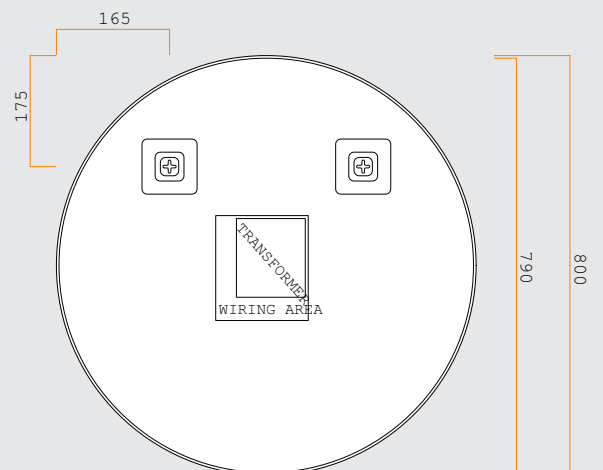
BL508C PAGE 139



BBL68 PAGE 139

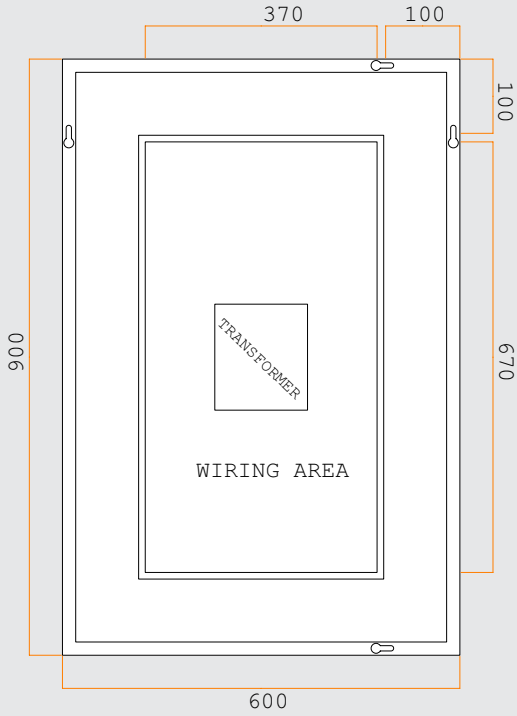


BSM80C PAGE 152

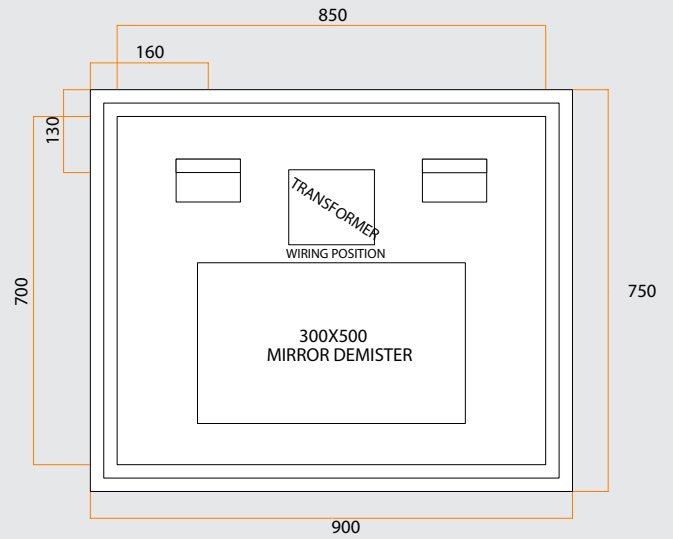




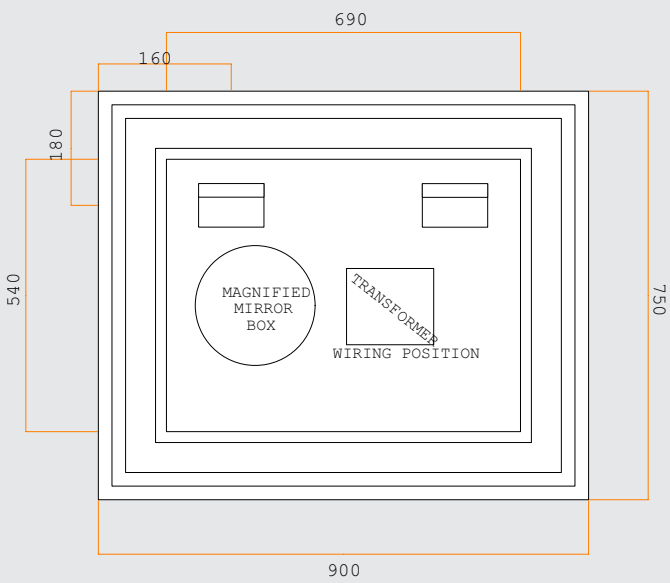
BW69C PAGE 152



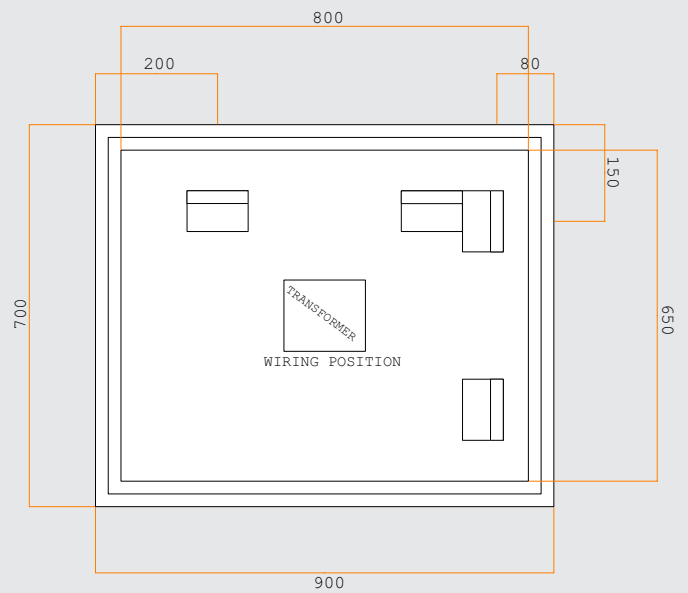
LL97C PAGE 153



BSM97C PAGE 153



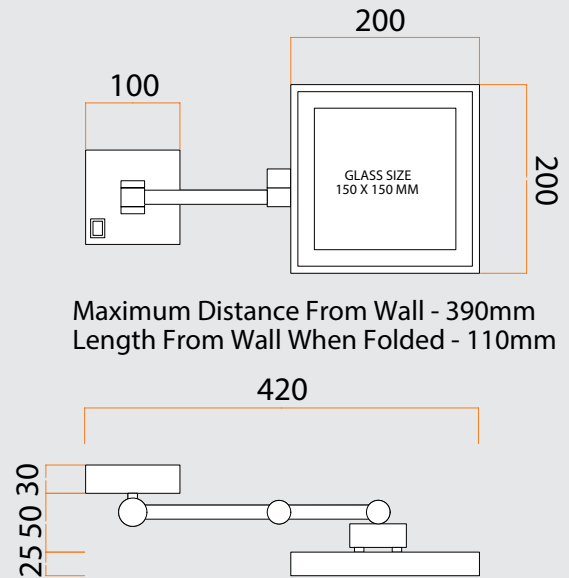
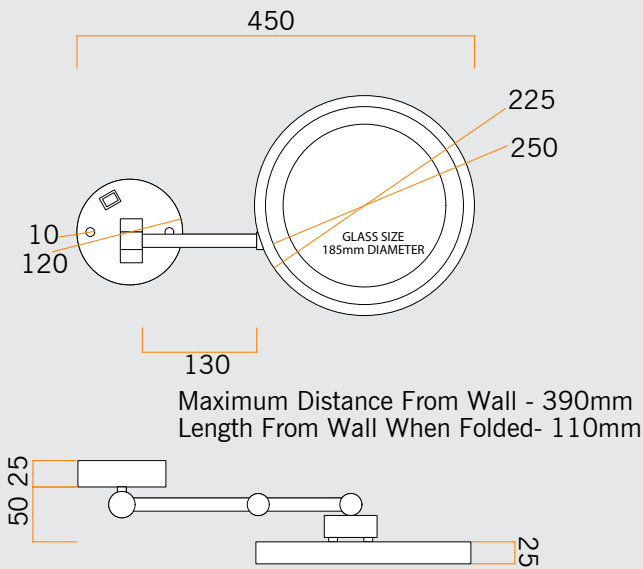
BSL97C PAGE 153





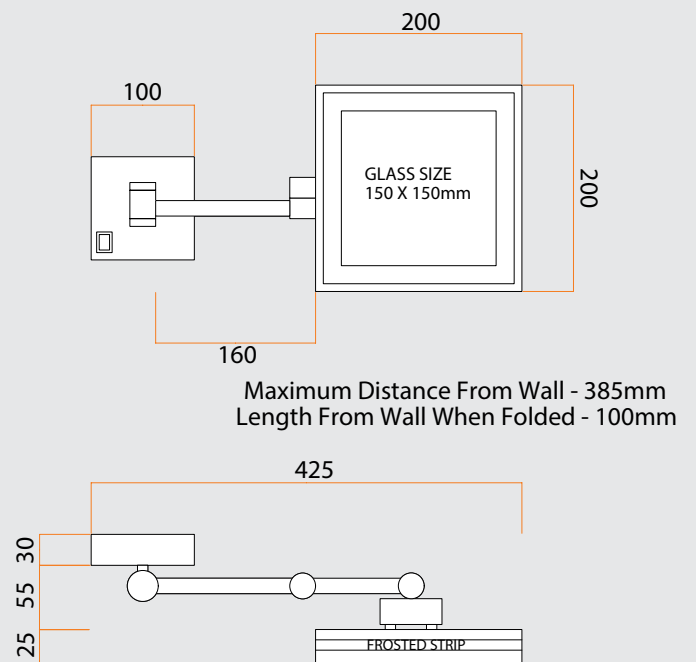
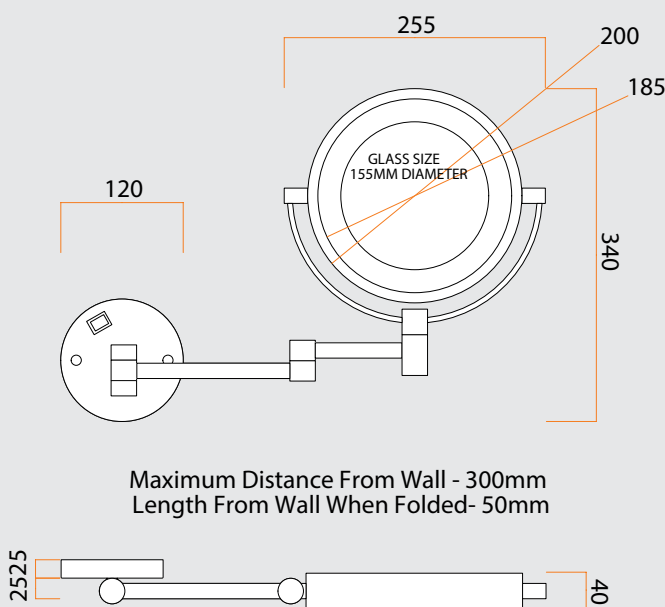
L252CSMC/E, L253CSMC/E, L255CSMC/E,
L252GSMC/E, L252CSMCB PAGE 140 - 141

LS205CSMC/E, LS205GSMC/E, LS205CSMCB
PAGE 140 - 141



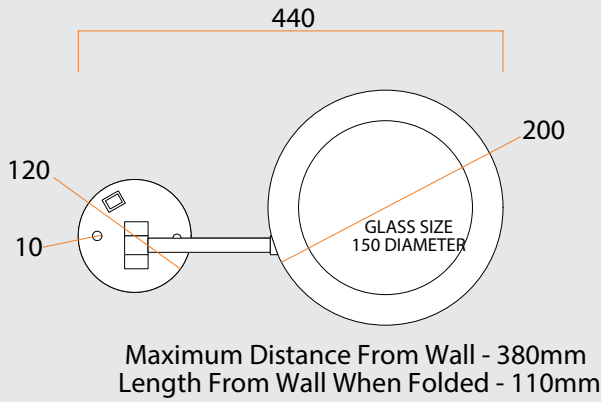
L258CSMC/E, L155CSMC/E PAGE 141

LS253CSMA PAGE 141

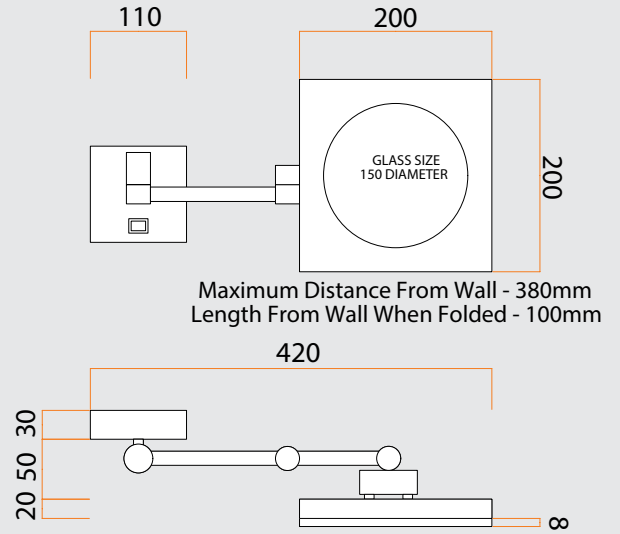




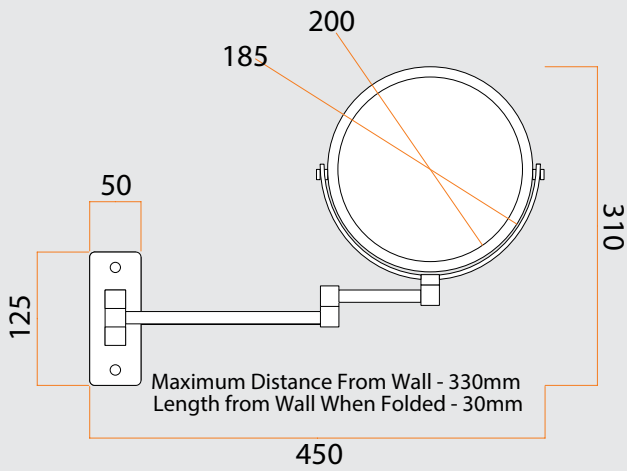
LR257CSM PAGE 141



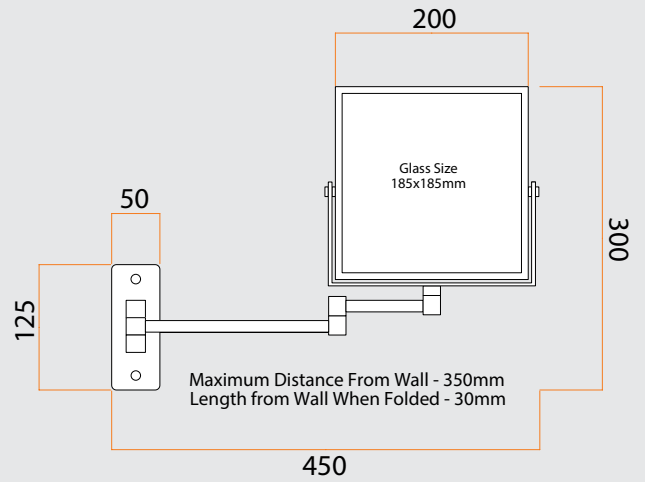
LR253CSM PAGE 141



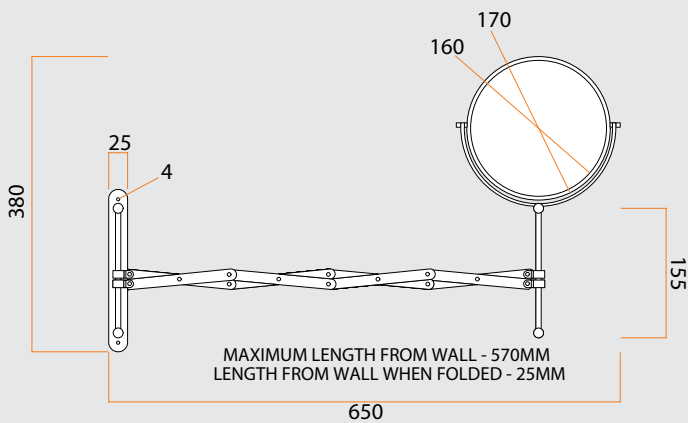
R16SM, R18SM, R10SM, R16SMB, R205GSM
PAGE 142 - 143



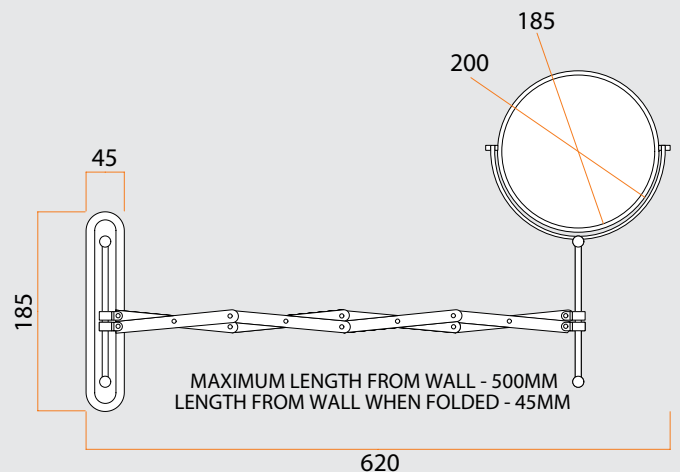
S15SM, S15SMB PAGE 142 - 143



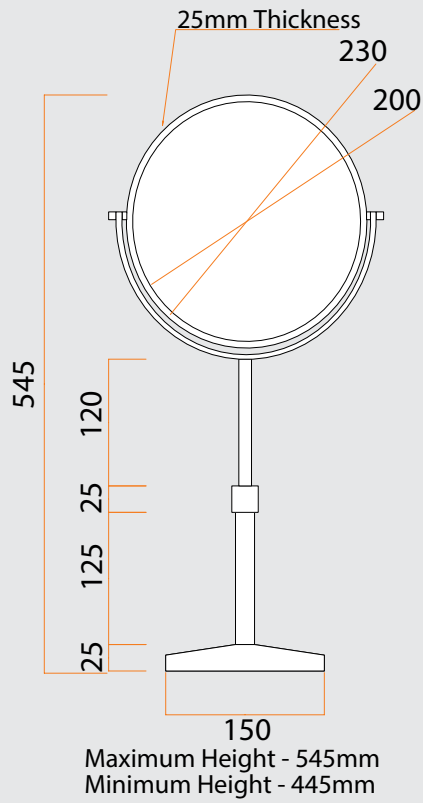
CR465SM PAGE 143



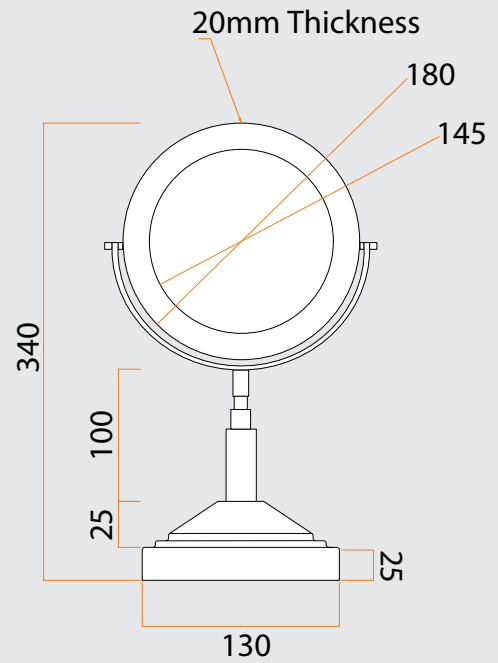
R46SM, RS204GSM PAGE 143



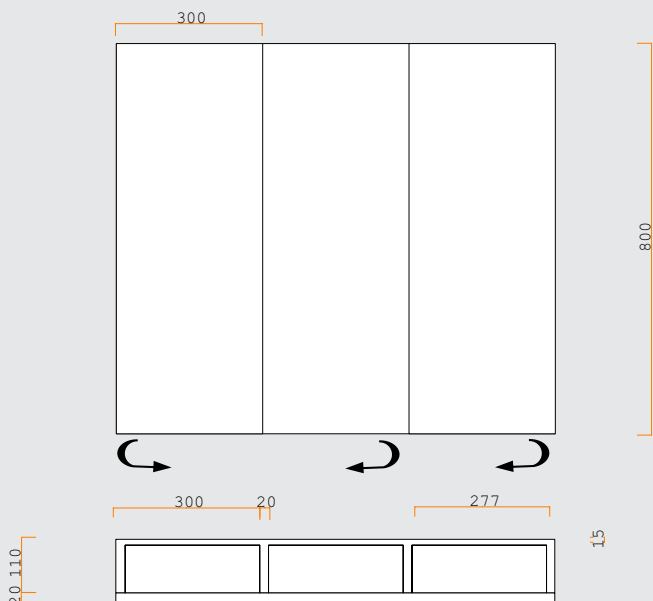
V205CSM PAGE 143



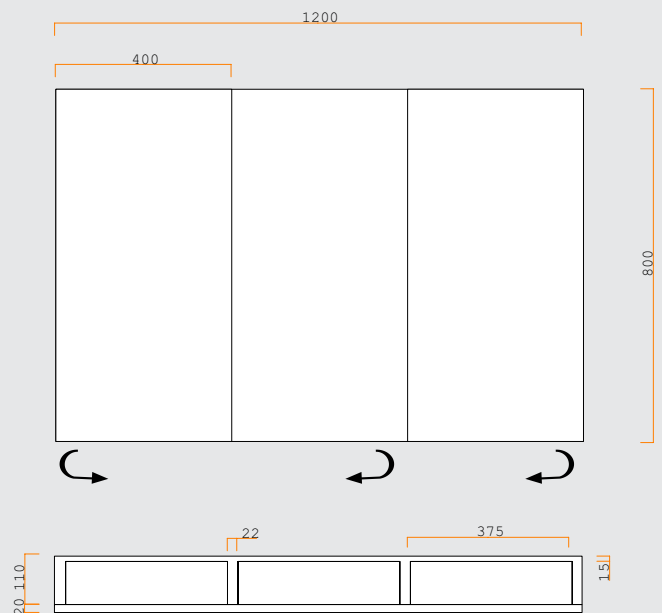
C185SM PAGE 143



ASC90B/P PAGE 156

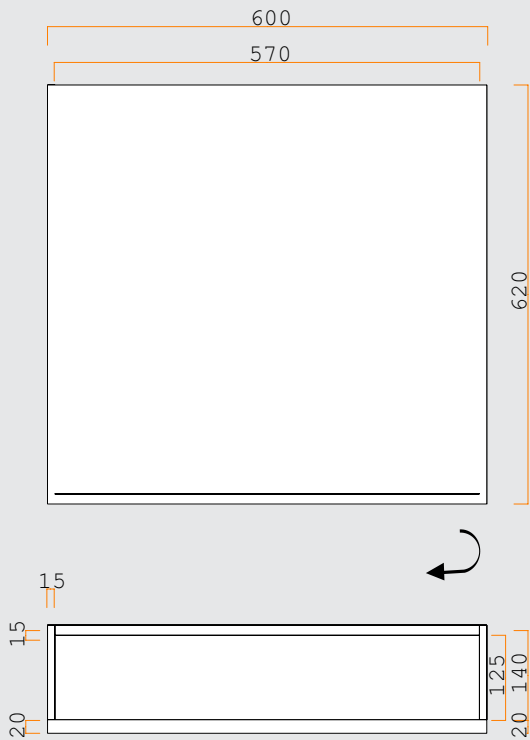


ASC120B/P PAGE 156

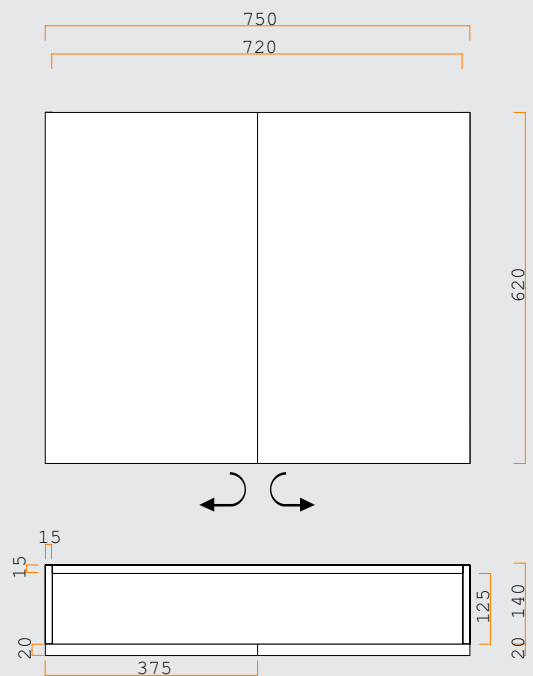




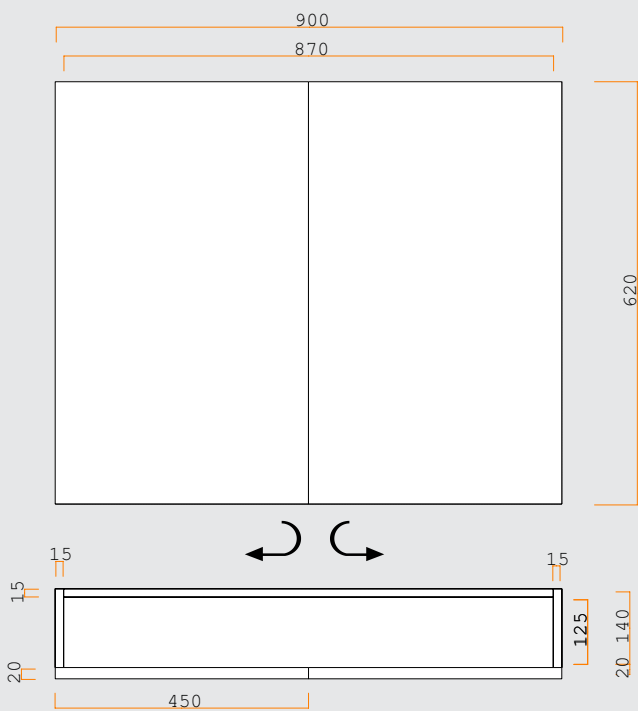
BSC60 PAGE 157



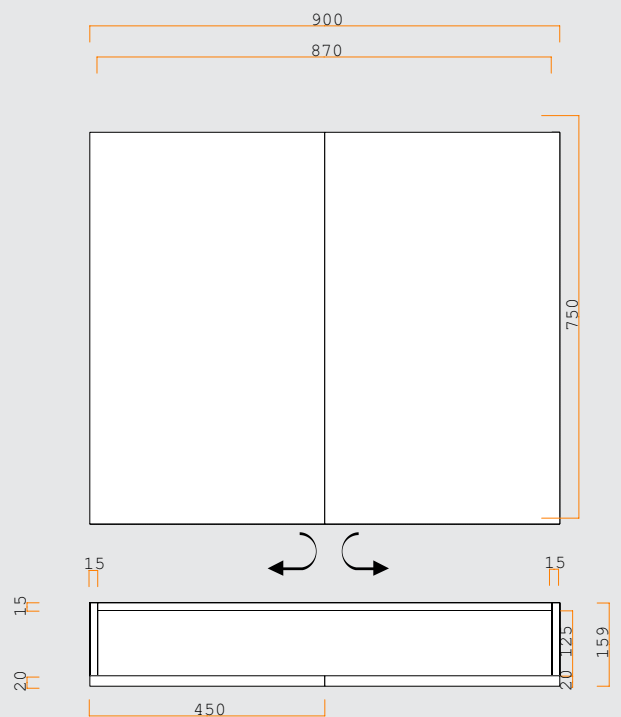
BSC75 PAGE 157



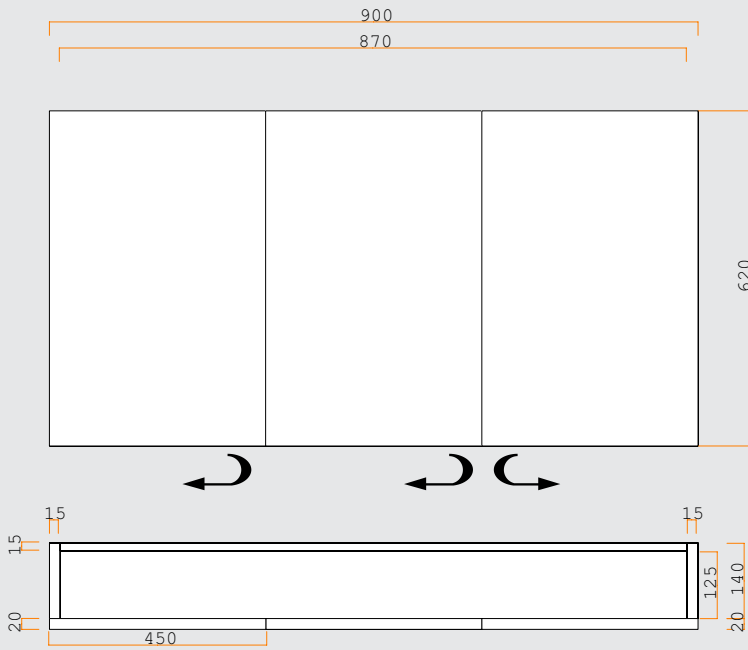
BSC90 PAGE 157



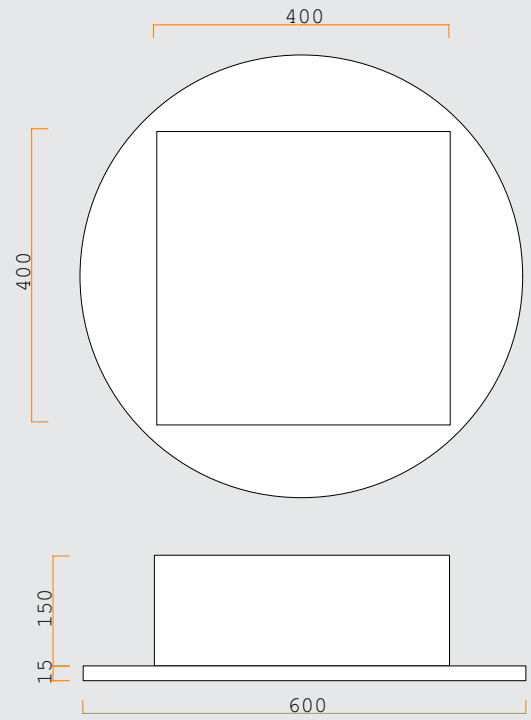
BSC90B PAGE 157



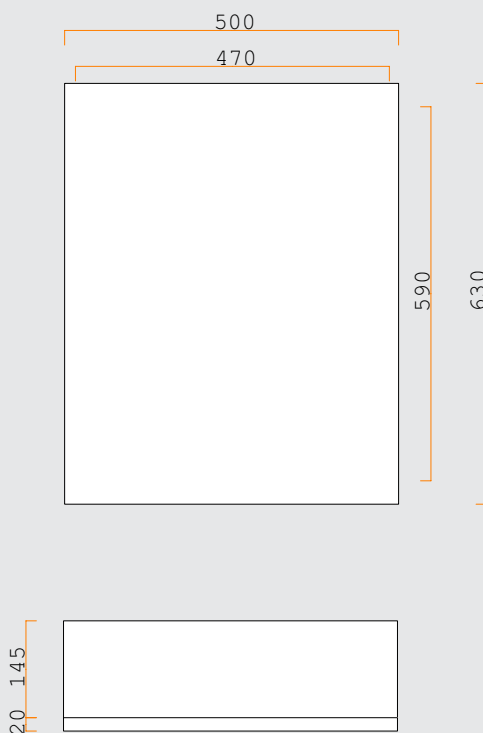
BSC120B PAGE 157



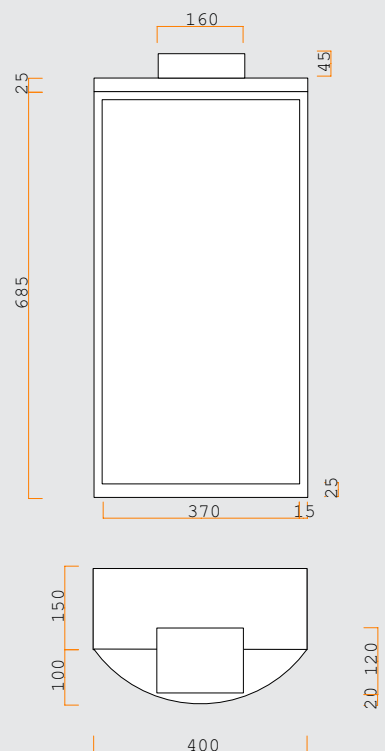
ASCR PAGE 157



ABLSC506 PAGE 157



ASCL475 PAGE 157



The problem...

Comfort and safety in an offshore environment

Thermogroup were set the challenge to come up with a heating solution for the galley kitchen and staff areas on one of the largest north sea oil rigs.

Whilst safety is paramount in this hostile environment, other key considerations such as crew comfort and power consumption played a major part.

The system had to be laid on a fireproof aluminium deck, under a resin floor and provide enough heat to dry floors quickly reducing slip risk, and provide increased comfort.



Minimise the risk of slippery wet floors in an extreme environment

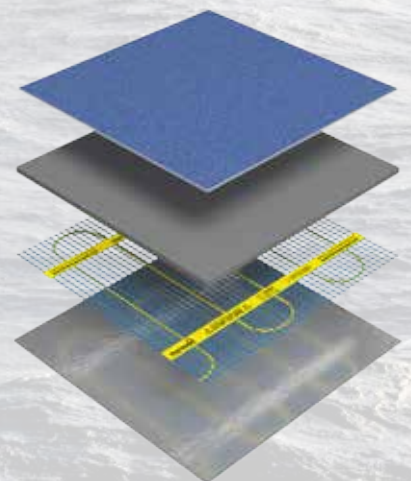


The solution...

Thermonet EZ 150W/m² electric underfloor heating

Thermogroup supplied Thermonet EZ 150W/m² for installation by specialist flooring contractors.

Our unique TwistedTwin cable construction, with Lifetime Warranty, provides a trouble free solution.



Trust Thermogroup for your heating solutions



Unrivalled project support

Thermogroup's dedicated projects team are devoted to provide the best specification and after sales support to contract customers.

Site visits and expert guidance

Our team of experts are on hand to attend site to help you overcome design challenges in today's demanding construction projects.



CPD seminar sessions

Contact us today to book a CPD seminar at your practice to make sure your team are up to date with the latest innovations in the underfloor heating industry.

Call 1300 368 631 to book yours today.

On time in full project dispatch

Our project customers can choose from a variety of delivery options including direct to site, staged delivery in line with the building schedule or bulk delivery to a storage location if required. Thermogroup are a manufacturer so can be very flexible with bespoke solutions.

Underfloor Heating



Controls & Accessories



Insulation & Adhesives



Space Heating



Heated Towel Rails



Ablaze Mirrors



Thermogroupau



GOOD HEATING PRODUCTS



To view Thermogroup website scan here