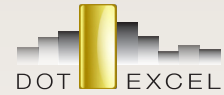


DOT 9700XL LED EXCEL SERIES



CREE CXB

CRI Value: ≤ 92
R_g Value: ≤ 63
MacAdam: 2



MODELS (Reflector Options)

Narrow Beam – 39° Beam Angle



/4

Wide Beam – 60° Beam Angle



/8

OPTION

Narrow Beam Dust Proof Optical Assembly (Factory Fitted)

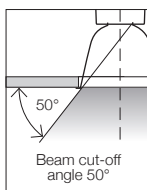


IP6X above ceiling, IP65 below ceiling
/4-IP

Wide Beam Dust Proof Optical Assembly (Factory Fitted)



IP6X above ceiling, IP65 below ceiling
/8-IP



White Ceiling Plate XL930/01 fitted to downlight as standard.

Total Energy Consumption P_L(W) – Refer LED Performance Guide

Weights	Luminaire Body	1000 gms
	Remote Driver	190 gms
IEC 60598.1.2		Complies
AS/NZS60598.1.2		Complies
Cyanosis (Australia only)		4000k option approved
IP Rating		Refer Accessory

Dimming Options Available

- Analogue dimming 1-10 volt, 350mA to 1050mA	AD
- DALI / switchDIM / DSI dimming, 250mA to 1400mA	DALI
- Phase cutting (chopping) dimming, 350mA to 700mA	PHD

ORDERING CODE FORMAT

Example: DOT	97	3	8	XL	/IP6X	/40	/DALI	/XL930
Model Series Number (97)	↑	↑	↑	↑	↑	↑	↑	↑
Driver Code (see table below*)		↑	↑	↑	↑	↑	↑	↑
Beam Angle (4-Narrow or 8-Wide)			↑	↑	↑	↑	↑	↑
Series Code (XL: Excel)				↑	↑	↑	↑	↑
IP6X Option (if required: 4-Narrow or 8-Wide)					↑	↑	↑	↑
LED engine colour (/30-930 or /40-940)						↑	↑	↑
Dimming option if required (/AD, /DALI or /PHD)							↑	↑
Accessory Code								↑

LED GUIDE – DOT 9700XL EXCEL SERIES (Wide Beam Option)

DOT Model No. /30 : 3000k /40 : 4000k	Driver Ordering Code	Driver current (mA)	CRI (Ra)	Wattage (W)	Lumens generated by LED engine B	Luminaire Output Lumens C	Luminaire efficacy (lm/W output)	Lifetime – LED engine (Hours @ L90)
DOT 9728XL/30 A	2	250mA	92	10.1	1150	832	82.4	70,000
DOT 9728XL/40	2	250mA	92	10.1	1300	957	94.7	70,000
DOT 9738XL/30 A	3	350mA	92	13.8	1500	1120	81.2	70,000
DOT 9738XL/40	3	350mA	92	13.8	1700	1286	93.4	70,000
DOT 9758XL/30 A	5	500mA	92	19.2	2100	1650	85.9	65,000
DOT 9758XL/40	5	500mA	92	19.2	2400	1891	98.6	65,000
DOT 9778XL/30 A	7	700mA	92	27.1	2900	2180	80.4	60,000
DOT 9778XL/40	7	700mA	92	27.1	3300	2509	92.5	60,000
DOT 9798XL/30 A	9	900mA	92	34.9	3400	2780	79.6	55,000
DOT 9798XL/40	9	900mA	92	34.9	3900	3193	91.5	55,000
DOT 97108XL/30 A	10	1050mA	92	40.3	3900	3160	78.4	50,000
DOT 97108XL/40	10	1050mA	92	40.3	4400	3635	90.2	50,000
DOT 97148XL/30 A	14	1400mA	92	55.1	5300	3990	72.4	40,000
DOT 97148XL/40	14	1400mA	92	55.1	6000	4587	83.3	40,000

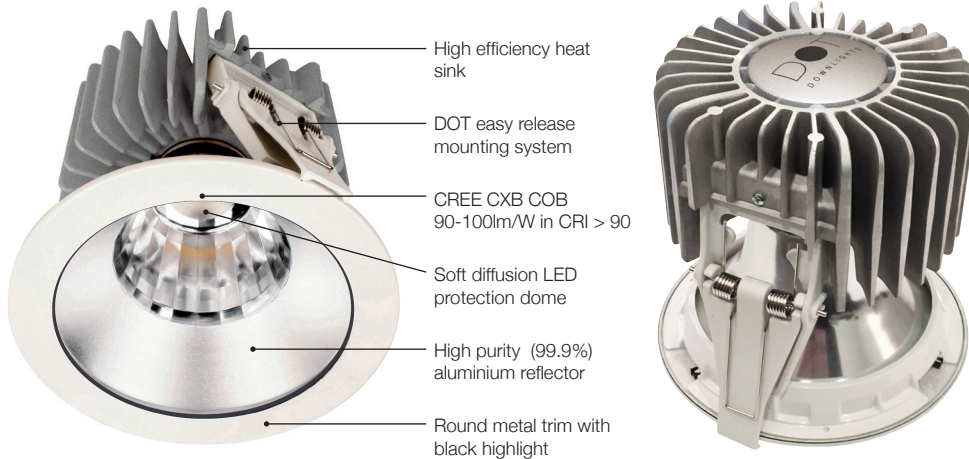
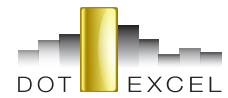
A Figures extrapolated / interpolated from data at other currents.

B Lumens generated : LED Engine lumens before downlight losses incurred.

C Output Lumens : Delivered lumen output from downlight, including thermal, electrical and optic losses.
– Narrow beam option may vary $\pm 2\%$.



DOT 9700XL LED EXCEL SERIES



- High efficiency heat sink
- DOT easy release mounting system
- CREE CXB COB 90-100lm/W in CRI > 90
- Soft diffusion LED protection dome
- High purity (99.9%) aluminium reflector
- Round metal trim with black highlight

AXLOCK ACCESSORIES Fitted to downlight after installation. Accessory trims available White /01 or Silver /55.

<p>Round Ceiling Plate w/highlight IP20</p> <p>XL930</p>	<p>Round Ceiling Plate IP20</p> <p>A930</p>	<p>Round Flush Glass IP54</p> <p>A937-FG</p>	<p>Round Dropped Glass IP20</p> <p>A937-DG</p>
<p>Round Clear Lens w/highlight IP54</p> <p>XL931-CL</p>	<p>Square Ceiling Plate IP20</p> <p>A938</p>	<p>Square Flush Glass IP54</p> <p>A935-FG</p>	
<p>Round Clear Lens IP54</p> <p>A931-CL</p>	<p>Round Soft Diffusion Lens IP54</p> <p>A931-DL</p>	<p>Round Washlight Lens IP54</p> <p>A933</p>	
<p>Square Clear Lens IP54</p> <p>A932-CL</p>	<p>Square Soft Diffusion Lens IP54</p> <p>A932-DL</p>	<p>Square Washlight Lens IP54</p> <p>A934</p>	

SECURED ACCESS ACCESSORIES Fitted to downlight before installation. Accessory trims available White /01 or Silver /55.

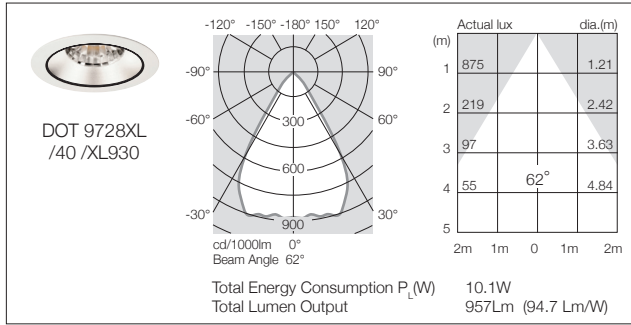
<p>Round Clear Lens IP54</p> <p>A931-CL/SA</p>	<p>Round Soft Diffusion Lens IP54</p> <p>A931-DL/SA</p>	<p>Round Washlight Lens IP54</p> <p>A933/SA</p>	<p>VANDAL PROOF ACCESSORY Fitted to downlight before installation.</p> <p>Vandal Proof Secured Access IK 10</p> <p>A80</p> <p>TORX tamperproof fasteners</p>
<p>Square Clear Lens IP54</p> <p>A932-CL/SA</p>	<p>Square Soft Diffusion Lens IP54</p> <p>A932-DL/SA</p>	<p>Square Washlight Lens IP54</p> <p>A934/SA</p>	

PROJECT SPECIFIC OPTIONS – Factory fitted

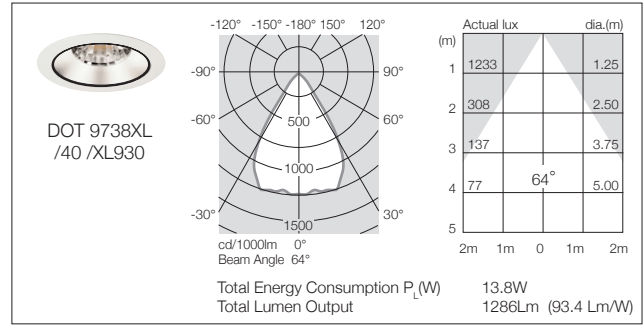
<p>Round Adaption Plate IP20 140mm ID / 210mm OD For maximum: – 200mm dia. hole A9200 RAP</p>	<p>Semi Recessed Ring 25mm ring reduces overall installation height to 121mm. A9725</p>
<p>Seismic Restraint Optional on all downlight models. Ordering Code: /SR (required length) eg. /SR 400mm</p>	<p>Twin Mounting Plate A9705</p>



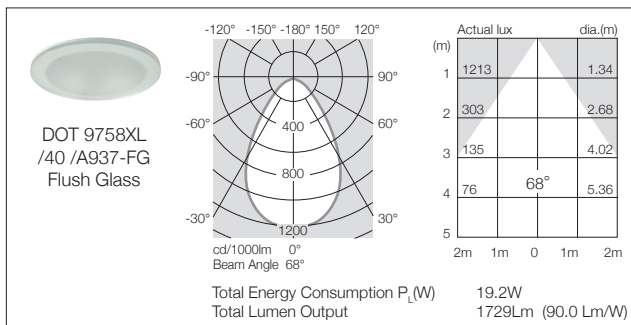
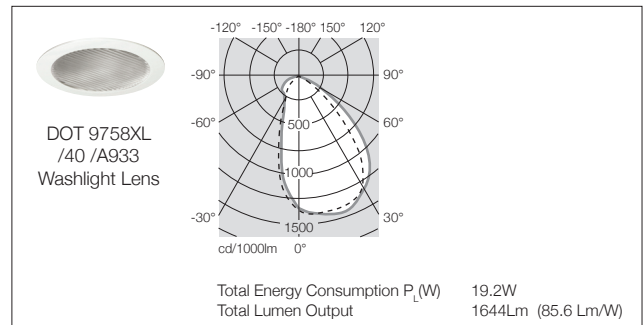
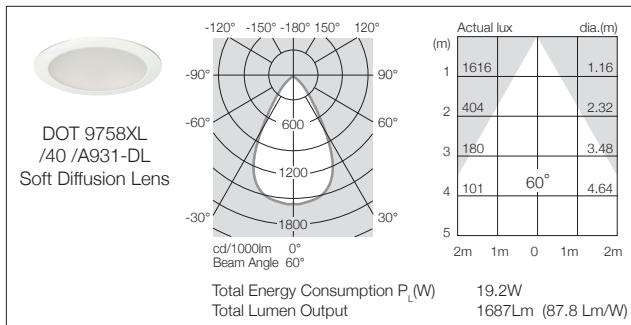
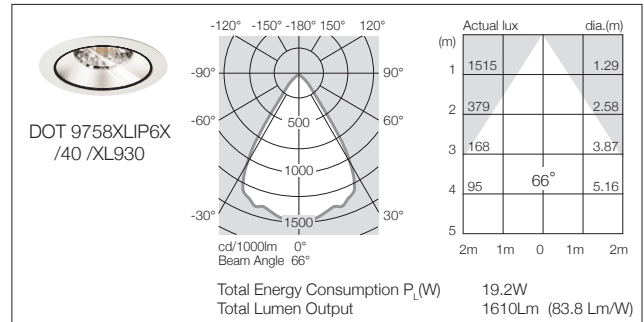
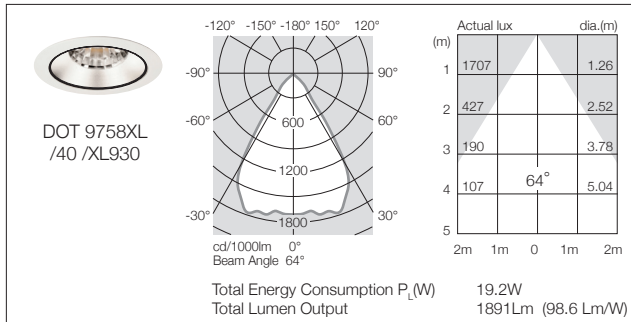
250 mA
CREE CXA
LED



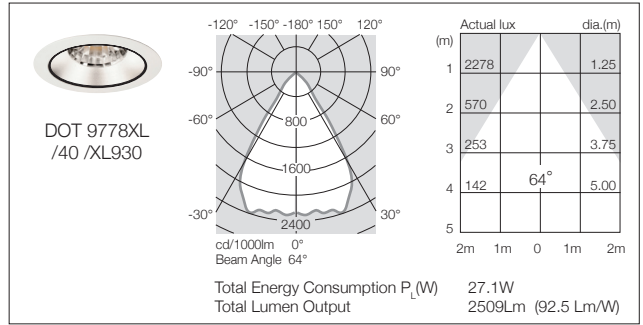
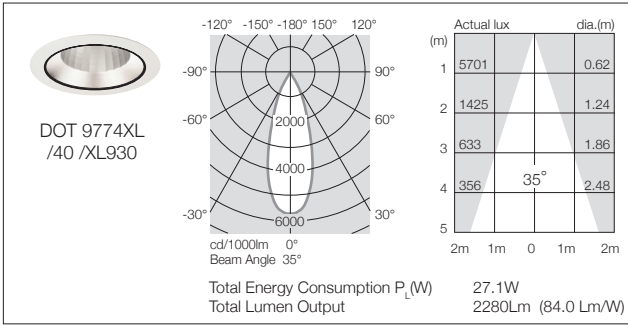
350 mA
CREE CXA
LED



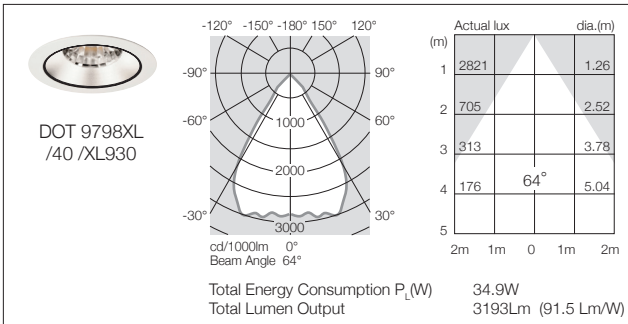
500 mA
CREE CXA
LED



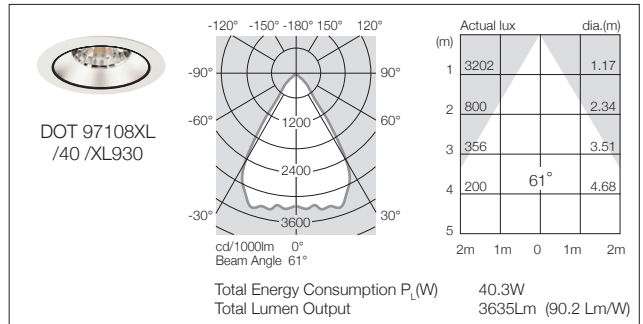
700 mA
CREE CXA
LED



900 mA
CREE CXA
LED



1050 mA
CREE CXA
LED



1400 mA
CREE CXA
LED

