

 **GEBERIT**

Geberit Monolith WC Module

Effortlessly combining elegance
and functionality





A design solution that adapts easily to existing drains.

Geberit Monolith WC Module is an elegant sanitary module for WCs with an integrated cistern that can be quickly installed using existing connections and drains. Combining simple, sophisticated design with high quality materials, Geberit Monolith WC Module creates a harmonious interaction between bathroom and ceramic pan. Easily installed and maintained without the need for structural alterations, Geberit Monolith WC Module provides a stylish addition to your bathroom sanctuary.

Scope of supply

Frame, Cistern tank, mounting hardware, Front/Side cladding (Glass & Aluminum or Plastic), Complete water connection set 1/2" & 3/8", Complete waste water connection set, 2 kee seals and mounting instructions.



iF Product Design Award

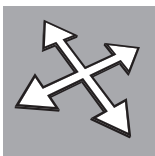
The iF product design award has been a seal of quality for outstanding industrial design since 1953. Awarded by international experts the iF logo stands for outstanding, tried-and-tested design quality.

Advantages at a glance



Plug & Play

Geberit Monolith WC Module can be connected to existing drains and water supply connections without the need for structural modifications in most bathrooms. No chiselling, no tiling, no rubble. Installation of the entire system is completed in a single operation and requires no assistance from other tradesmen. This means the toilet is ready for use again after a matter of hours.



Flexibility

Geberit Monolith WC Module fits into any construction situation. It is modular in design and easily compensates for building tolerances. The same flexibility applies to the drain: Geberit Monolith WC Module is quickly and easily connected to the floor waste inlet.



Top quality

The sanitary module is made of premium material including safety glass and aluminium. The technical components are finished to the superior standards you expect of Geberit.



Low maintenance

Valves are directly accessible for easy maintenance. All components match Geberit's own high quality standards and availability of spare parts is guaranteed for years to come.



Versatility

Geberit Monolith WC Module can be combined with many types of ceramic pans for floor-standing toilets.



Models and features



Glass, mint green (SK) coated



Glass, black (SJ) coated



Glass, white (SI) coated

Glass edges	ground	polished	polished
Side	White ASA	Brushed aluminium	Brushed aluminium
Applications	– Floor-standing WC for installation flush with wall	– Floor-standing WC for installation flush with wall	– Floor-standing WC for installation flush with wall



Watermark approval - C of C 4000 – WELS approval and rating of 3Star

131.005.SI.1	Monolith BTW WC, white/aluminium, 6/3L AU
131.005.SJ.1	Monolith BTW WC, black/aluminium, 6/3L AU
131.005.SK.1	Monolith BTW WC, green/ASA, 6/3L AU



Watermark approval - C of C 4000 – WELS approval and rating of 4Star

131.006.SI.1	Monolith BTW WC, white/aluminium, 4.5/3L AU
131.006.SJ.1	Monolith BTW WC, black/aluminium, 4.5/3L AU
131.006.SK.1	Monolith BTW WC, green/ASA, 4.5/3L AU



Main applications

For floor-standing, back to wall WC pans

Online catalogue from Geberit www.geberit.com.au



Accessories



131.082.16.1

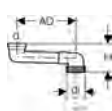
WC S-Bend connector set complete, dia. 90mm

For waste connection installation <150mm



131.083.16.1

WC connector complete, dia. 90mm



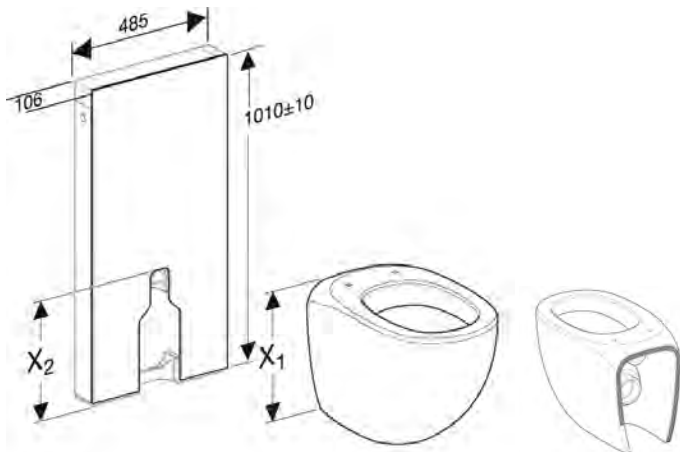
388.350.29.1

S-Bend floor connector, dia. 90x110mm

For special waste connection installation

Installation

Geberit Monolith sanitary WC module is an innovative product which offers fast and near dirt free renovation with floor standing back to wall WC pan. The product can be installed without impacting walls or structural elements of a bathroom as existing water and waste connection points can be utilized.



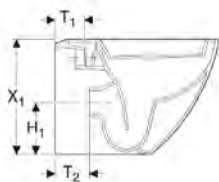
Geberit Monolith WC Module can be paired with most back to wall WCs.

Important:

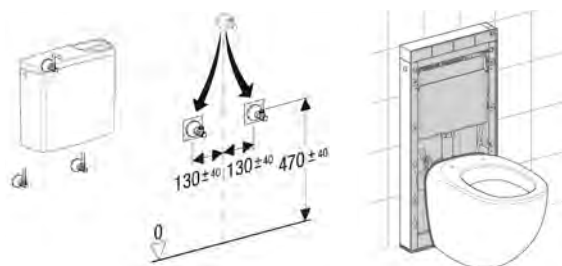
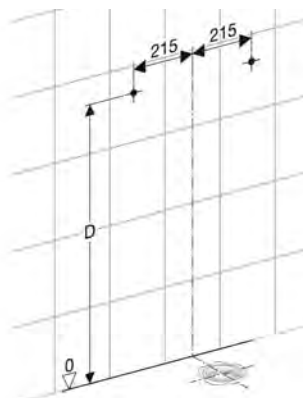
- > Check WC supplier's specification
- > Choose WC pans with open rear and floor for easy connection to waste point. Some pan models may not be suitable.

X ₁	D	X ₂
380-390	910	375
390-400	910	380
405-410	910	385
410-415	910	390
415-420	910/925	395
420-425	925	400
425-430	925	400
430-435	925	405
435-450	925	410

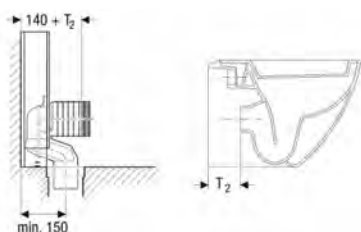
X ₁ :	mm
H ₁ :	mm
T ₁ :	mm
T ₂ :	mm



Complete the table (left) with relevant WC measurements and use the table (far left) to determine the correct height for bolt position.



Water connection point may have to be altered to fit inside the frame perimeter



Waste connection measurements in conjunction with P-bend

For waste connections < 150mm use
Art. No. 131.082.16.1 WC S-bend Connector Set

■ GEBERIT

Geberit Monolith WC Module

Fast, simple and beautiful



Geberit Pty Ltd
Unit 8a
6-8 Byfield Street
North Ryde NSW 2113

T: (02) 9889 7866
F: (02) 9889 7855
E: sales.au@geberit.com

www.geberit.com.au

The information contained is subject to change without notice. The information provided contains general descriptions of technical options available, which do not always apply to individual cases. The required features should therefore be individually clarified in accordance with individual situations at the time of proceeding. All dimensions in mm (10mm=1cm). This publication GEAU440510 supersedes all previous publications Copyright Geberit PTY LTD/May 2010.