

Design & Construct

How to deliver the tricky fit-out features your clients want with greater margin and less hassle.

5 Reasons Builders Turn to Us

1 Technical & Engineering Capacity

We can create innovative solutions that meet complex design and construction requirements.

2 Cost Control Capabilities

We can fully meet design intent within strict budgets and help save you money on installation costs.

3 Manufacturing Speed

We can use alternative materials and install methods to hit completion deadlines when you need it fast.

4 Product & Service Range

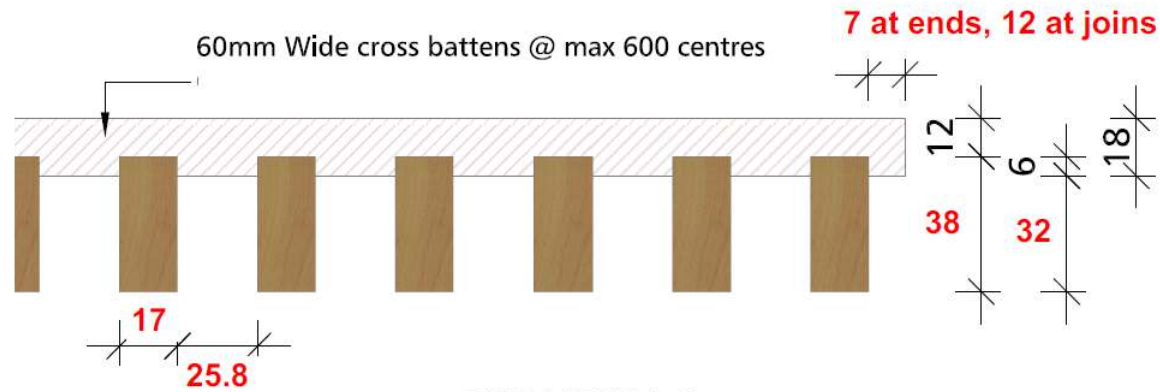
We can offer design managers and architects a vast range of material and product options to meet design intent and budget.

5 Installation Assistance

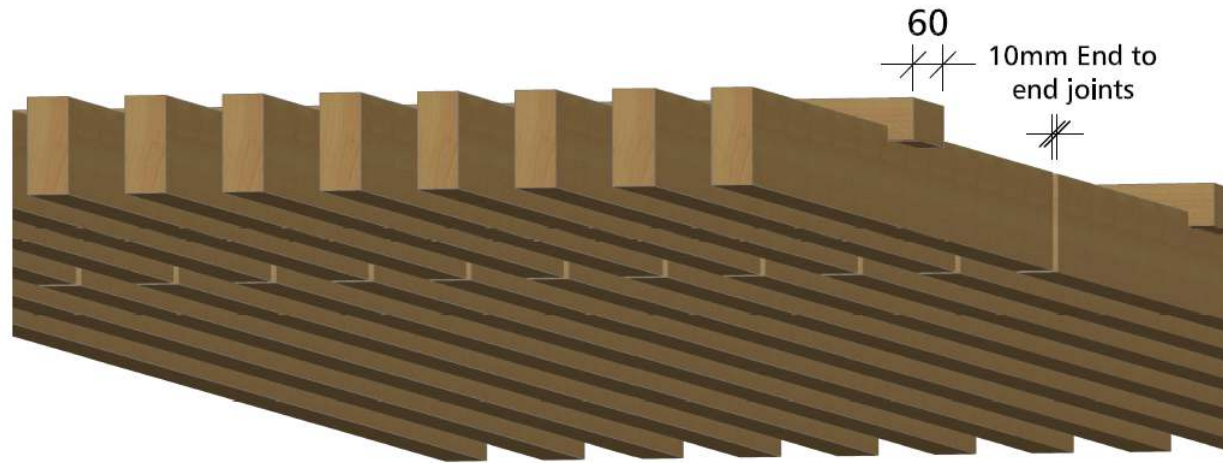
We can recommend competent installers and can provide advice to ensure a trouble-free install.

Call us on **1800 002 123** or send an email to sales@supawood.com.au and let us help you solve your problems today.





END VIEW 1:2



3D CEILING VIEW

Stapling of IAT:

IAT must OVERLAP edge of all slats/cross battens by 6 - 9 mm.

Exception: IAT must be INSET at "7mm overlap cross batten ends" by 15mm so that the IAT is not visible from the edge of the panel



Rockdale Plaza Food Court

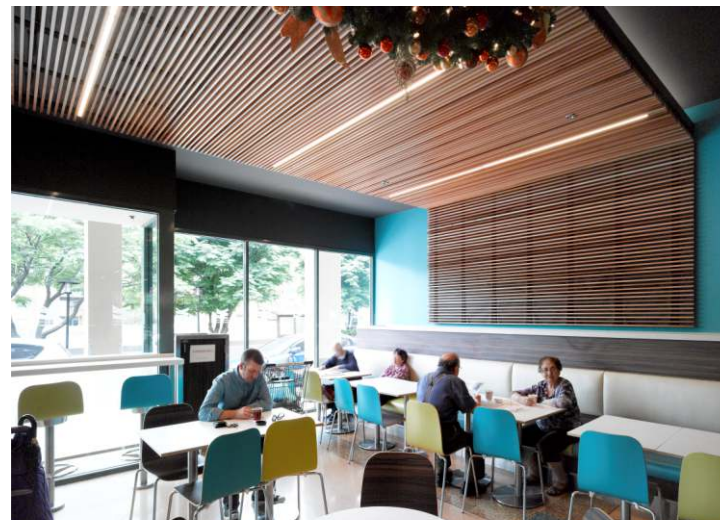
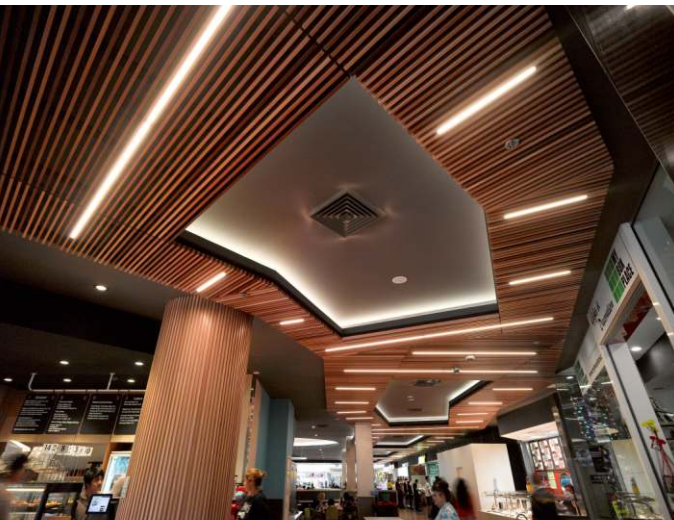
- Project:** Food court refurbishment
- Address:** Rockdale Plaza, Rockdale NSW
- Product:** SUPASLAT custom panels option 4 in Western Red Cedar
- Architects:** Saunders Global
- Installer:** Auzoom Plaster Lining
- Photos:** Blake Brockdorff - Archishots

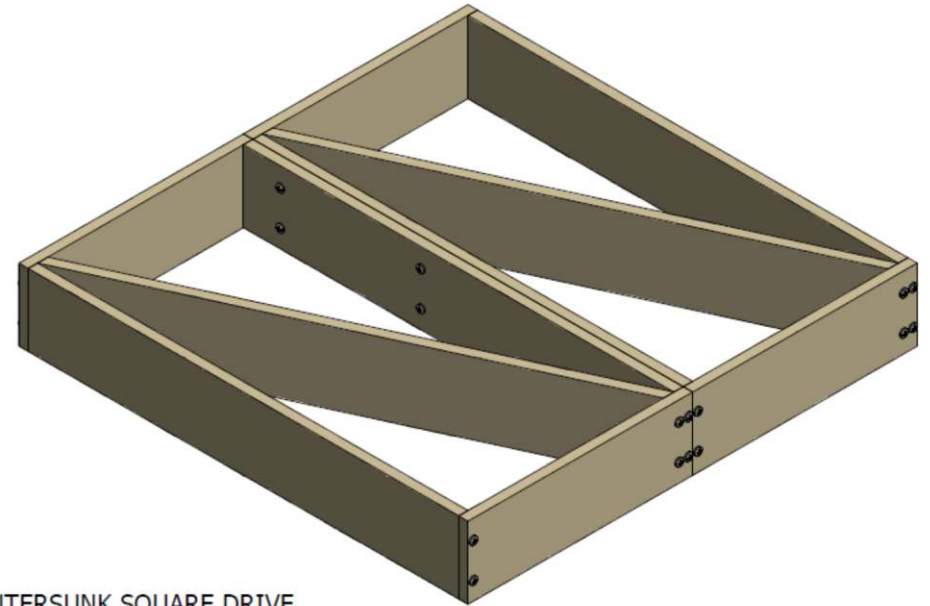
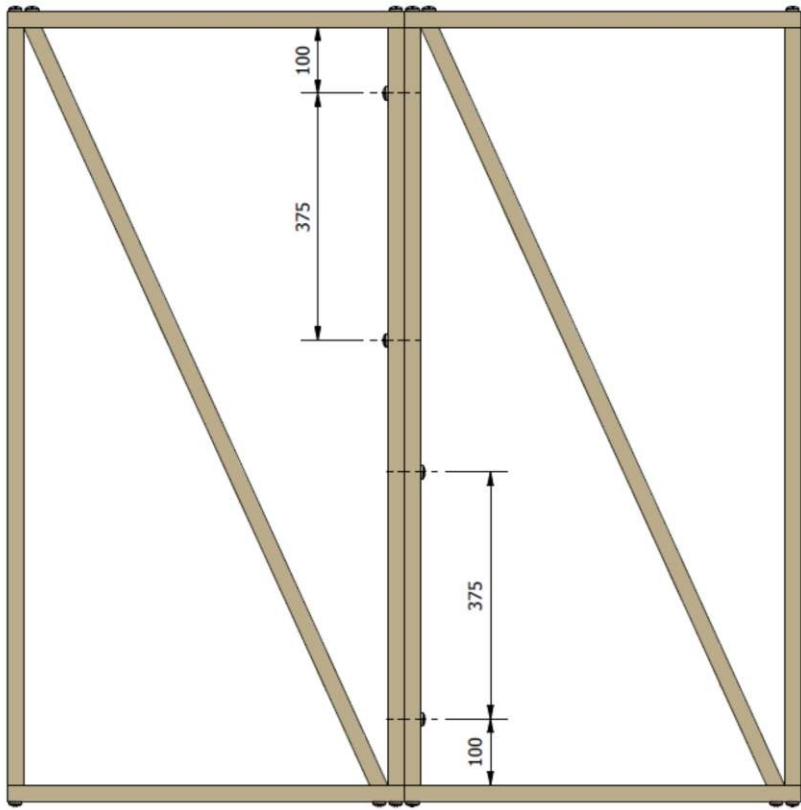
SUPAWOOD had to match a specified material with a shorter lead time and then customise the product to suit the special angles required.

Manufacturing Speed – We were able to achieve the completion dates required.

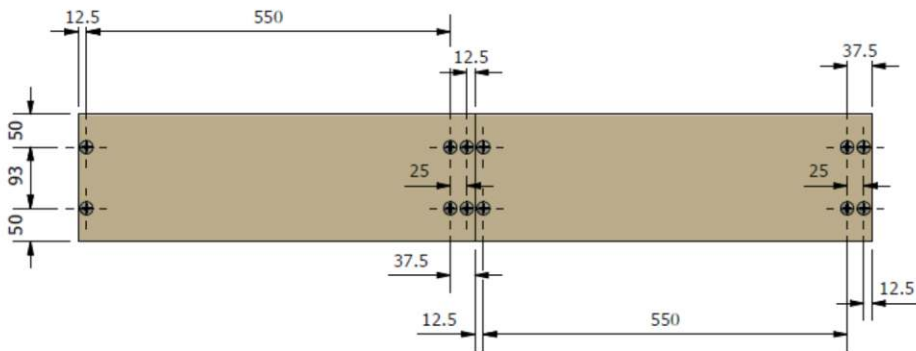
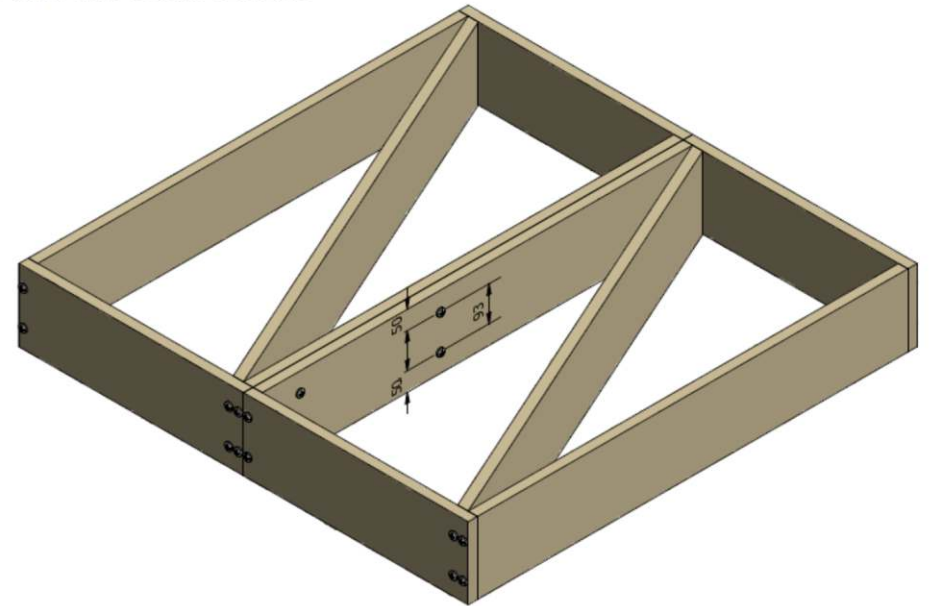
Service Range – We were able to match the finish required and provided the modifications to integrate it with lighting, access panels and custom shapes.

[Read full story...](#)

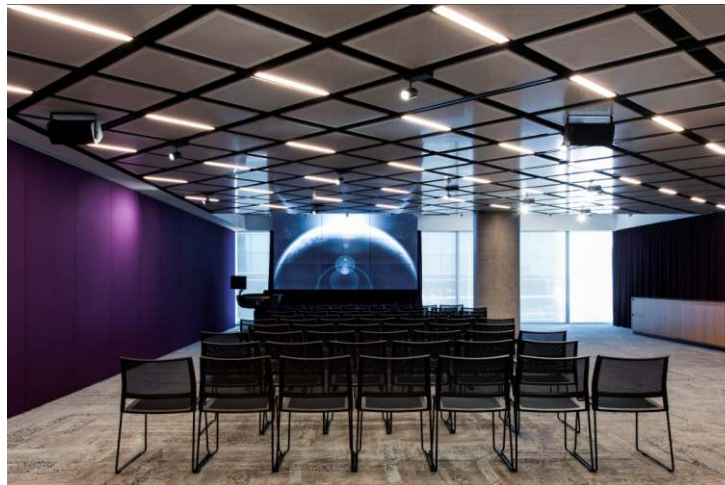




42mm COUNTERSUNK SQUARE DRIVE
STAINLESS STEEL CHIPBOARD SCREWS



WSU Parramatta BOX CEILING



WSU Parramatta

Project: Western Sydney University, School of Business 'Vertical Campus' interior fit-out

Address: 1 Parramatta Square, Parramatta NSW

Products/Finishes:

- ▶ Ground floor foyer ceiling - Square WAVE BLADES in SUPAVENEER Spotted Gum
- ▶ Collaborative & flexible area ceilings - SUPATILE DIT diagonally slotted ceiling tiles in SUPAFINISH Hoop Pine concept veneer
- ▶ Arrival lounge ceilings on most levels - Custom HOOP PINE PLYWOOD BOXES
- ▶ Flexible teaching area ceilings - SUPACOUSTIC perforated floating panels in SUPACOLOUR High Gloss White

Designer: Woods Bagot

Builder: John Holland Sydney

Installers: Interior Works & Amicus Projects

Photos: Nicole English

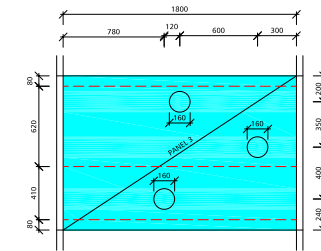
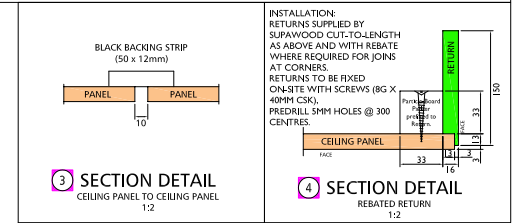
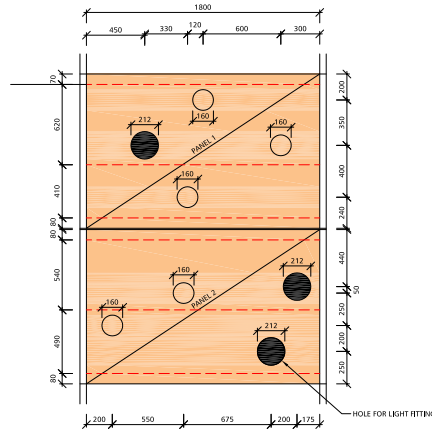
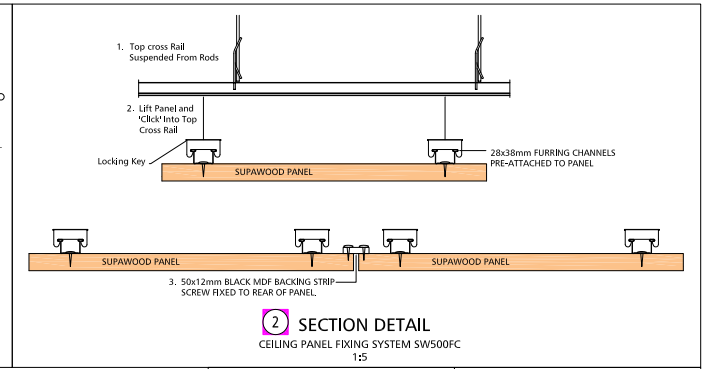
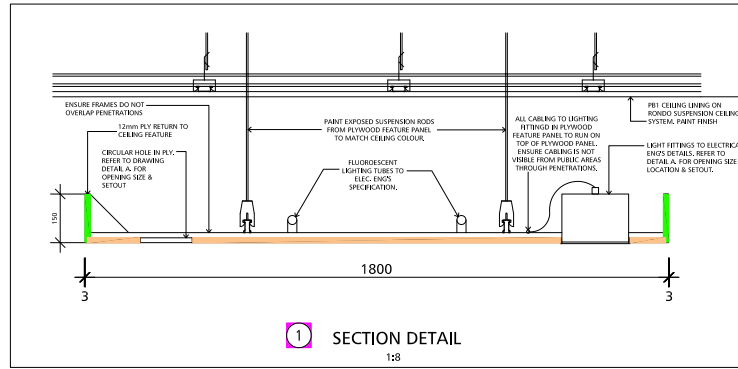
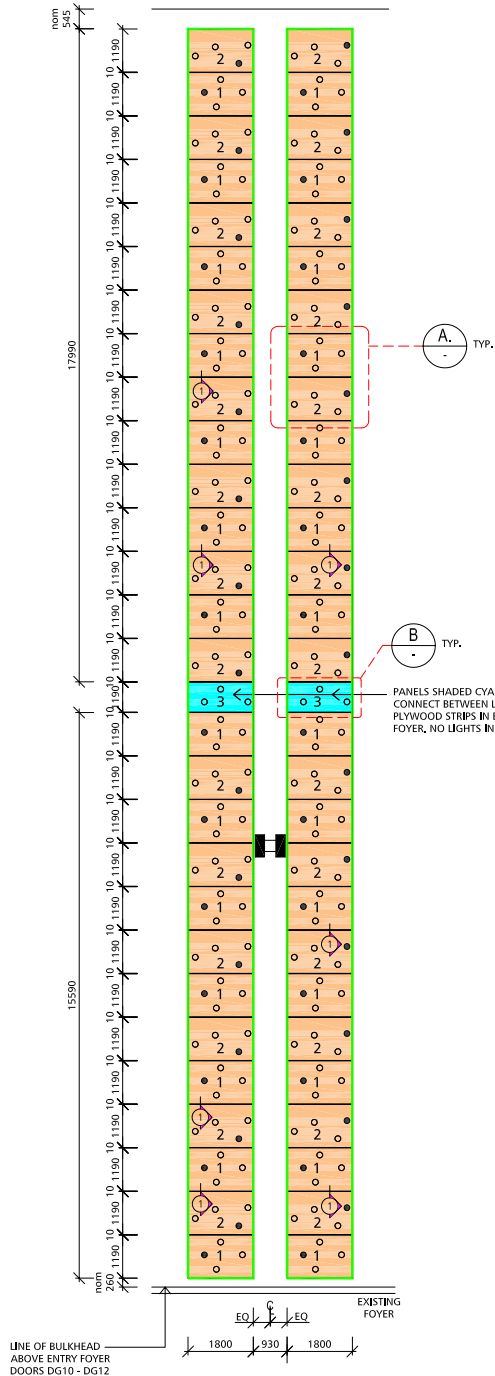
The architect and builder needed the design intent maintained while still achieving capacity targets. The budget had to be achieved across a wide range of product types.

Cost Control Capabilities - SUPAWOOD met the budget across all items submitted for value engineering.

Manufacturing Speed – We were able to meet significant production targets required for the large volume of paneling involved.

Service Range – We were able to meet all finish and product requirements while keeping the architect's design intent.

[Read full story...](#)



REFLECTED CEILING PLAN
SCALE 1:72



Dubbo Regional Theatre & Convention Centre

Project: Theatre and foyer new build

Address: Darling Street, Dubbo NSW

Products/Finishes:

- ▶ Foyer - SUPALINE wall and ceiling panels in SUPAFINISH Hoop Pine concept veneer SUPACOUSTIC and SUPALINE wall panels in 3 shades of SUPACOLOUR Red
- ▶ Theatre - SUPALINE wall panels in SUPAFINISH Hoop Pine and SUPAFINISH Black concept veneer plywood

Architect: Perumal Pedavoli Architects

Builder: David Payne Constructions

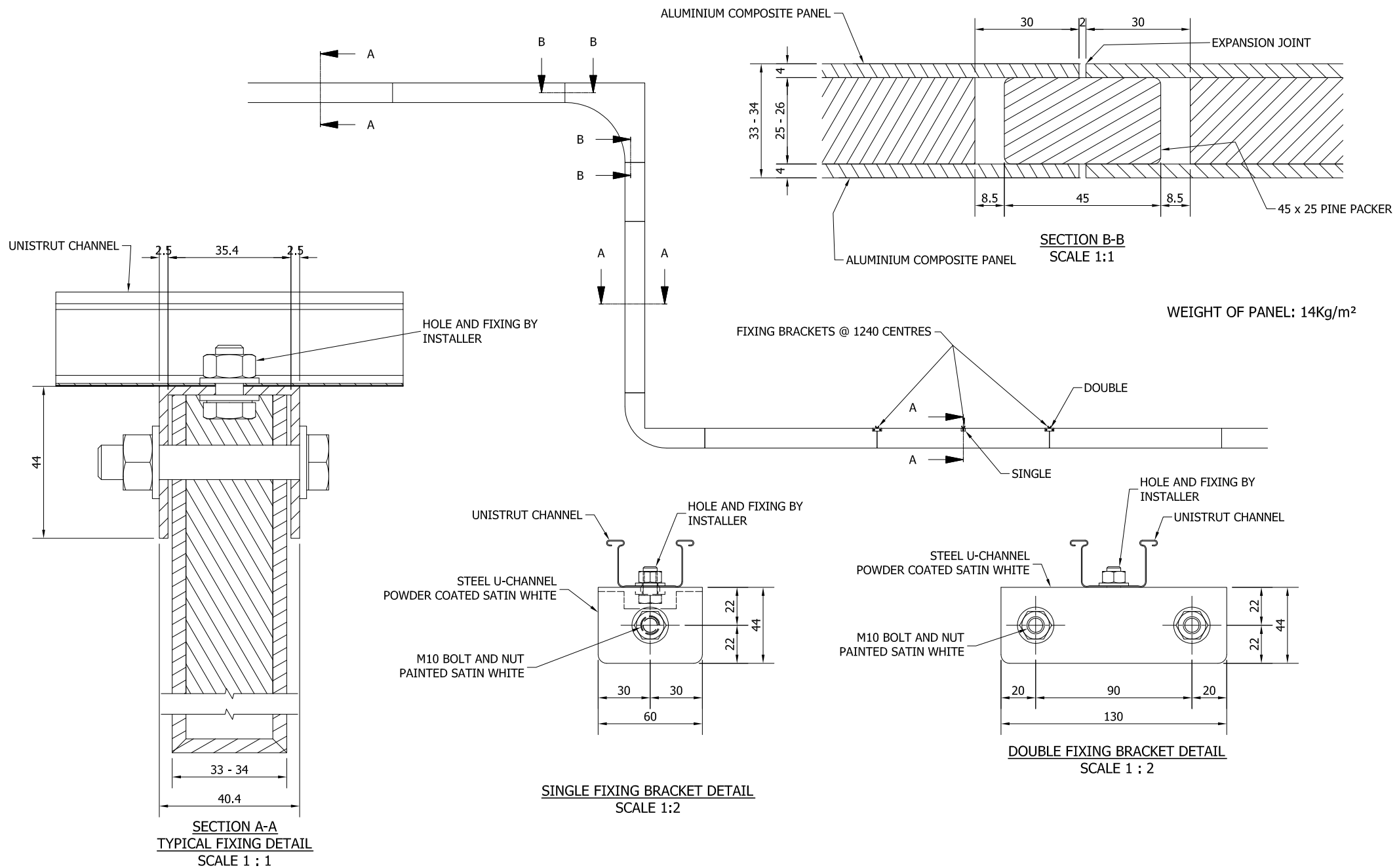
The main challenge on this project was the long lead time on the specified plywood as well as colour matching issues.

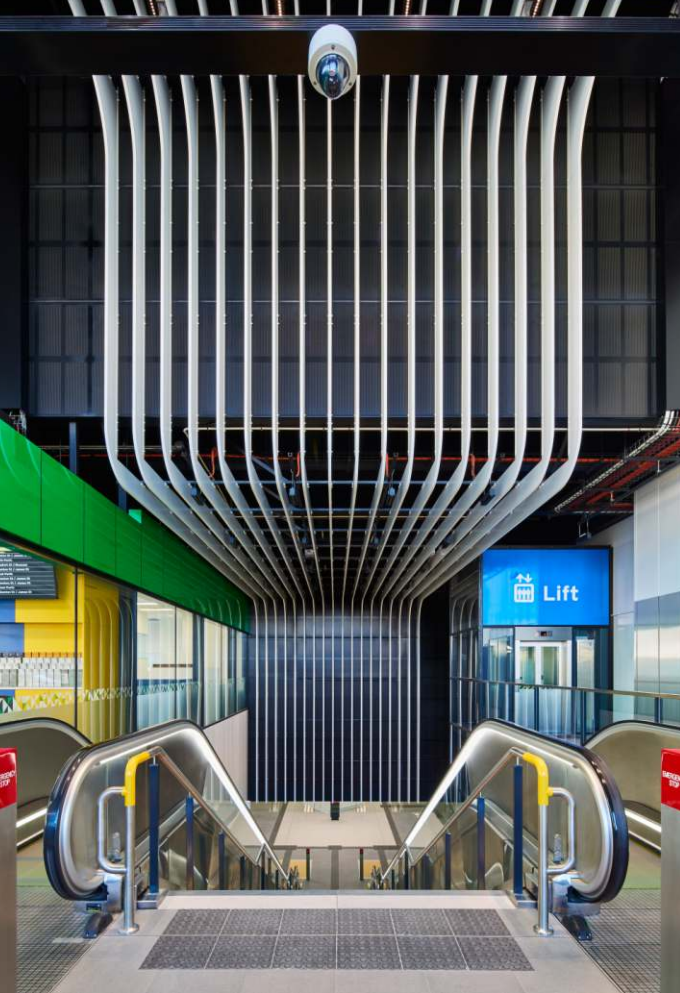
Technical and Engineering Capacity – SUPAWOOD matched the required finishes to the client's satisfaction and simultaneously resolved colour consistency and fixing issues.

Manufacturing Speed – Our SUPAFINISH concept veneer in Hoop Pine and Black on plywood were able to achieve the desired effects within the construction time frame.

[Read full story...](#)







Perth Busport

Project: Entry portals into the Busport

Address: Wellington Street, Perth WA

Product: Custom engineered WAVE BLADES

Finishes: SUPAMETAL Matt White

Architect: GHD Woodhead

Builder: Brookfield Multiplex

Installer: Cubic Western Australia

Photos: Courtesy of Public Transport Authority of Western Australia.

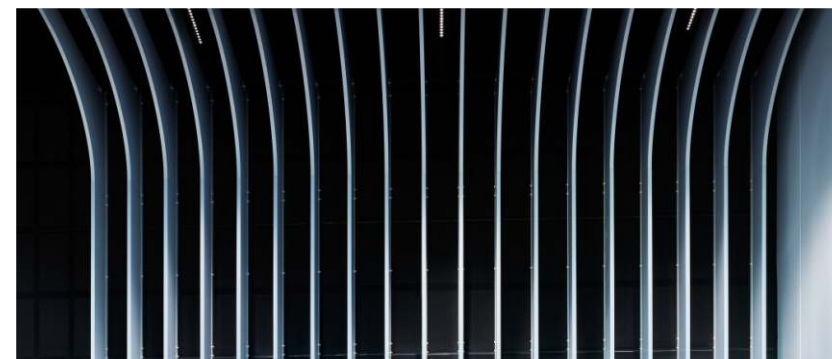
This project required the combination of specialist materials, resolving of technical problems and the meeting of a tight budget simultaneously.

Technical and Engineering Capacity – SUPAWOOD's Engineering team overcame all technical obstacles to the project and also provided a custom 15-year warranty for external conditions and a Fire Group 2 product.

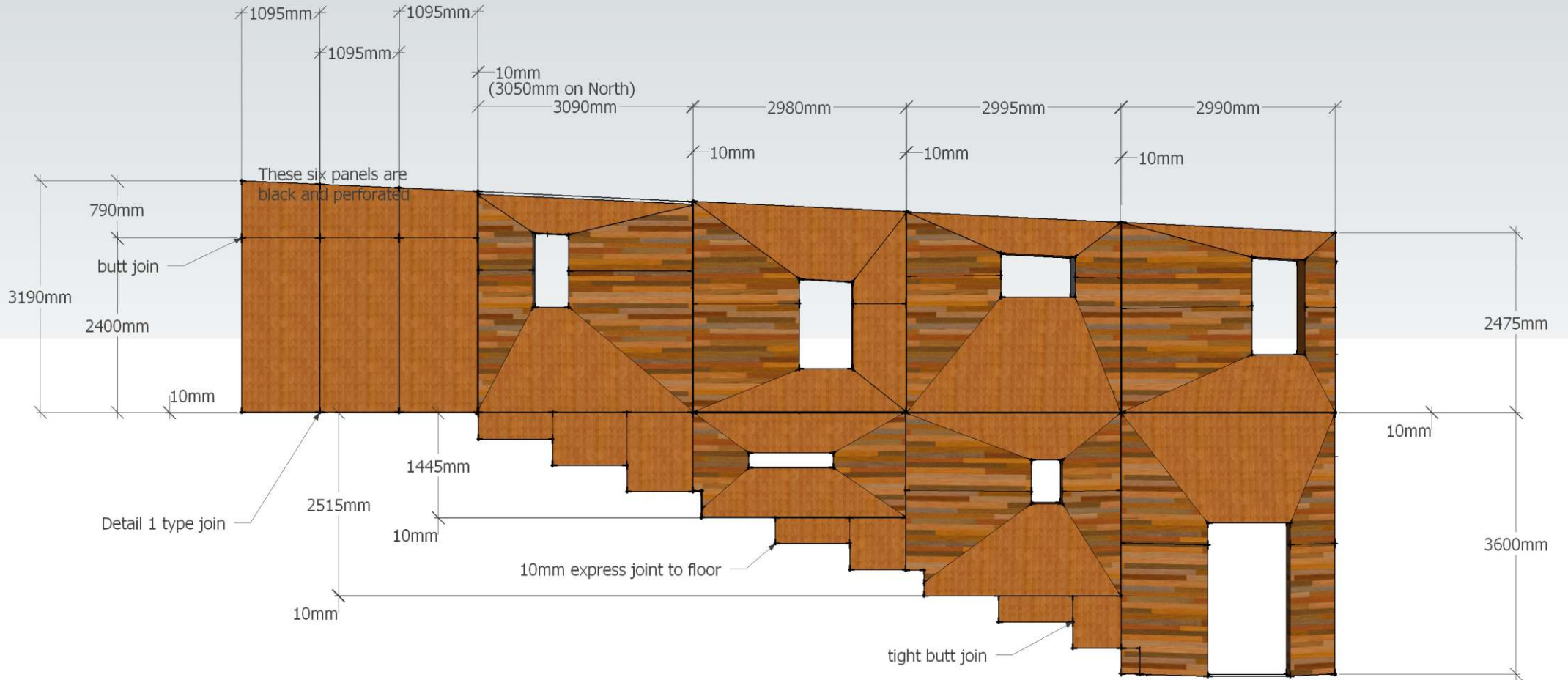
Cost Control Capabilities – We were able to meet the budget.

Service Range – We achieved both the above by using innovative aluminium materials.

[Read full story...](#)



Theatre South Elevation
See North Elevation for panel numbers





Monte Sant' Angelo Mercy College O'Regan Building

Project: School theatre, foyer, stairs & classrooms

Address: Miller Street, North Sydney NSW

Product: SUPALINE and SUPACOUSTIC

Finish: SUPAVENEER mismatched Blackbutt natural timber veneer

Designer: Brewster Hjorth Architects

Builder: Prime Constructions

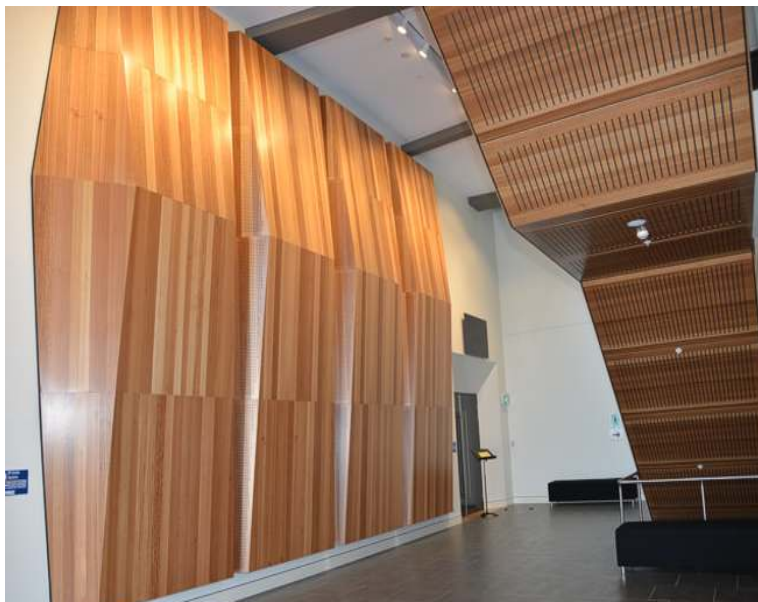
Photos: JadaArt

The primary goal on this project was to ensure a quick install on the complicated three dimensional panels whilst maintaining the budget that had been allowed.

Technical and Engineering Capacity – SUPAWOOD designed a kit system that was quick to install.

Cost Control Capabilities – We ensured costs did not blow out of proportion in the process.

[Read full story...](#)





IGA Romeo's

Project: Food Hall fit-out

Address: MLC Centre, corner of King & Castlereagh Streets, Sydney NSW

Product: Supaslat MAXI BEAM LED lit beams

Finish: SUPALAMI Striped Mahogany

Architect: Saunders Global

Builder: JRMC Constructions

Installer: Southern Ambitions

Photos: JadaArt

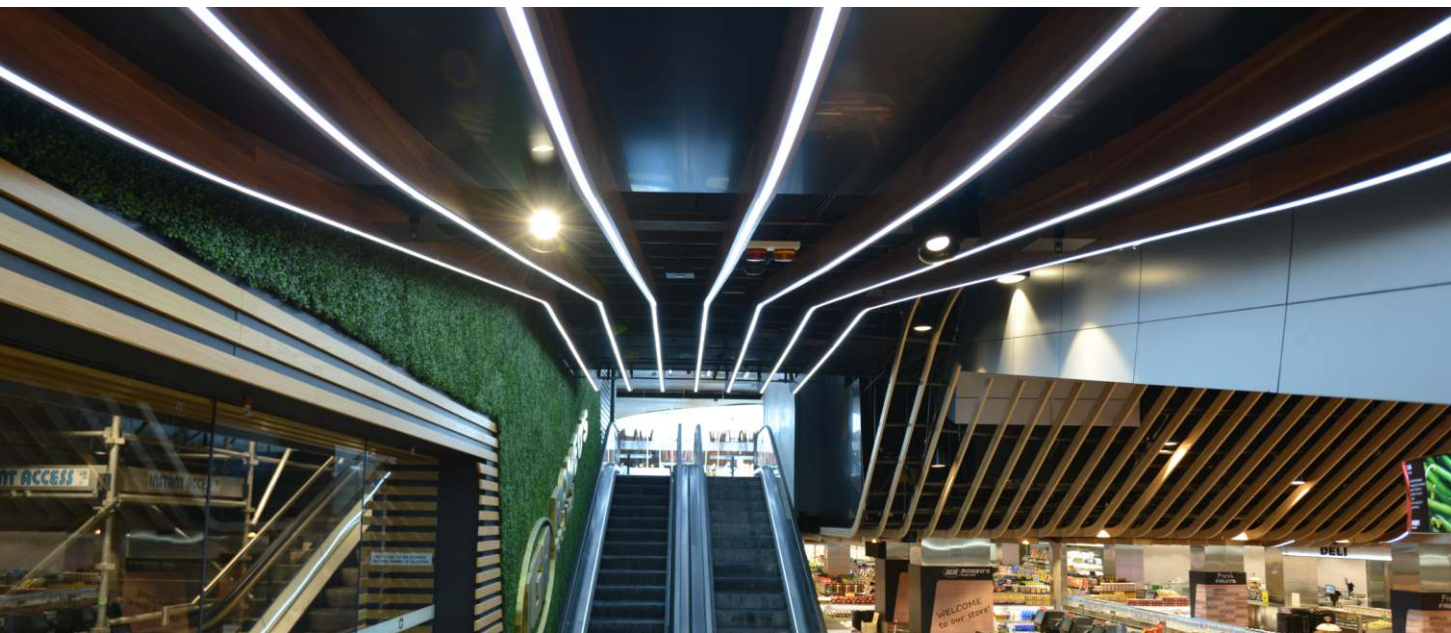
A large number of custom built products were required on this project, but the overall budget had to be maintained.

Technical and Engineering Capacity – SUPAWOOD were able to engineer all the custom products required, including lighting and signage, within the allocated time frame.

Cost Control Capabilities – We achieved the desired budgets.

Installation Assistance – The project was completed on time using our recommended specialist installer.

[Read full story...](#)





MLC Centre Food Court

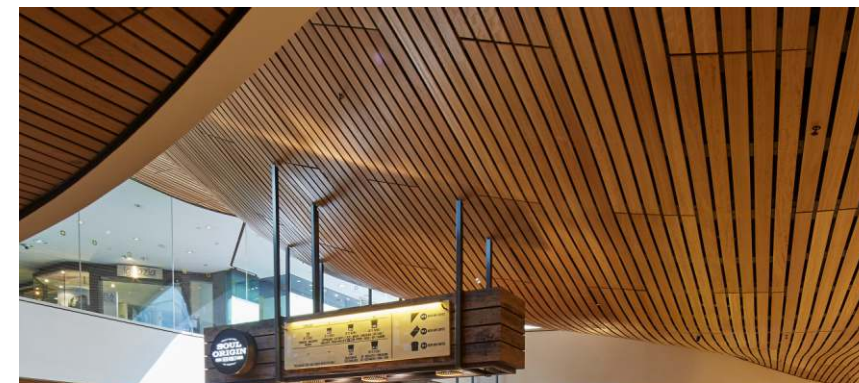
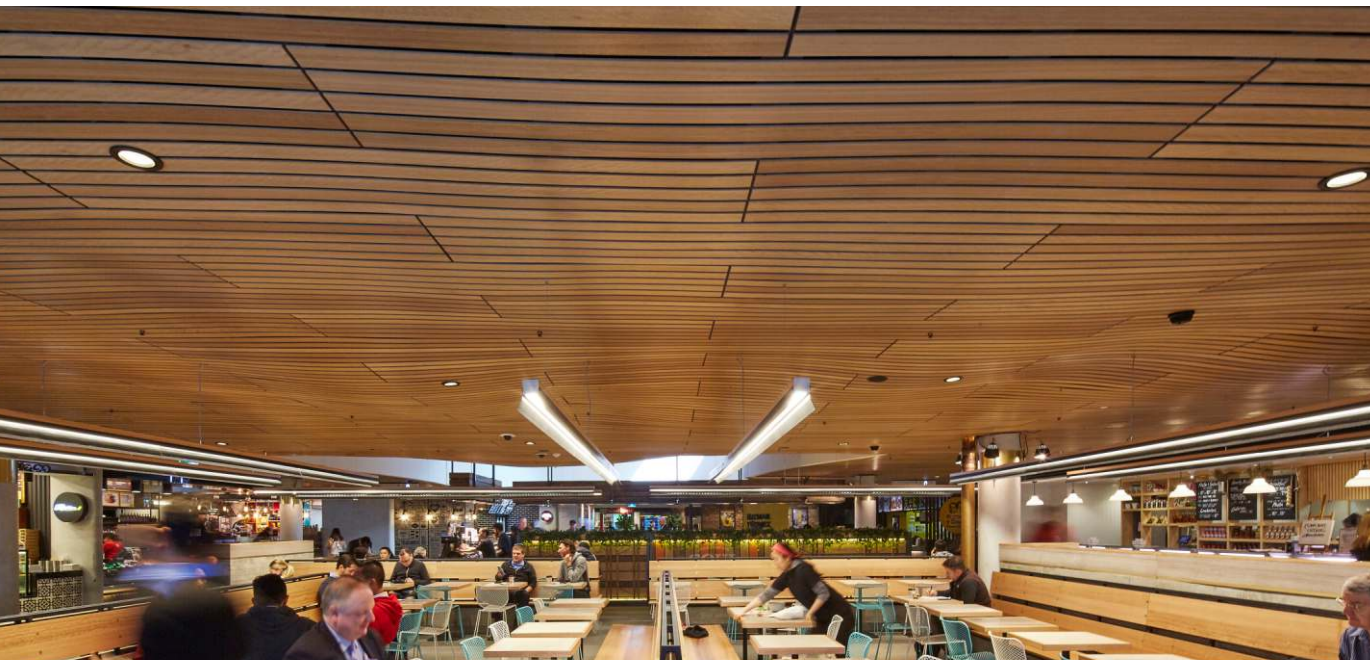
- Project:** Food court refurbishment
Address: Crn King & Castlereagh Sts, Sydney NSW
Product: SUPASLAT custom curved and twisted panels
Finish: SUPAVENEER NTV with polished low VOC finish on E1 low formaldehyde MR-MDF
Designer: Luchetti Krelle
Builder: Built
Installer: Southern Ambition
Photos: Tyrone Branigan Productions

The builder and architect on this project needed someone to achieve the double curve designed by the architect. However, install had to be done quickly at night, and the builder needed a specialist installer who could handle this.

Technical and Engineering Capacity – SUPAWOOD designed a system whereby every part of the ceiling could be built from one type of panel.

Installation Assistance – We provided a recommended installer who was able to keep up with the program and perform all installation work at night.

[Read full story...](#)



Design & Construct

At SUPAWOOD, we recognise that complex projects require smart, innovative solutions that can be delivered on time and within budget. That's why builders are turning to us more and more for our expert advice and ability to successfully deliver quality complex feature linings more profitably. We take pride in supplying a full Design & Construct service throughout your project, ensuring our products meet your every expectation and fully achieve your client's brief.

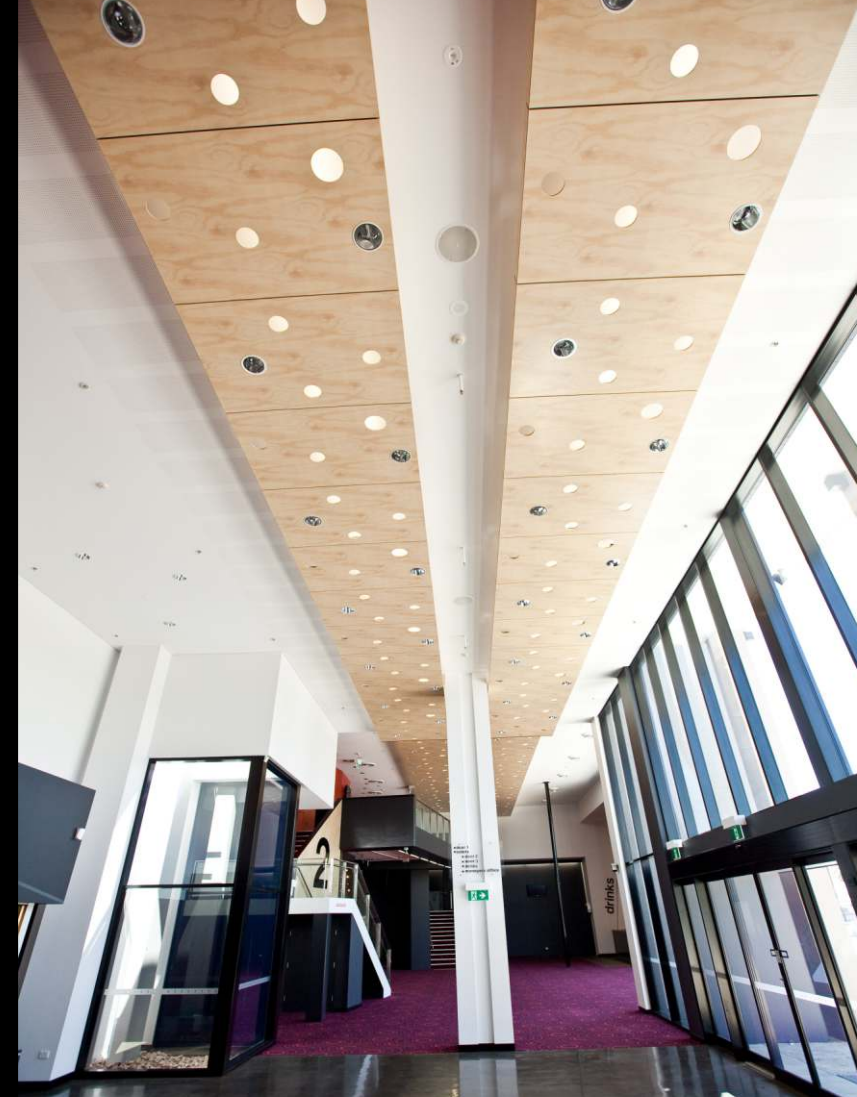
Our Design & Construct service offers the ideal solution to help you:

- ✓ Take a preliminary idea for a complex fit out to a workable final design.
- ✓ Design new or customise existing products to suit your project.
- ✓ Provide a range of exciting samples to show your client.
- ✓ Expedite a project by employing alternative materials and install methods.
- ✓ Work with your client's budget restraints to achieve the design intent and minimise installation costs.
- ✓ Find a suitable experienced installer. Receive installation advice for a successful end result.

We also have a proven track record that you can trust. With hundreds of successfully completed projects like those in this brochure, we are confident that our Design & Construct capabilities will deliver the results that your client wants.

And with SUPAWOOD as your partner, most importantly, you can expect exceptional products and services that will meet the most complex construction demands while maintaining a healthy bottom line.

Call us on **1800 002 123** or send
an email to sales@supawood.com.au
to book a no-obligation appointment today.



For more product information:

"Global technology and know-how. Local manufacture and support."

SUPAWOOD produce an extensive range of market-leading lining systems and look forward to helping you on your next project.

Website: www.supawood.com.au

SUPAWOOD Head Office

Australasian Support & Manufacturing

Aust. Phone: +61 1800 002 123

NZ Phone: +64 (9) 887 3234

Email: sales@supawood.com.au

SUPAWOOD UK

UK & EU Support & Manufacturing

Phone: +44 (0) 845 347 0026

Email: sales@supawood.co.uk