



DS1250 Twin Point Bi Fold Lock

Bi-Fold Two-Point Lock

DS1500 Swan #5

316 Grade Stainless Steel French Door Furniture



DS1500 Swan #5 Hinged Door Lock

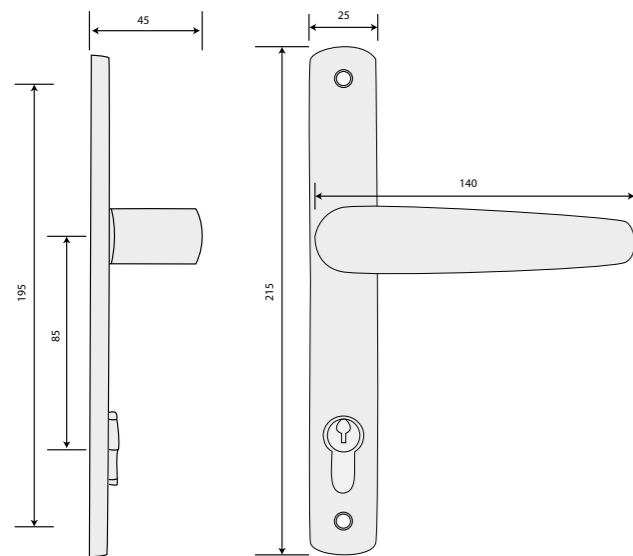
Doric is delighted to unveil the DS1500 Series, our latest range of high quality stainless steel door furniture, featuring the Swan #5 handle design.

Product Benefits

- Manufactured from marine grade 316 stainless steel
- 316 stainless steel provides strength and durability
- Independent spring mechanism on each handle ensures no issues with handle sagging
- Suitable for hinged doors in single French & Bi-fold door applications
- Can easily be matched to Doric internal DS1160 Lever on Rose series hardware
- Universal standard 85mm pitch between lever spindle & cylinder

Product Specifications

DS1500#5 DS1295/DS1265 DS1272 DS1278
 Furniture / Mortice Lock / Cylinder / Striker



Technical Specifications

Materials:	316 stainless steel
Finish Available:	Satin stainless steel (SSS)



DS1250 Twin Point Bi Fold Lock

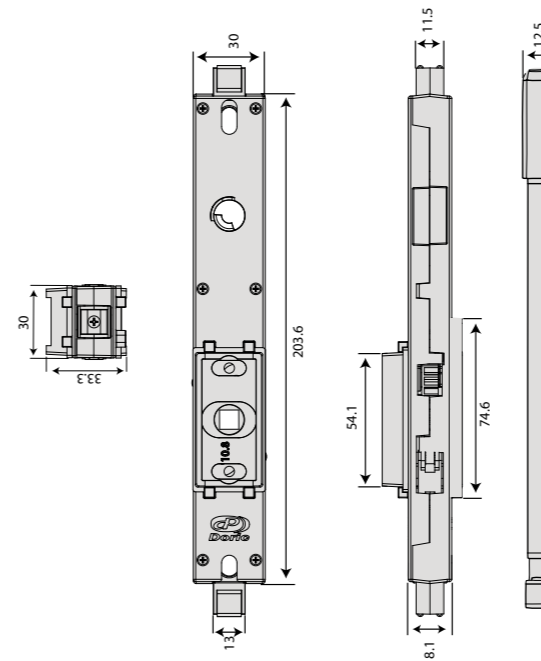
The Doric DS1250 Twin Point Bi Fold lock is suitable for use on hinged & bi fold aluminium doors & windows.

Combining breath taking aesthetics & modern architectural styling the DS1250 enhances the Doric reputation of high quality hardware that is unmatched in styling & look.

The DS1250 is suitable for use in Residential & Commercial applications for doors up to 2800mm in height.

Product Benefits

- Ease of adjustment. Stainless Steel D shaped tips are threaded internally allowing ease of adjustment of rod tip extension into the head & sill without the need to remove the lock.
- The DS1250 is non handed, suitable for use on both left & right handed bi fold doors & windows.
- Extruded aluminium guide combined with a threaded rod connection provides ease of adjustment and strength.
- No screws required when installing packers. Simply slide under tabs provided.
- The aesthetically pleasing furniture has the lowest possible stand off dimension allowing for the largest achievable leaf opening.
- Stainless steel rods provide corrosion resistance.



Technical Specifications

Materials:	Zinc die cast construction
Finish Available:	Satin Nickel (SNK) & Doric Powdercoat Colours
Cylinder:	Provision for key locking through the use of the DS187 half cylinder

