

PERFORMANCE CEILINGS
More scope for innovation



NEW
FROM
AMF



Sound Attenuation

$D_{n,f,w} = 44$ dB as per EN 10848

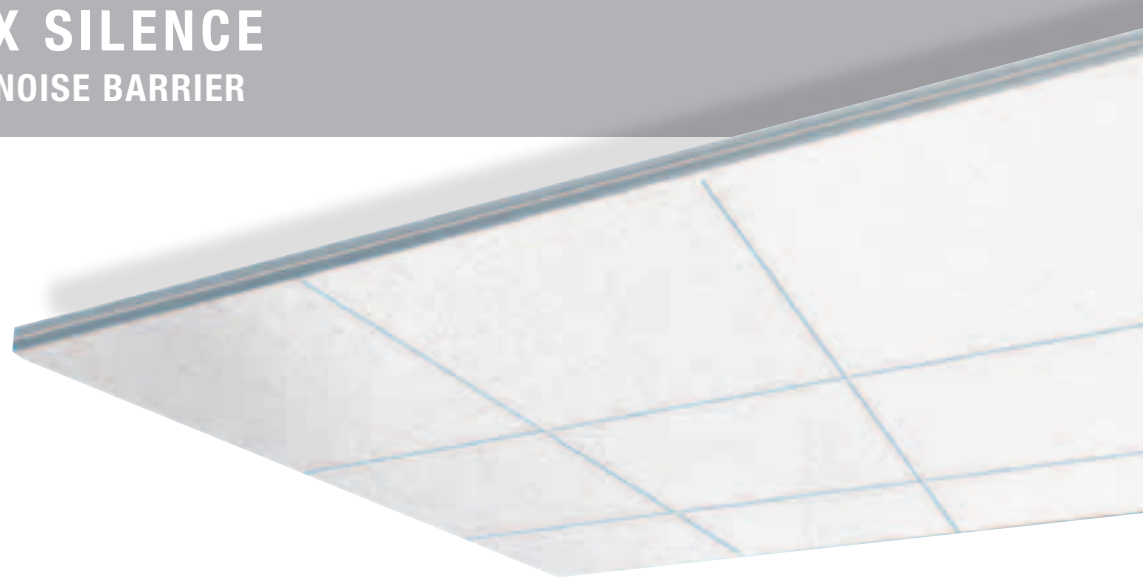
Sound Absorption

$\alpha_w = 0.85$ (H) as per EN ISO 11654

$NRC = 0.90$ as per ASTM C 423



THERMATEX SILENCE
THE INTEGRATED NOISE BARRIER



AMF THERMATEX Silence - combined sound attenuation and

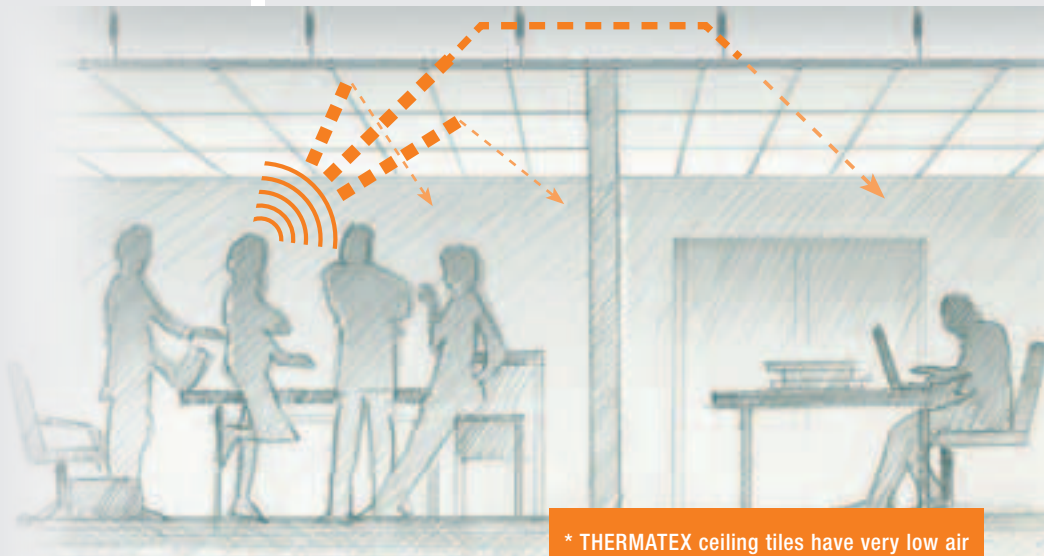
Good acoustics are reliant on good speech intelligibility and adequate protection from unwanted external noise. Typical office partition walls with a common ceiling void provide a particular problem. The THERMATEX Silence provides a combination of high sound absorption to control reverberation and high sound attenuation to reduce unwanted noise. The composite structure of dual density THERMATEX boards serves not only to create good acoustics but also gives a high level of robustness. The acoustic tissue face gives it the same white, uniform appearance as the entire AMF Acoustic Range.

Advantages:

- Sound absorption
 $\alpha_w = 0.85$ (H) as per EN ISO 11654
 $NRC = 0.90$ as per ASTM C 423
- Sound attenuation $D_{n,f,w} = 44$ dB as per EN 10848
- Edge details SK (square edge) and VT (recessed edge)
- Cost effective and environmentally friendly due to its easy handling and compact packaging
- Minimised filter-effect, giving a long-lasting, cleaner ceiling*
- Composition of natural raw materials: Bio-soluble mineral wool, perlite, clay and starch
- 100% recyclable

Schematic demonstration of THERMATEX Silence

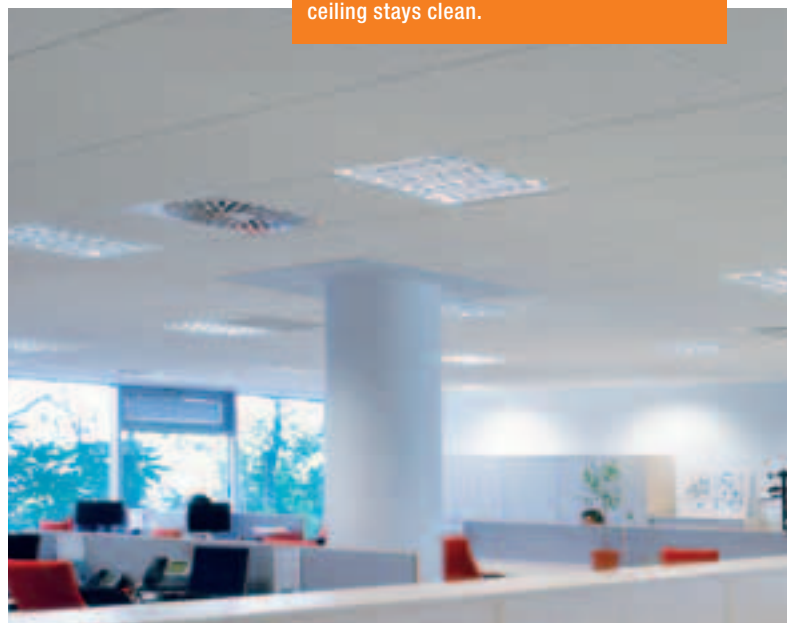
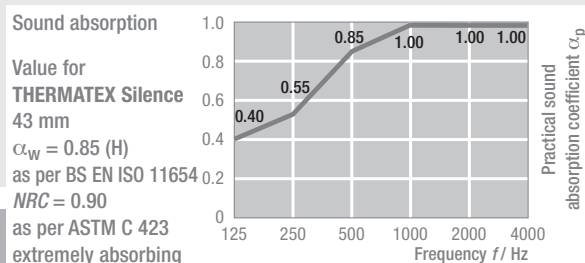
The partitioned areas (meeting rooms, general office etc.) have improved acoustics due to the highly acoustically absorbing ceiling, whilst at the same time the AMF THERMATEX Silence provides a high level of sound attenuation giving a high level of privacy to the adjacent room.



* THERMATEX ceiling tiles have very low air permeability due to their increased density. Only small amounts of dust particles can be deposited on the tiles surface therefore - the ceiling stays clean.

Technical Performance

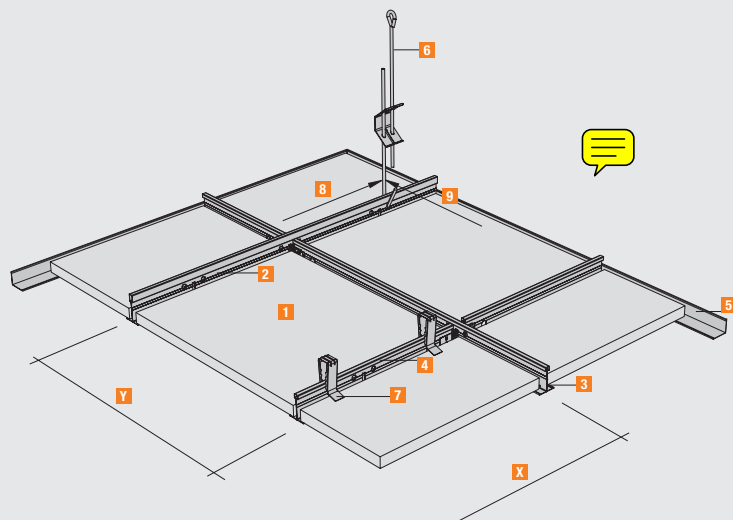
SYSTEM	■ C Exposed grid system, tiles demountable
Building material class	■ A2-s1,d0 as per EN 13501-1
Sound absorption	■ EN ISO 354
Sound attenuation	■ $D_{n,f,w} = 44$ dB as per EN 10848, (43 mm thickness, according test report)
Humidity	■ Up to 95% RH
Light reflectance	■ Up to 88%
Thermal conductivity	■ $\lambda = 0.052 - 0.057$ W/mK as per DIN 52612
Dimensions	■ 600 x 600 mm / 625 x 625 mm / 600 x 1200 mm and 625 x 1250 mm Other sizes available on request
Thickness / Weight	■ 43 mm (c. 10.8 kg/m ²)
Colours	■ white similar to RAL 9010



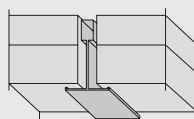
System C

- Exposed grid system, tiles demountable
- Easy and quick to install
- Fast access to the void for maintenance

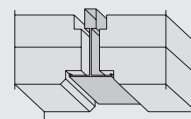
Grid sizes in mm	Y	600 x 600			
	X	625 x 625	600 x 1200	625 x 1250	
AMF-Mineral ceiling panels	1 pz.	2.78	2.56	1.39	1.28
VENTATEC T-Main runner					
T24/38-3600 or 3750	2 ML	0.84	0.80	0.84	0.80
VENTATEC T-Cross tee					
T24/33 - 1200 or 1250	3 ML	1.67	1.60	1.67	1.60
VENTATEC T-Cross tee					
T24/33 - 600 or 625	4 ML	0.84	0.80	-	-
RWL edge trim or RWU					
edge runner for metal	5 ML	0.60	0.60	0.60	0.60
SoS hanger or alternatives	6 pz.	0.67	0.67	0.67	0.67
Hold down clip (optional) for fire protection requirements	7 pz.	5.56	5.12	2.78	2.56
Distance between hangers	8 m	1.25	1.20	1.25	1.20
Distance between main runners	9 m	1.20	1.25	1.20	1.25



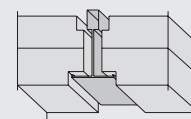
Edge details



SK



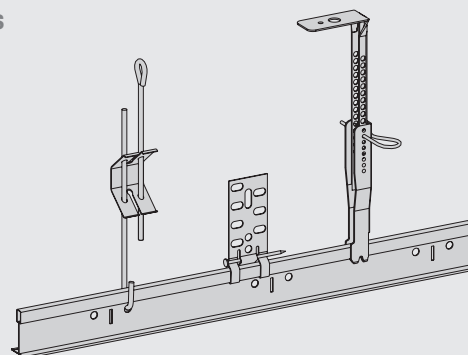
VT 15/24



VT-S 15/24



Hangers



Equivalent, approved hangers can also be used with this system. The choice enables flexibility and ease of installation as particular installations may require butterfly, nonius or direct hangers. The butterfly hanger's slender attachment hooks make them ideal to match the geometry of the ceiling tiles.



THERMATEX ACOUSTIC RANGE

In addition to THERMATEX Silence, AMF offers the THERMATEX Acoustic Range, a complete range of acoustic ceilings for high performance requirements.

The new AMF Acoustic Range offers ceiling tiles that range from acoustically reflective through to extremely absorbing and all with the same appearance. This enables an ideal solution for all applications and is particularly suitable for optimising acoustics in schools.

- High sound absorption to control reverberation
- Reflective options to control sound
- Sound attenuation from 26 to 44 dB
- Smooth, white tissue face
- Acoustic properties are independent of the finish
- Provides solutions to fine tune room acoustics
- Developed by acoustic specialists



Acoustic Range

Due to reproduction processes colours shown in this catalogue may differ from the actual product colour. Product selection should always be made from AMF samples. All details and technical information stated in this brochure or other publicity material referring to AMF ceiling systems are based on test reports obtained under laboratory conditions. All system details conform with current technology and are based on the use and compatibility of AMF products and system components used in both internal and external tests. AMF accepts no liability or responsibility for use of third party components, or for any variations to conditions stipulated in test data. We recommend not to mix production batches on jobs. All technical data is subject to change without prior notice and is governed by AMF Terms and Conditions of Sale.

The most current technical and product information is available on our website www.amfceilings.com.
This catalogue supersedes all previous editions.
Errors and omissions excepted. Printing errors excepted.

Knauf AMF GmbH & Co. KG
Elsenthal 15
D-94481 Grafenau
Germany
Tel.: +49 (0) 85 52 / 422 - 0
Fax.: +49 (0) 85 52 / 422 - 32
E-mail: info@knaufamf.de
<http://www.amfceilings.com>



The Construction Products Directive (Council Directive 89/106/EEC), relevant for Suspended Ceilings, was converted to the European Standard EN 13964. It stipulates essential criteria for the CE labelling of ceiling products and ceiling systems.



The RAL- Quality Mark confirms the consistently high quality of the AMF mineral wool, as well as its biological solubility. OM



Knauf AMF GmbH & Co. KG. is certified according to ISO 9001 and ISO 14001.

