

MakMax
Australia



ARCHITECTURAL UMBRELLA RANGE

CONTENTS

THE PERFECT SOLUTION FOR YOUR VENUE	2
ARCHITECTURAL UMBRELLA RANGE	3
CUSTOMISE YOUR UMBRELLA	
» LED Lighting & Heating	6
» Colours, Patterns & Logos	7
» Fabric & Steel Colours	8
» Ground Fixing	9
» Linking System	10
UMBRELLA OPENING KITS	11
UMBRELLA SPECIFICATIONS	12
MAINTENANCE RECOMMENDATIONS	13



Charles Sturt University, Newcastle NSW



Grilled Sunshine Plaza, Maroochydore QLD



Perth Cultural Centre, WA



Butcher & The Farmer, Sydney NSW

THE PERFECT SOLUTION FOR YOUR VENUE

Favoured by architects, designers, and developers, MakMax Architectural Umbrellas can be seen all over the world, enhancing businesses and attracting the attention of passers-by.

When the comfort of your customers and patrons is a priority, a MakMax Architectural Umbrella is the perfect solution for alfresco dining, hotel and resort pool areas, club hospitality areas, playgrounds and parks, walkways and pedestrian zones or anywhere shade and weather protection is needed.



PROTECTING

MakMax Architectural Umbrellas use modern, high-tech fabrics which offer the highest levels of protection from direct sun and harmful UV rays. They are engineered to withstand a host of weather extremes including sun, rain, strong winds and hail.



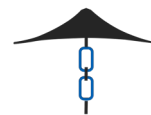
LOW MAINTENANCE

Using only the highest quality fabrics and corrosion-resistant columns and cables, MakMax Architectural Umbrellas are low maintenance and have an excellent life-span compared to standard market umbrellas.



STYLISH

MakMax Architectural Umbrellas offers a range of shapes, colours and sizes and will enhance your outdoor space, providing unique and attractive shade and weather protection for your customers, patrons and staff.



DURABLE

MakMax Architectural Umbrellas are designed, engineered and fabricated for strength and durability here in Australia. We do not outsource any part of our manufacturing process, and we stand by our quality assurance.



COST EFFECTIVE

Extend your habitable space at a fraction of the cost of a conventional shade construction with a MakMax Architectural Umbrella. Our permanent umbrellas are pre-engineered, so installation is quick and easy, offering further cost savings.



FLEXIBLE

Boasting an in-house design and engineering team, our umbrella range can be customised to suit your business. Choose the size, shape, height, fabric, ground fixing or colour. Add heating, lights or logos. We can even link multiple umbrellas together to create larger protected areas.

ARCHITECTURAL UMBRELLA RANGE

CENTRA



CENTRAL SUPPORT PERMANENT UMBRELLA

The most popular and versatile umbrella in the MakMax Architectural Umbrella range, Centra is the perfect entertainer - ideal for cafes, restaurants, hotels, pubs, sports clubs and bars.

- » Centra umbrella models are available in a range of sizes from 2.7m up to 5m.
- » Shapes available are square, truncated square, octagonal, and hexagonal.
- » Wind rated to 120km/hr.
- » Ability to link multiple umbrellas together to increase coverage area.
- » Installed as a permanent umbrella, Centra canopies can be closed in the event of severe weather.



Little Red Dumpling, Maroochydore QLD

LEVA



CANTILEVER SUPPORT PERMANENT UMBRELLA

The cantilevered pole on the Leva range of umbrellas allows for maximised use of space underneath the canopy. Ideal for applications where a central column is not practical, such as over a pool. The Leva is also perfect for alfresco dining applications, offering shelter without the need for a column through the table.

- » Leva umbrella models are available in two sizes - 2.7m and 3.2m.
- » Leva umbrellas are square.
- » Wind rated to 120km/hr.
- » Wall mounting, swivel boom and double canopy options available.
- » Installed as a permanent umbrella, Leva canopies can be closed in the event of severe weather.



Aquamoves Leisure Centre, Shepparton VIC

PORTA



CENTRAL SUPPORT PORTABLE UMBRELLA



The Porta umbrella is collapsible, portable and ideal for applications where persistent wind is not a factor. Small and light, Porta is great for street furniture, as well as cafes, restaurants and bars without a permanent alfresco area.

- » The Porta umbrella is 2.1m.
- » Porta umbrella is square.
- » A 38mm diameter stainless steel column will fit through most outdoor tables.
- » Small enough to be moved, yet durable enough to be left up for extended periods. We recommend closing your Porta umbrella if subjected to moderate wind.



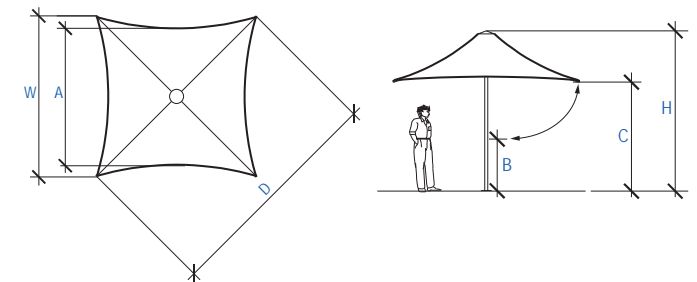
The Rocks, NSW

ARCHITECTURAL UMBRELLA RANGE

CANOPY SHAPE	MODEL NAME/ NUMBER		CANOPY SIZE IN METRES	MAXIMUM CANOPY WIDTH	MINIMUM CANOPY WIDTH	UMBRELLA DIAGONAL OVERALL	OVERALL HEIGHT	UNDER CANOPY CLEARANCE	CLOSED ARMS TO BASEPLATE
			m (area-sqm)	(W) mm	(A) mm	(D) mm	(H) mm	(C) mm	(B) mm
 SQUARE	PORTA	P21	2.1 (3.8)	2100	1900	2950	2750	2000	1055
	CENTRA	CS27	2.7 (5.8)	2700	2300	3780	3350	2400	1340
	CENTRA	CS32	3.2 (8.0)	3180	2700	4455	3350	2300	990
	CENTRA	CS38	3.8 (11.0)	3750	3150	5230	3350	2300	620
	CENTRA	CS40	4.0 (12.7)	4060	3370	5690	3360	2270	410
	CENTRA	CS50	5.0 (21.7)	5055	4515	7090	3660	2400	50
 TRUNCATED SQUARE	CENTRA	CTS43	4.3 (15.7)	4295	3700	5000	3360	2300	750
 HEXAGONAL	CENTRA	CH57	5.7 (22.9)	5640	4940	6485	3360	2150	60
 OCTAGONAL	CENTRA	CO40	4 (11.6)	4050	3610	4370	3360	2400	1090
	CENTRA	CO50	5 (16.9)	4950	4350	5345	3360	2200	545
 SQUARE CANTILEVER	LEVA	LS27	2.7 (5.8)	2700	2300	3780	3540	2250	1190
	LEVA	LS32	3.2 (8.0)	3180	2700	4455	3580	2250	880



UMBRELLA DIMENSIONS



W	MAXIMUM CANOPY WIDTH	H	OVERALL HEIGHT
A	MINIMUM CANOPY WIDTH	C	UNDER CANOPY CLEARANCE
D	UMBRELLA DIAGONAL OVERALL	B	CLOSED ARMS TO BASEPLATE



EST 1936
SHINGLE INN
DECADENT · DELICIOUS · DESERVED

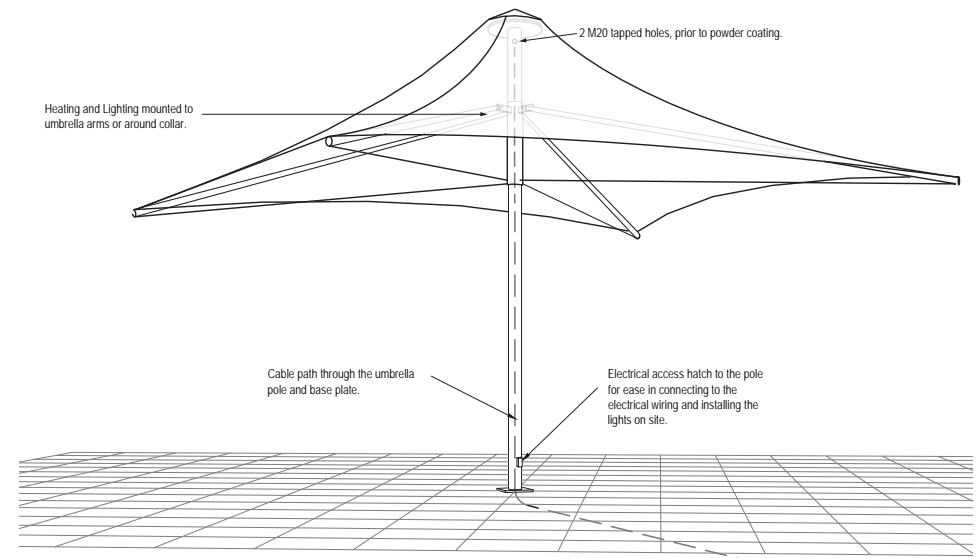
EST 1936
SHINGLE INN
DECADENT · DELICIOUS · DESERVED

**CUSTOMISE
YOUR UMBRELLA**

LED LIGHTING & HEATING

Maximise the use of your umbrella once the sun goes down with a complete heating and lighting system by Celmec.

- » LED lighting - available in Warm White or Colours, LED strip lights or flood lights.
- » Heatray heating systems - available in Infrared or Electric Radiant.
- » Integrated wiring through the columns means no trip hazards for patrons.
- » Can include a wall mounted remote and dimmer system.



COLOURS, PATTERNS & LOGOS

Customise your umbrellas to be as unique as your venue.

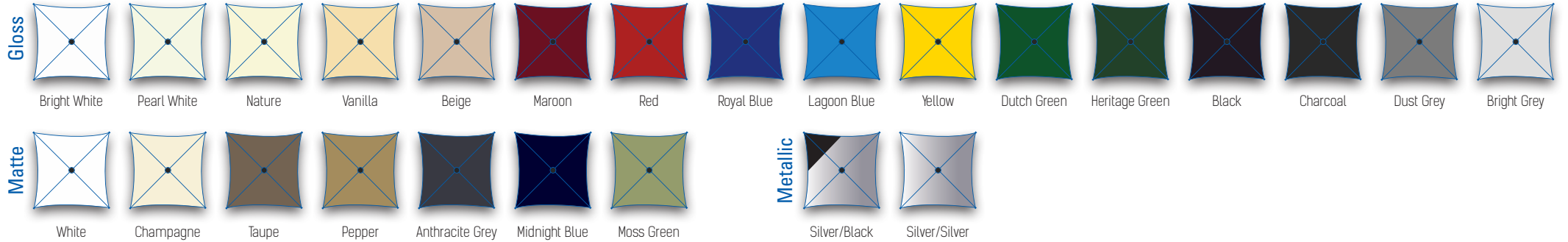
MakMax can offer you bespoke design options;

- » Choose from a range of colours from our premium membrane suppliers.
- » Upgrade your steel columns with bright colours.
- » Add vinyl cut logos to promote your brand.
- » Custom Digital Printing allows for patterns and unique designs.

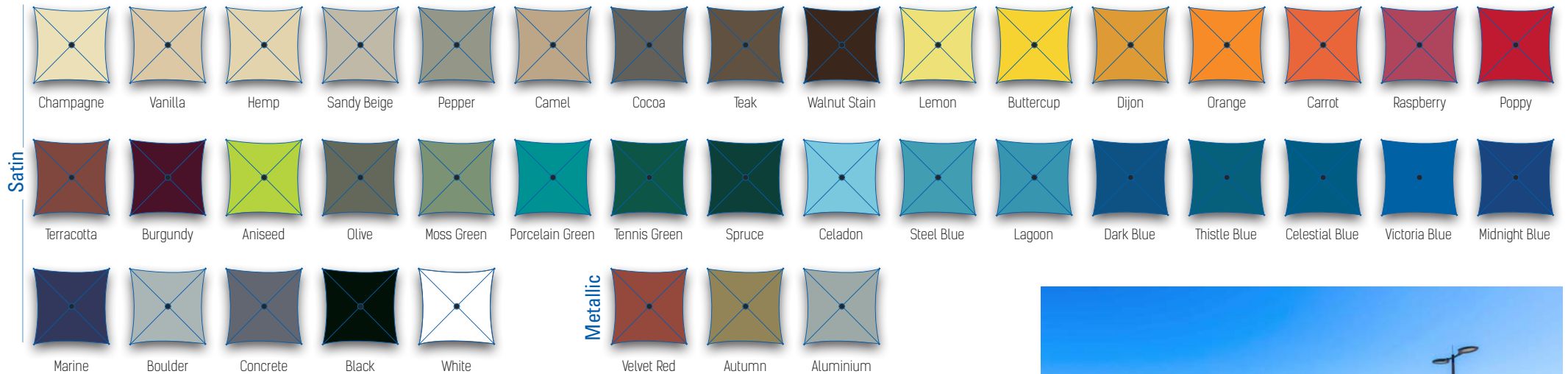


FABRIC & STEEL COLOURS

MEHLER VALMEX® FR580



SERGE-FERRARI SOLTIS 502



Steel Colours - Dulux



GROUND FIXING

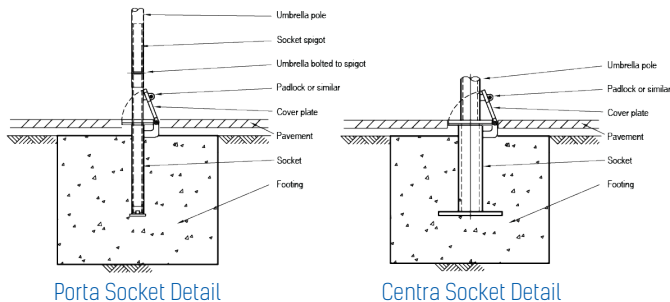
MakMax Architectural Umbrellas are most commonly installed as a permanent structure directly to a slab. We also offer a range of ground fixing options for our Porta and Centra models, providing flexible installation solutions for most locations.

- » Pavement sockets - a semi-permanent option, ideal for cafes, restaurants and pedestrian areas.
- » Concrete Base / Planter Box - heavy enough to keep the umbrella upright in the wind, the concrete bases can be moved with a European Pallet Jack.
- » Deck Bracket - perfect for installing in a wooden deck where deep-set footings are not possible.

PAVEMENT SOCKETS

The pavement socket is installed under the pavement on a footing so that the top of the socket is flush with the pavement.

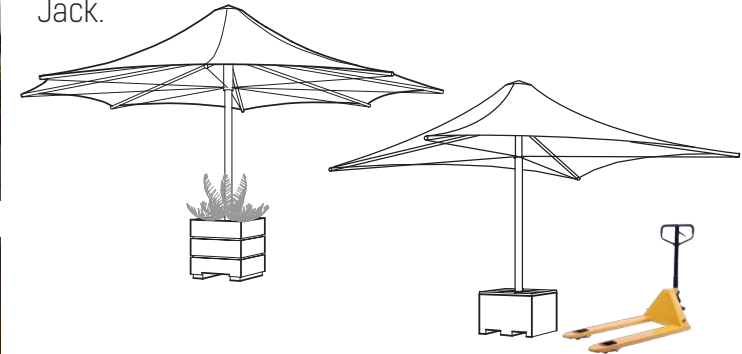
When the umbrella is installed into the socket, the open cover plate is locked onto the umbrella pole cleat with a padlock. This provides security for the umbrella and locks it in place.



CONCRETE BASE / PLANTER BOX

Designed for maximum stability, yet still removable if required, the concrete base or planter box can be formed into multiple sizes and shapes. Design options include bench seating-style wooden slats or a cavity area for plants.

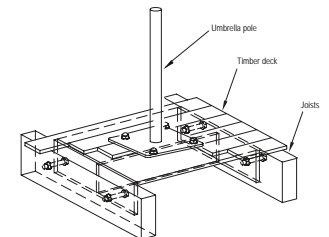
These heavy blocks come with a grooved based to accommodate a manual European-style Pallet Jack.



DECK BRACKET

Installing a Porta or Centra umbrella to a deck area is achieved by affixing a steel deck bracket underneath the deck, and then bolting the umbrella to the plate.

The existing timber deck will need to be checked by a structural engineer prior to umbrella installation.

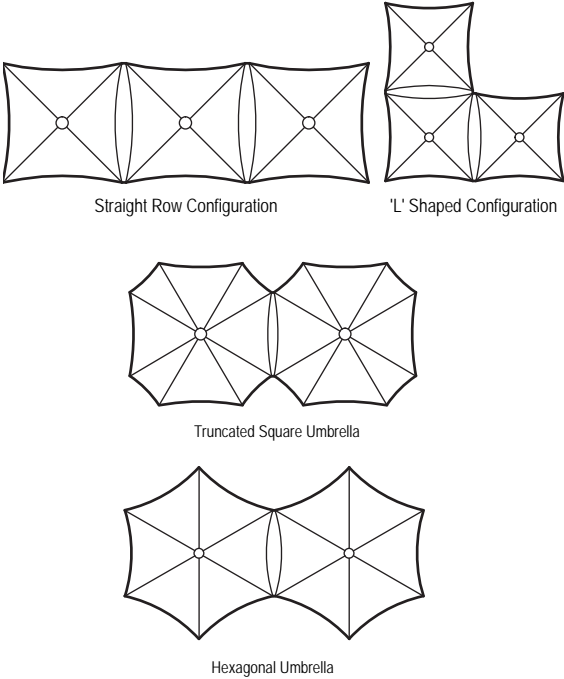
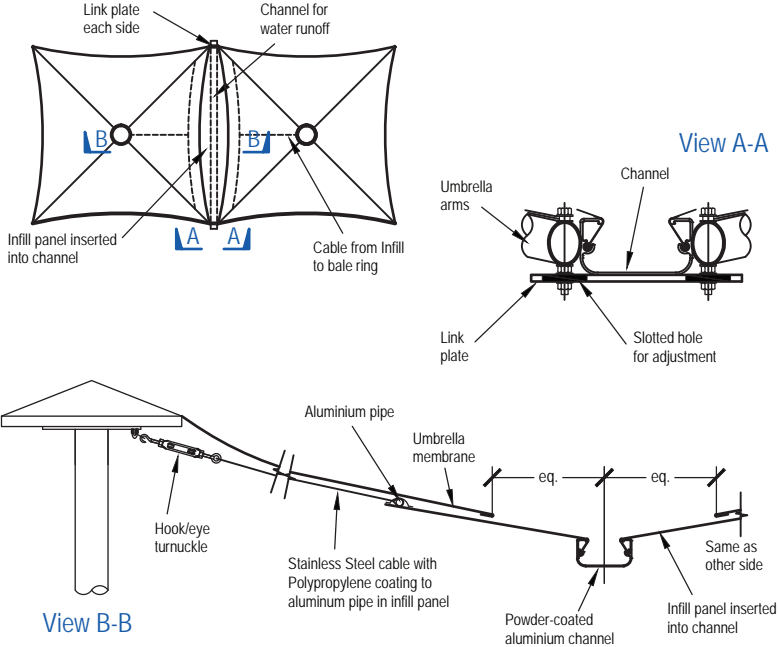
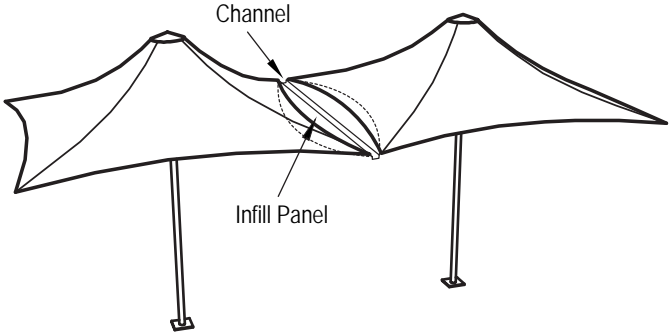


Deck Bracket Fixing Detail

LINKING SYSTEM

Extend the habitable area underneath your umbrella canopies by linking them together. Linking offers even more flexibility in design and coverage area. The MakMax linking system enables individual umbrellas to be joined together, providing expanded all-weather shade and shelter.

- » The MakMax linking system is created using a separate infill section of membrane that secures underneath the umbrella canopies.
- » A powder-coated aluminum channel runs down the centre of the membrane infill to direct rain-water runoff.
- » The standard spacing between umbrellas when linking is 115mm clear arm-to-arm (maximum spacing 900mm).
- » The linking system can be applied to all Centra and Leva square models.
- » The Centra hexagonal and truncated square models can also be linked in special applications.



Linking system channel detail



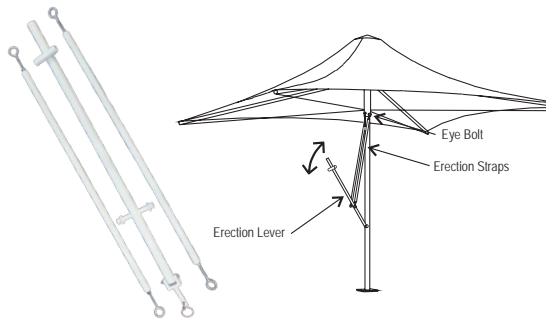
Linked Centra umbrellas with branding on the infill panel

UMBRELLA OPENING KITS

The Centra, Leva and Porta range of umbrellas all offer a closable canopy for safe storage during extreme weather conditions.

Full opening and closing instructions are included in the Umbrella Owner's Manual that comes with each umbrella when installed.

Contact info@makmax.com.au for a replacement umbrella Owner's Manual.



CENTRA OPENING KIT

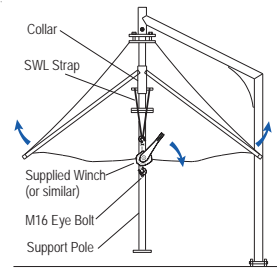
The standard Centra Opening Kit contains an Erection Lever and two Erection Straps. Once attached to the umbrella pole and collar, the lever is used to raise or lower the canopy.

The Opening Kit for larger Centra Umbrellas (CS50 & CH57) also include additional Retaining Bolts to facilitate a multi- step opening procedure.



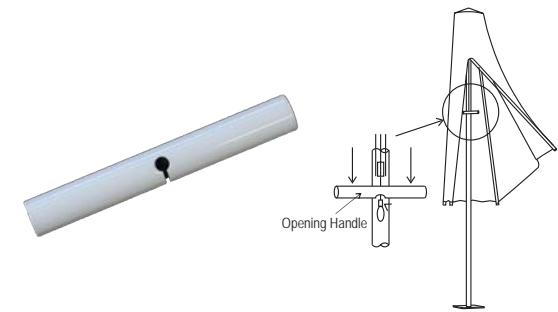
LEVA OPENING KIT

A chain lever block and a SWL strap are used to open and close the LEVA umbrella range. An additional Support Pole is required (supplied with the umbrella) to support the canopy in the closed position.



MakMax Architectural Umbrellas are designed to be permanent structures and do not need to be closed after each use. We do however recommend closing your umbrella canopy in the event of severe weather.

Avoid closing your umbrella when wet and do not leave your umbrella closed for an extended period of time.



PORTA OPENING HANDLE

Porta umbrellas have an in-built cable and pulley system for opening and closing. The Opening Handle is designed to fit the ferrule at the end of the cable. Simply attach the ferrule to the handle and pull down to open the canopy.



UMBRELLA SPECIFICATIONS

MEMBRANE

The tensile membrane canopy is fabricated from long-life, 100% UV stabilised, waterproof, architectural-grade PVC coated polyester fabric with a PVDF finish to both sides.

The canopy panels are high-frequency butt-join welded and reinforced, making them strong, durable and with a smooth, attractive finish. The canopy perimeters are stitched using Tenara® PTFE sewing thread that is unaffected by UV, salt water or pollutants.

The fabric is easy to clean, low maintenance and protected against microbial and fungal attack.

STEEL FRAME

All our steel frame constructions are wind rated, commercial quality and designed to last. The structure employs tubular steel components finished with a four-step steel protection system; abrasive blast to Class 3, application of spray galvanising in aluminium and zinc and two coats of powdercoat.

Choose from a wide range of steel powdercoat colours, or opt for stainless steel.

HARDWARE

All hardware inclusive of nuts, bolts and washers, wire rope cables, rigging screws are stainless steel. Arm end plugs are UV resistant nylon.

Top hats are spun aluminium with polyester powdercoat.

TENSION

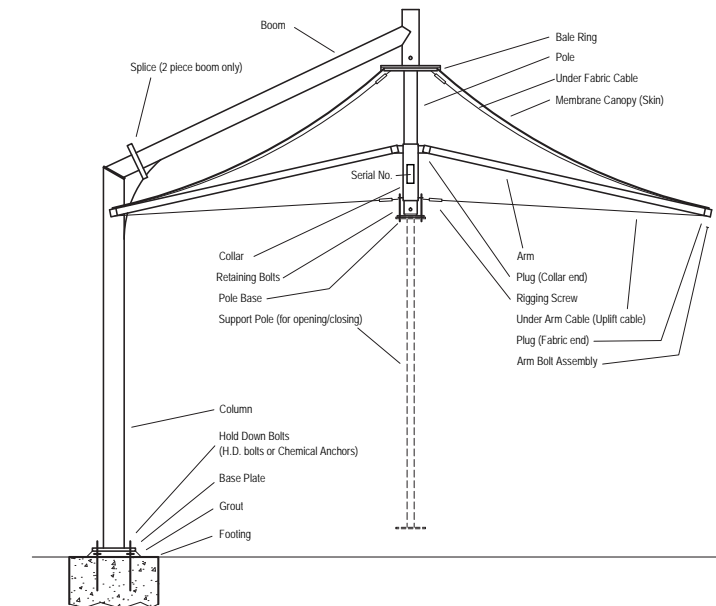
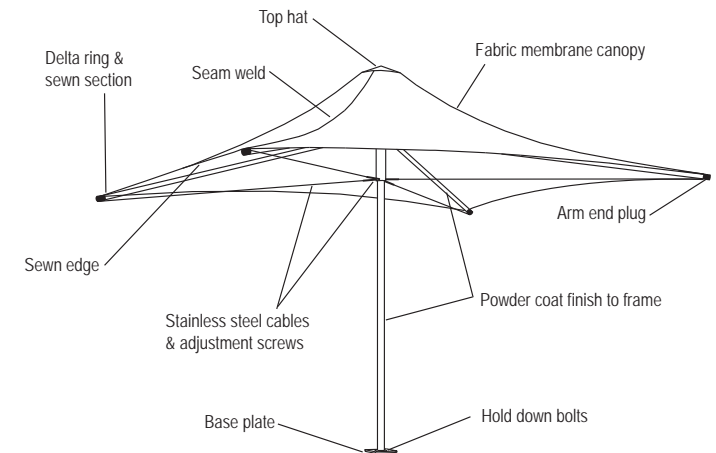
Our architectural umbrellas are tensioned with stainless steel under arm cables. Tension adjustment screws ensure membrane tension can be maintained over the life of the umbrella.

COLLAPSIBLE

The MakMax range of Architectural Umbrellas are engineered and designed to be permanent structures, they do however have the ability for the canopy to be closed when required.

STRUCTURE DESIGN & COMPONENTS

MakMax Architectural Umbrellas are all fabricated in Australia. Structural design is to AS/NZS1170.0, AS/NZ1170.1, AS/NZ1170.2, AS4100, AS3600 and AS1170.4.



MAINTENANCE RECOMMENDATIONS

As a condition of the warranty, your umbrella must be maintained and cleaned regularly. The period and nature of the maintenance requirements depends on the exposure of the umbrella to climatic conditions (rain, hail, wind) and airborne pollutants (leaves, dust, pollutants, bird droppings, sea air, etc).

The recommended period for inspections and cleaning is no longer than 3 months. The umbrella needs to be maintained as often as window glass or a car would need to be inspected and cleaned if kept in the same environment.

CLEANING

Brush down the canopy, frame, stainless steel cables and shackles using a soft brush and fresh, clean water to remove the build up of dust, dirt, insects, spider webs, bird droppings, salt residues, pollution or superficial stains. Work on the most exposed side first.

Spray or sponge cold or lukewarm water with a 1% to 5% concentration of normal pH neutral household liquid detergent on the membrane (dish-washing liquids "gentle on hands" are adequate and will not damage the membrane coating). Wash using a sponge or soft cloth then rinse off with low-pressure clean water to remove dirt and detergent.

Polish frame with a non-abrasive auto polish, if required.

For further cleaning instructions please contact your umbrella installer or email MakMax Australia directly at info@makmax.com.au for details.

IMPORTANT NOTES:

Under NO circumstances are abrasive cleaners, scrubbing brushes, bleach or high-pressure water blasters to be used on the fabric, as these will damage the surface coatings.

The canopy should not be closed immediately after cleaning, allow the membrane to dry fully before closing.

For umbrellas accessories, such as lights or heaters, refer to the manufacturer's maintenance manual for cleaning suggestions.

Some regions have statutory bodies (eg. Environmental Protection Agency, local council authorities, landlords, etc) which issue specific requirements regarding the use of water and/or cleaning agents in outdoor areas. MakMax Australia recommends that a check of the requirements for the site/region be made before undertaking any cleaning works.

PERIODIC INSPECTIONS

Check the fabric membrane for:

- » Tears on the sides and inside of the fabric membrane.
- » Peeling off at the seam welds.
- » Broken yarns and tears at the sewn sections.
- » Small holes, cuts etc in the fabric membrane.
- » Abrasion of the fabric (against tree branches, lights, etc).
- » Heavy build up on the surface (dead leaves, insects, pollution, sea spray etc).
- » Tension in the cables should be taut (not sagging down).
- » Tension in the fabric should be 'drum like' (when hit with an open hand) and should never be 'slack'.

Check the frame for:

- » Fraying of cables and webbing loops.
- » Scratches and damage to the powdercoat finish.
- » Excessive distortion, damage and corrosion.
- » Tightness of connections.
- » Tightness of hold down bolts at the base.
- » Corrosion to hold down bolts.
- » Crumbling of grout under the base plate.

When carrying out the inspections if any signs of the above are noticed, please contact your umbrella installer or email MakMax Australia directly at info@makmax.com.au further advice.

SPECIFIC INSPECTIONS

Specific inspections should be performed immediately after an unusual or exceptional event, which includes:

- » Storm with winds over 70 km/h.
- » Hail or heavy snowfall.
- » Impact by heavy objects that may cut or abrade the fabric and webbing.
- » Impact by heavy object that may damage or overstress the steel frame.
- » Vandalism.
- » Ponding of stormwater, snow or hail on the fabric membrane.
- » Lightning strike.
- » Earthquake.
- » Initial erection and tensioning of the umbrella.





Victoria Park Golf Course, Brisbane QLD



KFC Kangaroo Point, QLD



Henry Jones Art Hotel, Hobart TAS



SkyCity Adelaide, SA



Australia Square, Sydney NSW



Caves House Hotel, WA



King Street Wharf, Sydney NSW

MakMax Australia is the market leader in the design, engineering, fabrication and installation of Architectural Umbrellas, Standard / Modular Shade Structures and Custom Fabric Structures for a variety of applications. We combine architectural designs with engineering solutions, ensuring your project quality is second to none.

THE MAKMAX AUSTRALIA DIFFERENCE;

- » We provide you with an in-house engineering and design team.
- » Local manufacturing; our state-of-the-art fabrication facility is located at our Brisbane Headquarters.
- » A Commitment to Quality, Safety and the Environment; ISO certification ISO 9001, ISO 14001, ISO 45001.

For more information on our capability and design solutions contact our team.

Design. Engineer. Fabricate. Install.

MakMax Australia

1300 625 629 | info@makmax.com.au | www.makmax.com.au



OTHER MAKMAX AUSTRALIA BROCHURES

