

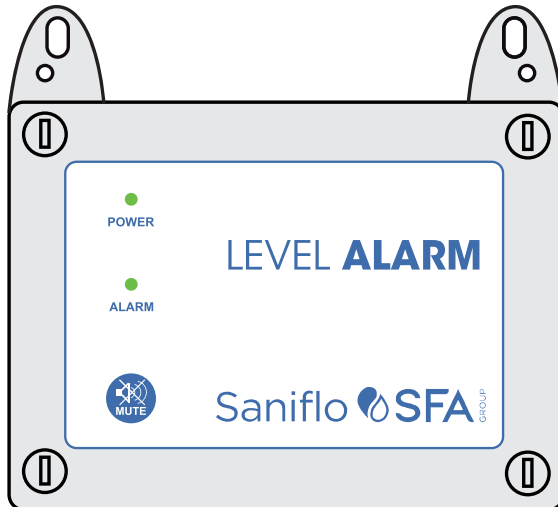
SANI **ALARM** INTERLOCK

Tel: 1300 554 779 (AU)

Tel: 0800 107 264 (NZ)

OPERATION MANUAL

MODEL: SANI12661



WELCOME TO UNDERSINK/SULLAGE CHAMBER ALARM

Your Under-sink/Sullage Chamber Alarm reflects the superior quality and attention to detail in design, engineering and manufacturing that has distinguished SANIFLO Products for decades. The controller incorporates the very latest in micro-processor technology, ensuring you, the owner/operator, of many years of functional, reliable and 'user friendly' operation.

Please read this manual prior to installation and operation of the controller.

CONTENTS

SAFETY	2
FUNCTIONAL OVER VIEW	3
OPERATIONS	3
SCHEMATIC	3
CONNECTION DETAILS	4
MAGNETIC FLOAT SWITCH FITTING GUIDE	5
WIRING DIAGRAM	12
WARRANTY	13

WARNING: All electrical connections must be carried out by a suitably qualified and registered electrician

SAFETY

- Prior to Installation, ensure power supply is isolated.
- Power supply must be RCD Protected. (Qualified Electrician to determine appropriate amp rating.)
- Electrical connection to the panel must be carried out in accordance with 'Connection Instructions', see page 4.
- Addition or modifications to the control panel are not permitted and will void warranty.
- The controller is not intended for use by children or infirm persons without supervision.
- Repairs to the Controller must only be carried out by a suitably qualified Electrician

UNDERSINK / SULLAGE CHAMBER ALARM

SANIALARM INTERLOCK - WITH VALVE & DISHWASHER INTERLOCK

FUNCTIONAL OVERVIEW

In addition to both audible and visual alarms being activated when a high level occurs, the controller is designed to provide dishwasher and mains water interlock. This ensures that no further 'inflow' to the chamber from the Dishwasher occurs, until the level has subsided.

OPERATION

In the event of 'high level', the high level light will commence flashing, the audible buzzer will commence sounding, the valve, located on the mains water line, will close and the power outlet, into which the dishwasher is plugged, will automatically switch off.

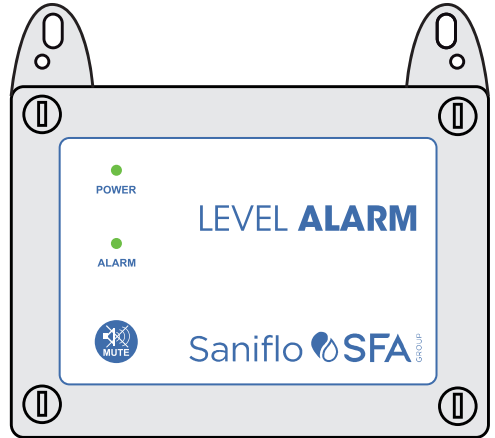
NOTE: DO NOT PLUG PUMP INTO THIS POWER OUTLET

The high level indicator light will remain flashing until the level in the chamber subsides.

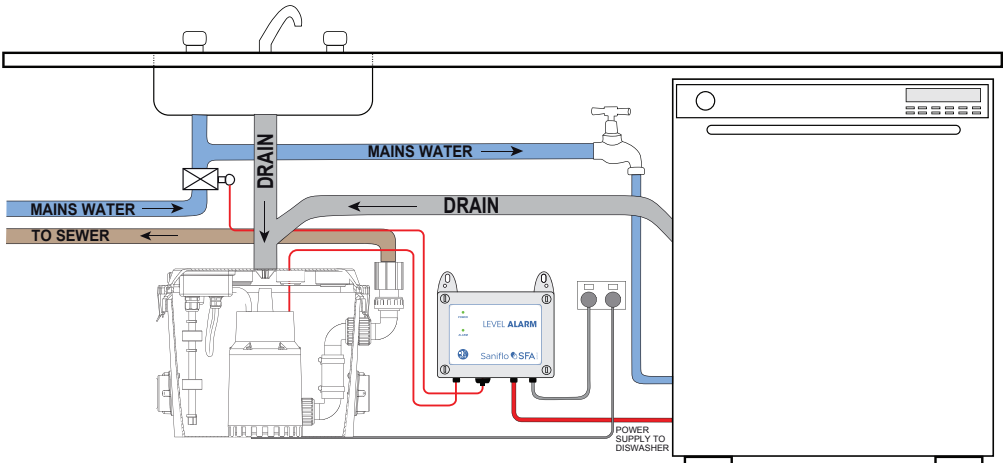
The audible buzzer can be muted by way of the mute button located on the front of the panel.

The valve will remain closed and the power to the dishwasher will remain off until the water level in the chamber subsides.

Another feature of the unit is, if the power supply to the controller is switched off, the valve immediately closes.



SCHEMATIC



UNDERSINK / SULLAGE CHAMBER ALARM

SANIALARM INTERLOCK - WITH VALVE & DISHWASHER INTERLOCK

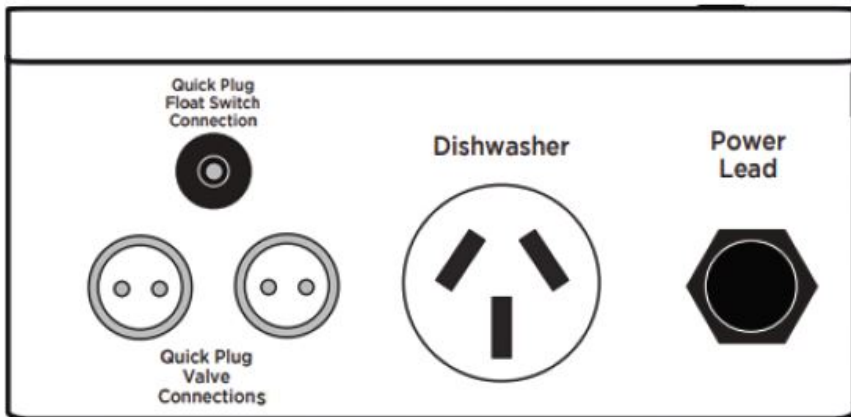
CONNECTION DETAILS

1. Ensure power to the unit is disconnected before carrying out installation.
2. Mount Panel in a dry area and in a vertical position so that cable connections are on the underside of the panel.
3. Ensure valve is installed in accordance with local Plumbing Codes.
4. Install Float Switch in tank as indicated in supplied fitting guide.
5. Plug dishwasher into power outlet provided. (See Figure 1)

NOTE: DO NOT PLUG PUMP INTO THIS POWER OUTLET

6. Plug the unit's power lead into RCD protected GPO, and switch power on.
7. Your unit is now ready for use.

Figure 1

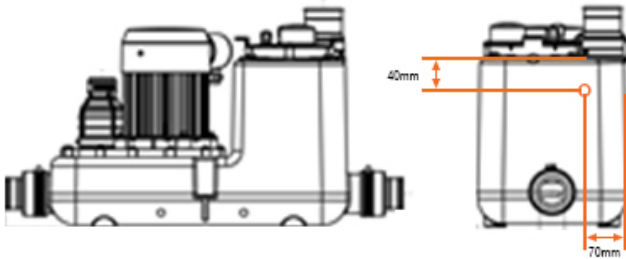


SANIALARM INTERLOCK MAGNETIC FLOAT SWITCH

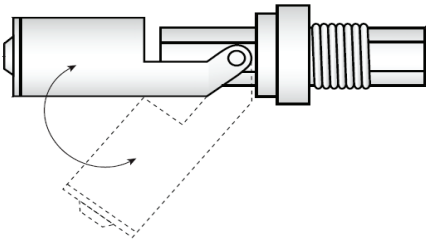
FITTING GUIDE

USE MAGNETIC FLOAT SWITCH SUPPLIED WITH SANIALARM INTERLOCK ONLY

SANICOM 1

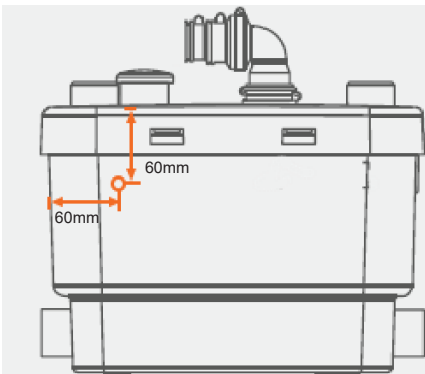


Drill a 16mm hole and insert the probe here, make sure the hole is 40mm down from the top of the grey case and 70mm from right edge.



Please ensure that the magnetic float switch is positioned as shown, with the arm swinging down inside the pump case

SANIVITE / SANISPEED +



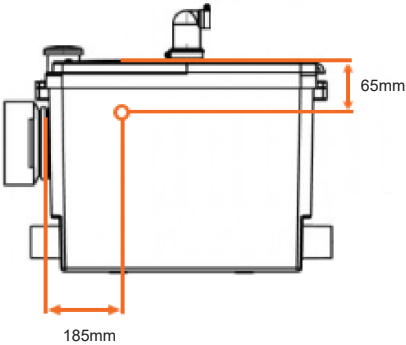
Drill 16mm hole 60mm in from the LH side of the case by 60mm down from the top of the lid to insert the magnetic finger float switch

SANIALARM INTERLOCK MAGNETIC FLOAT SWITCH

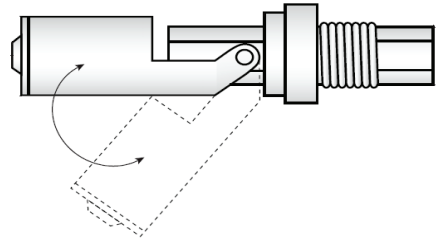
FITTING GUIDE

USE MAGNETIC FLOAT SWITCH SUPPLIED WITH SANIALARM INTERLOCK ONLY

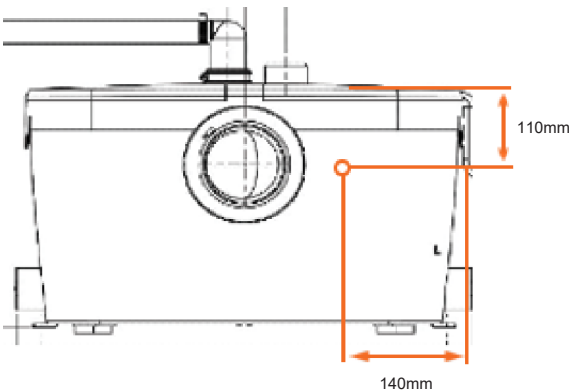
SANIPACK PRO UP



Drill a 16mm hole 185mm from the LH side of case by 65mm down from the top of the lid to insert the magnetic finger switch



SANIACCESS 3



Please ensure that the magnetic float switch is positioned as shown above, with the arm swinging down inside the pump case.

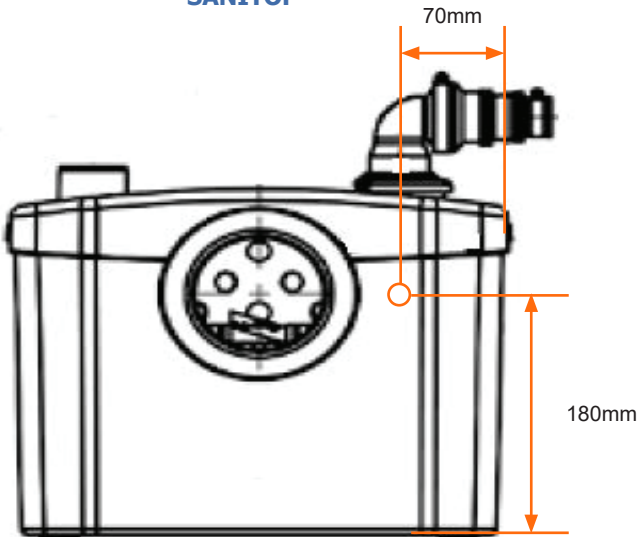
Drill a 16mm hole and insert the probe here, make sure the hole is 110mm down from the top and 140mm from the right side.

SANIALARM INTERLOCK MAGNETIC FLOAT SWITCH

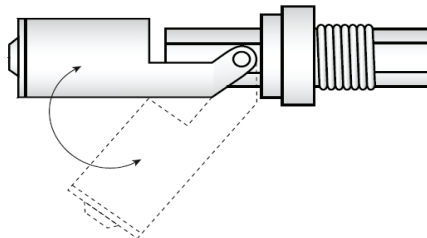
FITTING GUIDE

USE MAGNETIC FLOAT SWITCH SUPPLIED WITH SANIALARM INTERLOCK ONLY

SANITOP



Drill a 16mm hole and insert the probe here, make sure the hole is 180mm up from the bottom of the case and 70mm in from the right edge



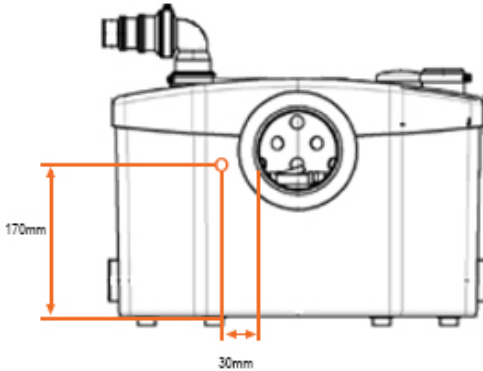
Please ensure that the magnetic float switch is positioned as shown above, with the arm swinging down inside the pump case.

SANIALARM INTERLOCK MAGNETIC FLOAT SWITCH

FITTING GUIDE

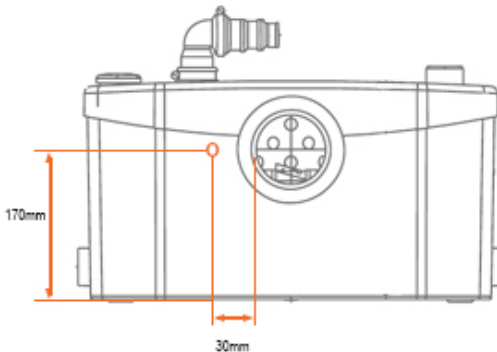
USE MAGNETIC FLOAT SWITCH SUPPLIED WITH SANIALARM INTERLOCK ONLY

SANIPRO

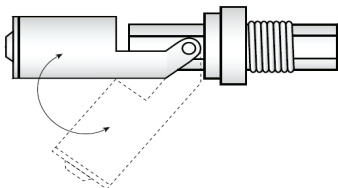


Drill a 16mm hole and insert the probe here, make sure the hole is 170mm up from the bottom of the case and 30mm from the inside edge of the pan connection opening.

SANIPLUS



Drill a 16mm hole and insert the probe here, make sure the hole is 170mm up from the bottom of the case and 30mm from the inside edge of the pan connection opening.



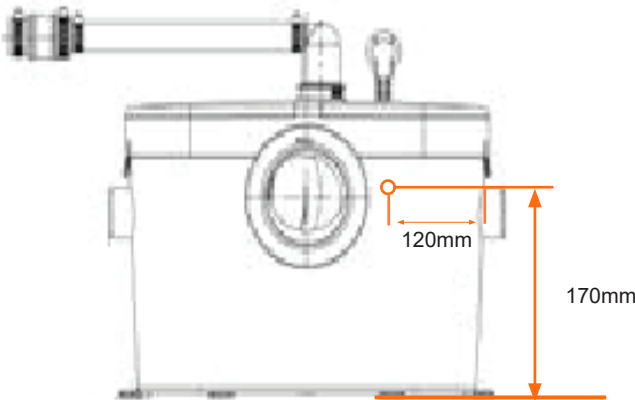
Please ensure that the magnetic float switch is positioned as shown, with the arm swinging down inside the pump case.

SANIALARM INTERLOCK MAGNETIC FLOAT SWITCH

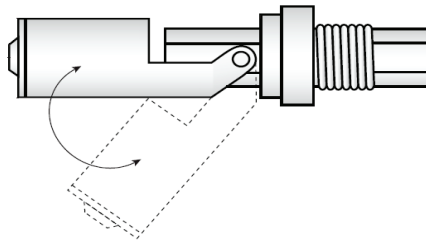
FITTING GUIDE

USE MAGNETIC FLOAT SWITCH SUPPLIED WITH SANIALARM INTERLOCK ONLY

SANIAACCESS 2



Drill a 16mm hole and insert the probe here, make sure the hole is 170mm up from the bottom and 120mm from the right side.



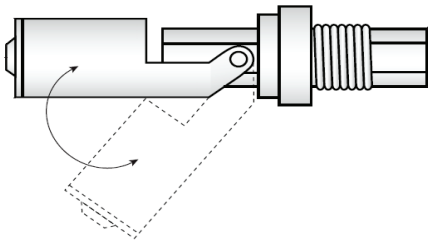
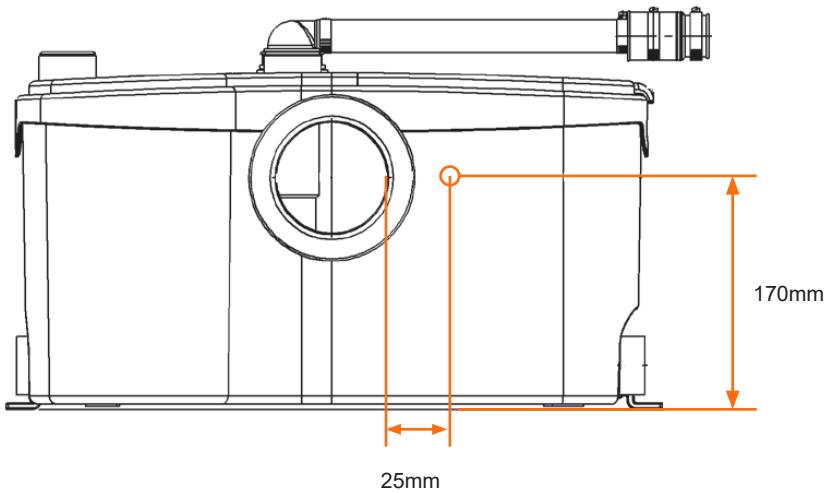
Please ensure that the magnetic float switch is positioned as shown above, with the arm swinging down inside the pump case.

SANIALARM INTERLOCK MAGNETIC FLOAT SWITCH

FITTING GUIDE

USE MAGNETIC FLOAT SWITCH SUPPLIED WITH SANIALARM INTERLOCK ONLY

SANIBEST PRO



Drill a 16mm hole and insert the probe here, make sure the hole is 170mm up from the bottom of the case and 25mm from the inside edge of the spigot connector opening.

Please ensure that the magnetic float switch is positioned as shown above, with the arm swinging down inside the pump case.

SANIALARM INTERLOCK

FITTING GUIDE



DISCONNECT ELECTRICAL POWER BEFORE WORKING ON THE PUMP

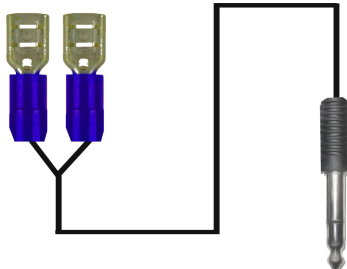
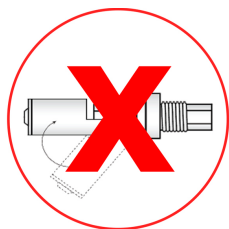
SANICUBIC 2 PRO



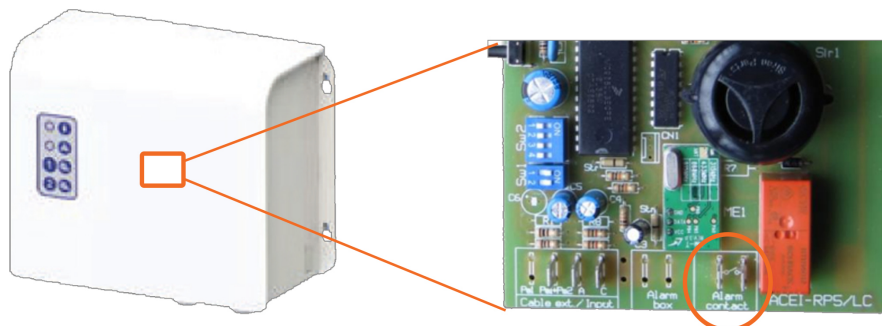
SANICOM 2



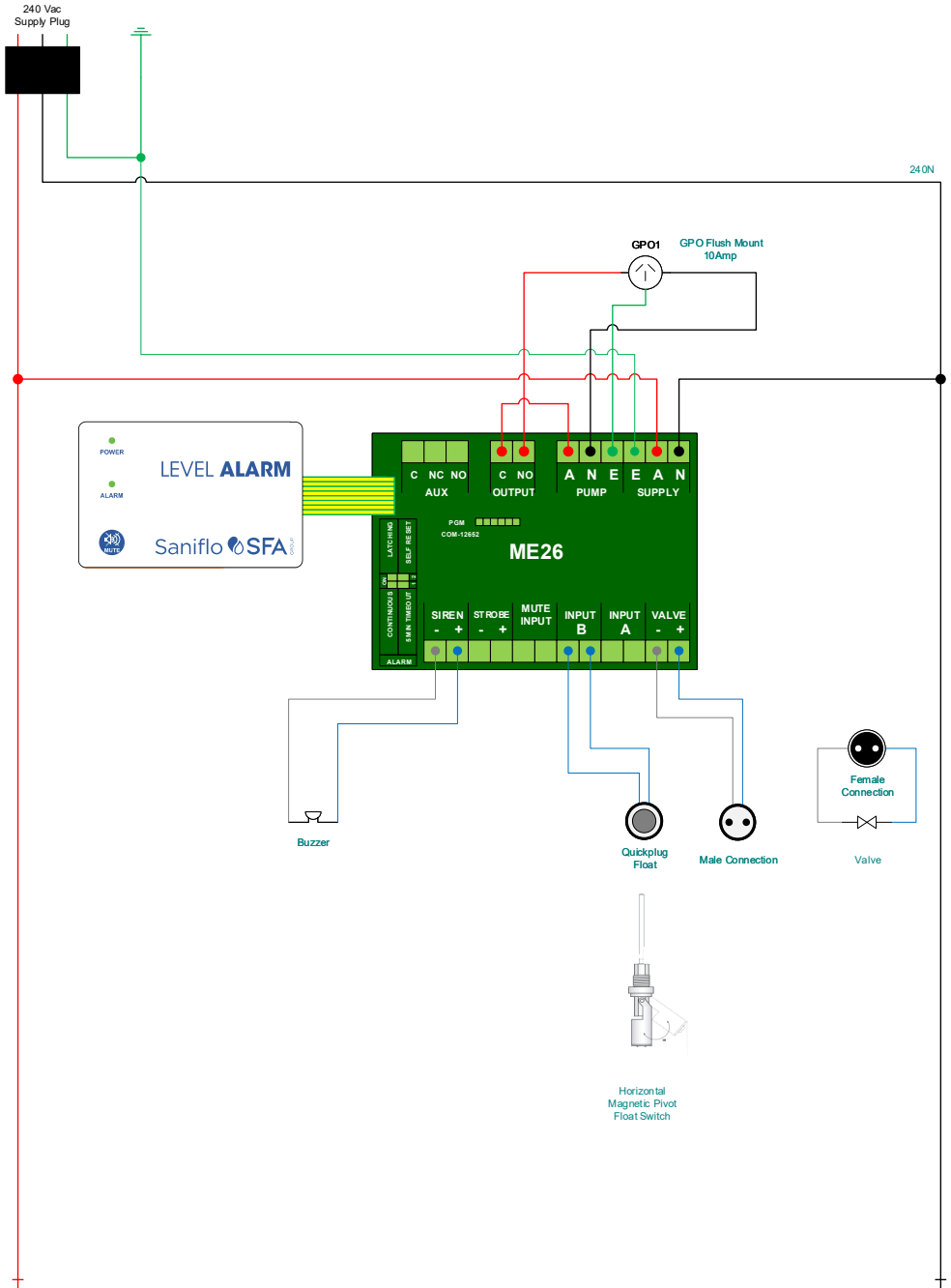
To connect Sanialarm Interlock, first remove magnetic float switch from quick plug cable and attach spade connectors in its place.



Connect from Sanialarm interlock to spade terminals marked "Alarm contact" on Circuit board inside external control panel



CIRCUIT DIAGRAM



WARRANTY CONDITIONS

This device is guaranteed for 2 years from the date of purchase and is subject to:

- ACL(2) 2010 in Australia, or NZ CG Act 1993 in New Zealand, if used for personal, domestic or household use
- Installation in strict compliance with manufacturers installation manual in the product box

This warranty does not cover the following which remain at the risk, cost and responsibility of the owner:

- Costs of travel and transport or insurance of the device
- Device installed outside 50km radius from an accredited Saniflo Agents Office
- All costs necessary to safely access and replace the installed device including costs of additional plant equipment, materials, handling and/or safety equipment
- This warranty is not transferable
- This warranty shall not apply when the product is sold or installed outside Australia or New Zealand

NOTE: Warranty only applies when the Sanialarm Interlock is used with Saniflo SFA products