

Fully pre-assembled complete with baffle

Septic Tank

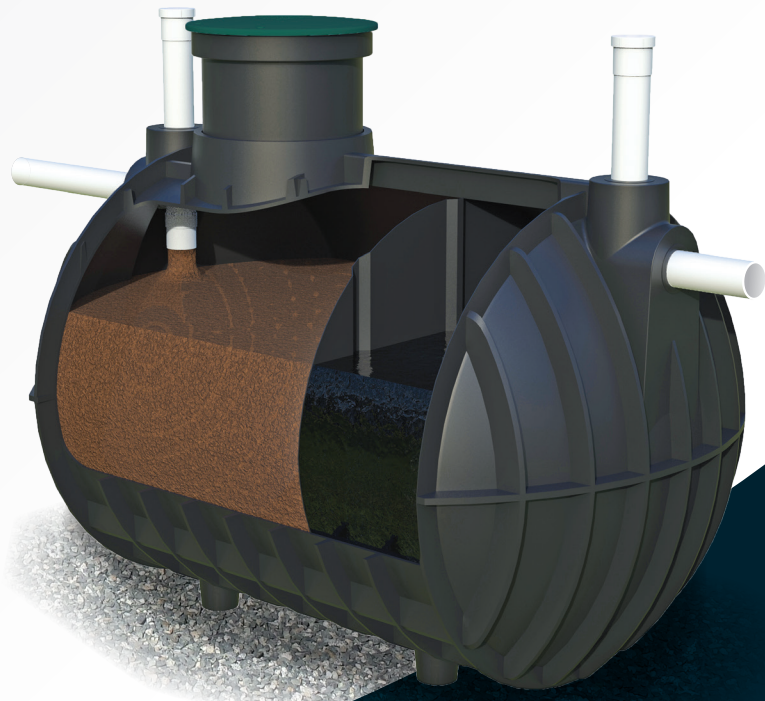


Approved VIC, SA & NSW

These all new, ultra-strong, low profile septic tanks have passed the stringent test of AS/NZS 1546.1 certification with flying colours.

OUTSTANDING FEATURES AND BENEFITS ARE:

- **10 minute hook-up**
fittings and baffle are pre-assembled
- **Australian manufactured**
offering you maximum support and service
- **One-piece tank with lifting lugs**
lightweight and easy to handle
- **Self-anchoring**
does not require concrete
- **Low profile design**
minimal excavation depth

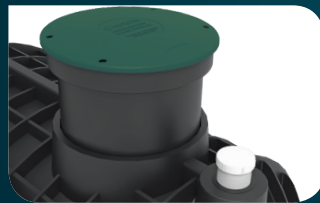


Pictured with riser installed

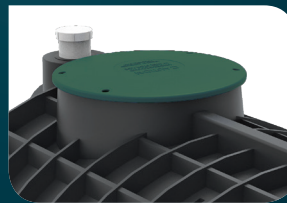
- ◆ 3,100ltr
- ◆ 4,550ltr



Inlet and outlet fittings come pre-assembled for a 10 minute hook-up



530mm riser available
*Optional extra



Lid suitable for vehicle traffic, tested to 500kg loading



BSI Certified Product
AS/NZS 1546.1:2008
BMP 650823
Australian/New Zealand Standards

Compare the Difference

SEPTIC TANK FEATURES	 POLYMASTER	 OTHER POLY	 CONCRETE
Pre-assembled fittings and baffle	✓	✗	✓
10 minute hook-up time	✓	✗	✗
Lightweight	✓	✓	✗
Transport to site on a standard ute with drop sides and lift into position with a small excavator	✓	✓	✗
Only small installation machinery required. Suits limited access sites	✓	✓	✗
No expensive crane required	✓	✓	✗
Extremely tough and durable design, can withstand knocks and bumps during installation	✓	✗	✗
Small diameter riser = much easier to fit	✓	✗	✗
500kg load-rated manhole cover with tamper-proof bolts. Easy to seal against water ingress	✓	✗	✗
Unique design, self-anchored - no concrete required	✓	✗	✓
Low profile tanks = easier to install in rocky & higher water table conditions	✓	✗	✗

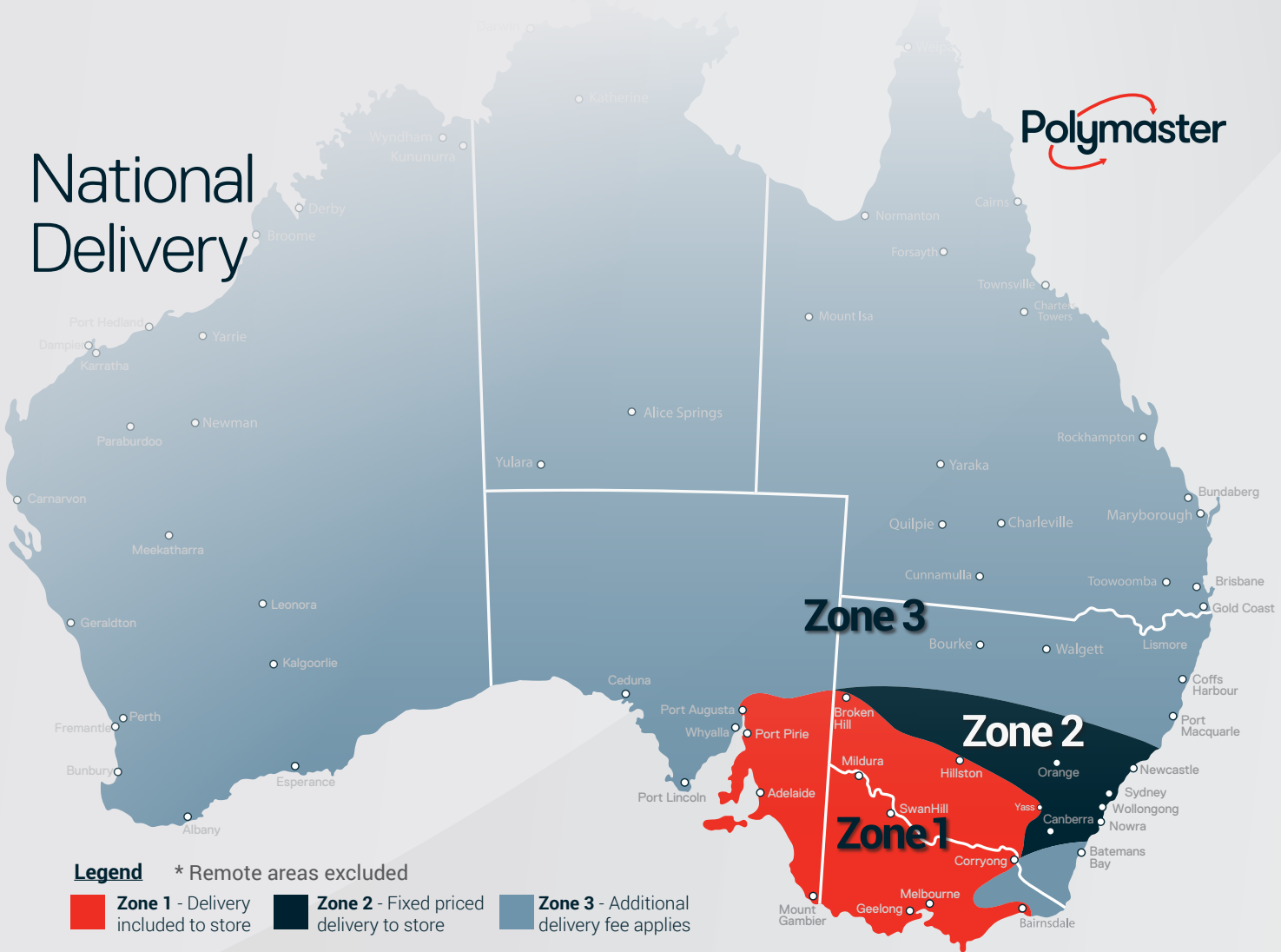
• **15 YEAR DESIGN LIFE**

• **10 YEAR MANUFACTURER WARRANTY**



Visit our website for more
 → polymaster.com.au

National Delivery



Legend * Remote areas excluded

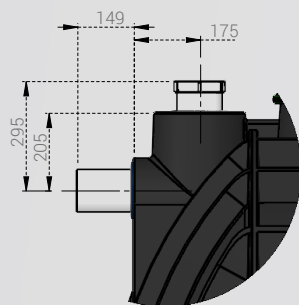
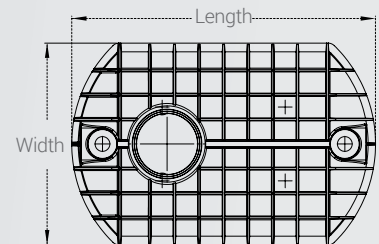
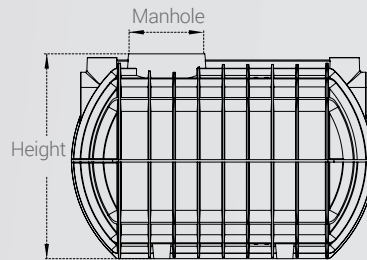
- Zone 1** - Delivery included to store
- Zone 2** - Fixed priced delivery to store
- Zone 3** - Additional delivery fee applies

Specifications

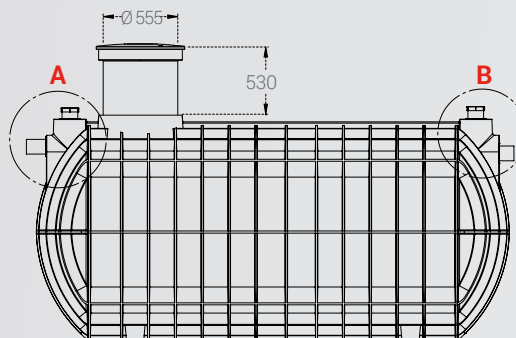


CODE	CAPACITY	NO. OF PERSONS*	DIMENSIONS (mm)	Manhole (mm)
ST3100	3,100 Ltr	1-5 people	2450L x 1640W x 1665H	Dia 555
ST4550	4,550 Ltr	6-10 people	3520L x 1640W x 1665H	Dia 555
URRM	Optional riser extension 555W x 530H			

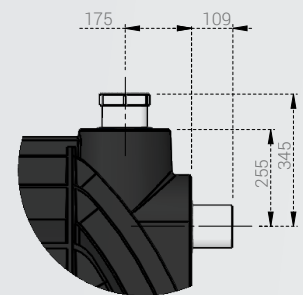
* Number of persons is approximate, please check with your local council



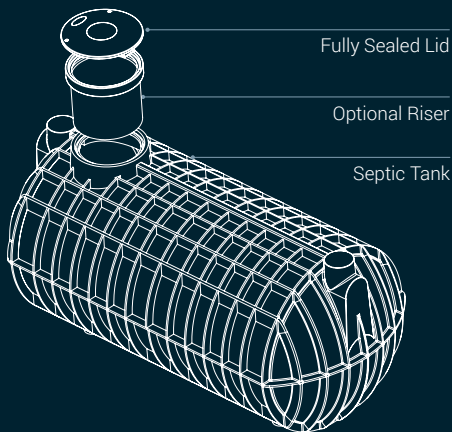
DETAIL A INLET



SHOWN WITH RISER



DETAIL B OUTLET




“ Not all suppliers are the same and I want to compliment your company on the level of service we have received. From the price supplied...and follow up phone call from customer service, your offer of help and warranty advice was welcomed. I just want to commend you on your great customer service. Thank you. ”

- Sarah, Strathfieldsaye

Download the **Septic Tank Installation Guide** online at polymaster.com.au

→ 1800 062 064
→ polymaster.com.au

Follow us  Polymaster Group

Polymaster