

www.unifold.com.au



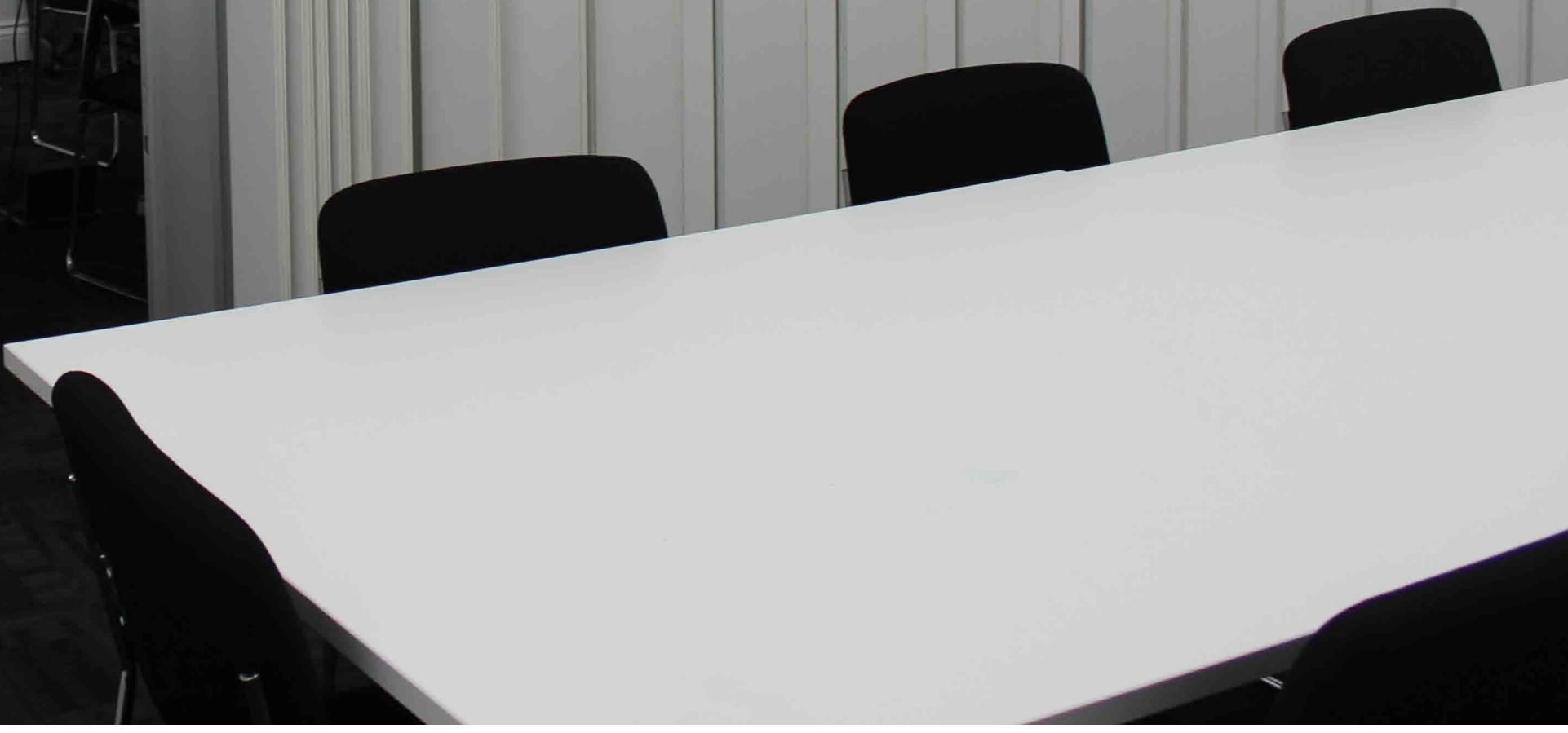
Unifold Holdings Pty. Ltd.

Head Office:
26-28 Chetwynd Street, Loganholme QLD 4129
PO Box 3440 Loganholme 4129
Tel: (07) 3806 2899 Fax: (07) 3806 2855
Email: sales@unifold.com.au

follow us at



FOLDING DOORS



Contents

Soundguard Doors	05
Specifications	06
Practicality	07
Acoustic Solution	08
P-Series	09
Specifications	10
Warranty	11
Order Form	14

About Us

Unifold is an Australian owned company with decades of experience in the design and manufacture of acoustic movable partitions and accordion doors. We are proud to serve a national and international customer base, working with some of the best tier 1 and 2 builders all around Australia. Our customers can count on our accessibility and willingness to assist, from their first enquiry right through to installation and onwards.

We've been making acoustic dividing products since 1984. Fast forward to today and our culture is very much the same although we're not just talking folding doors. We now have a range of high quality operable wall and glazed products. Over the years we have evolved to become more than just a manufacturer. We design, consult, engineer, install and maintain. We look forward to being of service to established and new customers seeking a quality, custom solution to their partitioning and acoustic management needs for many years to come.



Values



RESPECT

We respect and value our customers and team mates alike, and the contribution that they make.



INTEGRITY

We act fairly, ethically and professionally in all we do.



TEAMWORK

We combine our energy, skills and resources to deliver the best achievable results.



PERSEVERANCE

No matter how difficult or challenging the task, we finish what we started.



CONSISTENCY

Constant effort and continuous improvement to providing only the best quality workmanship and customer service.



CULTURE

We check our egos at the door, committed to supporting our customers whilst creating a healthy, fun and productive work environment.

The Unifold Difference

We are proud to serve a national and international customer base, supplying our products throughout Australasia. Many of our customers have utilised our products for years over multiple projects, appreciative of the Unifold culture for customer service excellence. This commitment includes offering flexible lead times, rapid turnaround time for quotations and delivery, expert advisory, a solid factory warranty and prompt service and repairs. Our customers can count on our accessibility and willingness to assist, from their first enquiry right through to installation and onwards.

Unifold is positioned to manage small and large projects. Our broad scope of works means our customers can procure a diverse range of complete products from the one supplier, all manufactured and installed to equally high standards.

As a testimony to the Unifold difference, the company has been a finalist for Progressive Australian Business Awards and has been awarded Australian Design Awards. In 2009 we were nominated as an outstanding supplier for the National Public Building Awards. In an effort to do our part for a more sustainable future, we have become members of the Green Building Council of Australia.

Unifold intends to continue on our proven path to longevity and success.

We provide high quality operable wall, folding door and glazed products combined with exceptional customer service.

From the design and manufacture stages through to installation and support we promise to be professional, honest and customer focused.

Our aim is to build a great business on a great reputation.

Soundguard Doors

Application

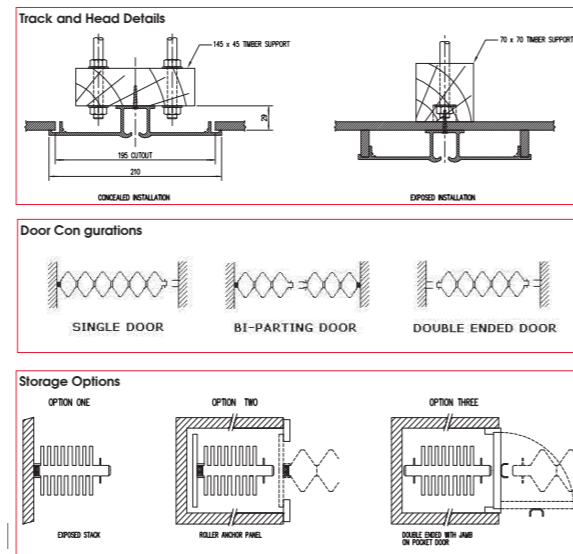
The Soundguard Acoustic Accordion Doors are the perfect solution for spaces where a quick acoustic or visual barrier is needed. Schools, offices, meeting rooms, and even homes can benefit from the ease of use and acoustic separation that is provided by Unifold's line of Soundguard Accordion Doors.

Sound Reduction

The Soundguard Acoustic Accordion Doors are the most effective sound rated Accordion doors in Australia. Soundguard doors are available in two different ratings; STC 34 and STC 40, both of which are well above the normal stud-wall sound ratings (approx. STC32). Soundguard-34 would be sufficient to reduce the noise level of a conversation to a muffled noise. Should more privacy be required or amplification used, Soundguard-40 is recommended.

Versatility

The manufacturing process allows for the wide selection of finishes including; various vinyl finishes, timber veneers and laminates.



Specification

Product

Accordion door will be Unifold Soundguard-34/40. Manufactured by Unifold Pty Ltd and installed by an approved representative.

Description

A propriety system comprising an overhead track and carriers supporting panels which are linked to provide a full partition-type enclosure and which may be opened by sliding and stacking on the side(s) of the opening, inclusive of the operating gear, hardware and accessories.

Construction

The door will be constructed with a series of 145mm wide Medium Density Fibreboard (MDF) panels with selected outer finish. Panels are joined by continuous flexible hinges of required thickness for sound ratings. Soundguard-40: doors include Continuous Acoustic material to achieve the required STC rating.

Operation and Suspension

The doors are top supported, manually operated and hung from an extruded aluminum track without floor tracks or guides.

Carriers

The door is fitted with Acetal coated ballbearing wheels at every post (every 300mm). Four (4) wheels on leading stiles and two (2) on intermediate carriers.

Module Spacing

The centre posts are spaced by two full length spacers at the top and bottom of the door to ensure even spacing of modules when in closed position.

Acoustics Performance

The door to have a minimum Sound Transmission Class of STC 34/STC 40 to AS1276. A test report, to AS1194 section 3 clause 2.7, from an independent testing authority showing that a test specimen of the divider has attained the specified rating.

Technical Data		
	Soundguard 34	Soundguard 40
PANEL THICKNESS	9mm	12mm
PANEL WIDTH	145mm	
STRUCTURE	MDF	
FINISHES	Timber Veneer, Vinyl or Laminates	
HINGES	Continuous UV-Stabilised PVC	
WHEELS	Nylon coated Ball Bearing	
TRACK	Extruded Aluminium Track fit top supported	
TRACK SIZE	210mm x 38mm	
SEALS	3 Ply Vinyl	2 Ply Vinyl & Rubber
HARDWARE *	Aluminum Handles, Latch	
LOCK	Whitco 860317 (Optional)	
STC RATING	34	40
STACK DEPTH	Approx. 12% of opening width	15% of opening width
WEIGHT	20kg/m ²	25kg/m ²
MAX. HEIGHT	3000mm	
MAX. OPENING	No restriction	
USE	Commercial	

* (Standard)

Applications	
Soundguard Doors can be used in situations, where a sound barrier between two areas is required.	
SCHOOLS	<ul style="list-style-type: none"> Learning areas Libraries Performing arts
CLUBS	<ul style="list-style-type: none"> Separation of gaming areas Dining Areas Bars and Bistros
COMMUNITY HALLS	<ul style="list-style-type: none"> Dance and Martial Arts classes Functions Child minding
CHURCHES	<ul style="list-style-type: none"> Bible Studies Sunday School Youth Activities
OFFICES	<ul style="list-style-type: none"> Conference Rooms Board Rooms Adjoining Offices

Type	Sound Rating	
	dB (STL)	STC
Soundguard -34	40.4	34
Soundguard -40	43.0	40

Note dB figure is a 9-point average in the range 630Hz-4000Hz



Practicality

Only one person is required to operate the doors. Large or very high doors are especially easy to operate due to the rigid construction of the door. The extra weight load on the ball-bearings trolleys provide a smooth operation. Soundguard Accordion doors are suspended from an aluminum overhead track and no floor tracks are required.

Creating Space and Controlling Noise

Soundguard – The Acoustic Accordion Doors are the ultimate in space division, where high noise control, ease of operation, durability and style is expected.

All Australian Designed and manufactured, the Soundguard Acoustic Accordion Doors are highly regarded and accepted amongst Architects and Government bodies.

School Acoustic Solution

Unifold Soundguard Accordion Doors have been a long time favourite of schools and offices around the world. The effortless ease to slide open and close allows Teachers to move to and from each room without disturbing students whilst in class. The SG Acoustic Accordion Doors are perfect for various types of rooms including;

- Reading
- Homework
- Nursing Bay
- Staff

This is just another quality Unifold product that will reduce sound and create space in your school.

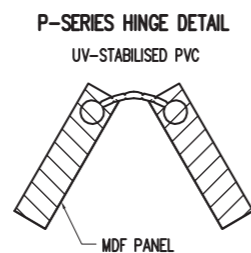
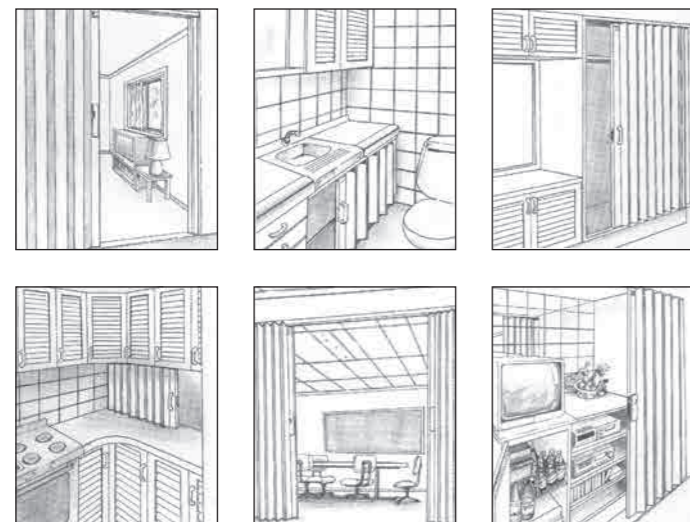


P-Series



Description

Unifold P-Series door utilizes durable, UV-stabilised PVC hinge. The hinges are housed within a matching ball profile cut for the full length of a panel. This hinge has been designed to withstand continuous use in any climate type. The durability of the PVC hinge is ensured with a minimum wall thickness of 1mm.



- Standard Size Doors
- Room Dividers
- Bathroom
- Wardrobes
- Laundry
- Kitchen
- Conference Rooms
- TV - Bar Cabinets

Specification

Product

The Folding door is manufactured by Unifold Holdings Pty Ltd and installed by an approved representative.

Construction

The door is manufactured with medium density fibreboard (MDF) panels, faced with laminated vinyl and timber veneer. Panels are edged with matching quality edging.

P100: 100mm wide, 10mm thick

P145: 145mm wide, 12mm thick

Hinges

The panels are hinged with a continuous UV-stabilised PVC-hinge. (Minimum thickness of profile is 1.0mm). The hinge is locked inside the panel by a continuous ball profile.

Operation & Suspension

The door is top supported and hung from an extruded aluminium track (clear or powder coated) without floor tracks or guides. The lead stile(s) are fitted with the manufacturer's standard magnetic catch and colour matching handles.

Carriers

The door is fitted with nylon tyred precision bearing wheels: four (4) wheel trolley on lead stile, two (2) wheel trolley on alternative panels.



TECHNICAL DATA		
ITEM	P-100*	P-145
Panel Thickness	10mm	12mm
Width	100mm	145mm
Structure	MDF	
Finishes	Timber Veneer, Vinyl*	
Hinges	Continuous UV-Stabilised PVC	
Wheels	*Nylon tyred precision bearings	
Track	*Aluminium	
Track Size	30mm x 35mm	
Hardware	*PVC Handles, latch or 4 x magnets*	
Lock	Whitco 860317 (Optional)	
Stc Rating	-	
Stack Depth	10% of opening + 65mm	10% of opening + 110mm
Weight	9kg/m ²	12kg/m ²
Max. Height	2.7m	3m
Max. Opening	6 metres or Contact your local representative	
Use	Domestic/Commercial	

* Standard

Service Repair Warranty & Maintenance

Your Soundguard and P-Series is guaranteed for one (1) year against manufacturer's defects.

However, in order to assure a lifetime of reliable and easy operation, we recommend Soundguard and P-Series be serviced regularly. More important than the wellbeing of the product, regular service will help to prevent safety issues caused from neglect and general wear and tear. Over time, head tracks can collect dust, making doors and wall panels more difficult to move. Often times this occurs subtly and over a period of time, making it hard to notice when your door or wall is not operating at an optimum level of performance. We suggest a regular servicing yearly. This is the best way to protect your investment and assure many years of use.

Soundguard and P-Series services include:

- Cleaning and adjustment of tracks and wheel carriers
- Lubrication of track systems
- Complete inspection of all parts including mechanical seals and carriers
- Integrity inspection of all rubber parts, including stile seals and floor/track sweeps
- Overall inspection of structure to assure stability and strength of wall or door

We want to make sure that our product is performing to your standards and is maintaining the same level of performance as the day we handed it over to you.

Export

Throughout its history Unifold has always been involved in international supply and has built a network of contacts throughout years of service. Our key strengths in Export lay in the diversity to supply a wide range of projects by specialising our service to cater to their unique needs.

We have a vast customer network that covers Australasia, South East Asia, and the South Pacific. Unifold has been involved in Export for in excess of 20 years and is now established as a known brand in its trading markets. This provides Unifold with unique knowledge that takes a lifetime to accumulate and contact bases in foreign markets that are difficult to build.

Professional export packing staff provide a safe, robust and cost effective solution to ensure your order arrives at the destination in the same condition it left our premises; regardless of size, weight and delicate nature of the product.

Talk to us today about Distributors in your area.



REQUEST A QUOTE - available online now

