



Austratus

State-of-the-art,  
modular system  
for slatted timber

NEW THINKING. NEW SIMPLICITY.

A CEDAR SALES  
INNOVATION

## CEILING INSTALLATION INSTRUCTIONS



## Everything you need from start to finish

Austratus offers so much more than head-turning style.

Our patent-pending fitting system allows continuous lengths of timber to be simply and easily clipped into a suspended ceiling. It can also be screwed directly onto existing walls and ceilings.

- **Complete, off-the-shelf system** including hanging rods, clips, rails and selected timber profiles.
- **A seamless finish.** For added convenience, Austratus also supplies specially-engineered finishing trims and spacers.
- **A system that's engineered to stringent quality standards.**

## Four easy steps

### Step 1.

Simply fix your L-shaped trim to the walls as a level border.



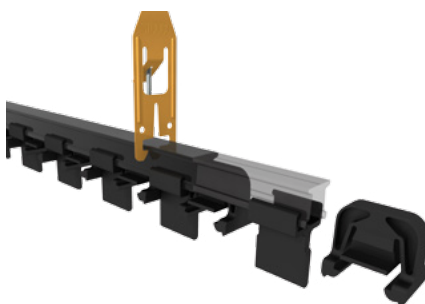
### Step 2.

Place rails up to 600mm apart – Suspended.



### Step 3.

Place the plastic clips into the rails.



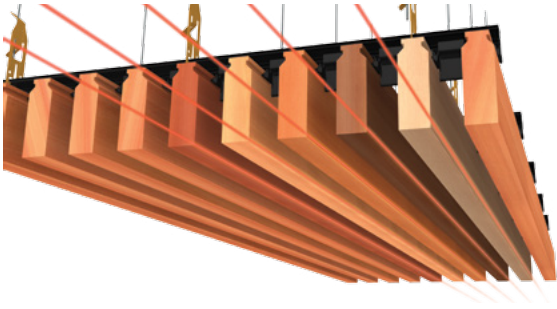
### Step 4.

Now you're ready to start inserting your timber lengths. Simply push the timber into the clips.



# Installation tips

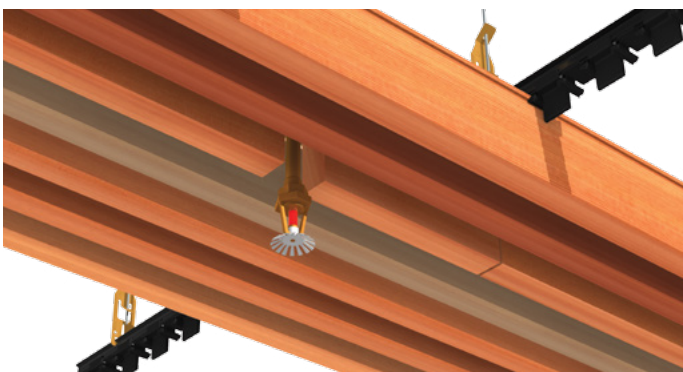
1. As you work across the room, ensure each row of timber profiles is straight. Lasers can be used to ensure accuracy.



2. The profiles can be end-butted together with clip-on joiners, or left gapped for shadow-line effects. Adjustments are simple and hassle free.



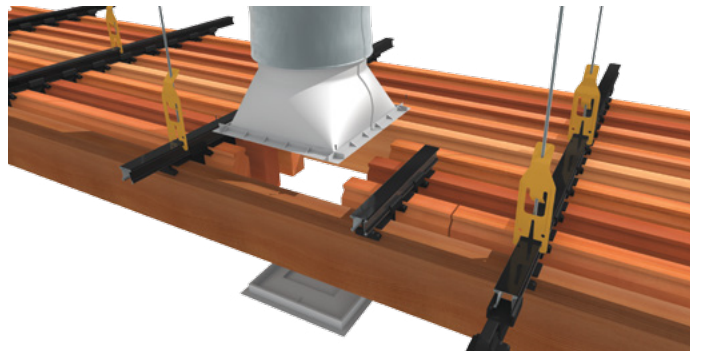
3. If you require speakers, lights, air vents or any other special features, the timber is easy to cut and remove. Austratus also supplies tins of touch-up coating to restore coated finishes to the end grain.



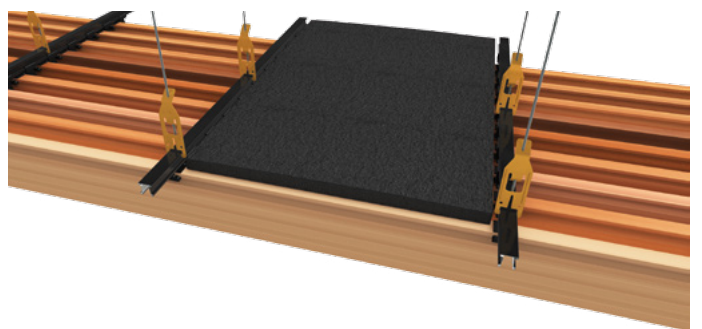
4. Keep in mind that special features, such as air-conditioning vents, may require extra rails and clips to support the cut timber.



5. Ensure that any smaller joints are properly supported with a short TCR rail and clips covering the adjacent profiles.



6. Austratus has a natural acoustic rating, which can be further enhanced to suit various application requirements, with the addition of acoustic insulation. Simply cut the insulation to the required shape and size, then lay it on top of the timber profiles. Technical information is available on request.



A CEDAR SALES  
INNOVATION

An innovation from 30-year timber veteran Cedar Sales

Austratus is a product innovation from architectural timber specialists, Cedar Sales. With more than 30 years experience supplying Western Red Cedar and Hemlock to residential and commercial projects across Australia, Cedar Sales has developed a reputation for innovative product designs, uncompromising quality control and an unwavering commitment to sustainability. Our latest innovation, Austratus, is a state-of-the-art, modular system making slatted timber ceilings, walls and screens easier – and more accessible – than ever.

Visit [austratus.com.au](http://austratus.com.au)