



rethink
your design
environment

"Design is
so simple.
That's why it is
so complicated"

Paul Rand

 | imiwood

□ | imiwood

imiwood introduces an exciting method of design using prefinished decorative battens. Presented in a comprehensive range of colours with one hundred percent matching board, imiwood provides the authenticity and warmth of natural timber with the convenience of a ready to install decorative batten.

imiwood range of decorative battens are manufactured in Australia using high quality overlays wrapped around an mdf e-zero substrate leaving only one seamless join. These overlays are pvc-free, environmentally friendly and abrasive resistant. imiwood is the perfect timber alternative providing design continuity and a dimensionally stable product. imiwood can be used in a variety of internal applications including feature walls, ceilings and screening.



Commercial | Healthcare | Retail | Education | Hospitality | Government



Promoting Sustainable
Forest Management
www.pefc.org.au

imiwood prefinished decorative battens

Dimension	Substrate	MOQ (pc)	Weight (kg/pc)	Lead-time (working days)
18x38x3600	MDF	50	1.8	7-10
18x65x3600	MDF	50	3.1	7-10
32x32x3600	MDF	30	2.7	7-10
32x65x3600	MDF	30	5.5	7-10
50x50x3600	LDF	15	3.7	7-10
50x70x3600	LDF	15	5.3	7-10
50x100x3600	LDF	15	7.4	7-10

custom dimensions available on request

batten weights are guide only

lead-times ex-works

imiwood prefinished laminated board

available board thicknesses

9mm	12mm	16mm	18mm	25mm	32mm
-----	------	------	------	------	------

available board sizes

MDF MR	2400 x 1200	2700 x 1200	3050 x 1200	3600 x 1200
---------------	-------------	-------------	-------------	-------------

laminated board available in Good One Side (G1S) and Good Two Sides (G2S),

G1S supplied with balanced back

lead-times;

18mm G2S 2400x1200, 2-3 working days ex-works

all other sizes 5-7 working days ex-works

imiwood elements timberlook finishes



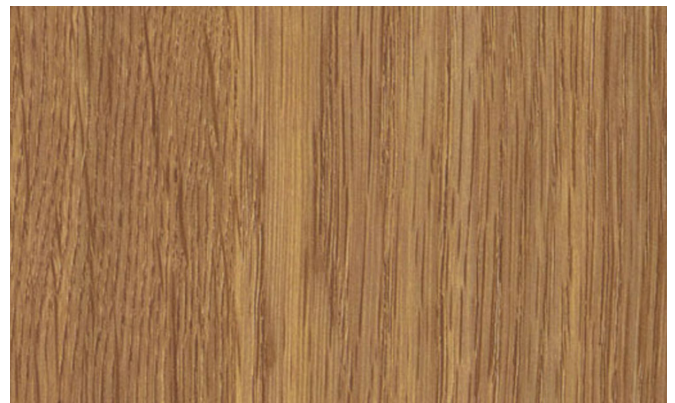
Blonde Oak



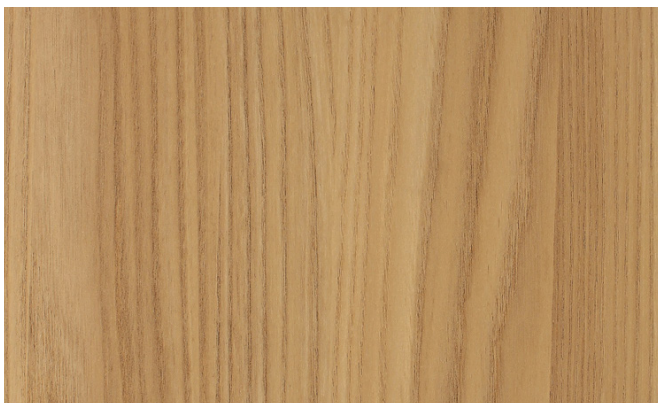
Natural Ash



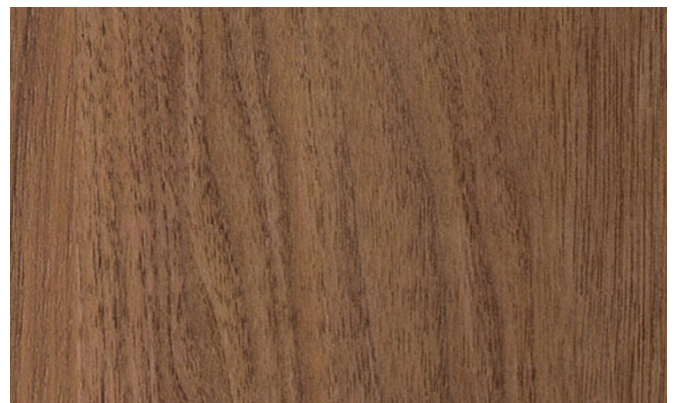
Parisian Oak



Honey Oak



Autumn Ash



Arabica Oak



Sahara Walnut



Moroccan Oak

Finishes are for illustrative purposes only. Selections should be based on reviewing physical sample. Contact Ultraflex for samples 1300 374 894.

imiwood elements timberlook finishes



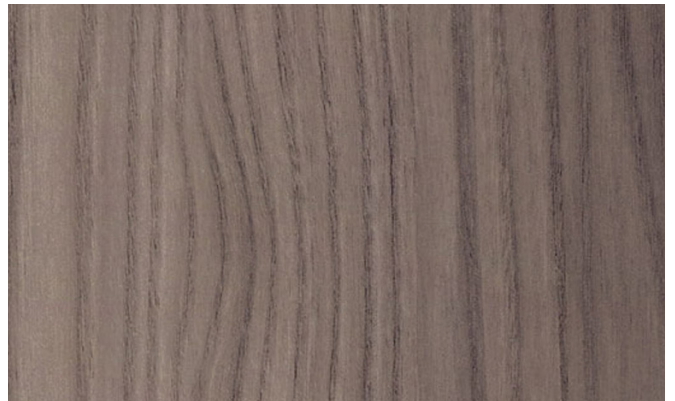
Fennel Oak



Sirocco Oak



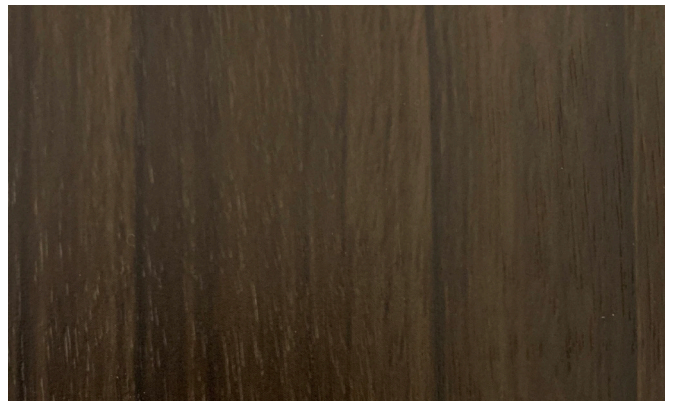
Consentino Walnut



Truffle Ash



Peppered Oak



Charred Walnut



Fossil Cedar



Slated Ash

Finishes are for illustrative purposes only. Selections should be based on reviewing physical sample. Contact Ultraflex for samples 1300 374 894.

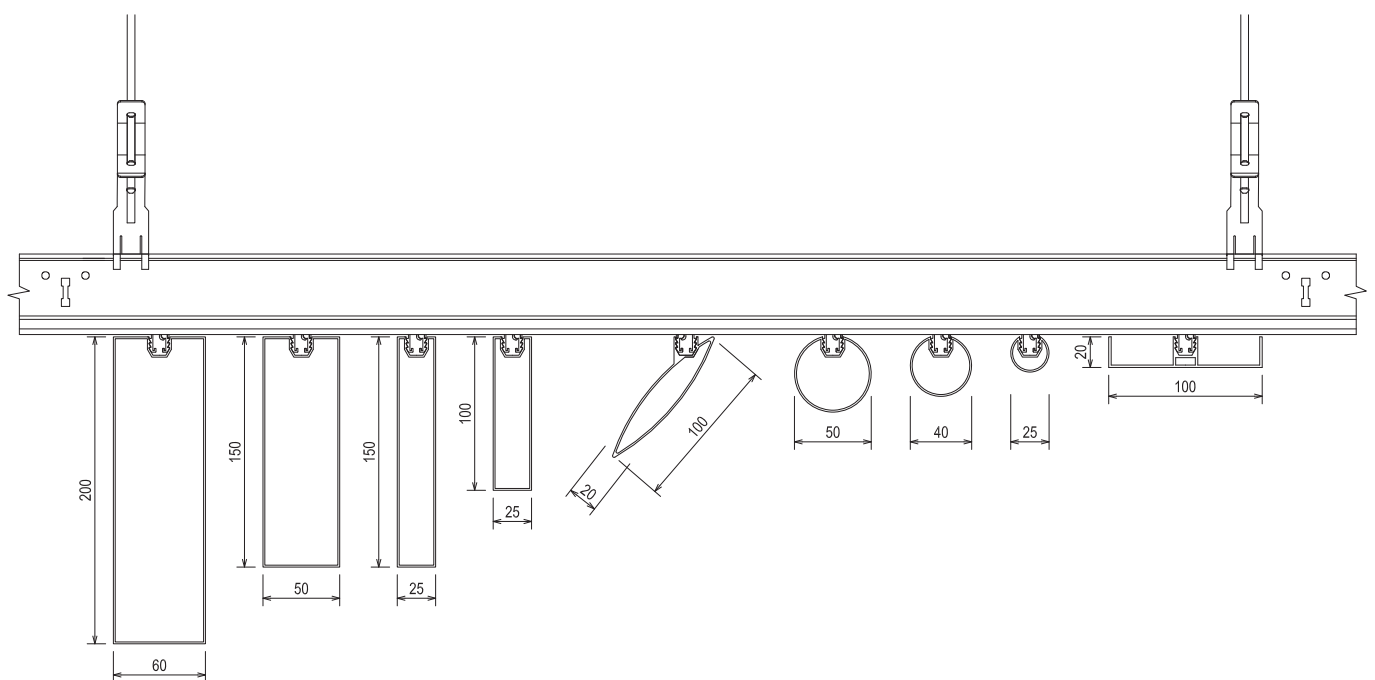
||| quick-clip

||| quick-clip

Ultraflex quick-clip prefinished decorative battens are a lightweight aluminium batten solution. Incorporating a patent protected design with a host of profiles and colours, quick-clip comes with a group one fire rating and is the fastest installed system in the market today.

Create visual impact that commands attention and delivers acoustic performance using Ultraflex quick-clip range of decorative aluminium battens. The ideal solution for spaces requiring a group one fire rating, quick-clip's inverted design creates a fully concealed batten fixing. The proprietary quick-clip carrier rail attaches to a traditional hanger and grid framing system making installation exceptionally fast and simple whilst giving a smooth transition into typical office ceilings. Quick-clip battens are available in anodised, solid powder coated, timberlook powder coated and laminated timberlook. quick-clip can be used in a variety of internal and limited external applications.

profiles



custom profiles available on request

create visual
impact that
commands
attention



DELIVERY OPTIONS

ULTRAFLEX PREFINISHED DECORATIVE BATTENS ARE AVAILABLE IN VARIOUS SUPPLY OPTIONS



Supply

Prefinished Decorative Battens can be purchased as supply only in full lengths ready to fabricate.

Pick-up or national delivery.



Assembled

Prefinished Decorative Battens can be supplied fabricated and assembled ready for installation.

Pick-up or national delivery.



Installed

In certain areas Prefinished Decorative Battens can be fully fabricated, assembled and installed by our team of qualified installers.

Scribble:

