

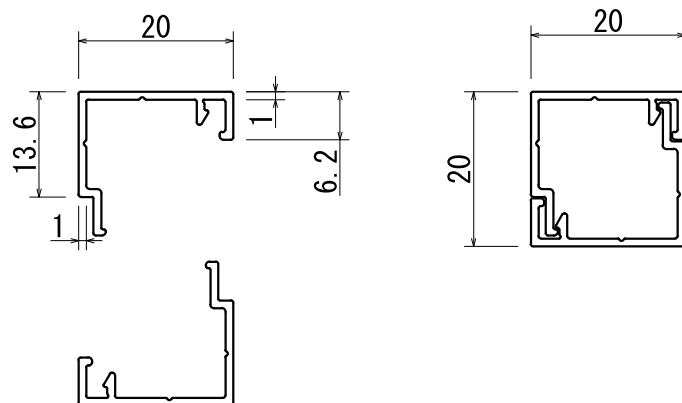
Kabebari batten detail

Profile: Square 20x20mm

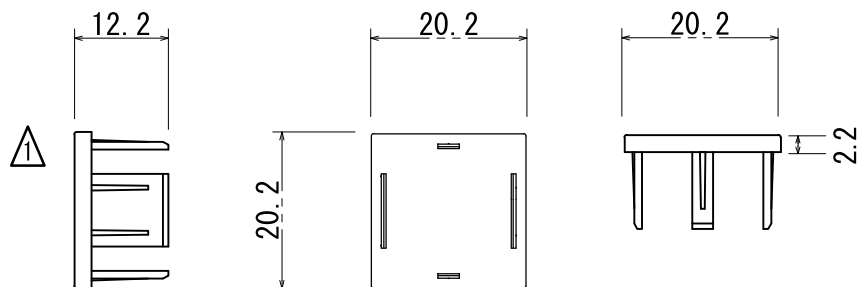
Base: 0.066kg/m

Cover: 0.066kg/m

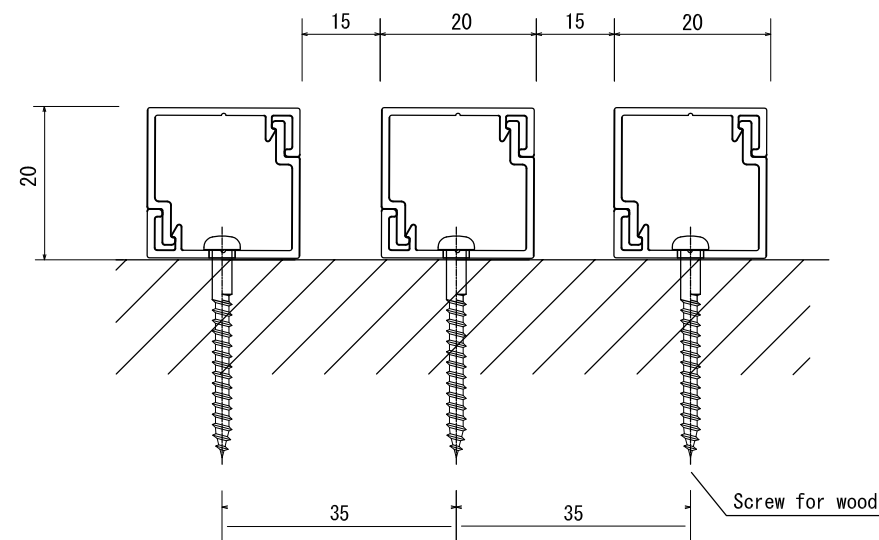
Total: 0.132kg/m



Endcap detail



Installation detail



3			Product Name				Project Name	Creation Date	Number	Scale	Projection
2			Ever Art Wood - Kabebari				Kabebari 20x20			1:1	⊕
1	End caps	Screw fix or apply exterior grade adhesive (eg. Sikaflex) to secure cap to batten.	Approval	Chek	Drawing	Design	Customer	Distributor		Manufacturer	
No.	DATE							covet			

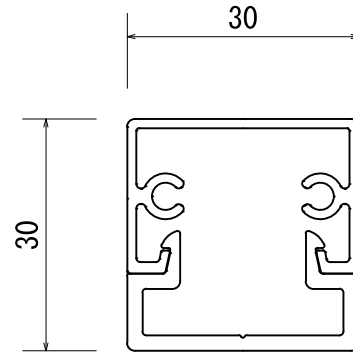
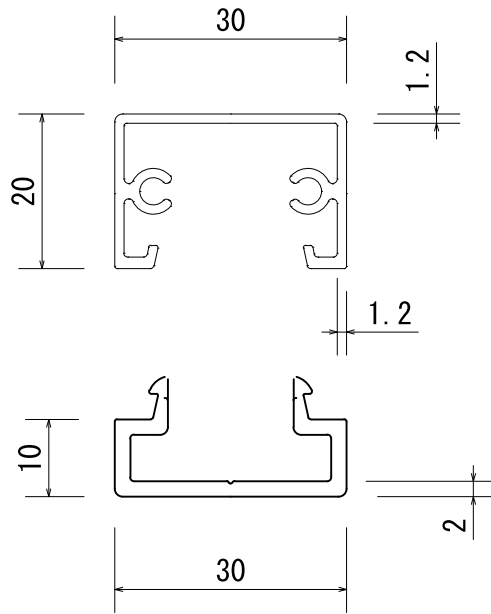
Kabebari batten detail

Profile: Square 30x30mm

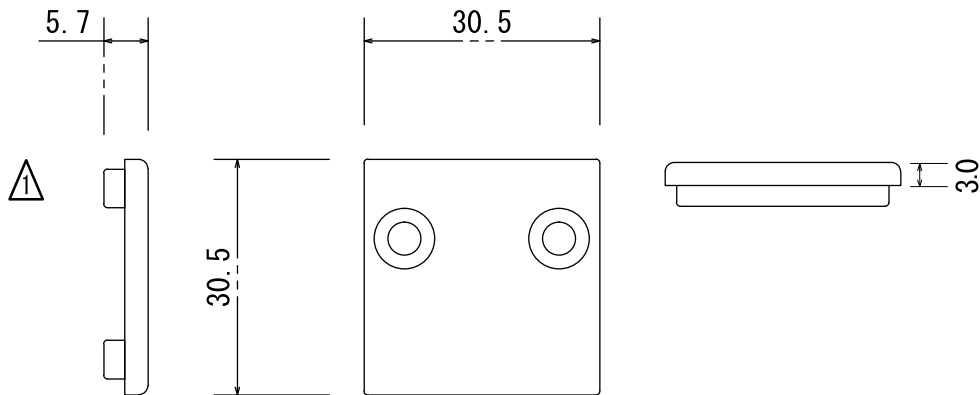
Base: 0.348kg/m

Cover: 0.347kg/m

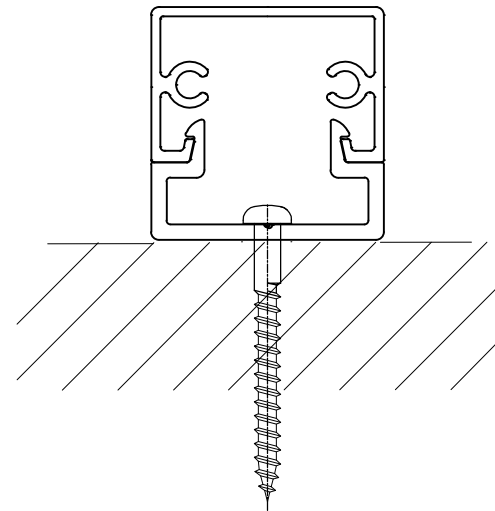
Total: 0.695kg/m



Endcap detail



Installation detail



3			Product Name				Project Name	Creation Date	Number	Scale	Projection
2			Ever Art Wood - Kabebari				Kabebari 30x30			1:1	⊕
1	End caps	Screw fix or apply exterior grade adhesive (eg. Sikaflex) to secure cap to batten.	Approval	Chek	Drawing	Design	Customer	Distributor		Manufacturer	
No.	DATE							covet			

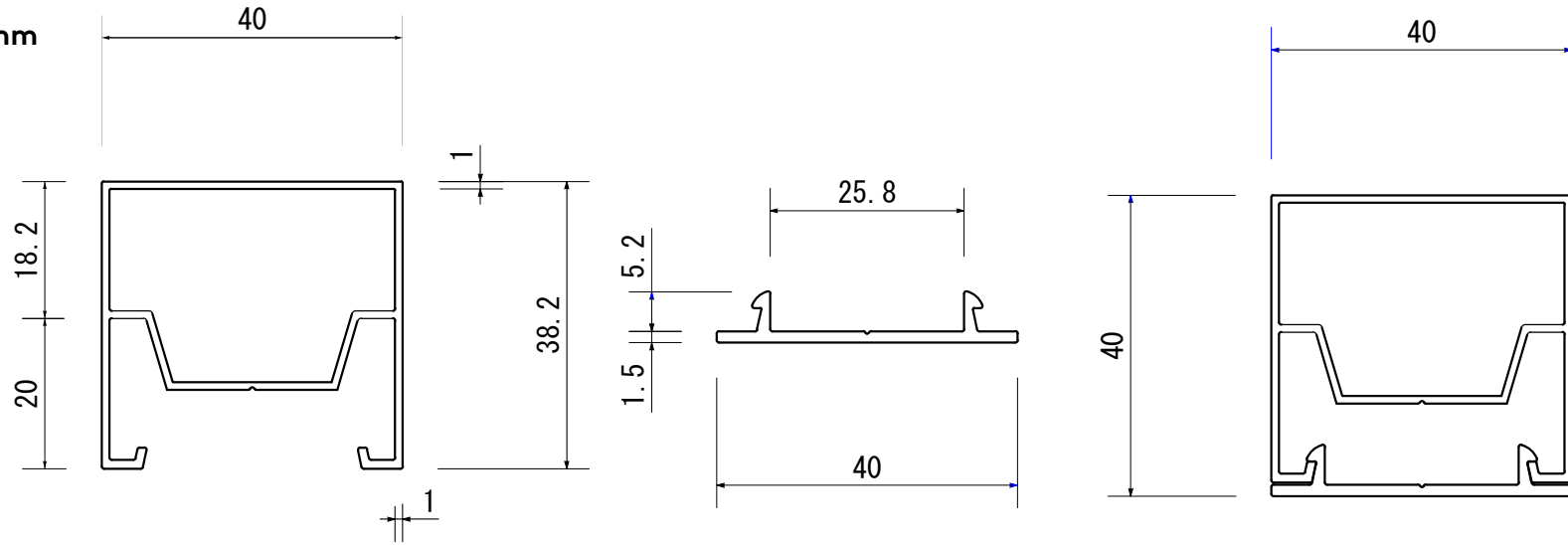
Kabebari batten detail

Profile: Square 40x40mm

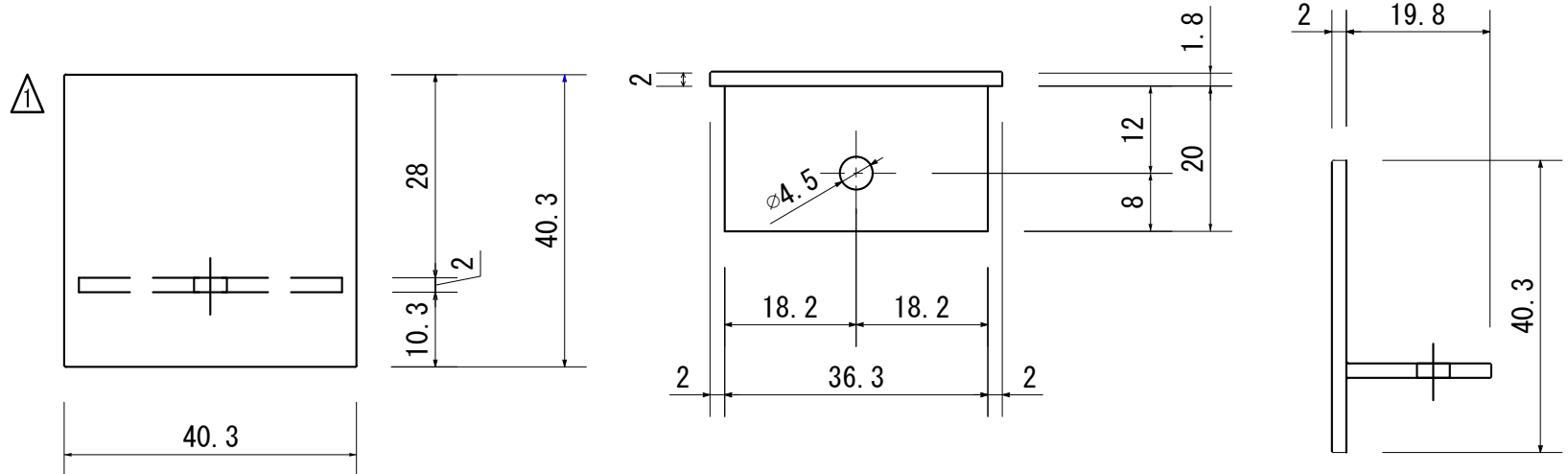
Base: 0.489kg/m

Cover: 0.207kg/m

Total: 0.696kg/m



Endcap detail



3			Product Name				Project Name	Creation Date	Number	Scale	Projection
2			Ever Art Wood - Kabebari				Kabebari 40x40			1:1	⊕
1	End caps	Screw fix or apply exterior grade adhesive (eg. Sikaflex) to secure cap to batten.	Approval	Chek	Drawing	Design	Customer	Distributor		Manufacturer	
No.	DATE							covet			

Kabebari batten detail

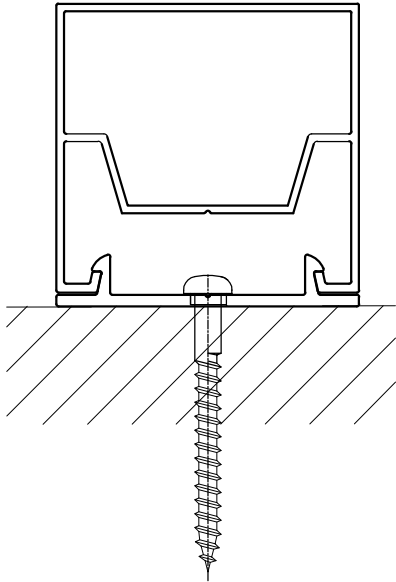
Profile: Square 40x40mm

Base: 0.489kg/m

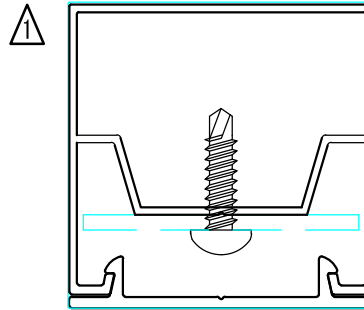
Cover: 0.207kg/m

Total: 0.696kg/m

Installation detail



Installation detail - Endcap



3			Product Name				Project Name	Creation Date	Number	Scale	Projection
2			Ever Art Wood - Kabebari				Kabebari 40x40			1:1	⊕
1	End caps	Screw fix or apply exterior grade adhesive (eg. Sikaflex) to secure cap to batten.	Approval	Chek	Drawing	Design	Customer	Distributor		Manufacturer	
No.	DATE							covet			

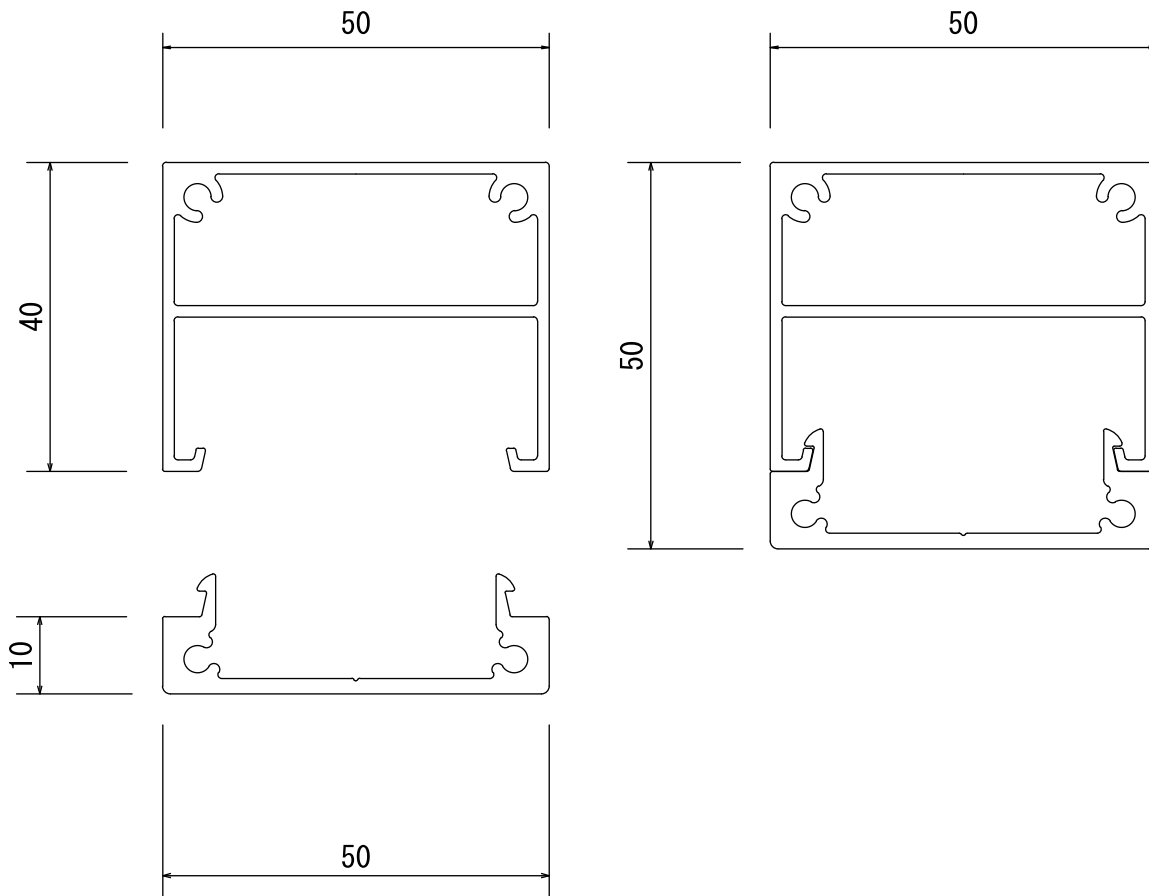
Kabebari batten detail

Profile: Square 50x50mm

Base: 0.547kg/m

Cover: 0.853kg/m

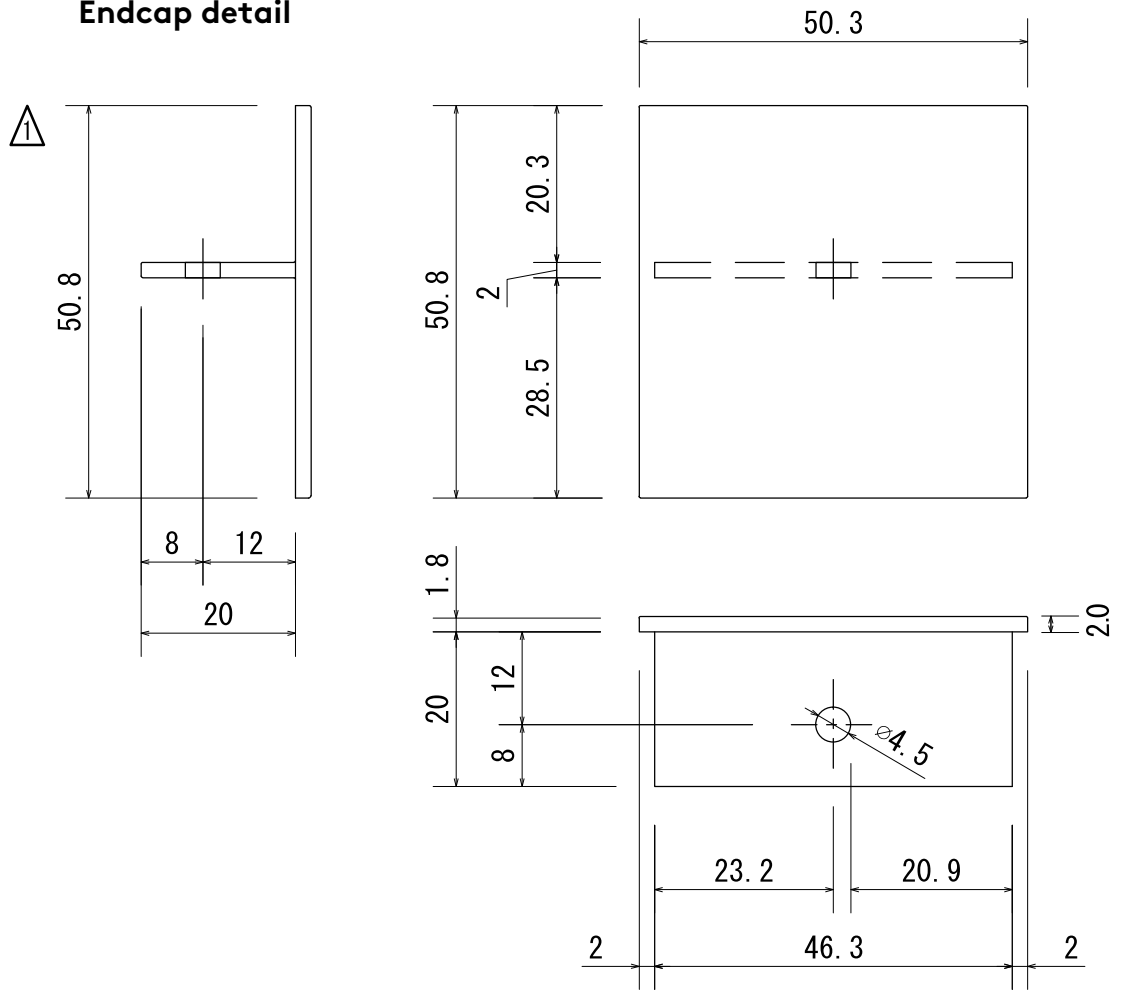
Total: 1.400kg/m



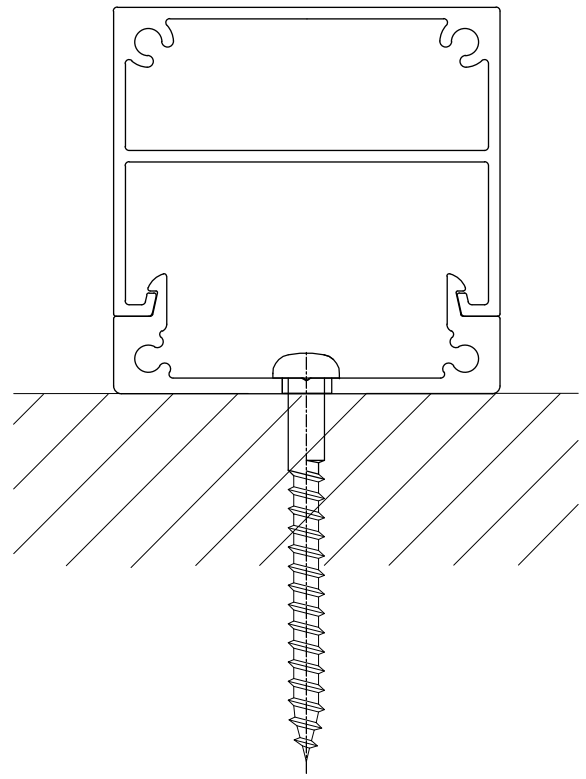
3			Product Name				Project Name	Creation Date	Number	Scale	Projection
2			Ever Art Wood - Kabebari				Square 50x50			1:1	⊕
1	End caps	Screw fix or apply exterior grade adhesive (eg. Sikaflex) to secure cap to batten.	Approval	Chek	Drawing	Design	Customer	Distributor		Manufacturer	
No.	DATE							covet			

Kabebari batten detail
Profile: Square 50x50mm

Endcap detail



Installation detail



3			Product Name				Project Name	Creation Date	Number	Scale	Projection
2			Ever Art Wood - Kabebari				Square 50x50			1:1	⊕
1	End caps	Screw fix or apply exterior grade adhesive (eg. Sikaflex) to secure cap to batten.	Approval	Chek	Drawing	Design	Customer	Distributor		Manufacturer	
No.	DATE							covet		TAKASHO	

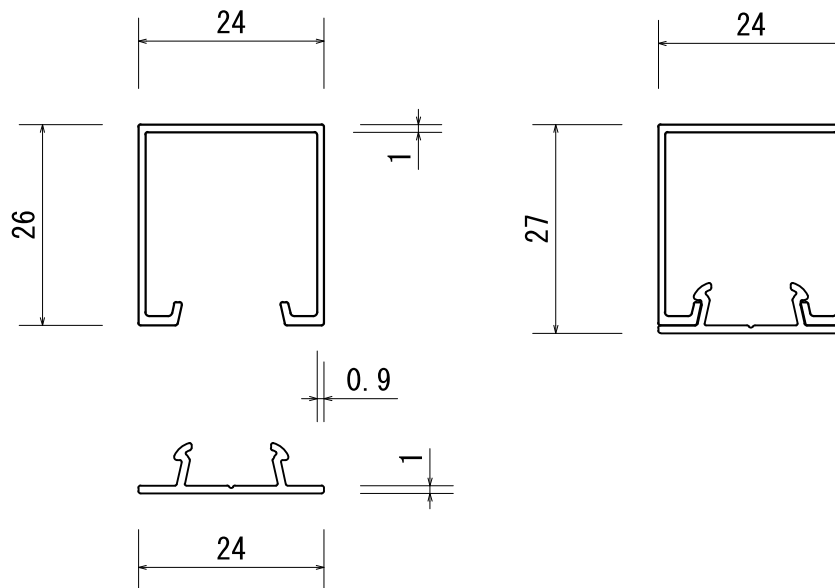
Kabebari batten detail

Profile: Kogarana 24x27mm

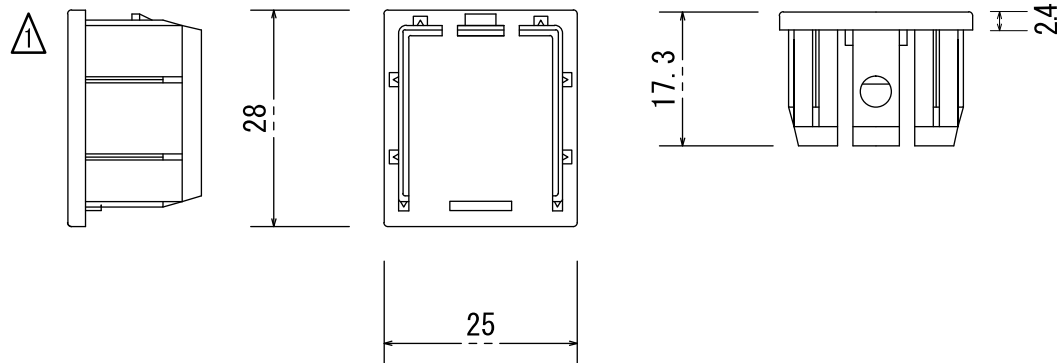
Base: 0.099kg/m

Cover: 0.224kg/m

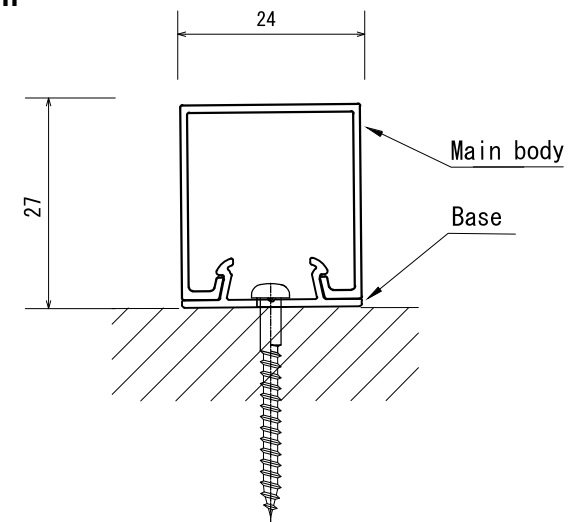
Total: 0.323kg/m



Endcap detail



Installation detail



3			Product Name				Project Name	Creation Date	Number	Scale	Projection
2			Ever Art Wood - Kabebari				Kogarana 24x27mm			1:1	⊕
1	End caps	Screw fix or apply exterior grade adhesive (eg. Sikaflex) to secure cap to batten.	Approval	Chek	Drawing	Design	Customer	Distributor		Manufacturer	
No.	DATE							covet			

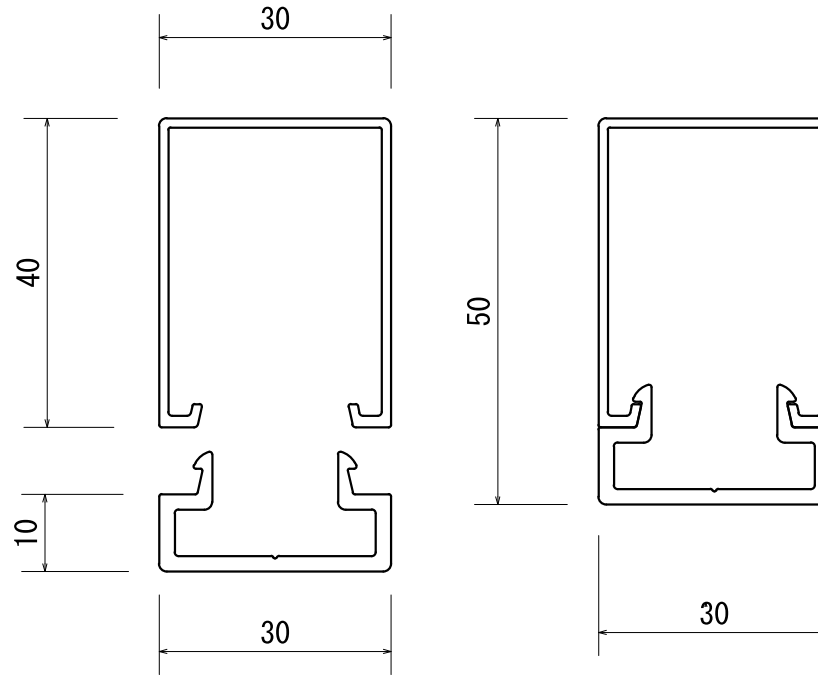
Kabebari batten detail

Profile: Rectangle 30x50mm

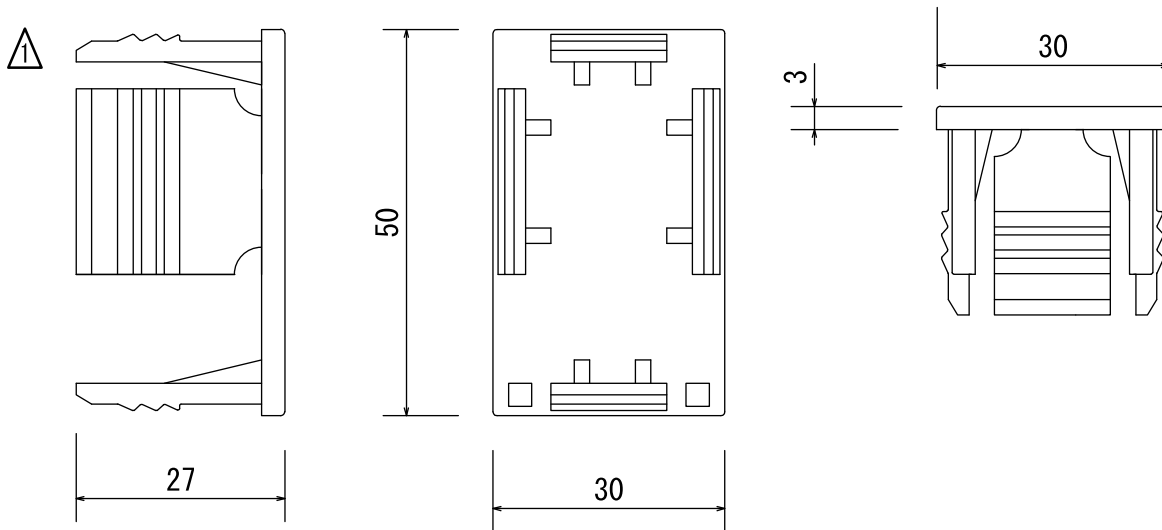
Base: 0.348kg/m

Cover: 0.390kg/m

Total: 0.738kg/m



Endcap detail



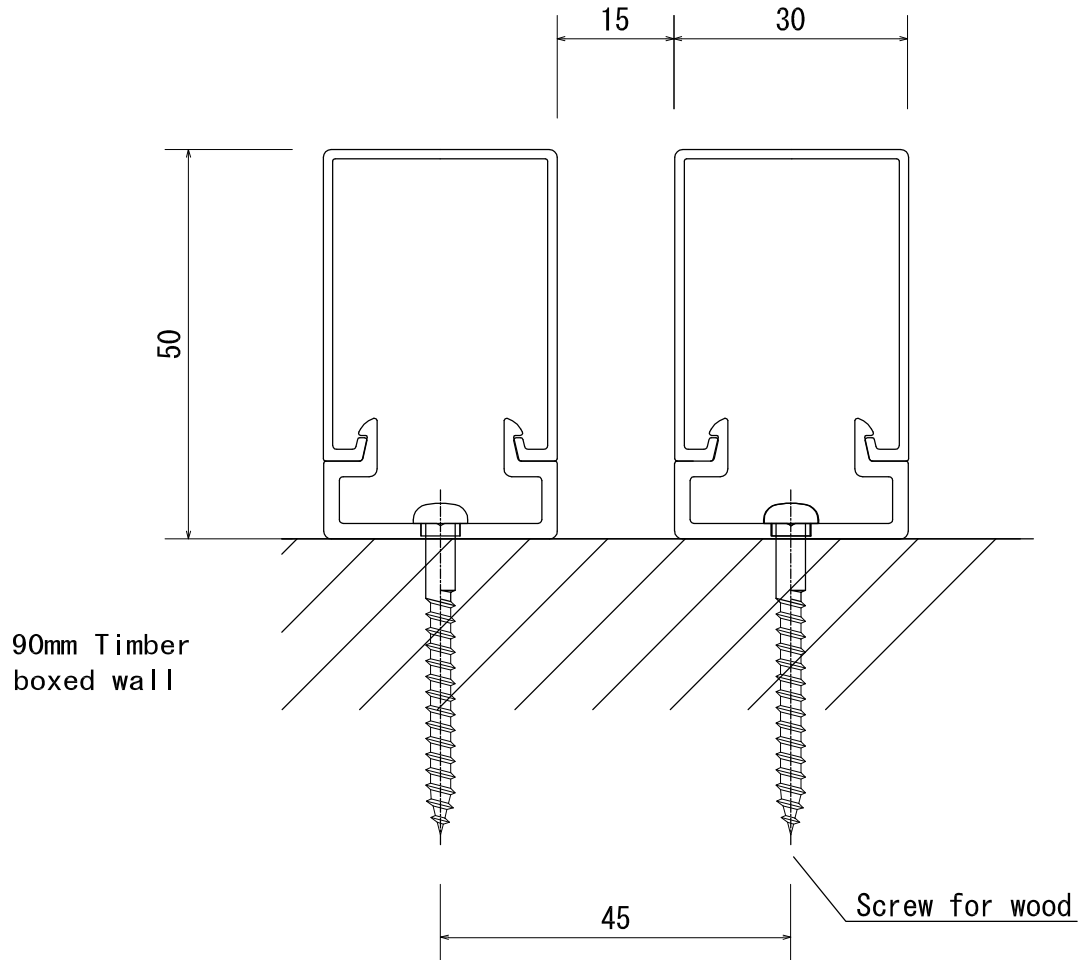
Kabebari 30x50 @ 60mm centres | Supuringu Oku

3			Product Name				Project Name	Creation Date	Number	Scale	Projection
			Ever Art Wood - Kabebari				Rectangle 30x50			1:1	⊕
2	End caps	Screw fix or apply exterior grade adhesive (eg. Sikaflex) to secure cap to batten.	Approval	Chek	Drawing	Design	Customer	Distributor		Manufacturer	
No.			DATE						covet		TAKASHO

Kabebari batten detail

Profile: Rectangle 30x50mm

Installation detail



3			Product Name				Project Name	Creation Date	Number	Scale	Projection
2			Ever Art Wood - Kabebari				Rectangle 30x50			1:1	⊕
1	End caps	Screw fix or apply exterior grade adhesive (eg. Sikaflex) to secure cap to batten.	Approval	Chek	Drawing	Design	Customer	Distributor		Manufacturer	
No.	DATE							covet			

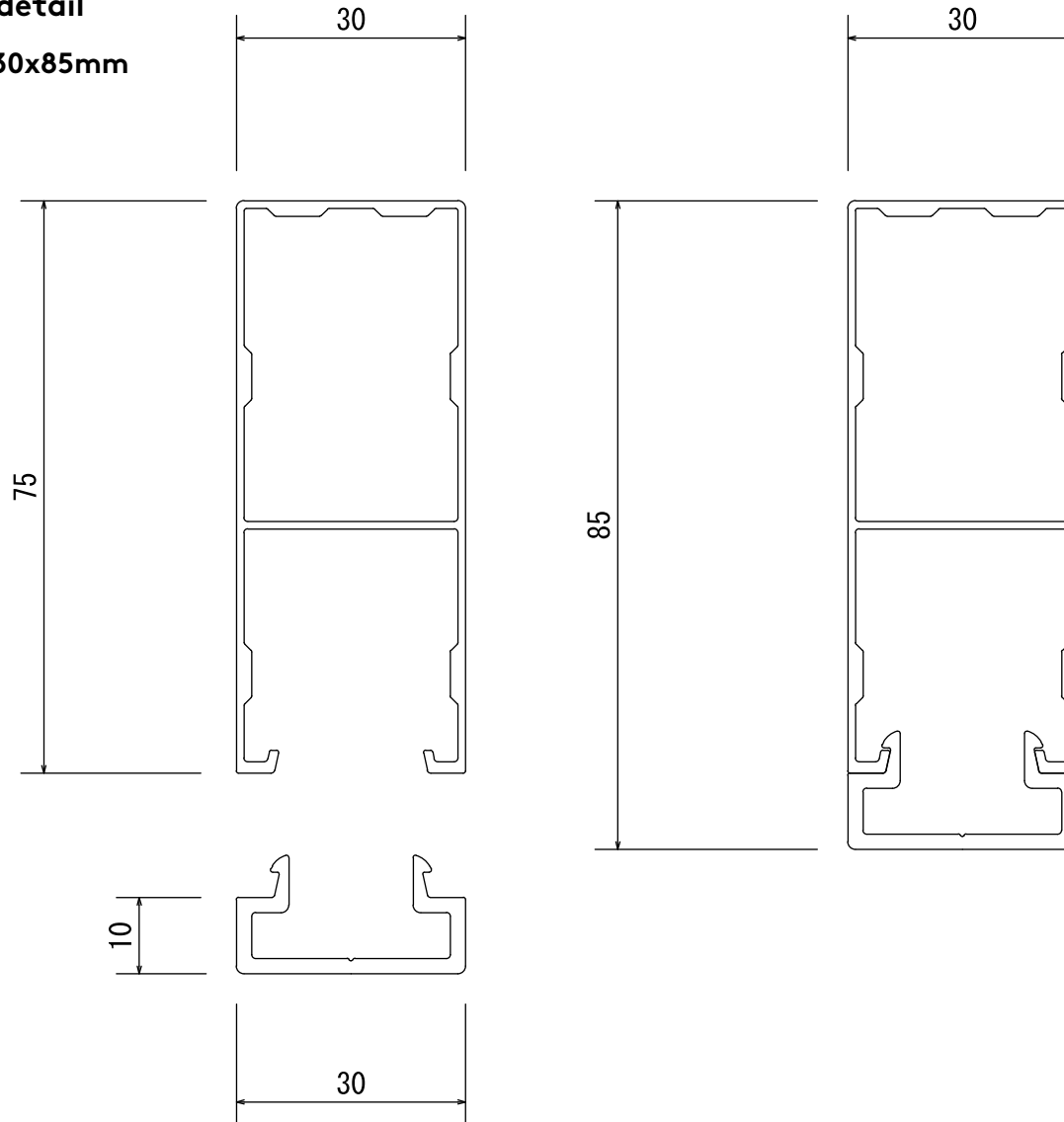
Kabebari batten detail

Profile: Rectangle 30x85mm

Base: 0.348kg/m

Cover: 0.712kg/m

Total: 1.060kg/m

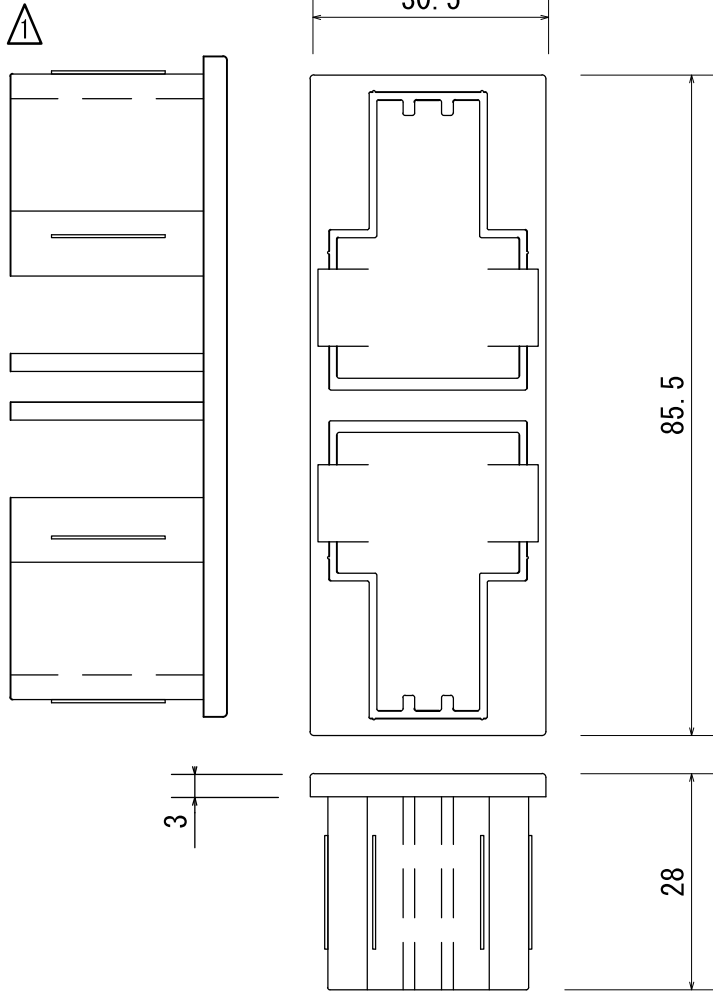


Kabebari 30x85 @ 60mm centres | Kuri Masame

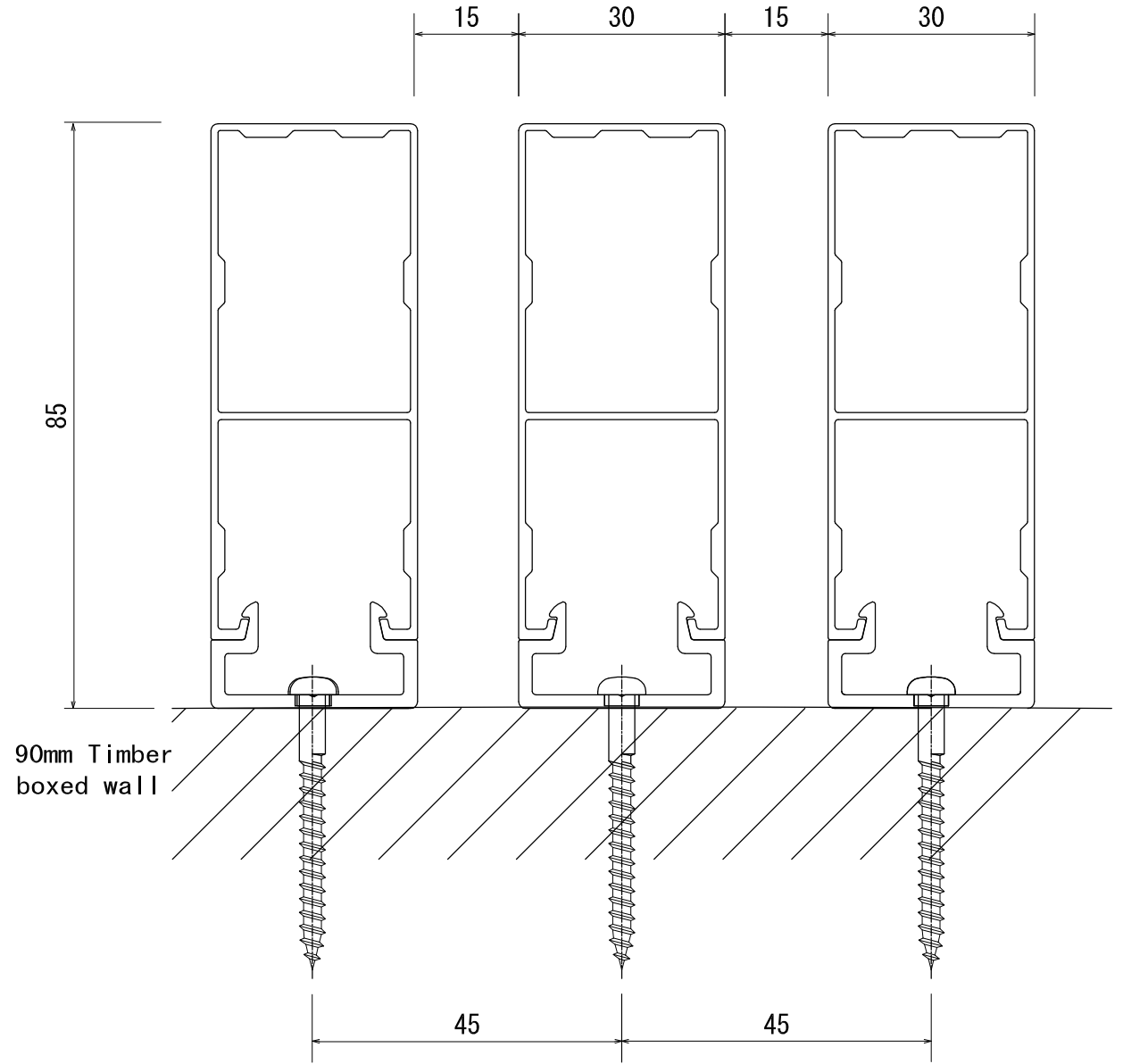
3			Product Name				Project Name	Creation Date	Number	Scale	Projection
	2		Ever Art Wood - Kabebari				Rectangle 30x85			1:1	⊕
1	End caps	Screw fix or apply exterior grade adhesive (eg. Sikaflex) to secure cap to batten.	Approval	Chek	Drawing	Design	Customer	Distributor		Manufacturer	
No.	DATE							covet			

Kabebari batten detail
Profile: Rectangle 30x85mm

Endcap detail



Installation detail



3			Product Name				Project Name	Creation Date	Number	Scale	Projection
2			Ever Art Wood - Kabebari				Rectangle 30x85			1:1	⊕
1	End caps	Screw fix or apply exterior grade adhesive (eg. Sikaflex) to secure cap to batten.	Approval	Chek	Drawing	Design	Customer	Distributor		Manufacturer	
No.	DATE							covet			

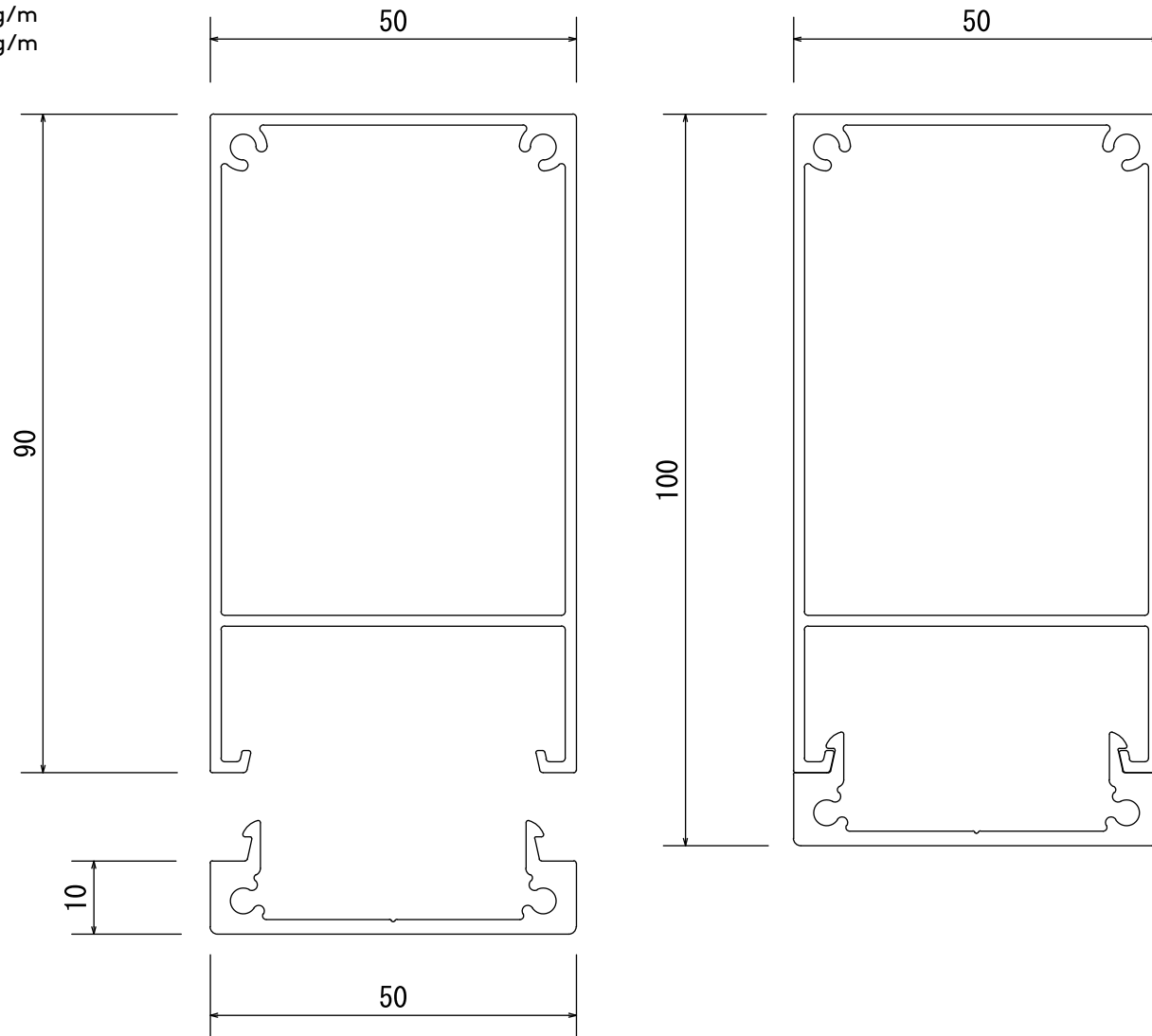
Kabebari batten detail

Profile: Rectangle 50x100mm

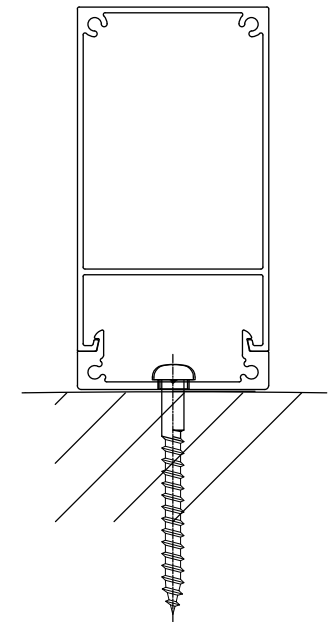
Base: 0.547kg/m

Cover: 1.258kg/m

Total: 1.805kg/m



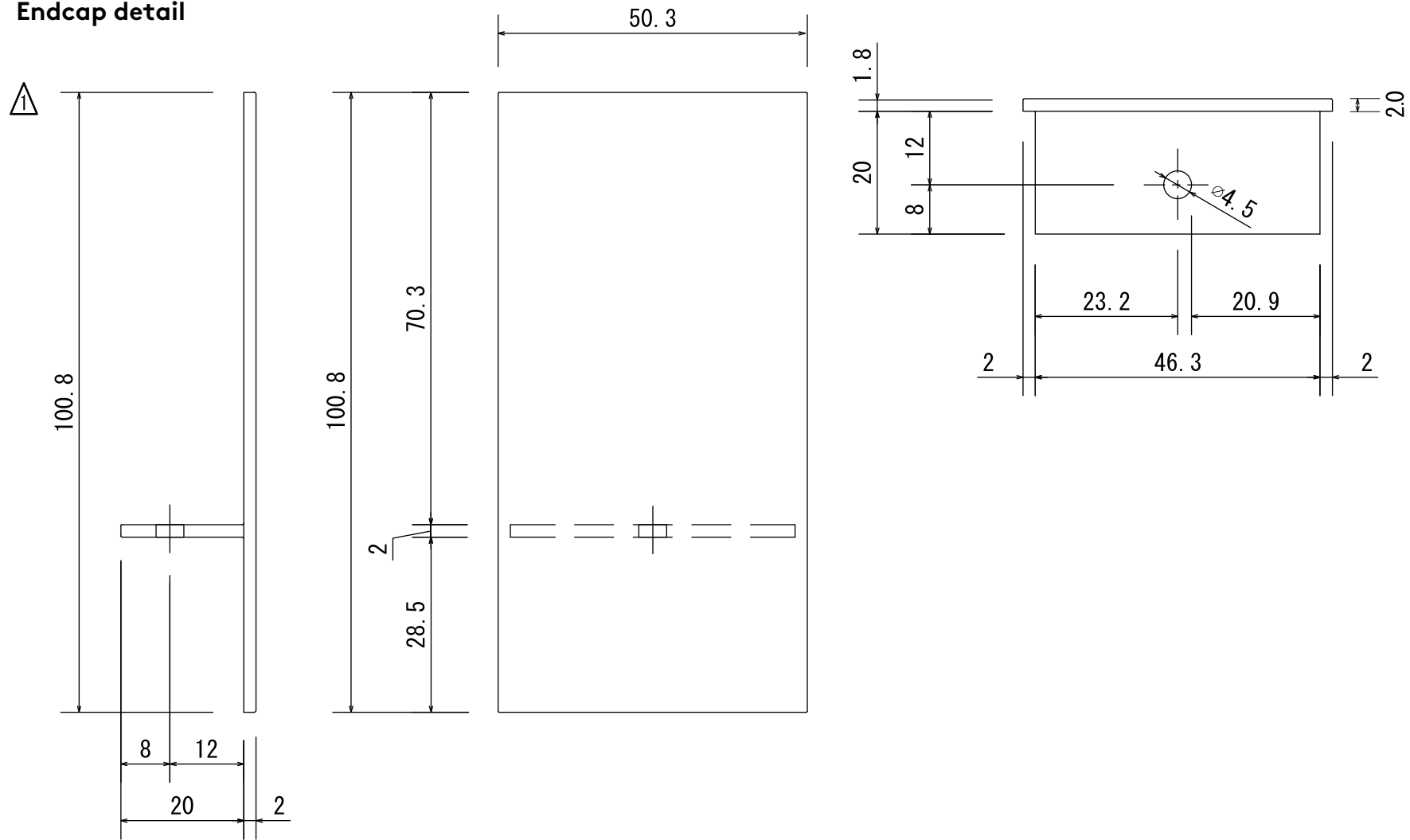
**Installation detail
(not to scale)**



		Product Name				Project Name		Creation Date	Number	Scale	Projection
3		Ever Art Wood - Kabebari				Rectangle 50x100				1:1	⊕
2		Approval				Customer		Distributor		Manufacturer	
1	End caps	Screw fix or apply exterior grade adhesive (eg. Sikaflex) to secure cap to batten.						covet		Takasho	
No.	DATE										

Kabebari batten detail
Profile: Rectangle 50x100mm

Endcap detail



3			Product Name				Project Name	Creation Date	Number	Scale	Projection
2			Ever Art Wood - Kabebari				Rectangle 50x100			1:1	⊕
1	End caps	Screw fix or apply exterior grade adhesive (eg. Sikaflex) to secure cap to batten.	Approval	Chek	Drawing	Design	Customer	Distributor		Manufacturer	
No.	DATE							covet			

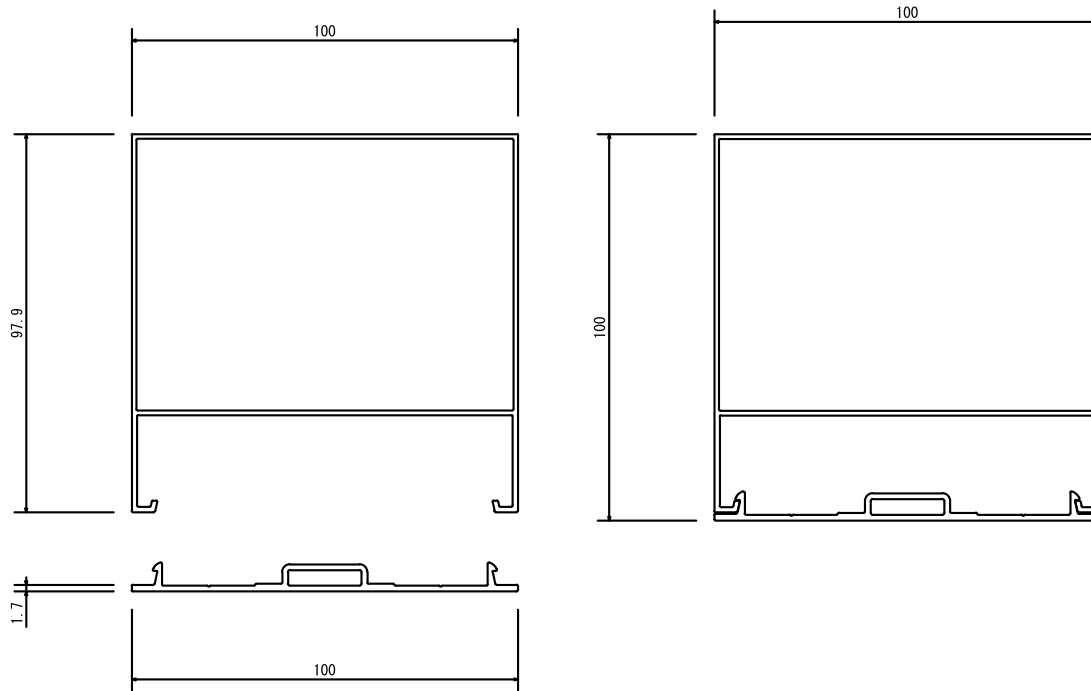
Kabebari batten detail

Profile: Oki 100x100mm

Base: 0.692kg/m

Cover: 1.342kg/m

Total: 2.034kg/m



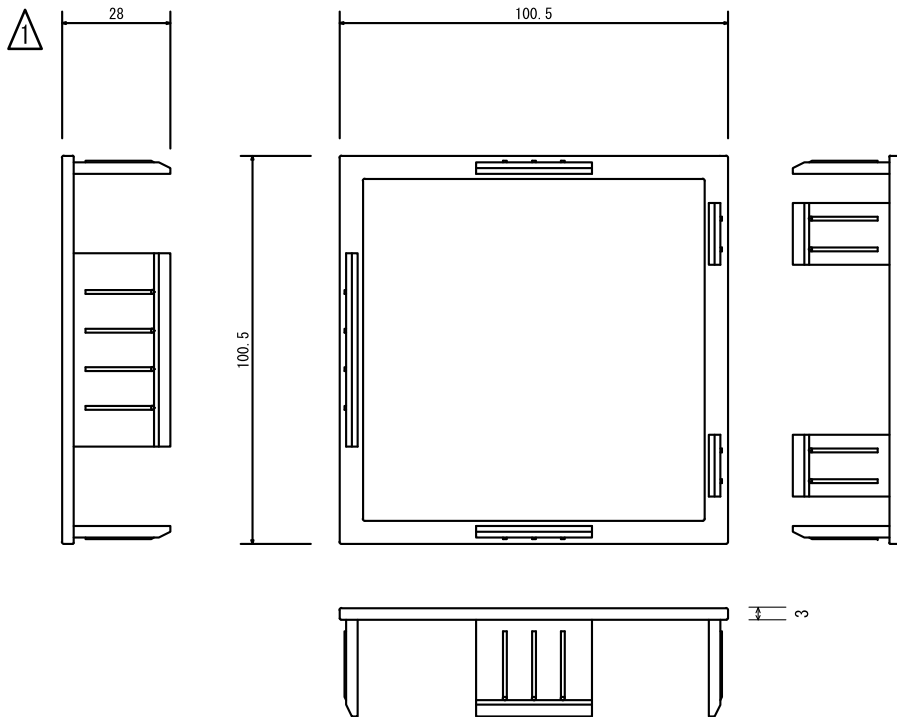
Kabebari 100 x 100 @ 200mm centres | Oku

3			Product Name				Project Name	Creation Date	Number	Scale	Projection
2			Ever Art Wood - Kabebari				Oki 100x100			1:2	⊕
1	End caps	Screw fix or apply exterior grade adhesive (eg. Sikaflex) to secure cap to batten.	Approval	Chek	Drawing	Design	Customer	Distributor		Manufacturer	
No.	DATE							covet			

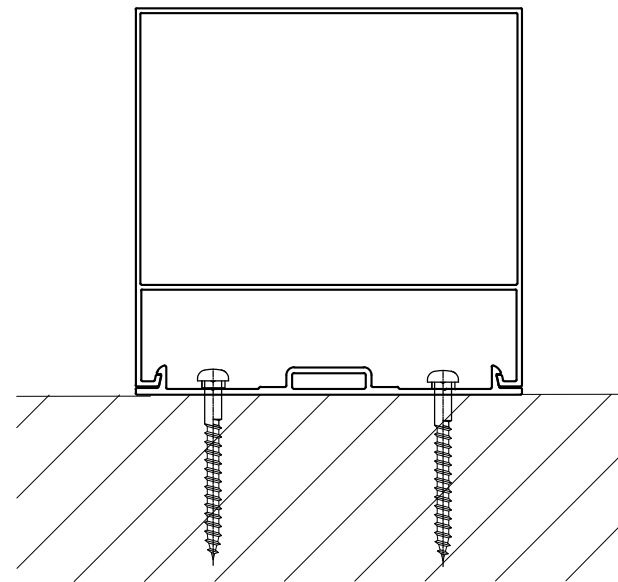
Kabebari batten detail

Profile: Oki 100x100mm

Endcap detail



Installation detail

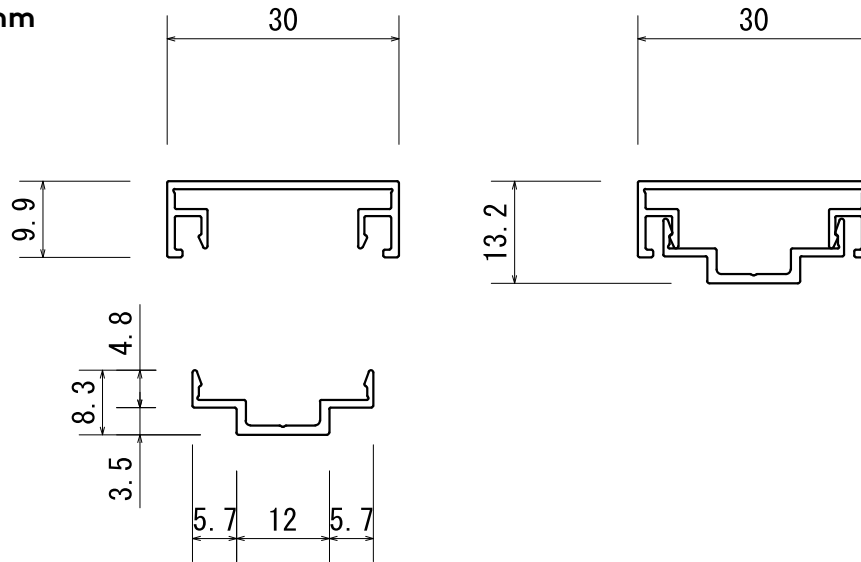


3			Product Name				Project Name	Creation Date	Number	Scale	Projection
2	End caps	End caps available in plastic or aluminium.	Ever Art Wood - Kabebari				Oki 100x100			1:2	⊕
1	End caps	Screw fix or apply exterior grade adhesive (eg. Sikaflex) to secure cap to batten.	Approval	Chek	Drawing	Design	Customer	Distributor		Manufacturer	
No.	DATE							covet			

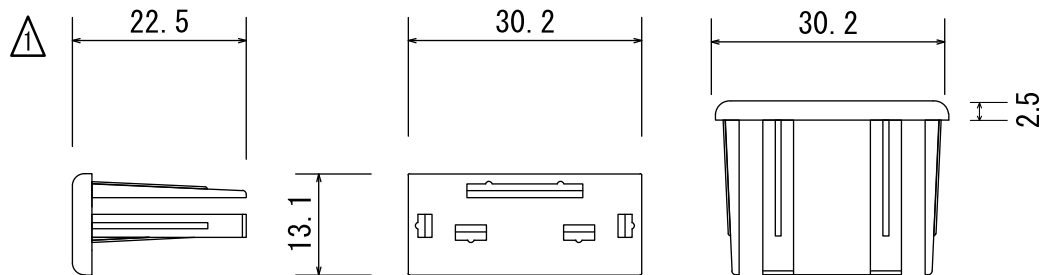
Kabebari batten detail

Profile: Slimline 30x13mm

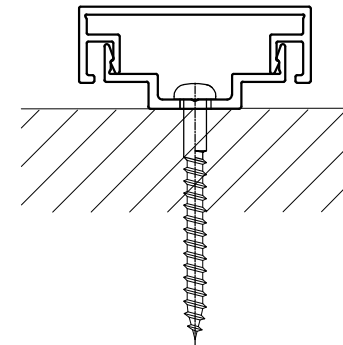
Base: 0.39kg/m
 Cover: 0.63kg/m
 Total: 1.02kg/m



Endcap detail



Installation detail



3			Product Name				Project Name	Creation Date	Number	Scale	Projection
2			Ever Art Wood - Kabebari				Slimline 30x13mm			1:1	⊕
1	End caps	Screw fix or apply exterior grade adhesive (eg. Sikaflex) to secure cap to batten.	Approval	Chek	Drawing	Design	Customer	Distributor		Manufacturer	
No.	DATE							covet		Takasho	

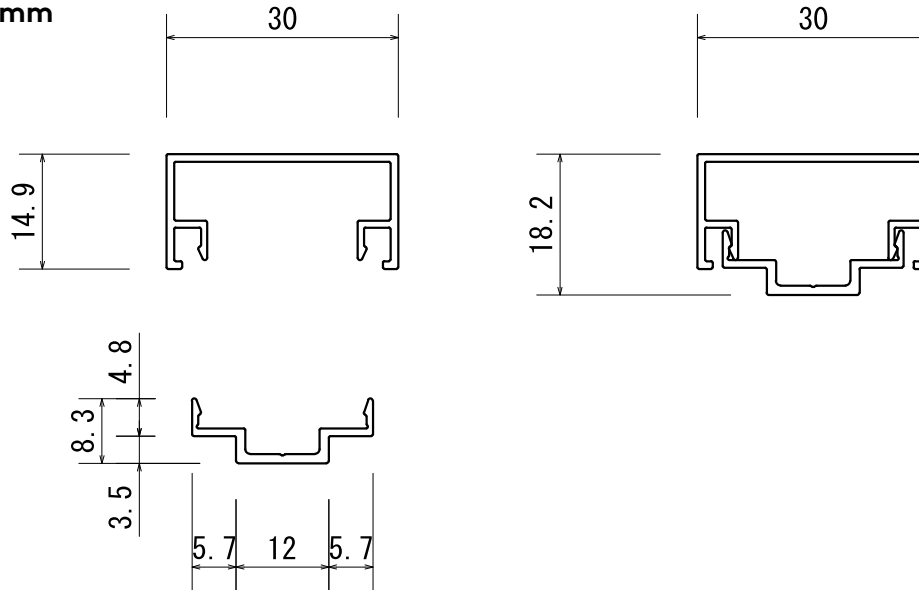
Kabebari batten detail

Profile: Slimline 30x18mm

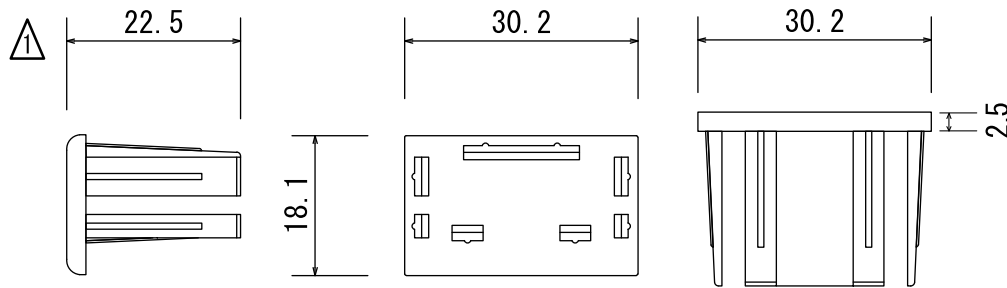
Base: 0.39kg/m

Cover: 0.73kg/m

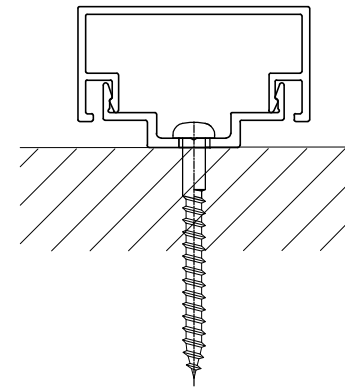
Total: 1.12kg/m



Endcap detail



Installation detail



3			Product Name				Project Name	Creation Date	Number	Scale	Projection
2			Ever Art Wood - Kabebari				Slimline 30x18mm			1:1	⊕
1	End caps	Screw fix or apply exterior grade adhesive (eg. Sikaflex) to secure cap to batten.	Approval	Chek	Drawing	Design	Customer	Distributor		Manufacturer	
No.	DATE							covet		Takasho	

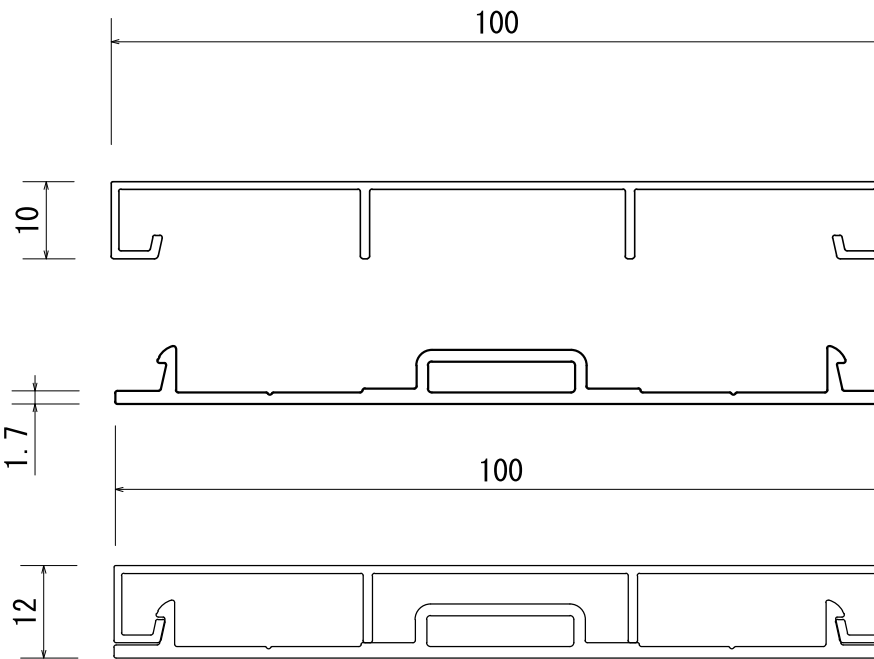
Kabebari batten detail

Profile: Plank 100x12mm

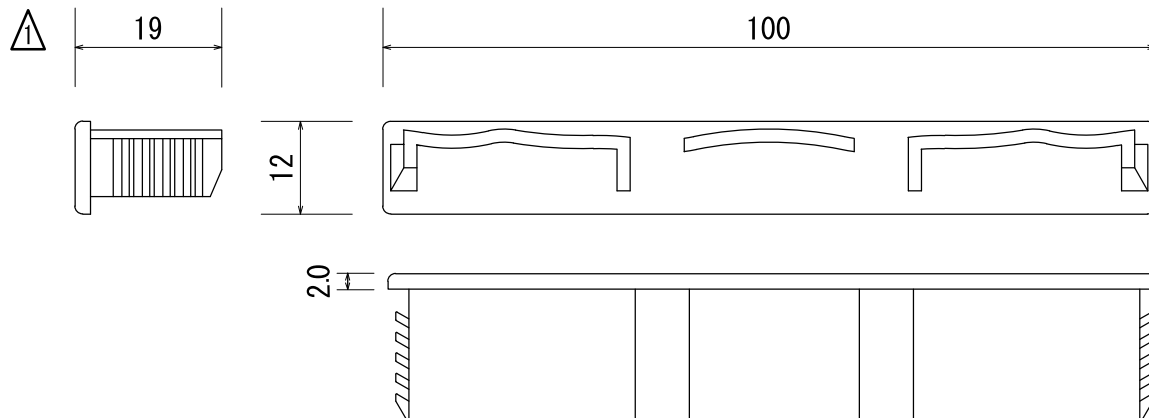
Base: 0.692kg/m

Cover: 0.417kg/m

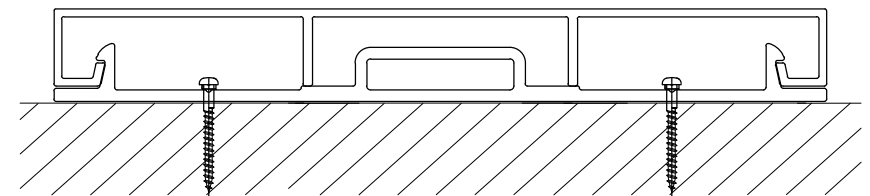
Total: 1.109kg/m



Endcap detail



Installation detail (not to scale)



3			Product Name				Project Name	Creation Date	Number	Scale	Projection
2			Ever Art Wood - Kabebari				Plank 100x12			1:1	⊕
1	End caps	Screw fix or apply exterior grade adhesive (eg. Sikaflex) to secure cap to batten.	Approval	Chek	Drawing	Design	Customer	Distributor		Manufacturer	
No.	DATE							covet			

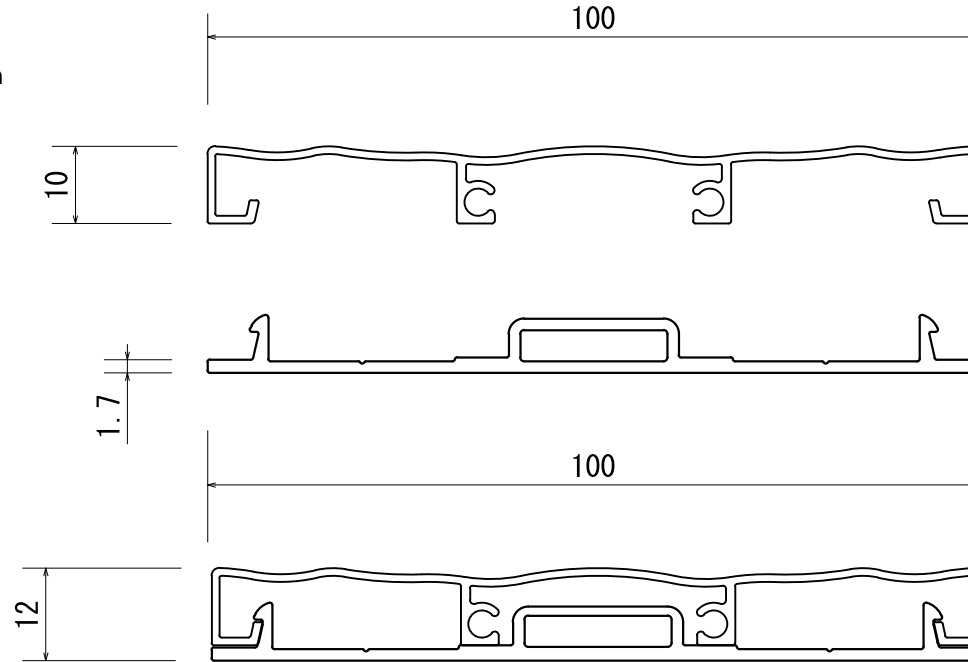
Kabebari batten detail

Profile: Nami Plank 100x12mm

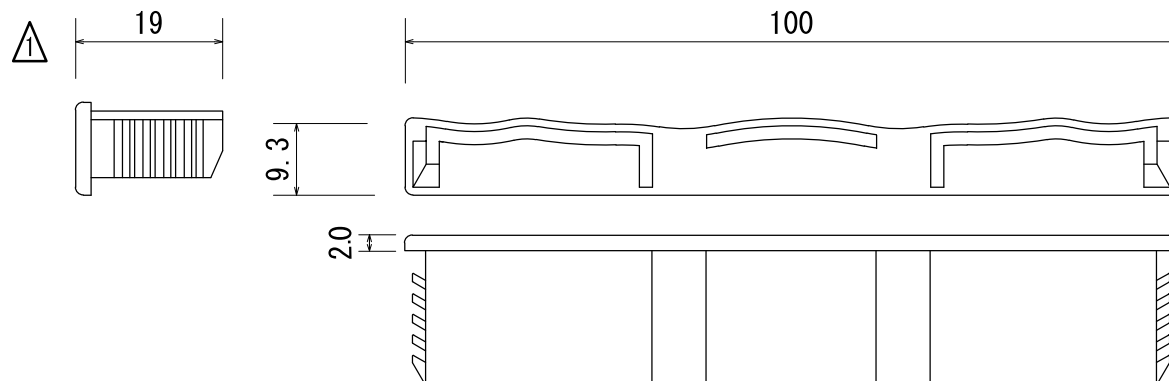
Base: 0.692kg/m

Cover: 0.458kg/m

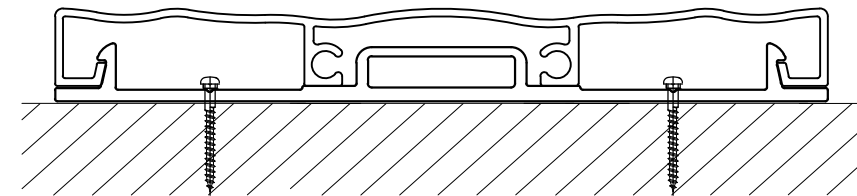
Total: 1.15kg/m



Endcap detail



Installation detail (not to scale)



3			Product Name				Project Name	Creation Date	Number	Scale	Projection
2			Ever Art Wood - Kabebari				Nami Plank 100x12			1:1	⊕
1	End caps	Screw fix or apply exterior grade adhesive (eg. Sikaflex) to secure cap to batten.	Approval	Chek	Drawing	Design	Customer	Distributor		Manufacturer	
No.	DATE							covet		Takasho	

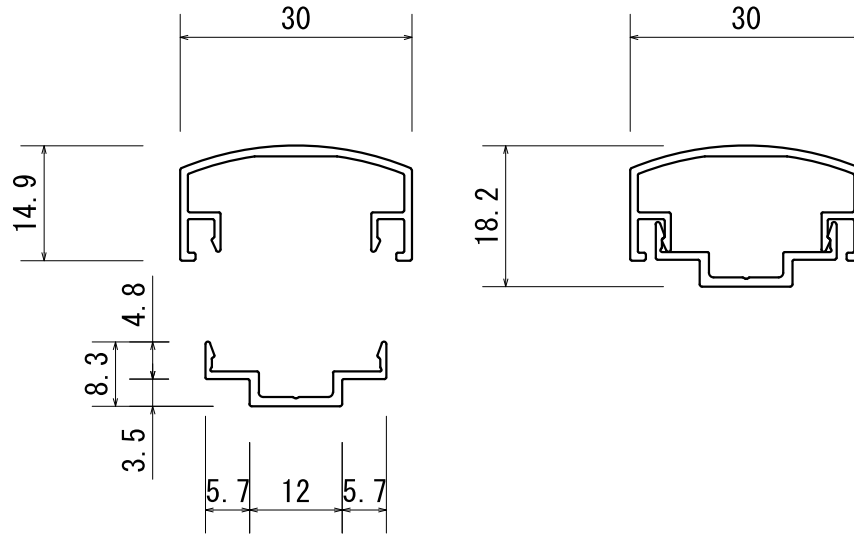
Kabebari batten detail

Profile: Curve 30x18mm

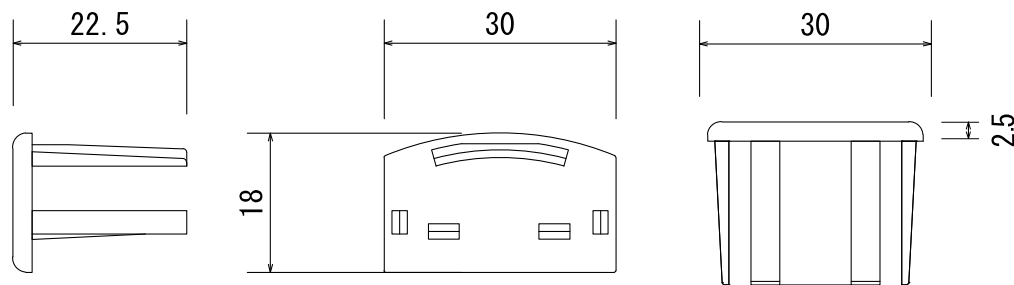
Base: 0.108kg/m

Cover: 0.194kg/m

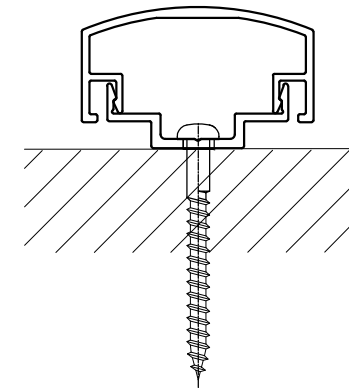
Total: 0.302kg/m



Endcap detail



Installation detail



3			Product Name				Project Name	Creation Date	Number	Scale	Projection
2			Ever Art Wood - Kabebari				Curve 30x18			1:1	⊕
1	End caps	Screw fix or apply exterior grade adhesive (eg. Sikaflex) to secure cap to batten.	Approval	Chek	Drawing	Design	Customer	Distributor		Manufacturer	
No.	DATE							covet			

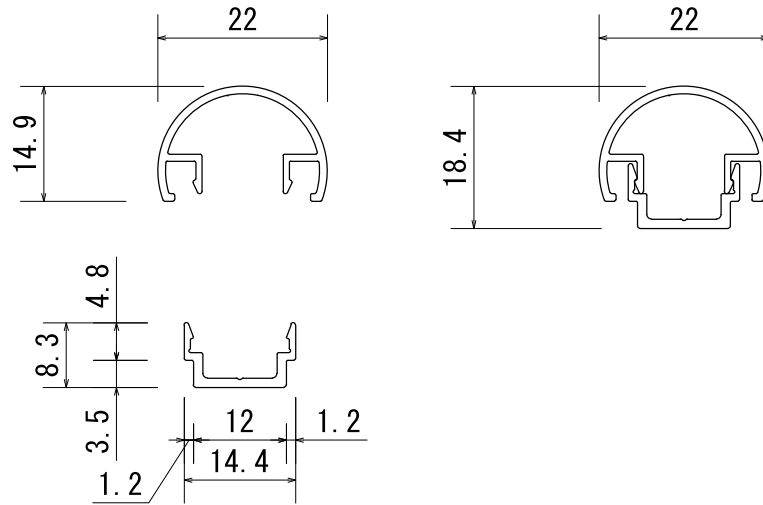
Kabebari batten detail

Profile: Round Single 22x18mm

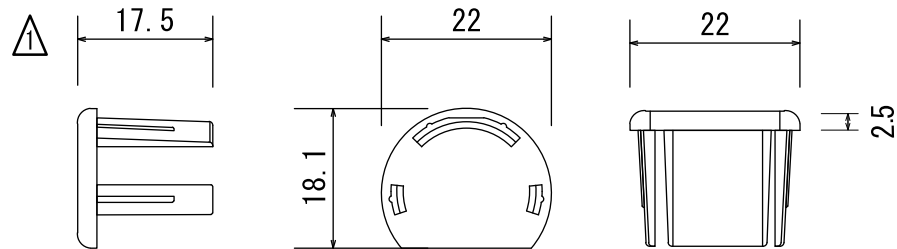
Base: 0.084kg/m

Cover: 0.15kg/m

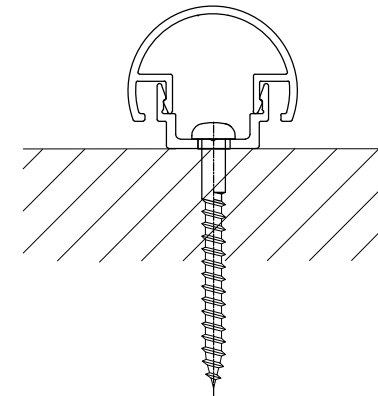
Total: 0.23kg/m



Endcap detail



Installation detail



3			Product Name				Project Name	Creation Date	Number	Scale	Projection
2			Ever Art Wood - Kabebari				Round Single 22x18			1:1	⊕
1	End caps	Screw fix or apply exterior grade adhesive (eg. Sikaflex) to secure cap to batten.	Approval	Chek	Drawing	Design	Customer	Distributor		Manufacturer	
No.	DATE							covet			

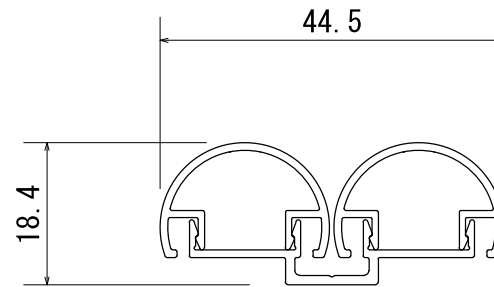
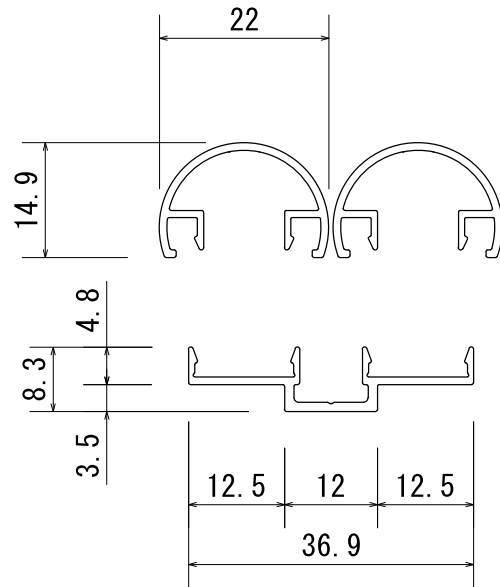
Kabebari batten detail

Profile: Round Double 44.5x18mm

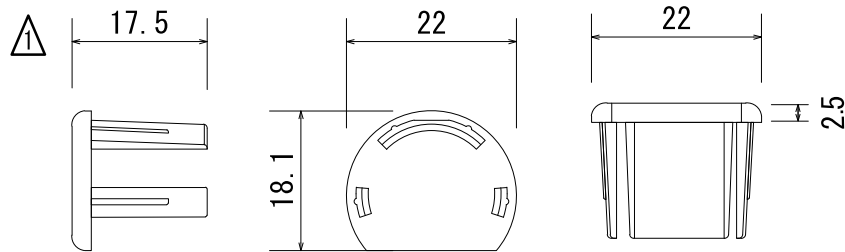
Base: 0.166kg/m

Cover: 0.15kg/m

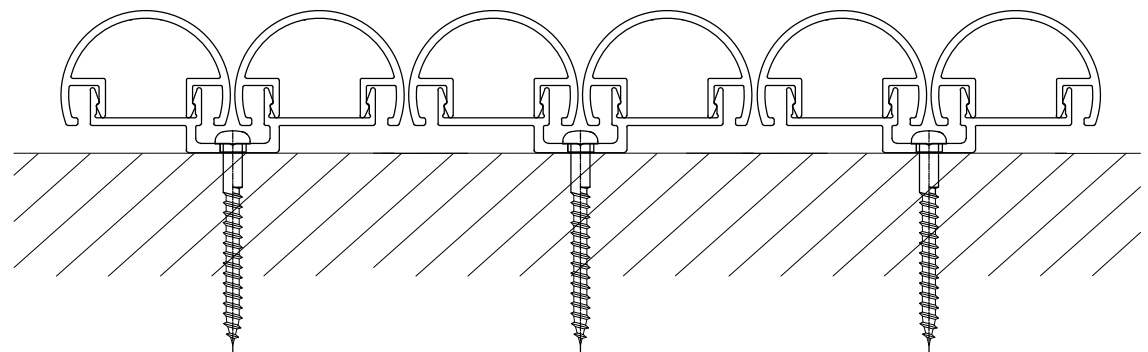
Total: 1.32kg/m



Endcap detail



Installation detail



3			Product Name				Project Name	Creation Date	Number	Scale	Projection
2			Ever Art Wood - Kabebari				Round Double 44.5x18			1:1	⊕
1	End caps	Screw fix or apply exterior grade adhesive (eg. Sikaflex) to secure cap to batten.	Approval	Chek	Drawing	Design	Customer	Distributor		Manufacturer	
No.	DATE							covet			

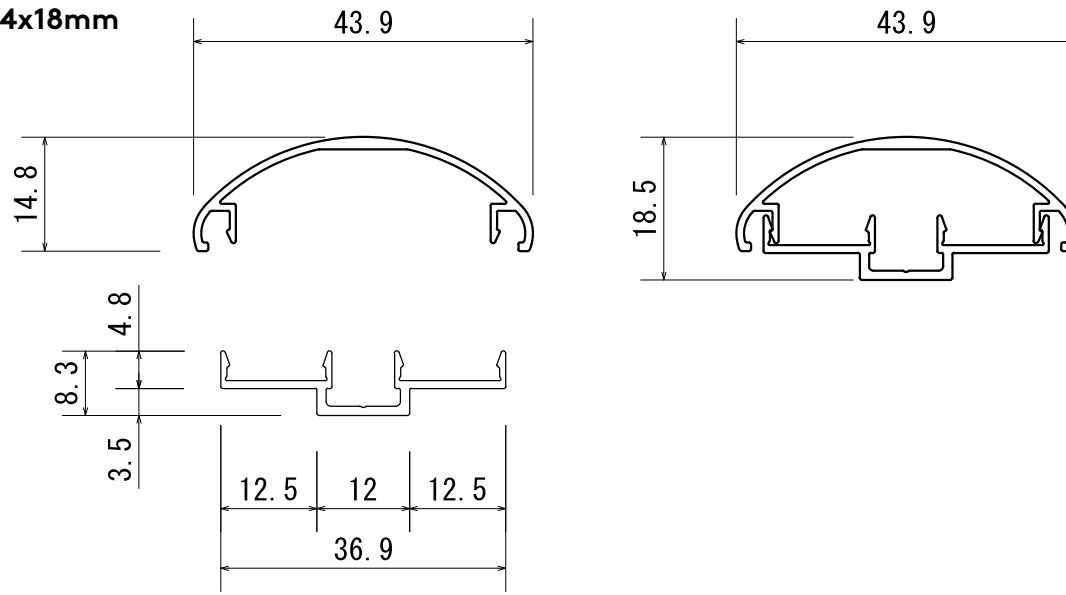
Kabebari batten detail

Profile: Mikadzuki 44x18mm

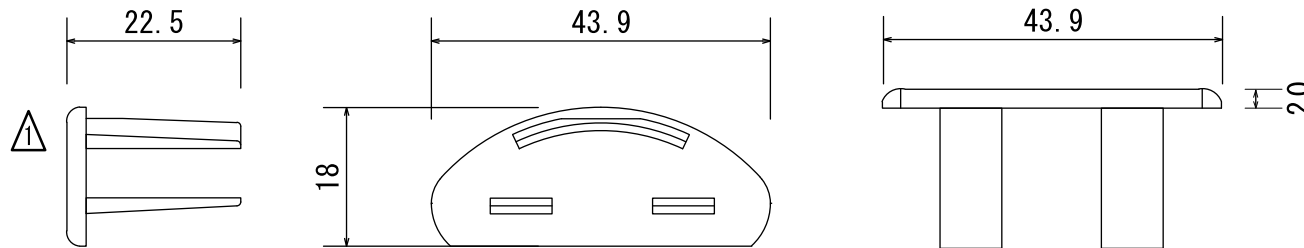
Base: 0.166kg/m

Cover: 0.202kg/m

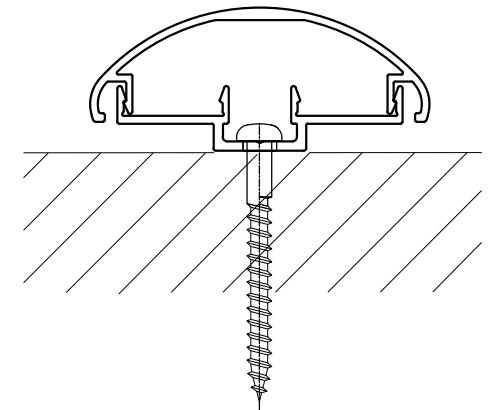
Total: 0.368kg/m



Endcap detail



Installation detail



3			Product Name				Project Name	Creation Date	Number	Scale	Projection
2			Ever Art Wood - Kabebari				Mikadzuki 44x18			1:1	⊕
1	End caps	Screw fix or apply exterior grade adhesive (eg. Sikaflex) to secure cap to batten.	Approval	Chek	Drawing	Design	Customer	Distributor		Manufacturer	
No.	DATE							covet			

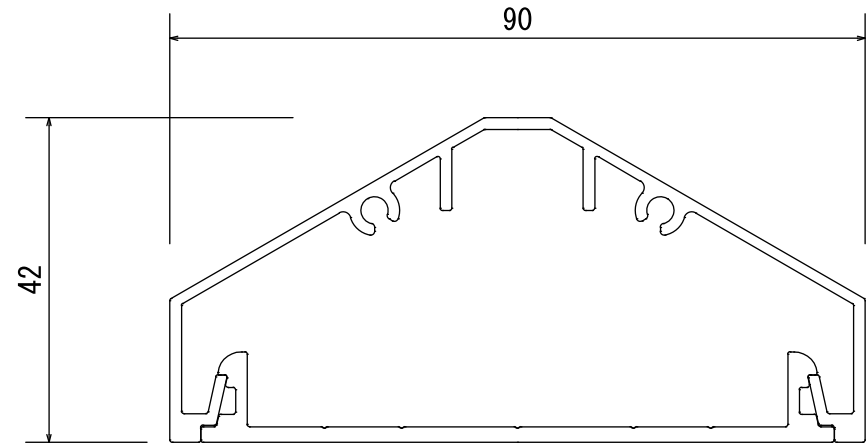
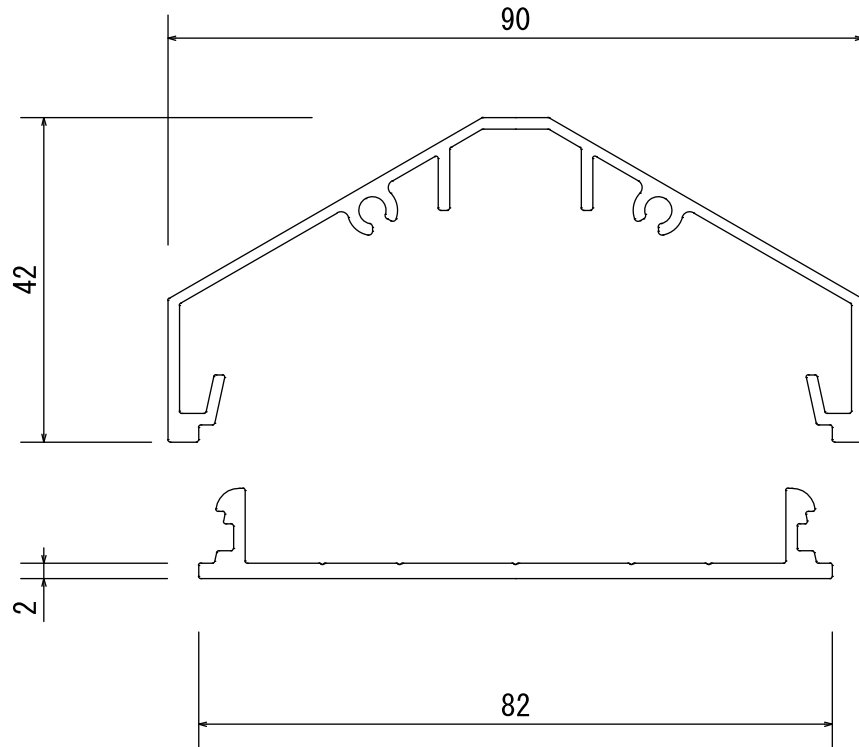
Kabebari batten detail

Profile: Domu 90x42mm

Base: 0.576kg/m

Cover: 0.802kg/m

Total: 1.378kg/m

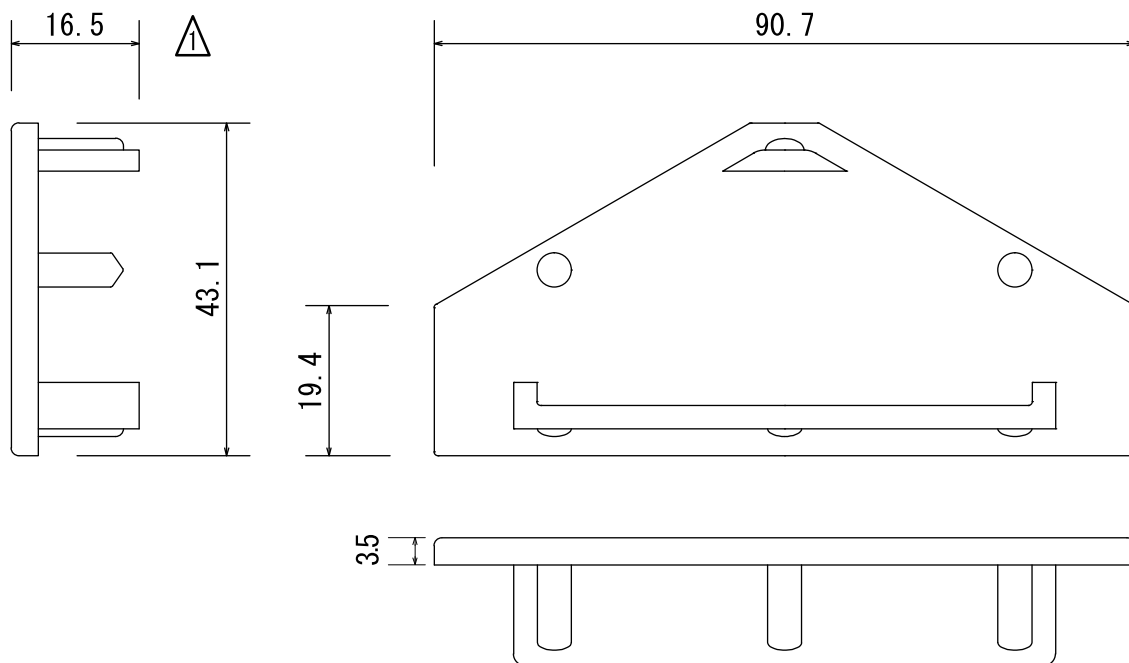


3			Product Name				Project Name	Creation Date	Number	Scale	Projection
2			Ever Art Wood - Kabebari				Domu 90x42			1:1	☉
1	End caps	Screw fix or apply exterior grade adhesive (eg. Sikaflex) to secure cap to batten.	Approval	Chek	Drawing	Design	Customer	Distributor		Manufacturer	
No.	DATE							covet			

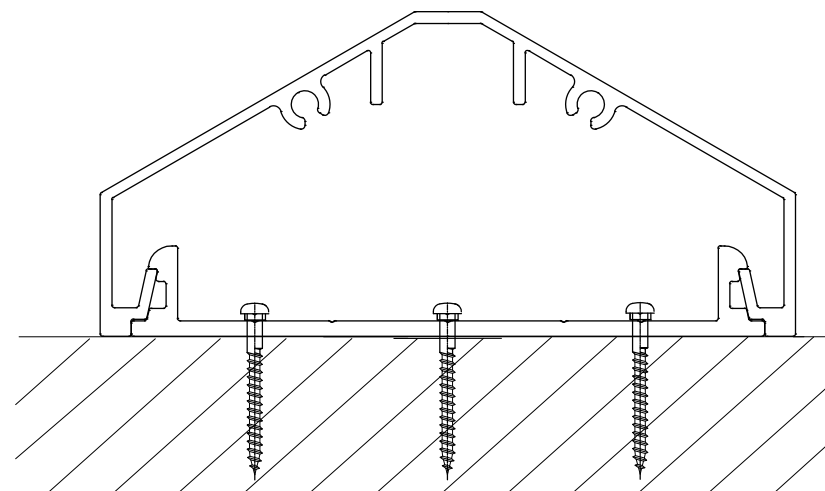
Kabebari batten detail

Profile: Domu 90x42mm

Endcap detail



Installation detail



3			Product Name				Project Name	Creation Date	Number	Scale	Projection
2			Ever Art Wood - Kabebari				Domu 90x42			1:1	⊕
1	End caps	Screw fix or apply exterior grade adhesive (eg. Sikaflex) to secure cap to batten.	Approval	Chek	Drawing	Design	Customer	Distributor		Manufacturer	
No.	DATE							covet			