



BUILT-IN



LIFE TASTES BETTER OUTDOORS



WE'RE FAMOUS FOR OUR BBQS. ARE YOU?

Life doesn't get much better than a beautifully cooked barbecue shared with family and friends. When you buy a BeefEater you're well on your way to being BBQ famous for flavour and taste. For 35 years BeefEater has been perfecting the barbecue to bring you the features, style, durability and functions to help you cook the perfect meal every time. Be BBQ famous with a Beefeater.

BUILT-IN

THE ULTIMATE IN OUTDOOR ENTERTAINING

A built-in BBQ will change the way you live. Anything you can cook inside, you can now cook outside, even a batch of brownies. BeefEater's built in range will help you create the outdoor space of your dreams. For entertaining and everyday it will seamlessly fit into any home. If exceptional outdoor entertaining and living is what you're looking for, look no further.





POWERFUL

KEEP ALL THE FLAVOUR SEALED IN

With our durable and powerful 17MJ cast iron burners.

CONVENIENT

CLEAN UP WITH EASE

For an easy, fast clean up, excess oil is drawn away into a convenient disposable tray.

QUALITY

EVENLY COOKED FOOD WITH CAST IRON

Evenly cooked food when you cook on high quality cast iron.

RELIABLE

READY, START, COOK

Start cooking quickly and easily with the Quartz one-press start.



BSH158SANG

SIGNATURE PROLINE

4 BURNER BUILT-IN BBQ

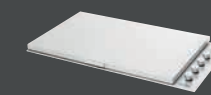
- Commercial grade 304 stainless steel on all external surfaces, trim surrounds and control knob caps
- 6 stainless steel burners - with total rating of 71 MJ/h
- Intuitive side mounted controls, with laser etched power level indicators
- Dual-layered roasting hood with integrated temperature gauge and warming rack
- Electronic ignition through control knobs
- With flame failure safety device
- LPG conversion kit included

SIDE BURNER

- Powerful triple ring 23MJ/h burner with Piezo ignition and flame thrower
- Cast iron trivet for both wok and flat pan cooking

SIGNATURE PROLINE

Also available in



6 burner with lid

BSL158ANG



side burner

BSW318SA



BSM2050SA

2000 SERIES

4 BURNER BUILT-IN BBQ

- Powerful 17MJ burners for even heat distribution
- Dual oil collection system
- Heavy duty cast iron premium cooktop
- Vaporizer grid for reduced flare ups
- Roasting hood with temperature gauge and large viewing window

2000 SERIES

Also available in



4 burner
BSB2040SA



LIMITED DISTRIBUTION



BDB1550GA

1500 SERIES

5 BURNER BUILT-IN BBQ

- Seamless and stylish control cover panel
- Cook more delicious food on our spacious cast iron cooktop
- Start cooking quickly and easily with the quartz one press start
- Seal in the flavour with our durable and powerful 15MJ cast iron burners
- Double layer roasting hood with temperature gauge captures all the flavour
- For an easy, fast clean up, excess oil is drawn away into a bottom drip tray
- Built to withstand high heat over time the burner box is fully welded
- Uninterrupted cooking with a roll away warming tray
- A roll away hood that allows the BBQ to sit snugly against the wall

1500 SERIES

Also available in



4 burner
BDB1540GA



3 burner
BDB1530GA



BS31560

SIGNATURE SL4000

4 BURNER + WOK BUILT-IN BBQ

- Stainless steel barbecue frame with rust resistant stainless steel cooktop and integrated side burner
- Stainless steel roasting hood with glass viewing window and internal lights
- Stainless steel heavy duty cabinet trolley with multi-purpose sliding drawers and storage compartments

SIGNATURE SL4000

Also available in



4 burner + wok

BS31550



BS12850

SIGNATURE 3000SS

5 BURNER BUILT-IN BBQ

- Stainless steel barbecue frame with rust resistant stainless steel cooktop
- Stainless steel roasting hood with glass viewing window
- Large removable stainless steel warming rack

SIGNATURE 3000SS

Also available in



4 burner

BS12840



BS12350

SIGNATURE 3000S

5 BURNER BUILT-IN BBQ

- Flame Failure - A safety device to stop the gas flow where flame fails
- Stainless steel roasting hood with large glass viewing window
- Rust resistant porcelain coated cast iron cooktop
- Large removable stainless steel warming rack

SIGNATURE 3000S



Also available in

4 burner

BS12340



BS19952

SIGNATURE 3000E

5 BURNER BUILT-IN BBQ

- Vitreous enamel roll back roasting hood with large viewing window and temperature gauge
- Durable vitreous enamel barbecue frame with rust resistant porcelain coated cast iron cooktop
- Strong quality die cast side shelves and side burner with powder coated lid

SIGNATURE 3000E



Also available in

4 burner

BS19942



BD16350

DISCOVERY 1100S

5 BURNER BUILT-IN BBQ

- Double lined stainless steel roll back roasting hood with large viewing window
- Rust resistant vitreous coated cast iron cooktop
- Large removable warming rack

DISCOVERY 1100S

Also available in



4 burner
BD16340



BD16252

DISCOVERY 1100E

5 BURNER BUILT-IN BBQ

- Vitreous enamel roll back roasting hood with large viewing window and temperature gauge
- Durable vitreous enamel barbecue frame with rust resistant porcelain coated cast iron cooktop

DISCOVERY 1100E

Also available in



4 burner
BD16242



3 burner
BD16232

COVERS

Full range of covers available to suit all mobile and built-in models.



BB94550
BUGG cover barbecue only



BB94560
BUGG trolley cover
(Bigg Bugg BACB200A)



BS94493, BS94494, BS94495
Signature built-in barbecue cover,
3, 4, 5 burner



BS94463, BS94464, BS94465
Mobile cover, 3, 4, 5 burner

ACCESSORIES

THE RIGHT TOOLS CAN MAKE ALL THE DIFFERENCE

When you choose our high-quality accessories for your BeefEater barbecue, you'll enjoy easy, effortless entertaining every time.

To see the full range of BeefEater Accessories including trim kits, covers, conversion kits and more visit shop.beefeaterbbq.com.au or see your BeefEater specialist retailer.

INSTALLATION



BB95140
BUGG natural gas kit
Full range of conversion kits available to suit all models



BB94992
BUGG 2 bag of hooks



BB23330
BUGG wall mount bracket

COOKWARE AND UTENSILS



BB94923
3 piece tool set



BS26410
Signature built-in 21MJ
side burner



BB92975
Baking dish enamel



BD94968
Professional barbecue tongs



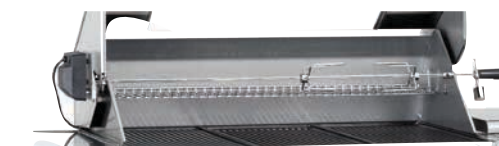
BD94945
Poultry roaster
(with integrated vegetable tray)



BD94941
Brass brush



BB92965
Roast holder



BD93523, BD93524, BD93525
Rotisserie kit, 3, 4, 5 burner



BD94969
Multi functional barbecue spatula



BB94982
Digital thermometer



BD94986
Large foil tray (10 pack)
(BD94985 small foil tray 10 pack)

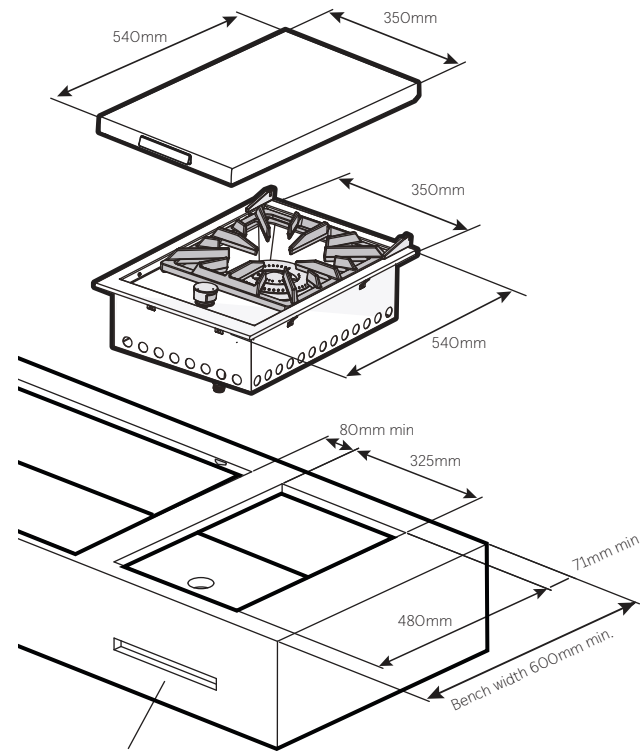


BB94935
Pizza stone and spatula

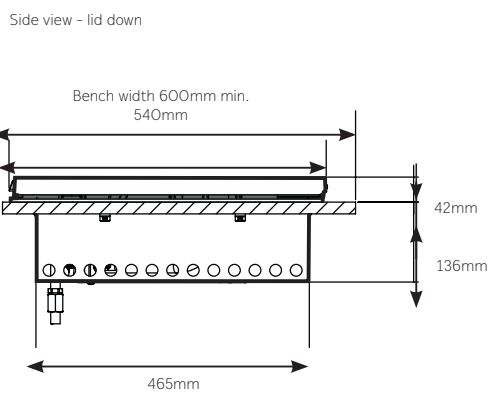
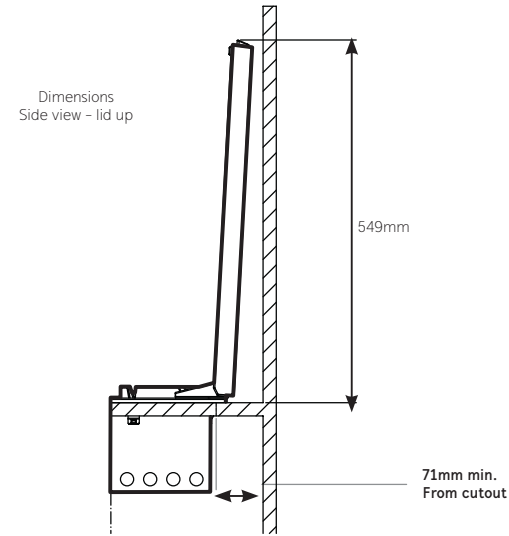
DIMENSIONS

SIGNATURE PROLINE PRODUCT AND CUT-OUT DIMENSIONS

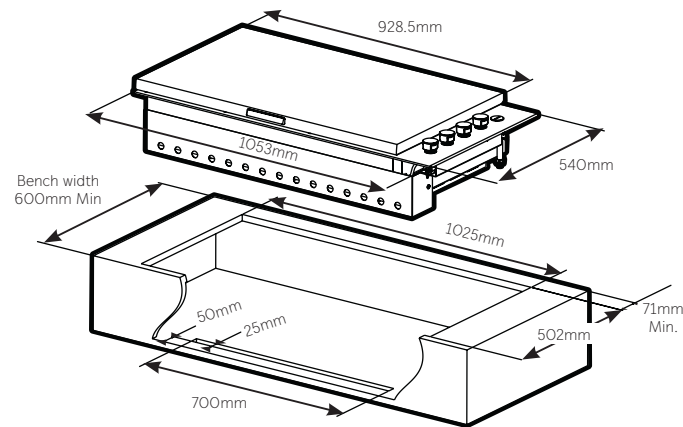
BSW318SA



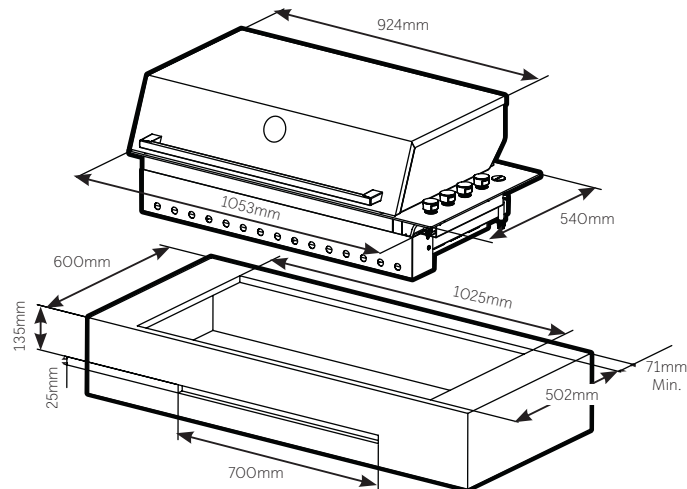
Vent 250mm x 25mm (required when installed separately to barbecue)



BSL158SA



BSH158SA

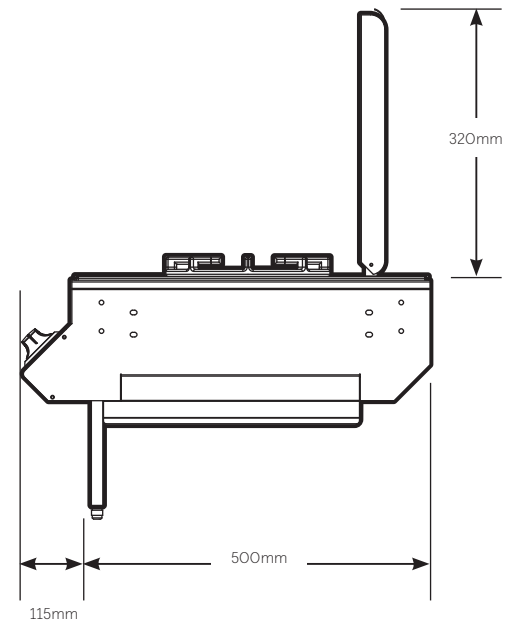
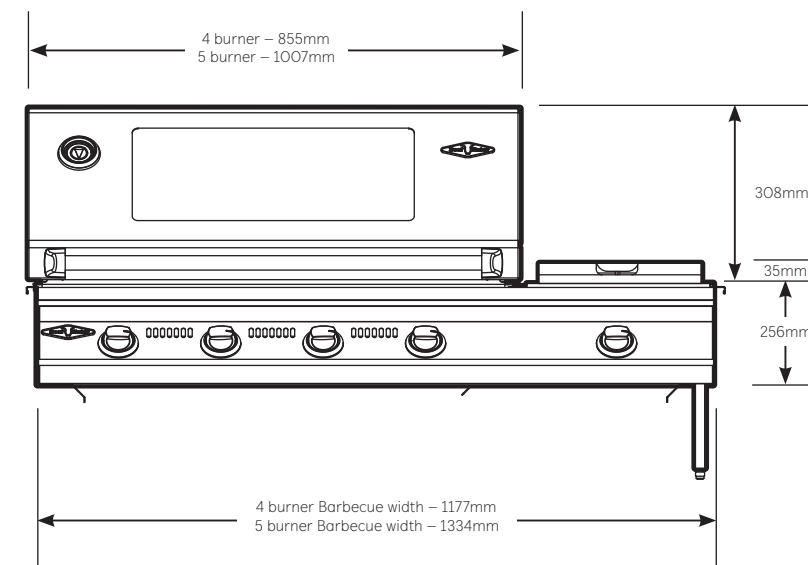
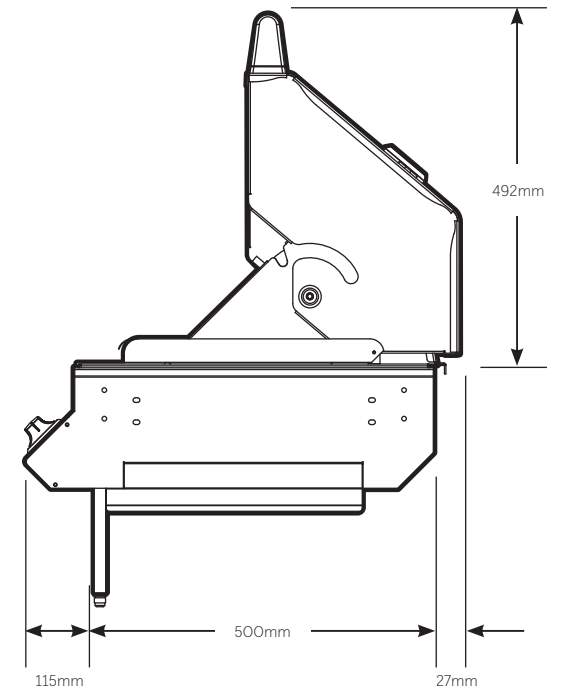
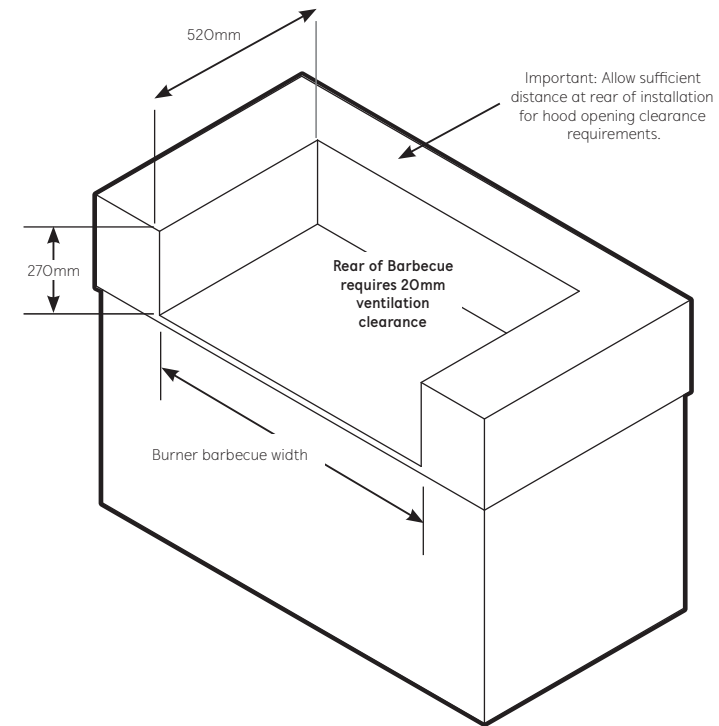


SIGNATURE SL BUILT-IN SERIES CUT OUT DIMENSIONS

For built-in installations: islands, masonry, other non-combustible material structures.

| SIGNATURE SL BUILT-IN BARBECUES | 4 burner | 5 burner |
|--|----------|----------|
| Width | 1190mm | 1345mm |
| Height | 270mm | 270mm |
| Depth (includes 20mm rear ventilation clearance) | 520mm | 520mm |
| Minimum clearance to combustible materials | 450mm | 450mm |

BS31560, BS31550



Please note: Dimensions to be used as a guide only. All customers MUST refer to the user manual supplied with the product for detailed installation instructions.

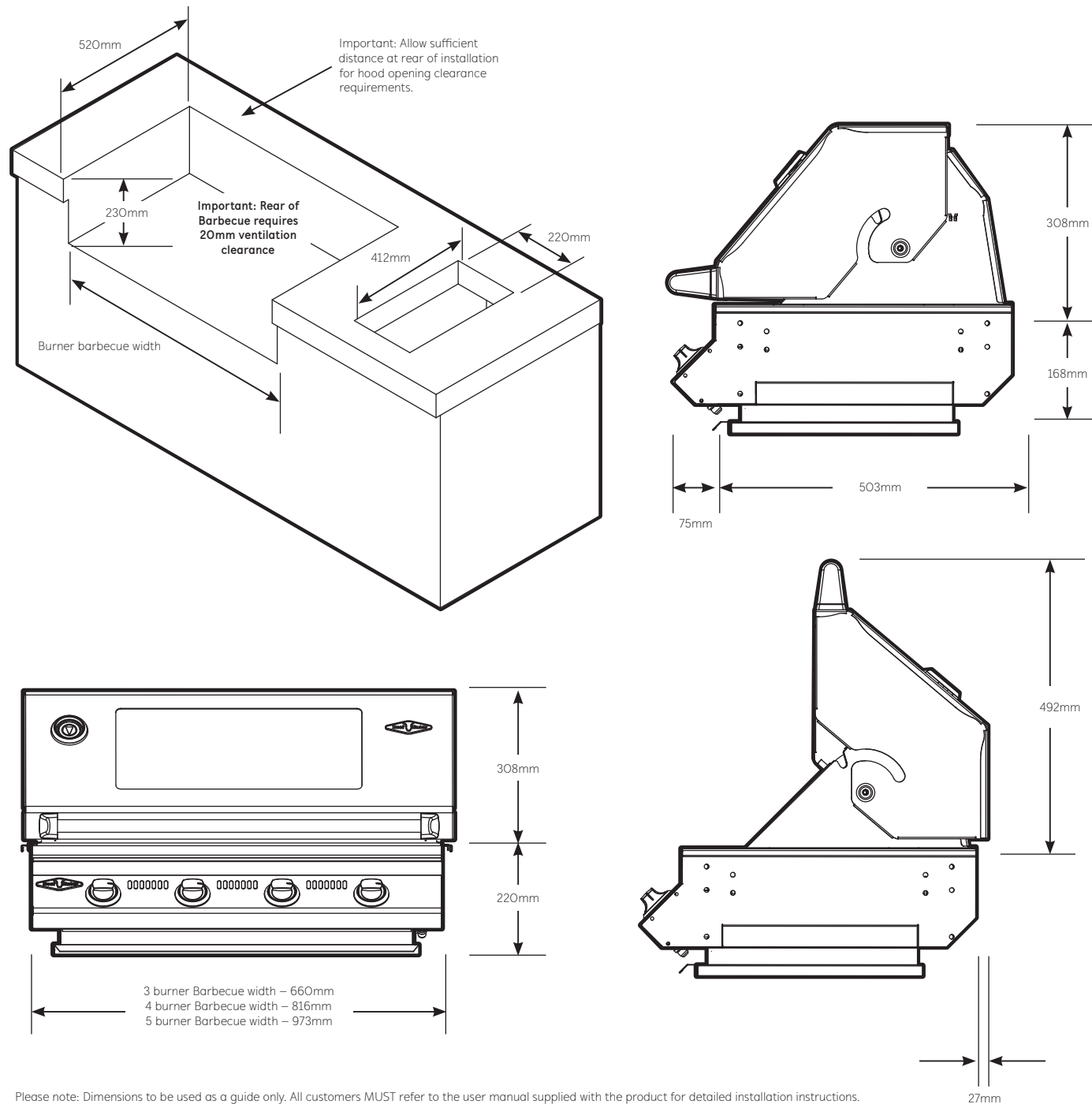
Please note: Dimensions to be used as a guide only. All customers MUST refer to the user manual supplied with the product for detailed installation instructions.

SIGNATURE BUILT-IN SERIES CUT OUT DIMENSIONS

For built-in installations: islands, masonry, other non-combustible material structures.

| SIGNATURE SERIES BUILT-IN BARBECUES | | 4 burner | 5 burner | SIDE / WOK BURNER | |
|--|--|----------|----------|--|-------|
| Width | | 828mm | 985mm | Width | 220mm |
| Height | | 230mm | 230mm | Depth | 412mm |
| Depth (includes 20mm rear ventilation clearance) | | 520mm | 520mm | Minimum clearance to combustible materials | 450mm |
| Minimum clearance to combustible materials | | 450mm | 450mm | | |

BS12850S, BS12840S, BS12350, BS12340, BS12850, BS12840, BS19952, BS19942



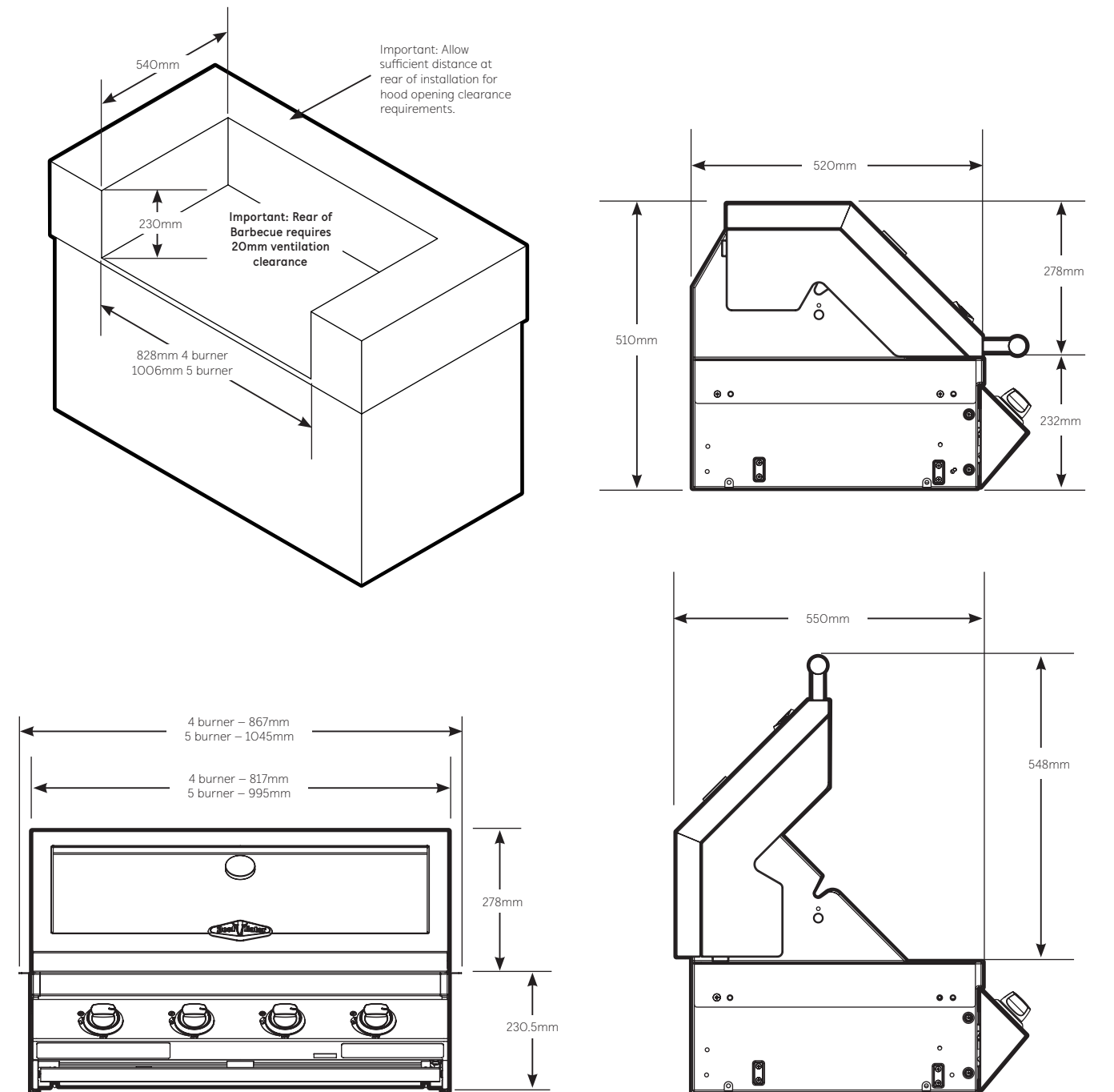
Please note: Dimensions to be used as a guide only. All customers MUST refer to the user manual supplied with the product for detailed installation instructions.

SIGNATURE 2000 BUILT-IN SERIES CUT OUT DIMENSIONS

For built-in installations: islands, masonry, other non-combustible material structures.

| | 4 burner | 5 burner |
|--|----------|----------|
| Width | 828mm | 1006mm |
| Height | 230mm | 230mm |
| Depth (includes 20mm rear ventilation clearance) | 540mm | 540mm |
| Minimum Clearance to Combustible Materials | 450mm | 450mm |

BSB2040SA, BSB2050SA



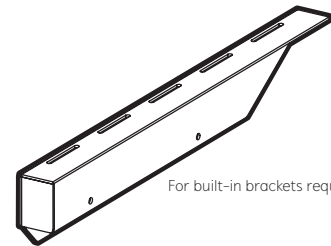
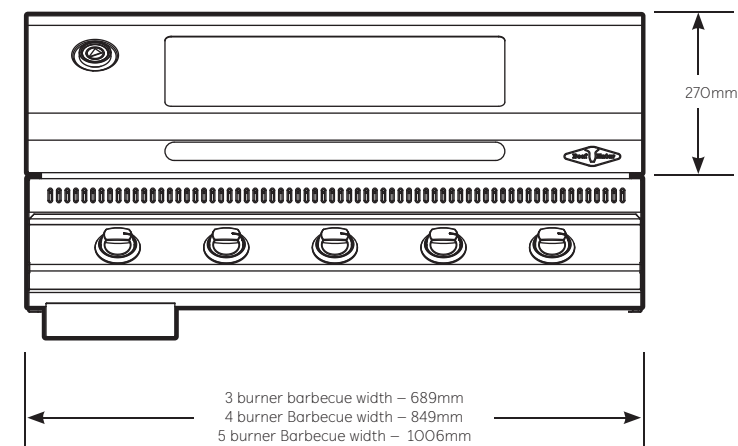
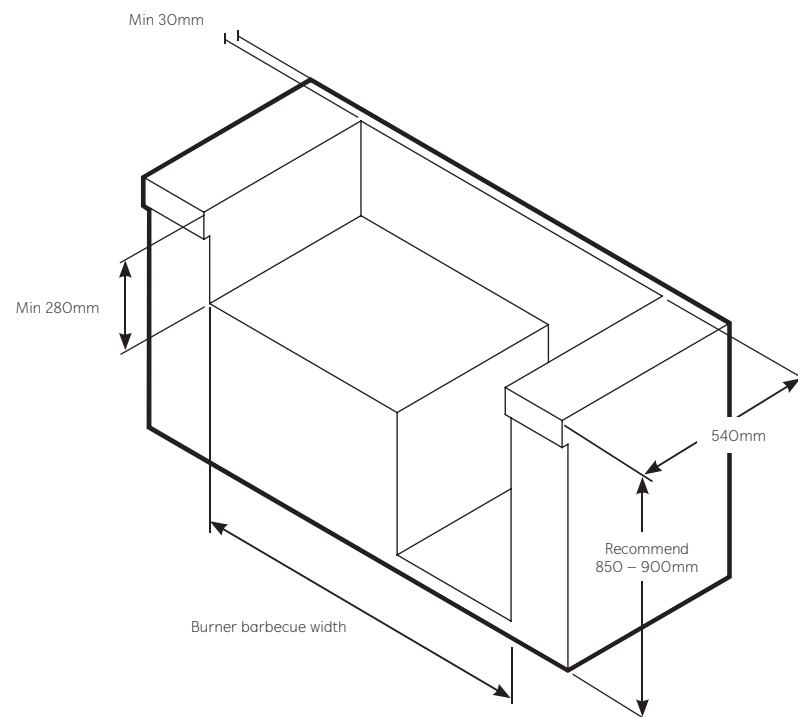
Please note: Dimensions to be used as a guide only. All customers MUST refer to the user manual supplied with the product for detailed installation instructions.

1100 BUILT-IN SERIES CUT OUT DIMENSIONS

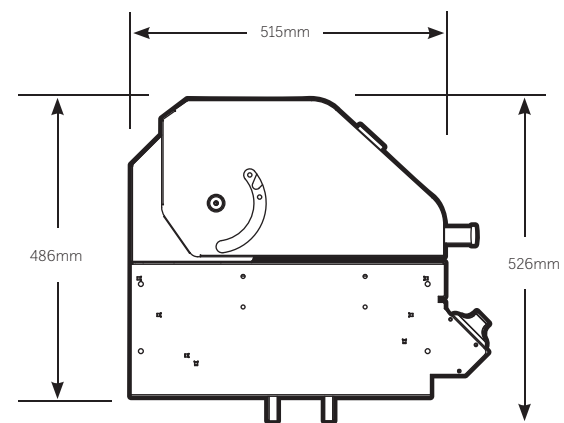
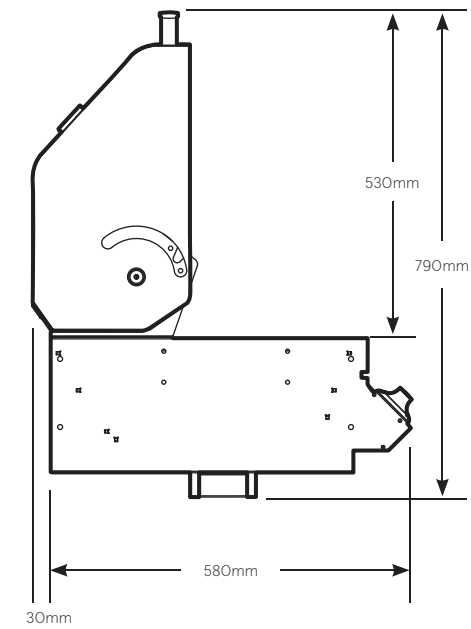
For built-in installations: islands, masonry, other non-combustible material structures.

| TO SUIT MODELS: 1100S AND 1100E | 3 burner | 4 burner | 5 burner |
|--|----------|----------|----------|
| Width | 720mm | 880mm | 1035mm |
| Height | 280mm | 280mm | 280mm |
| Depth (includes 20mm rear ventilation clearance) | 540mm | 540mm | 540mm |
| Clearance at rear (Min) | 30mm | 30mm | 30mm |
| Minimum Clearance to Combustible Materials | 450mm | 450mm | 450mm |

BD16340, BD16350, BD16232, BD16242, BD16252

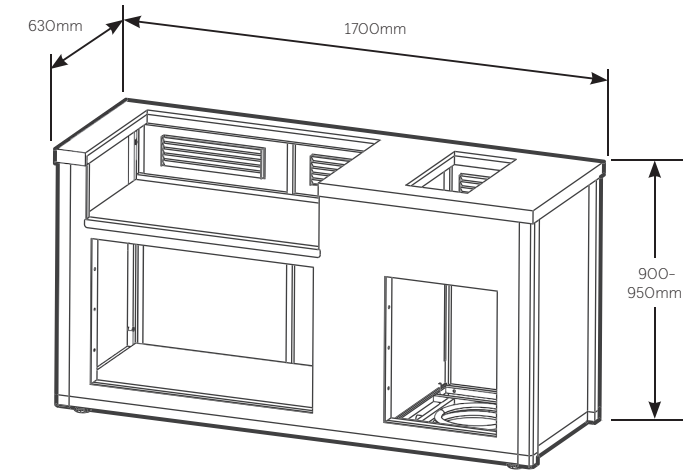


For built-in brackets required, see page 49.

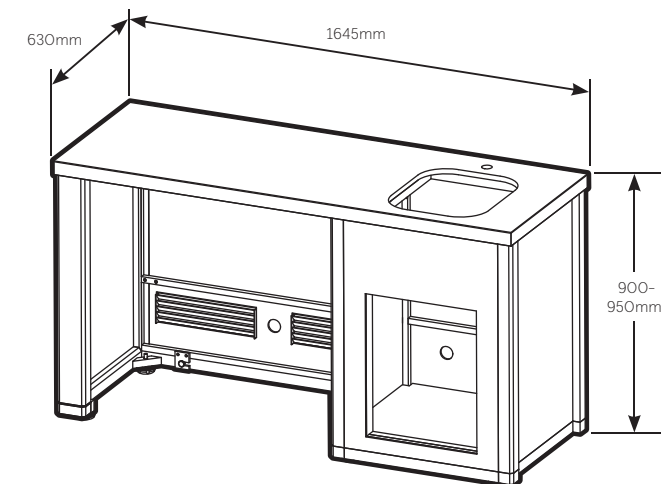


ARTISAN OUTDOOR KITCHEN CUT OUT DIMENSIONS

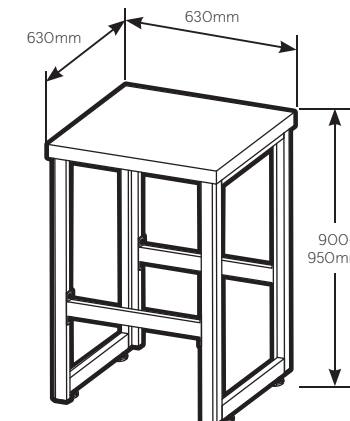
BS79920, BS79910, BS79900



BS79950



BS77310





For more information on all BeefEater products, or for dimension and installation information, call into your retailer, phone or email our customer care team or visit our website:

AUSTRALIA

phone: 1300 307 939

email: customercare@beefeaterbbq.com

web: beefeaterbbq.com

NEW ZEALAND

phone: 0800 436 245

email: customercare@electrolux.co.nz

web: beefeaterbbq.com

LIFE TASTES BETTER OUTDOORS

Not all models available in all stores, please check your local BeefEater retailer.

BeefEater. We are part of the Electrolux Family. To add a touch of professional inspiration to your home, visit electrolux.com.au

Electrolux Home Products Pty Ltd and Electrolux (NZ) Limited (collectively Electrolux) warrants that for domestic applications the Appliances featured in this brochure are free from defects in materials and workmanship for 2 years, and warrants that for featured accessories a period of 12 months, following the date of original purchase and subject to the conditions set out in the warranty card accompanying the product when purchased. This warranty is in addition to the other rights and warranties you may have under the Australian Consumer Law (ACL) and Electrolux will at all times comply with its obligations at law including the ACL. For New Zealand customers Electrolux will at all times comply with its obligations pursuant to law including the Consumer Guarantees Act, the Sale of Goods Act and the Fair Trading Act. Where appliances are purchased in NZ for commercial purposes the Consumer Guarantees Act does not apply.