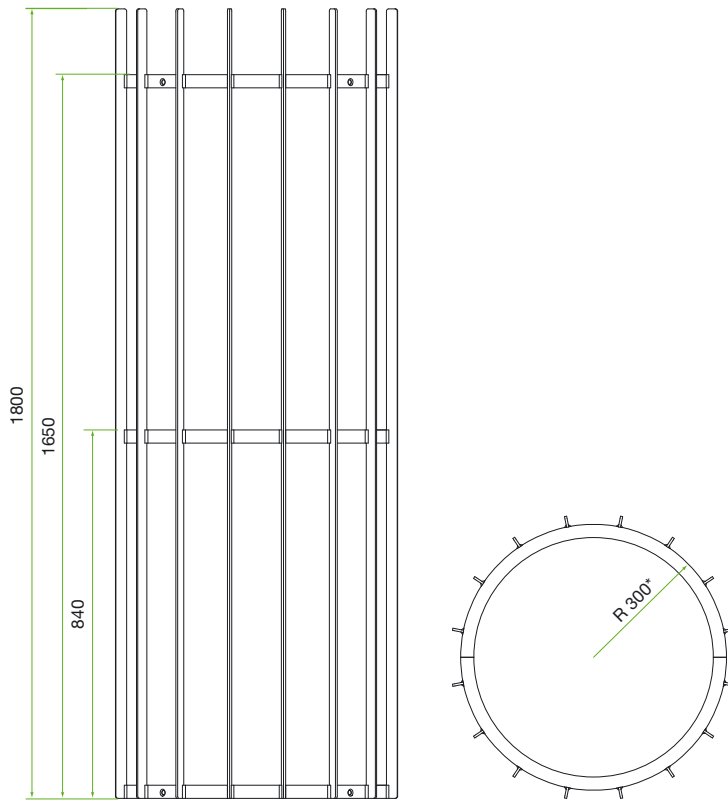


Citygreen® Coniston Tree Guard

Technical Specifications



*Note: Also available with centre radius of 250

TYPE

Coniston

CODE

SIZE

CONIS185A	1800 x 500mm Diameter
CONIS186A	1800 x 600mm Diameter

MATERIAL

Mild steel

FINISH

Zinc rich primer with polyester powder top coat to DIN EN ISO 12944-2

COLOUR

RAL 9005 Satin. Other RAL colours available to special order

WEIGHT

CONIS185A	55kg
CONIS186A	63kg

Citygreen® Derwent Tree Guard

Technical Specifications

TYPE

Derwent

CODE SIZE

DERW185A 1800 x 500mm Diameter
DERW186A 1800 x 600mm Diameter

MATERIAL

Mild steel

FINISH

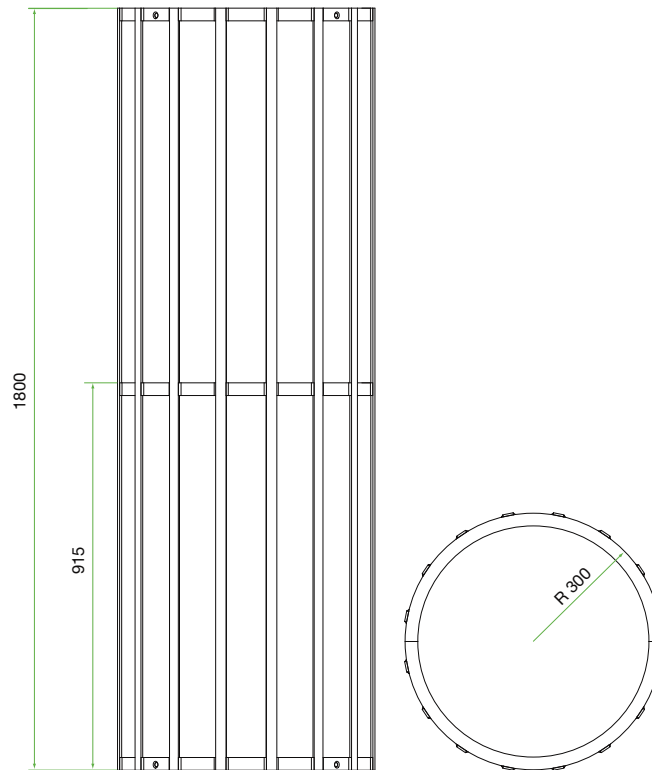
Zinc rich primer with polyester powder top coat to DIN EN ISO 12944-2

COLOUR

RAL 9005 Satin. Other RAL colours available to special order

WEIGHT

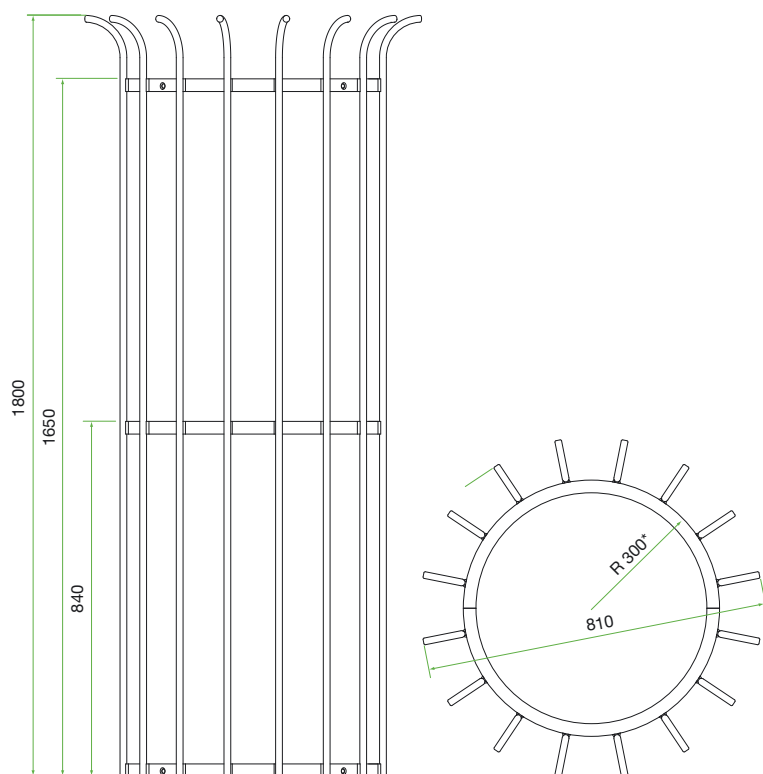
DERW185A 55kg
DERW186A 63kg



*Note: Also available with centre radius of 250

Citygreen® Ennerdale Tree Guard

Technical Specifications



*Note: Also available with centre radius of 250

TYPE

Ennerdale

CODE

SIZE

ENNER185A	1800 x 500mm Diameter
ENNER186A	1800 x 600mm Diameter

MATERIAL

Mild Steel

FINISH

Zinc rich primer with polyester powder top coat to DIN EN ISO 12944-2

COLOUR

RAL 9005 Satin. Other RAL colours available to special order

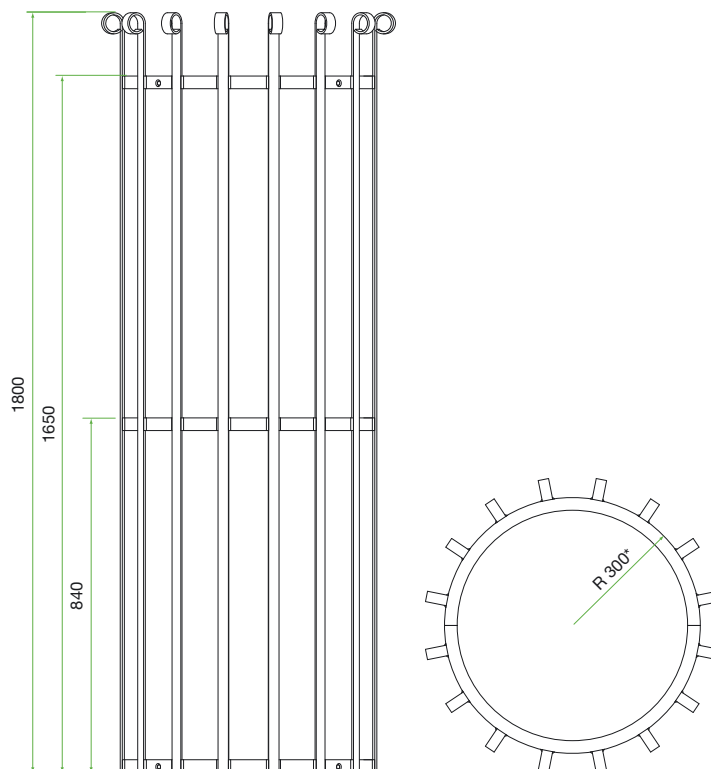
WEIGHT

ENNER185A	55kg
ENNER186A	63kg

Citygreen® Thirlemere Tree Guard

Technical Specifications

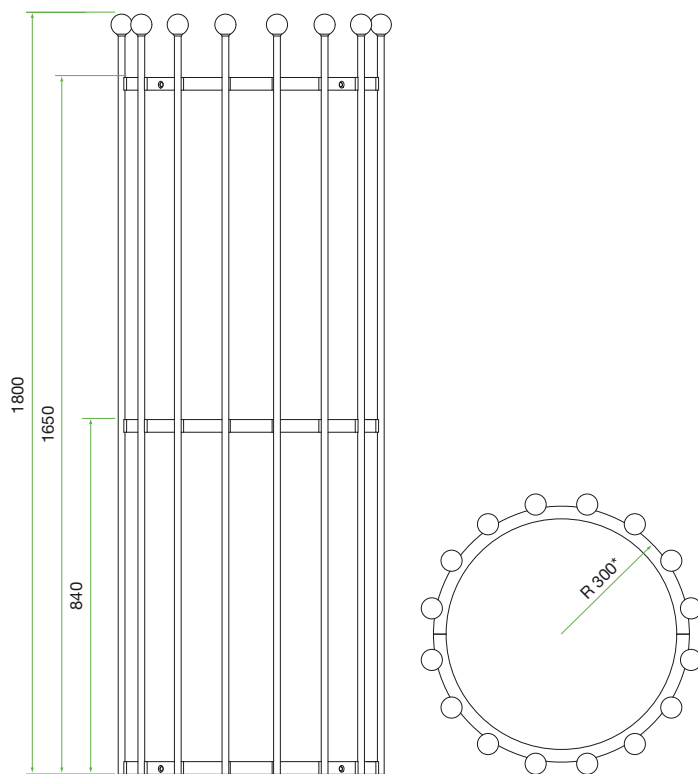
TYPE	
Thirlemere	
CODE SIZE	
THURL185A	1800 x 500mm Diameter
THURL186A	1800 x 600mm Diameter
MATERIAL	
Mild Steel	
FINISH	
Zinc rich primer with polyester powder top coat to DIN EN ISO 12944-2	
COLOUR	
RAL 9005 Satin. Other RAL colours available to special order	
WEIGHT	
THURL185A	55kg
THURL186A	63kg



*Note: Also available with centre radius of 250

Citygreen® Ullswater Tree Guard

Technical Specifications



*Note: Also available with centre radius of 250

TYPE

Ullswater

CODE SIZE

ULLS185A 1800 x 500mm Dia

ULLS186A 1800 x 600mm Dia

MATERIAL

Mild Steel

FINISH

Zinc rich primer with polyester powder top coat to DIN EN ISO 12944-2

COLOUR

RAL 9005 Satin. Other RAL colours available to special order

WEIGHT

ULLS185A 55kg

ULLS186A 63kg

Citygreen® Windermere Tree Guard

Technical Specifications

TYPE

Windermere

CODE SIZE

WIND185A 1800 x 500mm Diameter

WIND186A 1800 x 600mm Diameter

MATERIAL

Mild Steel

FINISH

Zinc rich primer with polyester powder top coat to DIN EN ISO 12944-2

COLOUR

RAL 9005 Satin. Other RAL colours available to special order

WEIGHT

WIND185A 55kg

WIND186A 63kg

