



## Adjustable Friction Stays & Restrictors



# Residential Adjustable Friction Stays

Established 40 years in Australia, Doric Products is known for its quality hardware solutions for the window and door industry and our improved stay and restrictor range is no different.

In light of recent changes to our industry where by awning and casement windows are getting bigger and heavier, Doric has a range of comprehensive solutions that will suit both residential and commercial applications.

With that in mind we are pleased to introduce our latest range of adjustable friction stays and restrictors. Manufactured from 304 Austenitic Stainless Steel to ensure corrosion free performance along with solid core spin riveted components for geometrical accuracy, the Doric stay and restrictor range will ensure Doric remain the first choice for window hardware solutions.

## Features & Benefits

- Manufactured from 304 Grade Stainless Steel
- Suitable for both Awning & Casement Windows
- Suitable for aluminium, timber and uPVC
- No handed design (except sizes over 20 inches)
- Available in 13mm Residential stack height
- Ease to install
- Polished surface for smoother operation and easy to clean

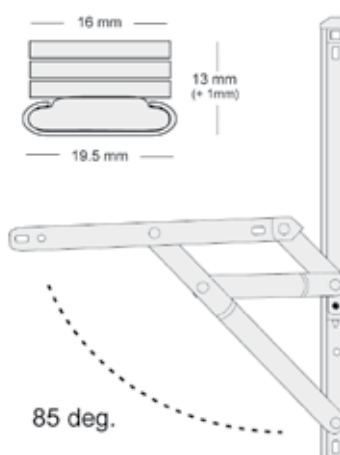
## Maintenance

- Regular maintenance is required for stays fitted in coastal, high humidity and corrosive environments for optimum operation.

## Technical

- For top hung windows over 1000mm in height, the opening should be restricted. We recommend Doric restrictor arms or the Doric restricted open chainwinder to be used.

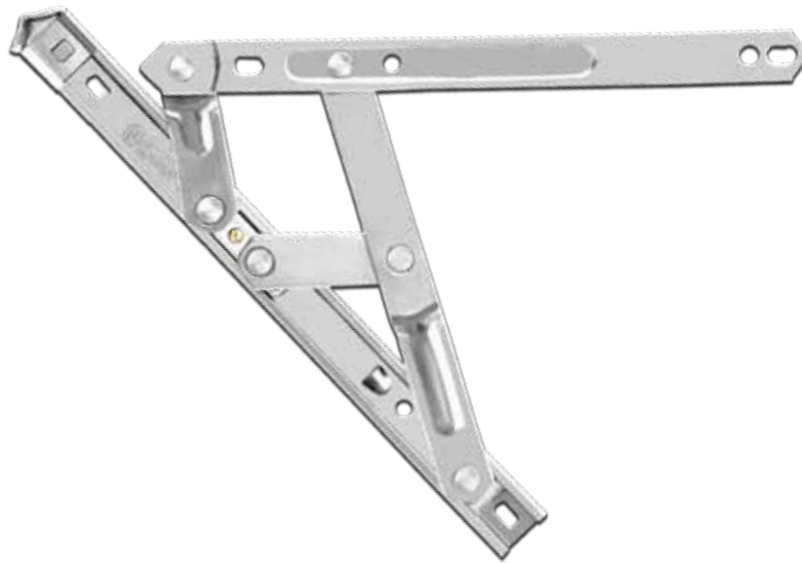
Technical Specifications	
<b>Parts:</b>	Channel & Arms
<b>Bar Thickness:</b>	Channel - 1.0mm Arms - 2.0mm
<b>Bar Width:</b>	Channel - 19.5mm Arms - 16.0mm



Top Hung						
Product Code	Size	Stack Height (+ 1mm)	Max. Vent Width	Max. Vent Height	Max. Weight	Opening
PD-8	8"	13 mm	1200 mm	300 mm	10 kg	60 deg.
PD-10	10"	13 mm	1200 mm	400 mm	16 kg	85 deg.
PD-12	12"	13 mm	1200 mm	500 mm	21 kg	85 deg.
PD-16	16"	13 mm	1200 mm	700 mm	22 kg	85 deg.
PD-20	20"	13 mm	1200 mm	900 mm	25 kg	40 deg.

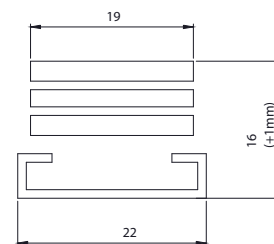
Side Hung						
Product Code	Size	Stack Height (+ 1mm)	Max. Vent Width	Max. Vent Height	Max. Weight	Opening
PD-8	8"	13 mm	400 mm	1200 mm	9 kg	60 deg.
PD-10	10"	13 mm	500 mm	1200 mm	12 kg	85 deg.
PD-12	12"	13 mm	600 mm	1200 mm	15 kg	85 deg.
PD-16	16"	13 mm	700 mm	1200 mm	18 kg	85 deg.
PD-20	20"	13 mm				Refer to manufacturer

# Commercial Adjustable Friction Stays



## Features & Benefits

- Manufactured from 304 Grade Stainless Steel
- Suitable for both Awning & Casement Windows
- Suitable for aluminium, timber and uPVC
- No handed design (except sizes over 20 inches)
- Available in 16mm Commercial stack height
- Ease and flexibility of assembly
- Polished surface for smoother operation and easy to clean



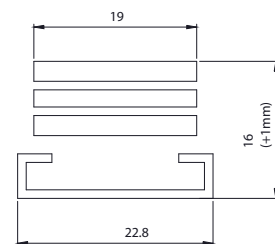
DN168 & DN169

## Maintenance

- Regular maintenance is required for stays fitted in coastal, high humidity and corrosive environments for optimum operation.

## Technical

- For top hung windows over 1000mm in height, the opening should be restricted. We recommend Doric restrictor arms or the Doric restricted open chainwinder to be used.



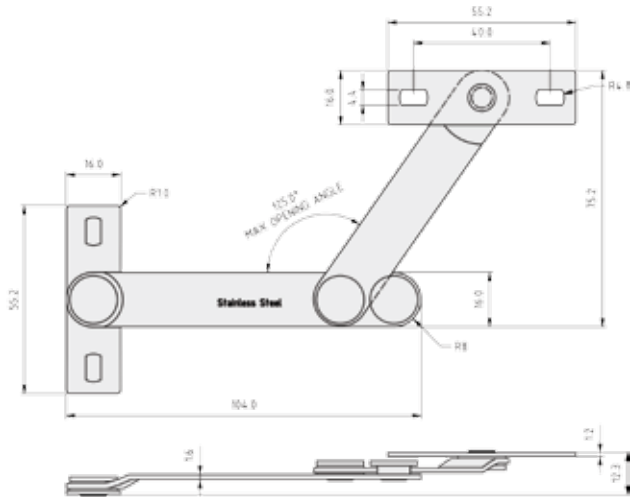
DN171/DN172/DN173

Code	Size	Window Type	Stack Height (+1mm)	Max Vent Height	Max Vent Width	Max Weight	Product Number
DN168	10"	Awning	16 mm	400 mm	1200 mm	26 kg	9030632
DN169	16"	Awning	16 mm	750 mm	1200 mm	40 kg	9030633
DN171	20"	Awning	16 mm	1600 mm	1600 mm	108 kg	9044288
DN172	24"	Awning	16 mm	1800 mm	1800 mm	120 kg	9044289
DN173	28"	Awning	16 mm	2000 mm	2000 mm	130 kg	9044290
DN168	10"	Casement	16 mm	1600 mm	500 mm	35 kg	9030632
DN169	16"	Casement	16 mm	1800 mm	750 mm	42 kg	9030633

# Security Stays

## SS0001

- Made from high quality 304 grade stainless steel
- Fits all residential and commercial window suites
- Designed for window cavities from 12mm - 16mm
- Easy to install



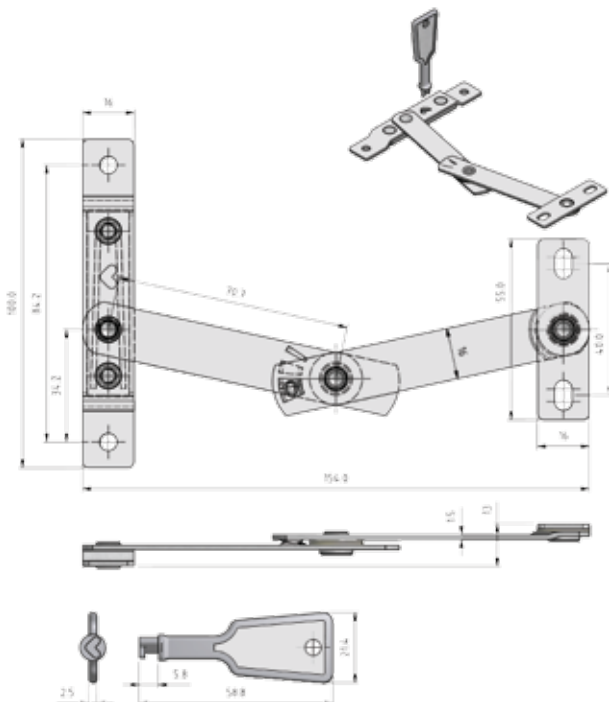
### Technical Specifications

<b>Material:</b>	304 Stainless steel
<b>Finish:</b>	Stainless steel only



## SS0003

- Made from high quality 304 grade stainless steel
- Fits all residential and commercial window suites
- Designed for window cavities from 12mm - 16mm
- Easy to install



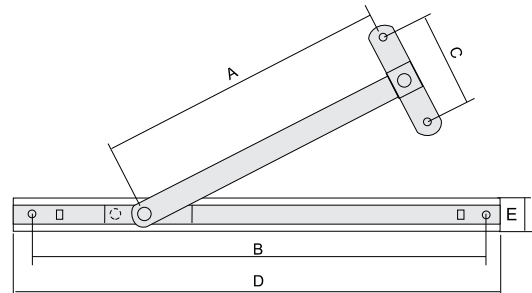
# Restrictor & Support Arms

Restrictors are exactly that, used to restrict the opening of an opened awning or casement window.

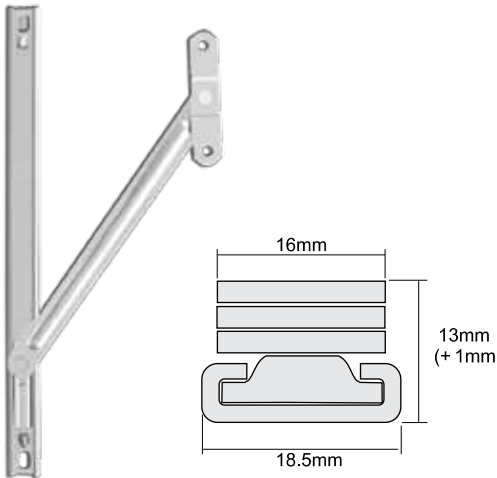
This innovative easy to install product range will hold in an open position when required. It is also ideal for controlling open sashes in exposed or high wind areas or where building code requirements demand restriction for safety reasons.

Within the Doric Restrictor & Support Arms range, we have a product that will suit all applications and window configurations.

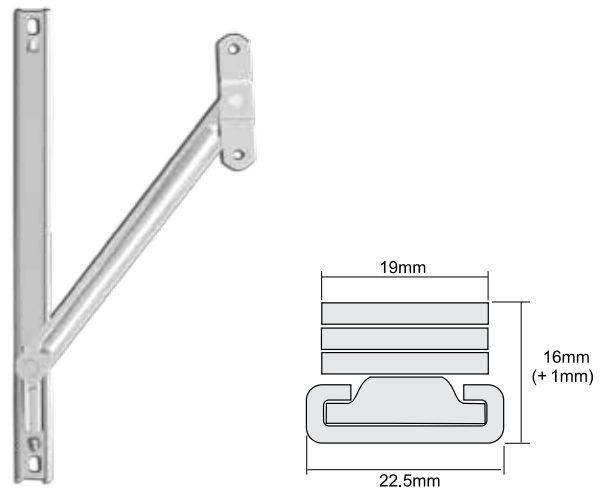
	DN164 - DSR 10	DN165 - PHR 10
Size (In)	10.5"	10.5"
Ref. A (mm)	180	177
Ref. B (mm)	249	249
Ref. C (mm)	57	58
Ref. D (mm)	268	268
Ref. E (mm)	18.2	22



## DN164 Standard Duty



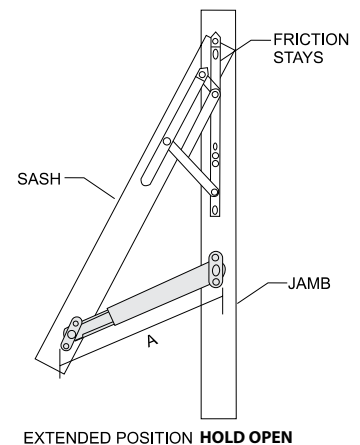
## DN165 Heavy Duty



## DN167 Support Arm with Self Latching



Model	Stack Height (+/- 1mm)	Open 'A'	Close 'A'
DN167 - PSA 10	16mm	254mm 10"	165mm 6.5"



Doric is the largest privately owned hardware manufacturer in Australia supplying innovative and industry leading door and window hardware for Residential, Commercial, Timber, Security and Architectural applications.

If you need any type of hardware for windows and doors talk to us at Doric! We also can create customised product to give you a unique offering and competitive advantage in the market.

**Melbourne**

U1/34-36 Deans Crt,  
Dandenong Sth, Vic 3175  
Ph: (03) 9587 3195  
Fax: (03) 9587 3196

**Brisbane**

U1/90 Pritchard Rd,  
Virginia, QLD 4014  
Ph: (07) 3865 7637  
Fax: (07) 3865 7645

**Perth**

2 Meares Way  
Canning Vale WA 6155  
Ph: (08) 9248 4133  
Fax: (08) 9248 4933

**Adelaide**

Unit 2 / 52 Wodonga St  
Beverley SA 5009  
Ph: (08) 8443 3370  
Fax: (08) 8443 3066

**Newcastle**

2/100 Munibung Rd,  
Cardiff, NSW 2258  
Ph: (02) 4956 8508  
Fax: (02) 4956 8495

**Townsville**

U1/42 Carmel St,  
Garbutt, QLD 4814  
Ph: (07) 4779 5122  
Fax: (07) 4725 5495

**Auckland NZ**

32/D William Pickering Dr  
Albany North Shore  
NZ 0751  
Ph : +64 9 415 5535  
Fax: +64 9 415 5545

**Asia Pacific**

7 Jalan Bulan U5 / 170  
Bandar Pinggiran Subang,  
40150 Shah Alam  
Selangor, Malaysia  
Ph : +60 3 7845 5017  
Fax: +60 3 7845 5014

**HEAD OFFICE**

160 Newton Rd,  
Wetherill Park  
NSW 2164  
Ph: (02) 9609 2555  
Fax: (02) 9604 2910

**EMAIL CONTACTS**

[sales@doric.com.au](mailto:sales@doric.com.au)

**WEBSITE**

[www.doric.com.au](http://www.doric.com.au)

