

Installation Guide

50mm Clip-On Series

As a result of our AliWood Pty Ltd constant product improvement program, product changes may occur. As such, AliWood Pty Ltd reserves the right to change product without prior written notification.

Introduction

This guide will show you how to manufacture & install the AliWood 50mm Clip-On Series.

IMPORTANT

Please read all the instructions prior to starting the installation of your Clip-On. Understanding the process correctly will be the difference between a good and great result.

The recommendations detailed in this guide produced by AliWood Pty Ltd are formulated along the lines of good building practice. They are not intended to be an exhaustive statement of all the relevant data. Further, as the success of projects depend on factors outside the control of AliWood Pty Ltd (e.g. quality of workmanship, particular design, detail requirements, etc). Aliwood Pty Ltd accepts no responsibility for, or in connection with, the quality of the projects or their suitability when completed.

Tools Required:



Drop Saw



Tape Measure



Spirit Level



Driver Bit



Drill / Driver

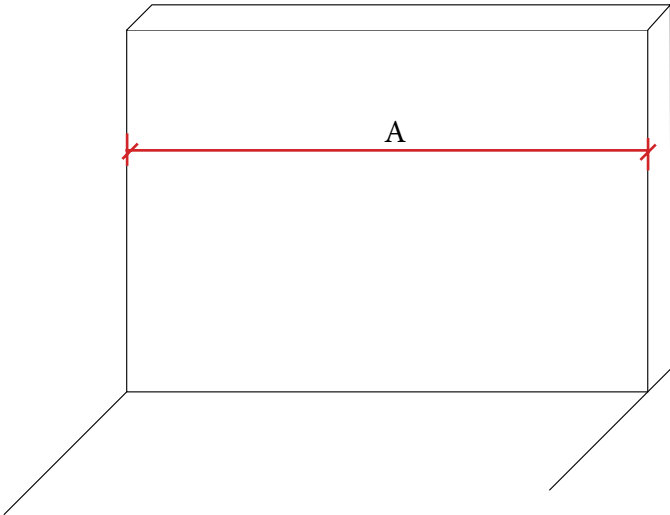
Size	Image	Standard Length
50 x 50mm		5.4m
100 x 50mm		5.4m
150 x 50mm		5.4m
Backing Plate		5.4m

Colours



Installation

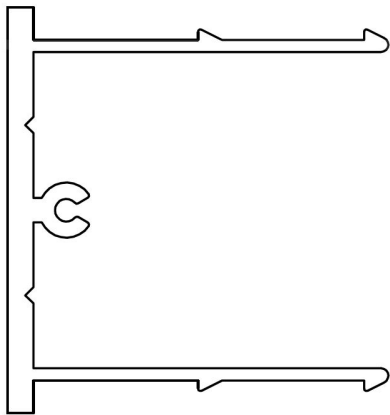
Step 1 - Measure the width of your wall or solid surface



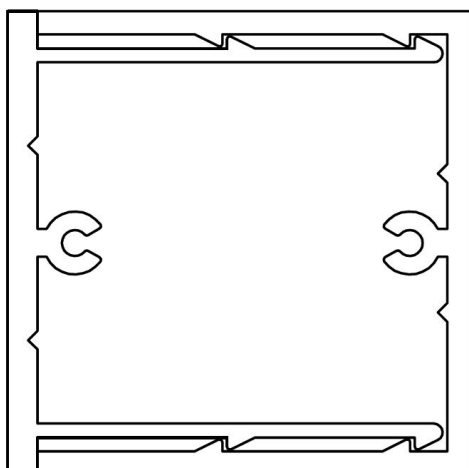
Note: Allow 2mm per metre for expansion / contraction.

Hint: Don't forget to allow for end caps if required.

Step 2 - Cut the backing plate to size, this must be the intended full length of the desired screen length (less 2mm per metre).



Step 3 - Cut the Clip-On slat to size



Installation

Step 4 - Secure the back of the tracking extrusion

Secure the back tracking to the level surface, screw fix with appropriate screws for the substrate at intervals recommended in the table below. Ensure that there is a fixing within 250mm of the end of each track. A suitable construction adhesive can be used in conjunction with screws to assist with keeping the track flat. (use a minimum of 3 fixings per backing plate).

It is essential to ensure the surface that the tracks are being fixed to is flat and level to ensure complete locking in of the screen system.

Hint: A recommended product to use for gluing is Sikaflex 11FC.

Minimum Screw Size: Waferhead or Hex Head 10g x 16mm - Metal
10g x 25mm - Timber

Recommended Fixing Spans Where Possible:

50mm = 900mm
100mm = 600mm
150mm = 450mm
200mm = 450mm

* In situations where recommended fixing span is not workable, all sizes can span up to 3 metres. All sections can be cantilevered at a maximum length of 1400mm.

Disclaimer: Subject to project engineer approval.

Step 5 - Attach the first piece of backing plate to the surface

Step 6 - Hold in place the second piece of backing plate and use spacers in between

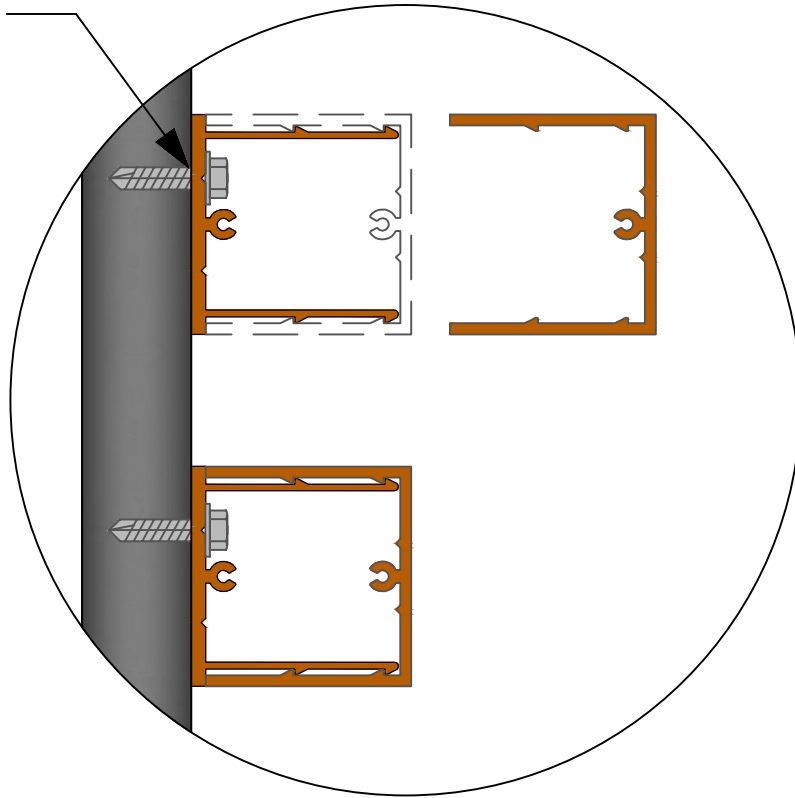
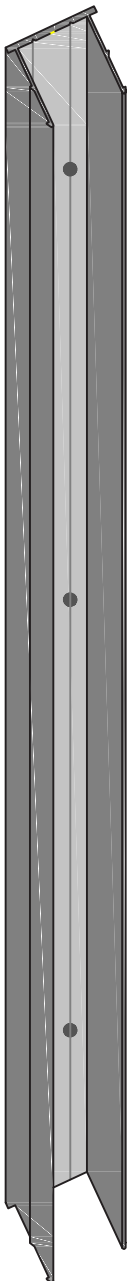
Hint: Spacer should allow for width of desired slat and gap between slat.

Step 7 - Place second piece of tracking onto surface and repeat until all tracking is spaced and glued to the surface

Hint: Spacer can be any material to represent the space between the finished slat width.

Installation

MIN 10g SCREW TO SUIT
BACKSTRUCTURE



Installation

Step 8 - Once tracking is in place, start placing Clip-On onto the tracking

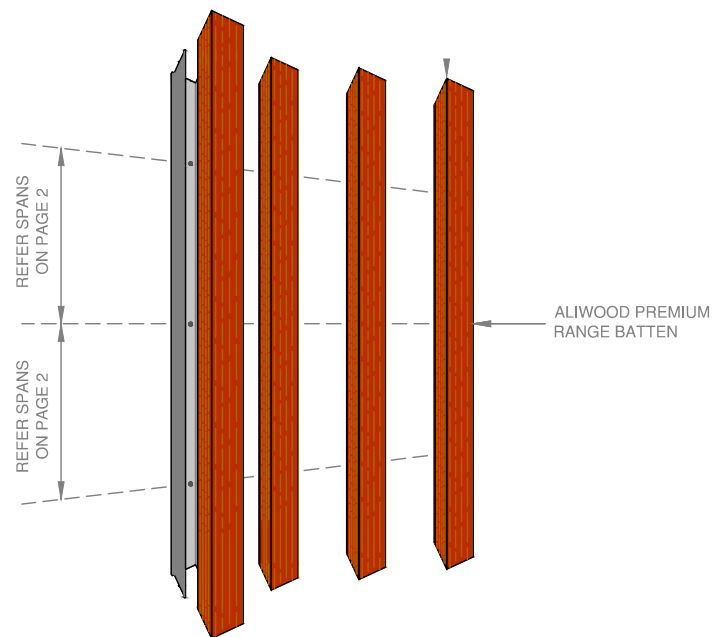
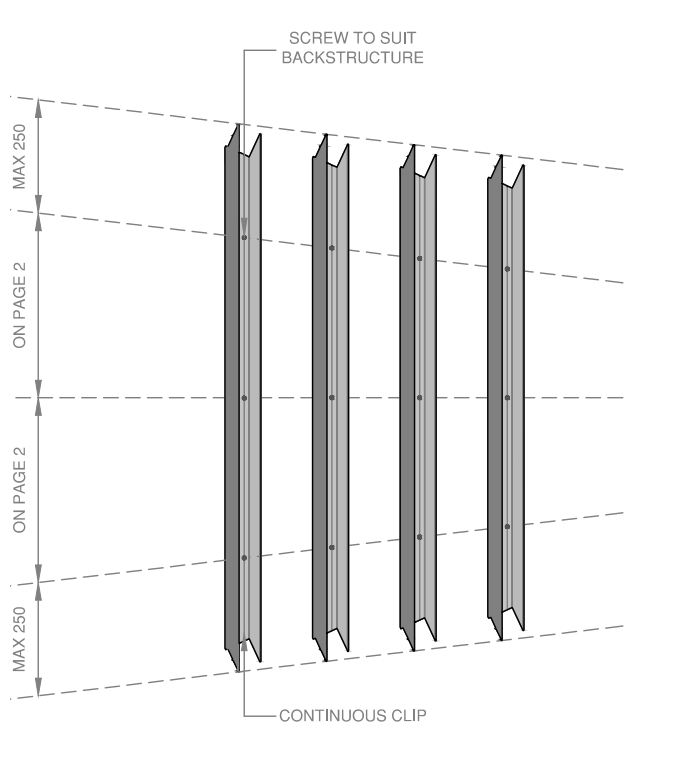
Hint: A rubber mallet may be used to knock long lengths of slats onto the backing plate.

Note: Allow time for glue to cure where applicable

Note: When joining Clip-on, ensure join for top piece does not coincide with backing plate.

Step 9 - Remove Plastic film from the Clip-On extrusion

Note: If fixing top piece to backing plate, only do so at one end to allow for expansion and contraction.

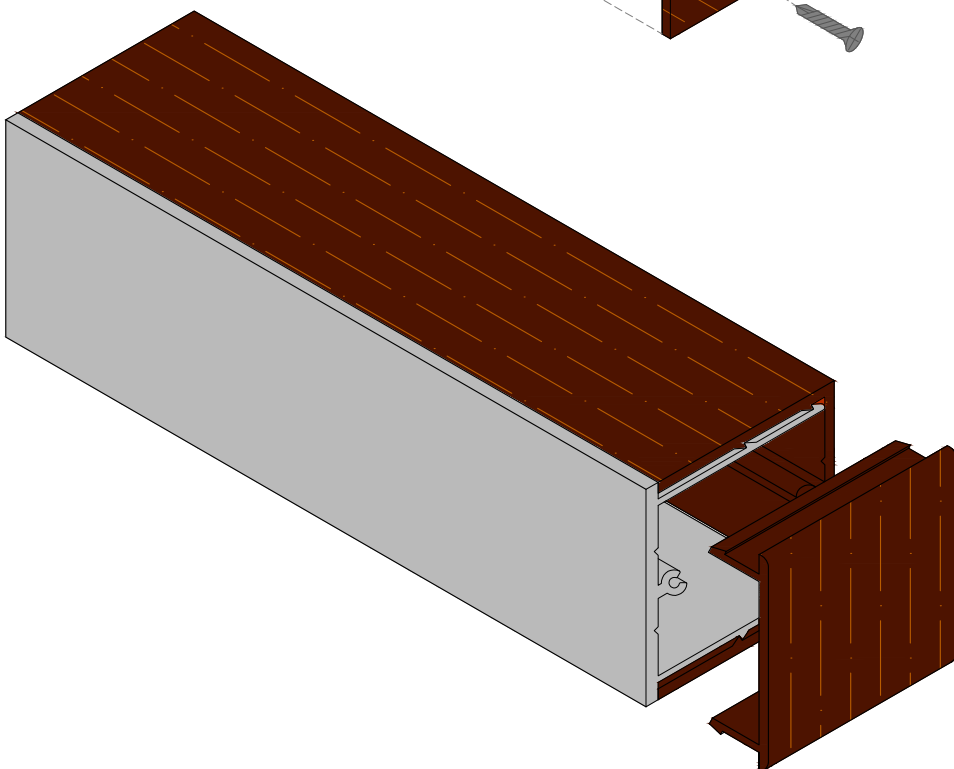
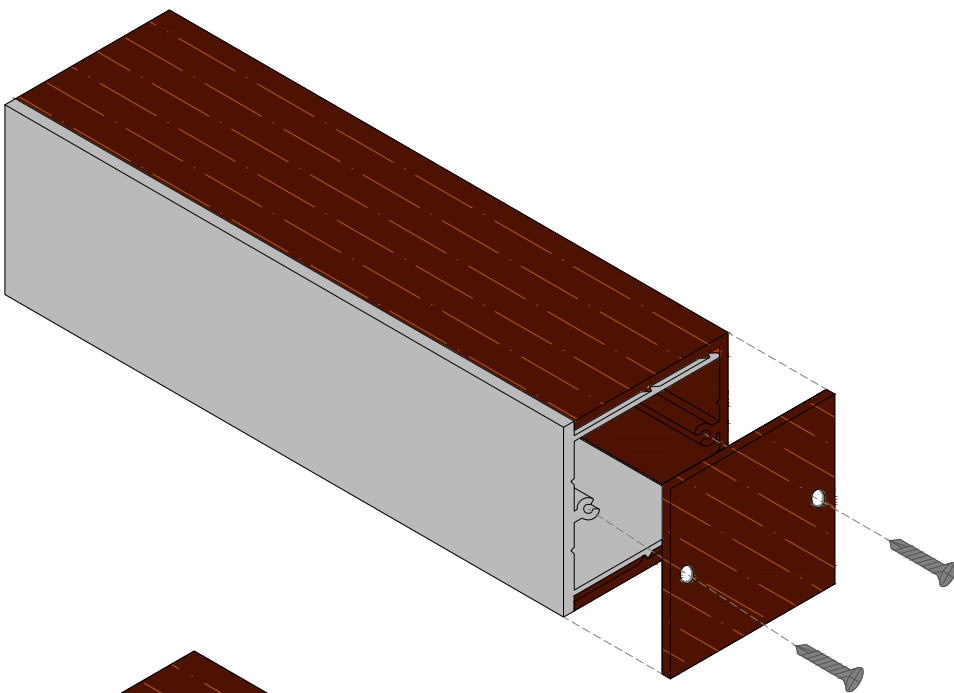


Installation

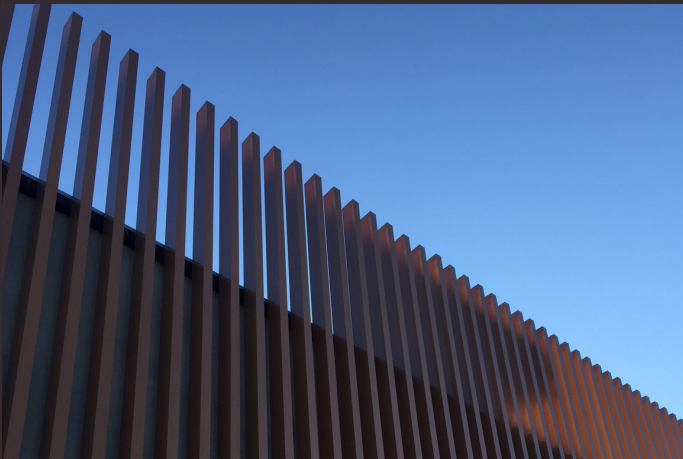
Step 10 – Fix End Caps to Profile

50mm: Both Screw & Clip On. Note only one end can have screw on cap that is screwed to both top piece and backing plate to allow for expansion and contraction.

Top End Caps: 50mm can use screw on top plate only. 100 - 150mm, use clip in caps. Screw cap through side wall to secure. Use screws provided with end caps.



Completed Projects



AliWood[™]
Looks like real wood

+61 3 5831 2574
+61 3 5831 2575

sales@aliwood.com.au
www.aliwood.com.au

445-447 Goulburn Valley Hwy Shepparton VIC 3631
PO Box 6458 Shepparton VIC 3632

ABN 25 613 779 025