

# Brilliant heat. Beautiful to watch.

The ultimate choice in wood and gas fires



Brilliant Heat. Beautiful to Watch.

## Convert your existing fireplace to the efficiency of a Jetmaster wood or gas fire.



Universal 850 wood burning with Carrara marble trim – shown here with hook-on safety screen.

Converting your existing fireplace to a Jetmaster wood or gas fireplace dramatically increases efficiency, eliminates smoking problems and transforms your smoky hole in the wall to a beautiful centrepiece.

As no flue is required (a Jetmaster will operate beautifully off the existing chimney), the installation is easy and cost effective. You can do it yourself or use our qualified installers. Jetmaster also supplies fascias, extensions, surrounds, mantels, and trims. Everything you need to renew your old fireplace and make it work much better than ever before.



1. Measure the height, depth and width of your fireplace recess.



2. Choose the appropriate firebox from a range of sizes.



Universal 700D with Victorian Nickel fascia, Windsor Limestone mantelpiece, Superheat coals with full Spanish Nickel front.



3. Installation complete with Universal 600, Plain arch fascia standard coals and Mahogany Richmond mantelpiece.



## DOUBLE-SIDED FIRES



Universal 1050 Double-sided wood burning.



Universal 700 Double-sided with Topaz pebble gas fire.

## The beauty and ambience of a Jetmaster double-sided fire.

A Jetmaster see through (double-sided fire) can make a stunning feature as a room divider or simply be used to divide and heat two separate rooms, either way you can enjoy round the room comfort of Jetmaster's two-way radiant and convected heat.

NB: A half glass panel fixed on one side may be required for Jetmaster double-sided wood fires to eliminate smoking problems that can occur due to through draft.



A hook-on safety screen is available for all Jetmaster Universal wood and gas fireboxes. Leave your fire burning overnight and the screen

does not get excessively hot, and if accidentally touched, will not cause harm to little fingers.



Universal 1050 wood burning.

## It's an impressive feature to include when you're building or renovating.

There's no better time than when you're building to include a fireplace, it's the feature that always becomes the focus of the home.

Building a full brick fireplace can be hit or miss, but by installing a Jetmaster, there's nothing for you or your builder to worry about. All the builder has to do is a minimal amount of hebel or brickwork around the prefabricated Jetmaster firebox.

Or you can do away with brick work altogether with our zero clearance units. When it comes to designing your fireplace, possibilities are endless with a Jetmaster. Because the Jetmaster system is self contained and so easy to install, it will save you up to half the price of a full brick chimney.

What's even more reassuring is that every Jetmaster is guaranteed for 15 years to work beautifully. You get super-efficient heating, no smoking, easy lighting, very little cleaning, plus the warmth and comfort of a Jetmaster fireplace.



Universal 1050 low low with Topaz gas pebbles.





Universal 700SH Freestander (pewter) with Topaz pebble gas fire.



Universal 1050 low low wood burning.

## The beauty of Jetmaster wood and gas fires.

**Up to 5 times more heat than a conventional fireplace.**

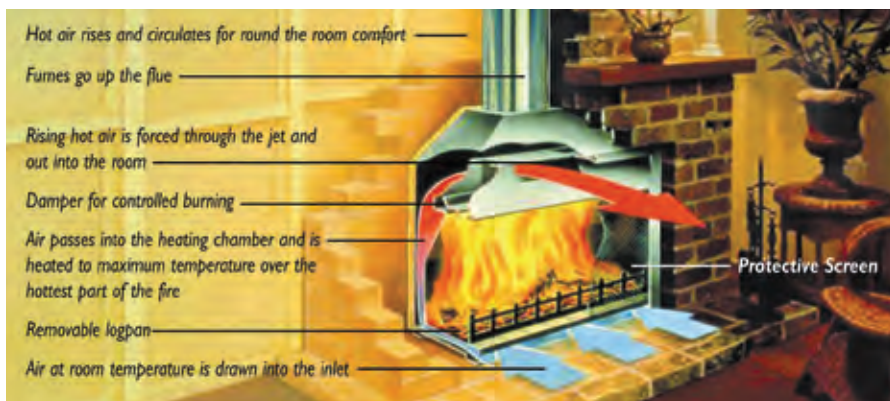
Cool air is drawn into the Jetmaster's super heating chamber. As it heats it rises and is forced out into the room through a jet at the top. The metal insert then radiates brilliantly.

This proven two-way heating system is the real beauty of Jetmaster. The firebox also incorporates a damper control, which governs the rate of burning, reduces heat loss and maximises overall efficiency, giving up to five times more heat than an average brick fireplace.\* An optional fan is available for gas.

### Screened for safety.

Spark proof and child proof flush fitting hook-on screen.

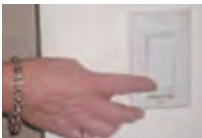
\*Ryerson Polytechnical Institute Toronto Canada.  
700D produces 15kw/51,000 BTUs within 46 minutes when burning wood.



## BEAUTIFULLY SIMPLE GAS



Universal 700sh low with Topaz pebbles and Nickel landscape hearth fascia.



Gas fires with more glow, more flame, more heat and more realism at the flick of a switch.

No other open gas fire compares with Jetmaster's high variable flame burners. Jetmaster's solid steel firebox is designed to take the hottest fire, be it wood or gas, so Jetmaster can offer you higher variable gas inputs than most other open gas fires, which means unbeatable realism and heat, and because the flame is variable you have total control of gas consumption.



Universal 850 with 4-sided Bronze nickel trim and New Modena Limestone mantelpiece.



Universal 850 low with 4-sided Bronze nickel trim, Iron bark logs with Nova black front.





Existing Jetmaster wood fire



Logpan removed and a 25mm hole is drilled on the RHS of the firebox.



Burner inserted and connected to fixed gas line.



Installation complete. 850 with Iron bark gas logs.

Not only do Jetmaster's high variable flame gas burners offer stunning realism but you also get stunning heat as well and because the flame is variable, you have total control of your gas usage.

All Jetmaster gas burners are Australian Gas Association approved which is your absolute guarantee of safety.



850 pebbles Topaz stainless steel front.  
Suits all 850 series models.  
Gas input high 65mj/hr, low 45mj/hr.



Iron bark 700 flat Nova stainless steel front.  
Suits 600, 700sh and 700D models. Not suitable for low models. Gas input high 55mj/hr, low 39mj/hr.



1050 Topaz pebbles.  
Suits 1050 series models.  
Gas input high 65mj/hr, low 45mj/hr.



Super heat coals with Spanish Black front.  
Suits all 600-850 series models.  
Gas input high 72mj/hr, low 50mj/hr.  
Not available in LPG.



700 Iron bark logs with Spanish brass front.



850 Iron bark Nova black front.  
Suits 850, 850low models.  
Gas input high 61mj/hr, low 43mj/hr.



Standard coals with picket front.  
Suits 440-700sh model series.  
Gas input high 55mj/hr, low 39mj/hr.



Deluxe coals with picket front.  
Suits 500 and 600 models.  
Gas input high 39mj/hr, low 21mj/hr.



700 Iron bark Sabre black front.

#### ADDITIONAL BURNER FRONT OPTIONS



Full Spanish Nickel front



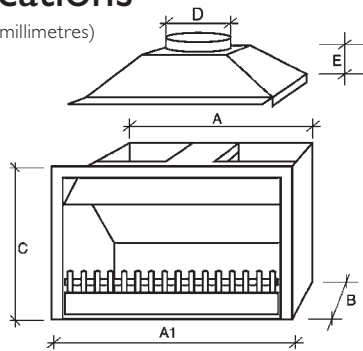
Sabre Nickel front



Spanish Nickel front

# Specifications

(Dimensions in millimetres)



## Jetmaster Universal

Heating Capacity (Sq.m)

|              | A    | A1   | B   | C    | D     | E   | Wood | Gas*** |
|--------------|------|------|-----|------|-------|-----|------|--------|
| 440          | 470  | 510  | 330 | 610  | 200   | 200 | 25   | 25     |
| 500          | 570  | 600  | 350 | 650  | 200   | 200 | 25   | 25     |
| 600          | 670  | 700  | 350 | 650  | 200   | 200 | 40   | 40     |
| 600 LOW      | 670  | 700  | 350 | 600  | 200   | 200 | 40   | 40     |
| 700SH        | 770  | 800  | 350 | 650  | 200   | 200 | 50   | 50     |
| 700SH LOW    | 770  | 800  | 350 | 600  | 200   | 200 | 50   | 50     |
| 700D         | 770  | 800  | 400 | 700  | 225   | 200 | 60*  | 50     |
| 850          | 920  | 950  | 450 | 750  | 250   | 220 | 80   | 60     |
| 850 LOW      | 920  | 950  | 450 | 700  | 250   | 220 | 80   | 60     |
| 1050         | 1120 | 1150 | 500 | 800  | 300   | 240 | 100  | -      |
| 1050 LOW LOW | 1120 | 1150 | 500 | 700  | 300   | 240 | 100  | 50     |
| 1200         | 1250 | 1300 | 605 | 1020 | 250** | 400 | 150  | -      |
| 1500         | 1550 | 1600 | 605 | 1020 | 300** | 400 | 150  | -      |

\*Tested to 15Kw at maximum burning.

\*\*Requires 2 flue outlets (single flue option also available).

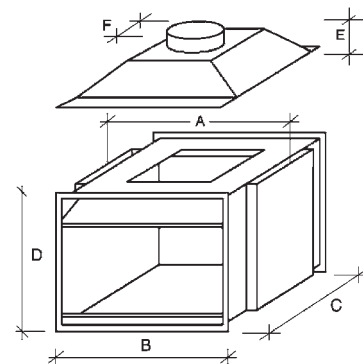
\*\*\*Depending on type of burner.

## GAS APPROVED

Jetmaster gas burners are AGA approved as type I appliances.

## WOOD APPROVED

Jetmaster Fires have qualified for the National Certificate of Exemption for Solid Fuel Heaters. This certificate is issued under Section 14 of the relevant legislation in that the maximum Carbon Dioxide output from the combustion chamber is less than 5% of the volume of the appliance.



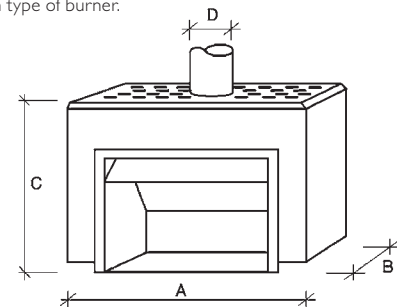
## Jetmaster Double Sided

Heating Capacity (Sq.m)

|      | A    | B    | C   | D   | E   | F    | Wood | Gas** |
|------|------|------|-----|-----|-----|------|------|-------|
| 700  | 850  | 800  | 610 | 700 | 220 | 345* | 60   | 40    |
| 1050 | 1205 | 1150 | 600 | 770 | 233 | 455  | 80   | -     |

\*NB: A 300mm flue can be used with gas.

\*\*Depending on type of burner.



## Jetmaster Freestanding

Heating Capacity (Sq.m)

|       | A    | B   | C   | D   | Wood | Gas* |
|-------|------|-----|-----|-----|------|------|
| 600   | 1000 | 390 | 845 | 200 | 50   | 50   |
| 700SH | 1050 | 390 | 845 | 200 | 60   | 50   |
| 700D  | 1100 | 440 | 945 | 225 | 80   | 60   |
| 850   | 1200 | 490 | 995 | 250 | 100  | 70   |

\*Depending on type of burner.

## THE JETMASTER GUARANTEE

Provided the Jetmaster Fireplace is installed according to Jetmaster instructions and a Jetmaster receptacle is used for fuel burning, the unit\* is unconditionally guaranteed for a period of 15 (fifteen) years (excluding rust) from the date of installation of the fireplace. \*Not including the log pan, glass doors or gas burner.

**“One of the best ways to address climate change is to use more wood not less. Wood is simply the most abundant biodegradable and reusable material on the planet.”**

– Patrick Moore, Co-founder of Greenpeace, *Washington Times*, January 2006.



## Heat your home and reduce greenhouse gasses

1. Burning wood in a Jetmaster open fire produces efficient home heating energy.
2. CO<sub>2</sub> is created by bush fires and decomposition. No energy is wasted when wood is burnt in a Jetmaster open fire.
3. CO<sub>2</sub> is absorbed by trees when growing.
4. O<sub>2</sub> is released into the atmosphere resulting in reduced greenhouse gas emissions.
5. Jetmaster supports the Firewood Association of Australia. Firewood merchants accredited by the F.A.A are able to supply sustainable dry fuel for use in efficient approved fireplaces. Use of sustainable dry fuel will not cause adverse air quality.
6. Burning fossil fuels such as coal fired electricity, oil and gas adds to greenhouse.

## Call into your nearest Jetmaster showroom

**NSW** 10 Martin Ave, Arncliffe 02 9597 7222  
 167 Eastern Valley Way, Castlecrag 02 9958 1777  
 3/10 Salisbury Rd, Castle Hill 02 9680 7279  
 17A Lyell St, Mittagong 02 4872 2234  
 334 Bruncker Rd, Adamstown, Newcastle 02 4952 9299

**QLD** 59 Pineapple St, Zillmere 07 3263 4955  
**SA** 19 Marlow Rd, Keswick, Adelaide 08 8371 1222  
**VIC** 444 Swan St, Victoria 03 9429 5573  
**WA** 277 Lord St, East Perth 08 9228 2600

[www.jetmaster.com.au](http://www.jetmaster.com.au)

Disclaimer: All products are subject to availability and may be changed without notice.



Brilliant Heat. Beautiful to Watch.