



# WHEN EVERY SECOND COUNTS ...

EMERGENCY SHOWERS  
EYE AND EYE/FACE WASHES  
PORTABLE AND SELF CONTAINED  
LABORATORY SAFETY  
DECONTAMINATION SYSTEMS

**ENWARE**

# workforce safety is at the heart of our **design**

Every second counts in the treatment of an injury and that's why Enware emergency systems are designed to deliver an effective response when accidents happen. Enware's emergency showers and eye washes are easy to operate and utilise proven technology for optimal functionality; making them essential in minimising the effects of injury.

- Durable stainless steel construction enhances reliability and performance
- Yellow powder coated activation points, provides the high visibility feature which is important if an emergency occurs
- The self draining shower has been designed to minimise the risk of bacteria growth, particularly in tepid water applications
- Third party certified to Australian Standard AS4775 and ANSI Z358.1

Enware emergency systems are relied upon throughout mining, petrochemical, oil refinery, chemical manufacturing, handling and storage, as well as laboratories and hospitals. For peace of mind that you have chosen equipment that will perform when needed, you can depend on Enware.



Global-Mark.com.au®



Global-Mark.com.au®



ANSI Z358.1  
SMKP20545



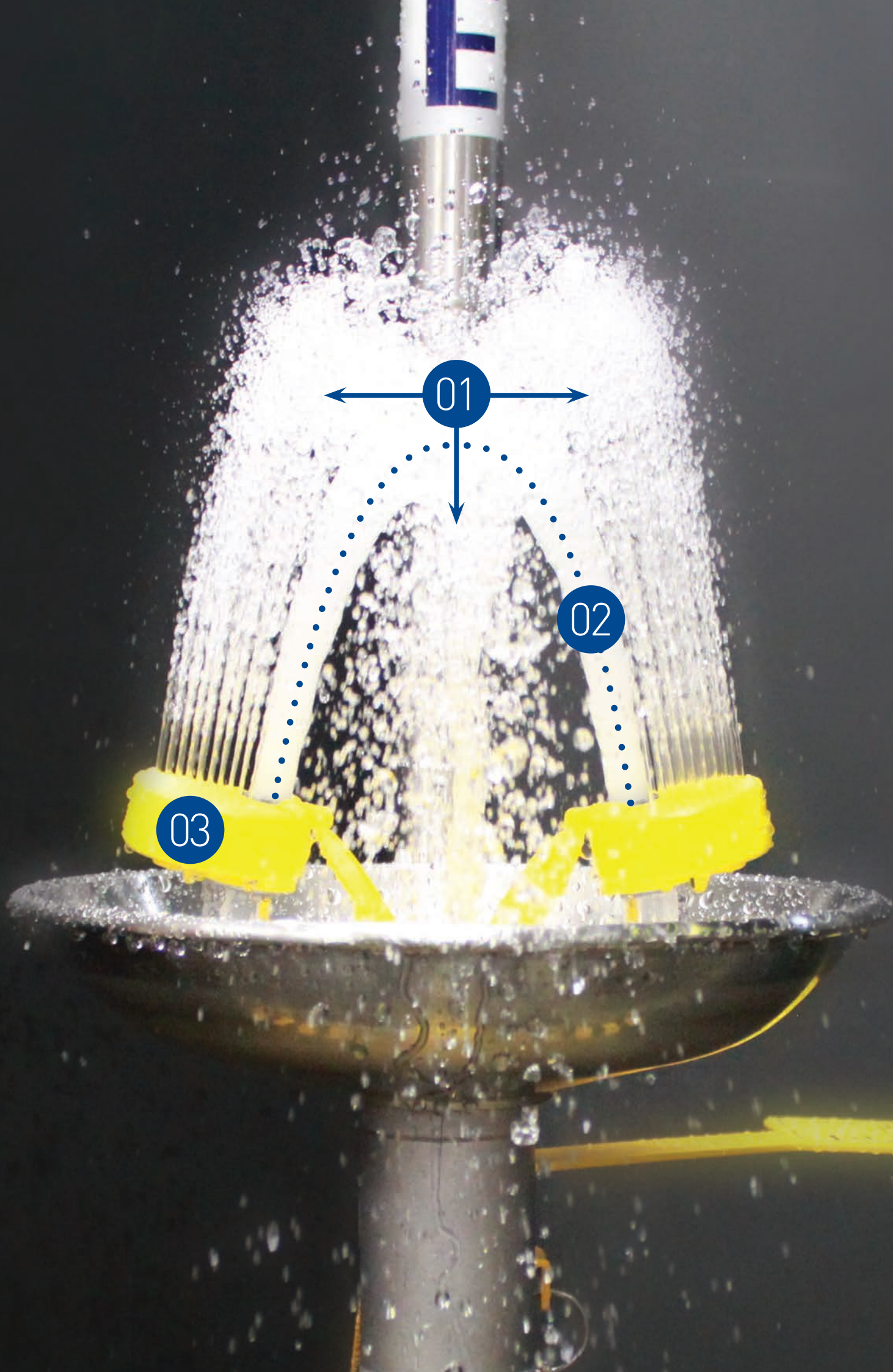
Australian  
Standard  
AS4775  
SMKP21998











01

02

03

# Enware VERTECH™ Technology for effective relief when **you need it** the most

- 01 Zero Velocity point provides more comfort and control
- 02 Dedicated eye wash streams for targeted flushing of eyes
- 03 Independently angled face wash streams provide optimum coverage

Enware's VERTECH™ Technology maximises flushing effectiveness and comfort for the eyes and face. This technology has been designed to create a Zero Velocity point. The reduced water velocity is gentle and effective helping to allow a greater amount of time in the flushing zone, which is important especially when flushing the sensitive eyeballs from hazardous materials.

Pictured is Enware Eye/Face Wash. Featuring two main dedicated aerated Eye Wash streams plus independently positioned streams for simultaneous flushing the face area.

# customised solutions to enhance your workplace safety initiatives

**Enware's experience and flexible manufacturing process mean emergency systems can be customised to suit your specific user, hazard or site requirements. Whether it's a self contained gravity fed shower or additional accessories such as audio visual alarms, Enware's experienced professional team can offer advice on the appropriate solution for any situation.**

## 01 Lighting

Green fluorescent lighting helps identify the location of emergency equipment.

Suitable for installation on the wall or shower.

Lighting is available for both hazardous and non-hazardous applications.

## 02 Alarms systems

Alarms alert colleagues and safety officers that an accident has happened and help is required.

Alarm systems can be configured as a local audio visual alert and/or to a BMS system.

Alarms are available for both hazardous and non-hazardous applications.

## 03 Protection from the elements

### Hot climate locations

Thermal insulation helps to keep the water in the pipework cooler. A thermal relief valve discharges the minimum amount of water required to keep temperature within safe limits.

### Cold climate locations

In colder climates the emergency system can be disabled if the water freezes in the pipework. An anti-freeze valve bleeds out near freezing water to help prevent damage to the system.

## 04 Corrosive environments

Powder coating provides extra protection for emergency systems installed in areas where chemicals are used or stored and in areas of high salinity. The colour options can also enhance visual safety by making equipment easier to see within the facility.

Standard colours:



*Other colours available on request.*

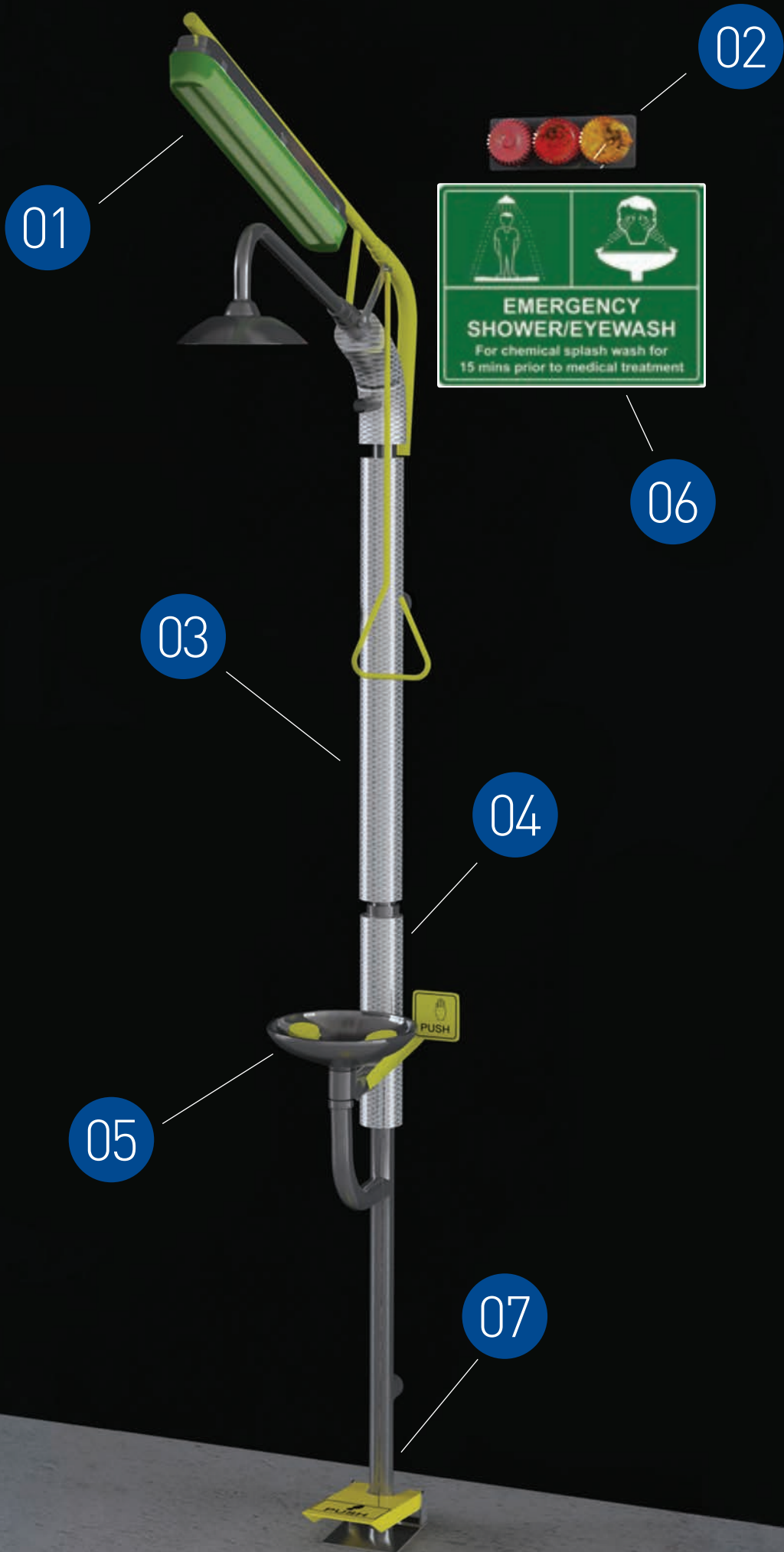
Products are manufactured in 304 stainless steel as standard and available in 316 stainless steel as an option.

05 For outdoor installations, particularly where emergency systems are not covered, consider a no bowl option.

06 **Signage** for easier equipment identification and compliance to AS4775 and ANSI Z358.1.

07 Optional foot pedal activation for the eye/face wash. Platform operated showers and eye wash systems are also available.





# emergency showers

**Enware's emergency safety showers assist in the flushing of contaminants from the body with a deluge of flushing fluid.**

**Stainless steel construction provides superior durability and reliability. Emergency showers are available as showers only or as combination showers with an Eye or Eye/Face Wash.**

- Designed and manufactured in Australia by Enware
- Independently tested for compliance to AS4775 and ANSI Z358.1
- Zero Velocity apex point provides more comfort and control for effective flushing of eyes
- Eye/Face Wash features VERTECH™ Technology where Eye Wash and independently angled face wash streams deliver optimum coverage
- Balanced simultaneous operation on combination shower
- 304 stainless steel finish is standard

## **OPTION:**

- 316 stainless steel
- Optional powder coating provides protection when emergency showers are installed in a corrosive or high salinity environment
- Powder coated showers stand out, making it easier to locate
- Other colours available on request

Green (add **GR** to end of code)

White (add **WH** to end of code)

Yellow (add **YE** to end of code)

Orange (add **OR** to end of code)





# emergency combination showers

## EYE/FACE WASH

Eye/Face Wash flush hazardous contaminants and irritants from face and eyes. VERTECH™ Technology ensures effective flushing of contaminants.



**Order Code:**

**ECE240 – Emergency Shower with Eye/Face Wash Hand Operated**

**ECE270 – Emergency Shower with Eye/Face Wash Hand and Foot Operated**

## EYE WASH

Eye Washes flush hazardous contaminants and irritants from eyes.



**Order Code:**

**ECE060 – Emergency Shower with Eye Wash Hand Operated**

**ECE090 – Emergency Shower with Eye Wash Hand and Foot Operated**

## NO BOWL OPTION

Eye Wash and Eye/Face Washes are available with a no bowl option suitable for outdoor applications.



**Order Code:**

**ENBE060 – Emergency Shower with Eye Wash Hand Operated – no bowl**

**ENBE090 – Emergency Shower with Eye Wash Hand and Foot Operated – no bowl**

**ENBE240 – Emergency Shower with Eye/Face Wash Hand Operated – no bowl**

**ENBE270 – Emergency Shower with Eye/Face Wash Hand and Foot Operated – no bowl**

When choosing an Eye or Eye/Face Wash it is important to refer to the Safety Data Sheet (SDS) of hazardous substances.



ECE270 model pictured

To meet AS4775 and ANSI Z358.1 performance requirements Enware safety showers require: Minimum flow rates.

Shower 76lpm (20 US gpm) / Eye/face wash 26lpm (6.9 US gpm).  
Eye wash 17lpm (4.5 US gpm) at a dynamic pressure of 210kPa (30 psi).

Supply piping shall be adequately sized to meet flow requirements. Hydraulic Consultant required to ensure supply piping is adequately sized to meet flow requirements.

## combination showers – with eye/face wash

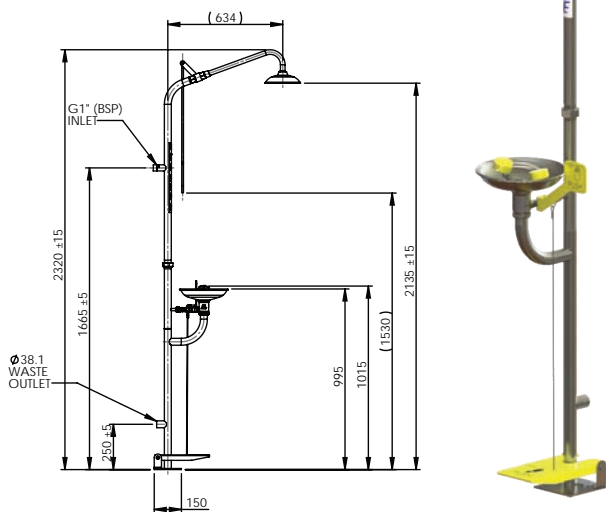
### STAINLESS STEEL COMBINATION SHOWER WITH HAND/FOOT OPERATED EYE/FACE WASH

**Order Code:**

**ECE270 – Stainless Steel Finish**

**Powder Coated Finish:**

- ECE270GR – Green**
- ECE270WH – White**
- ECE270YE – Yellow**
- ECE270OR – Orange**



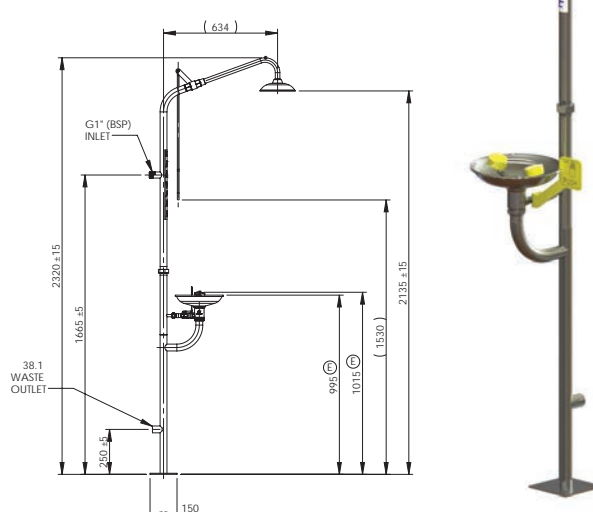
### STAINLESS STEEL COMBINATION SHOWER WITH HAND OPERATED EYE/FACE WASH

**Order Code:**

**ECE240 – Stainless Steel Finish**

**Powder Coated Finish:**

- ECE240GR – Green**
- ECE240WH – White**
- ECE240YE – Yellow**
- ECE240OR – Orange**



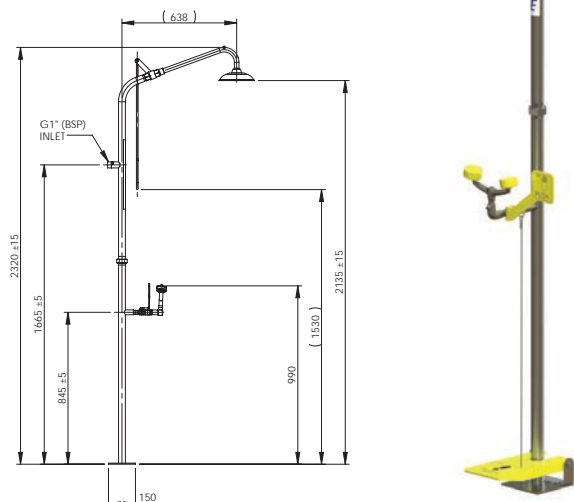
### STAINLESS STEEL COMBINATION SHOWER WITH HAND/FOOT OPERATED NO BOWL EYE/FACE WASH

**Order Code:**

**ENBE270 – Stainless Steel Finish**

**Powder Coated Finish:**

- ENBE270GR – Green**
- ENBE270WH – White**
- ENBE270YE – Yellow**
- ENBE270OR – Orange**



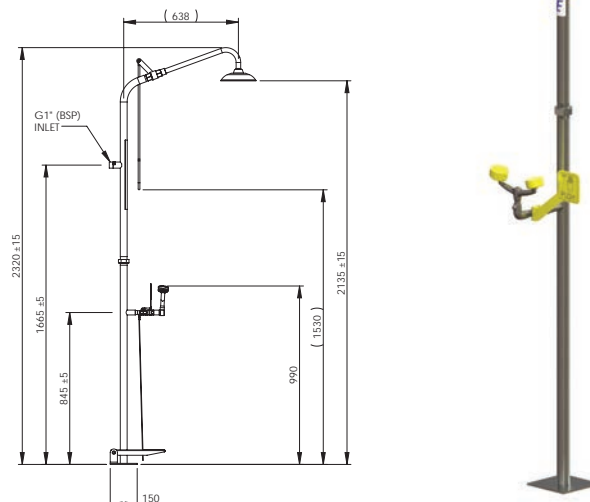
### STAINLESS STEEL COMBINATION SHOWER WITH HAND OPERATED NO BOWL EYE/FACE WASH

**Order Code:**

**ENBE240 – Stainless Steel Finish**

**Powder Coated Finish:**

- ENBE240GR – Green**
- ENBE240WH – White**
- ENBE240YE – Yellow**
- ENBE240OR – Orange**



# combination showers – with eye wash

## STAINLESS STEEL COMBINATION SHOWER WITH HAND OPERATED EYE WASH

**Order Code:**

**ECE060** – Stainless Steel Finish

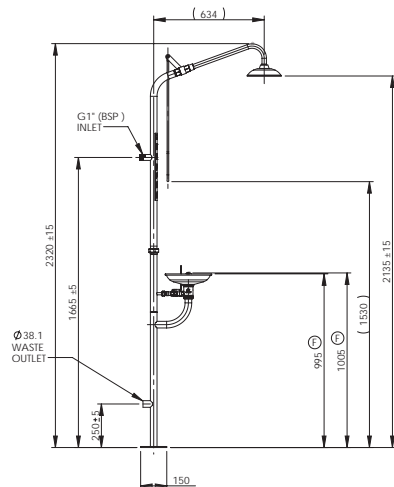
**Powder Coated Finish:**

**ECE060GR** – Green

**ECE060WH** – White

**ECE060YE** – Yellow

**ECE060OR** – Orange



## STAINLESS STEEL COMBINATION SHOWER WITH HAND/FOOT OPERATED EYE WASH

**Order Code:**

**ECE090** – Stainless Steel Finish

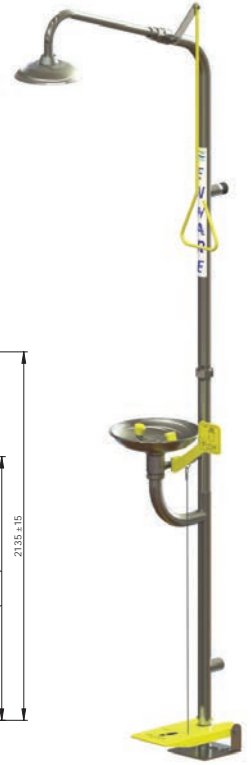
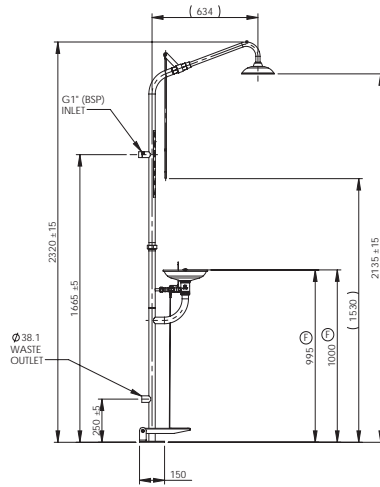
**Powder Coated Finish:**

**ECE090GR** – Green

**ECE090WH** – White

**ECE090YE** – Yellow

**ECE090OR** – Orange



## STAINLESS STEEL COMBINATION SHOWER WITH HAND OPERATED NO BOWL EYE WASH

**Order Code:**

**ENBE060** – Stainless Steel Finish

**Powder Coated Finish:**

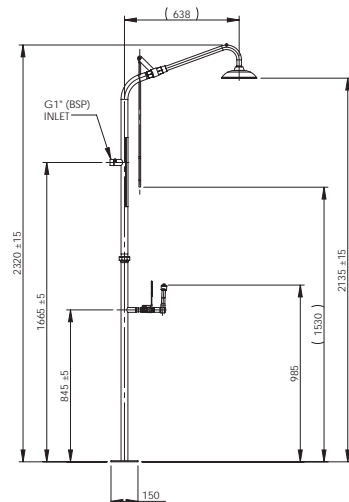
**ENBE060GR** – Green

**ENBE060WH** – White

**ENBE060YE** – Yellow

**ENBE060OR** – Orange

Also available with foot pedal operation for Eye Wash Order code: ENBE090.

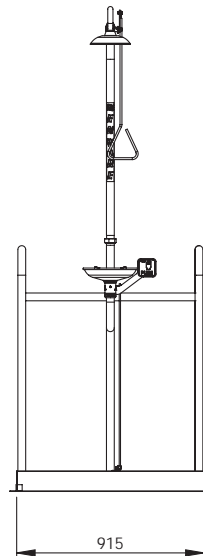


## FREE STANDING HAND OPERATED SHOWER AND PLATFORM OPERATED EYE WASH

**Order Code:**

**EP1020** – Stainless Steel Finish

Talk to your Enware Sales Representative to discuss customised platform operated solutions.





# showers only

## WALL MOUNTED HAND OPERATED DELUGE SHOWER

**Order Code:**

**EW1050** – Stainless Steel Finish

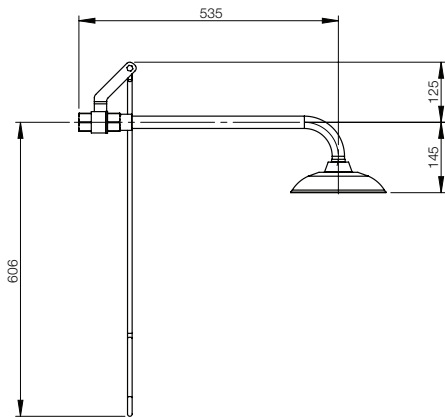
**Powder Coated Finish**

**EW1050GR** – Green

**EW1050WH** – White

**EW1050YE** – Yellow

**EW1050OR** – Orange



## CEILING MOUNTED HAND OPERATED DELUGE SHOWER

**Order Code:**

**EW1080** – Stainless Steel Finish

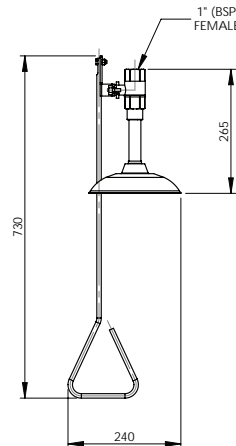
**Powder Coated Finish:**

**EW1080GR** – Green

**EW1080WH** – White

**EW1080YE** – Yellow

**EW1080OR** – Orange



## EMERGENCY STAINLESS STEEL SHOWER

**Order Code:**

**ECE030** – Stainless Steel Finish

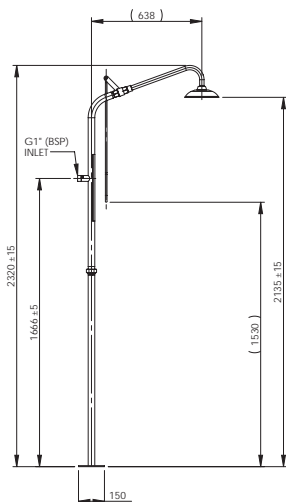
**Powder Coated Finish:**

**ECE030GR** – Green

**ECE030WH** – White

**ECE030YE** – Yellow

**ECE030OR** – Orange



## SIGNAGE

**EMERGENCY SHOWER SIGN**

300 x 400mm

Self Adhesive Sticker: **ESS502**

COLORBOND® Metal: **ESS503**



**EMERGENCY EYE WASH SIGN**

300 x 400mm

Self Adhesive Sticker: **ESS501**

COLORBOND® Metal: **ESS504**



**COMBINATION SHOWER AND EYE WASH SIGN**

600 x 450mm

COLORBOND® Metal: **ESS505**



# eye wash and eye/face wash – plumbed

It's important to refer to the Safety Data Sheet (SDS) of hazardous substances in use when choosing either an Eye or Eye/Face Wash.

**VERTECH™** technology maximises flushing effectiveness of the eyes and face. Designed to create a zero velocity point for comfortable yet effective flushing of the eye.

- Designed and manufactured in Australia by Enware
- Independently tested for compliance to AS4775 and ANSI Z358.1
- Free standing (pedestal) or wall mounted configurations available
- 304 stainless steel finish is standard

## EYE/FACE WASH

Independent Eye and Face Wash streams. Designed to deliver optimum coverage and targeted flushing of the face and eyes.

**Order Code:**

**EFE360** – Eye/Face Wash Hand Operated

**EFE390** – Eye/Face Wash Hand and Foot Operated



## EYE WASH

Eye Washes flush hazardous contaminants and irritants from eyes.

**Order Code:**

**EEE180** – Eye Wash Hand Operated

**EEE210** – Eye Wash Hand and Foot Operated



## NO BOWL OPTION

Both options are available with no bowl, better suited for outdoor applications.

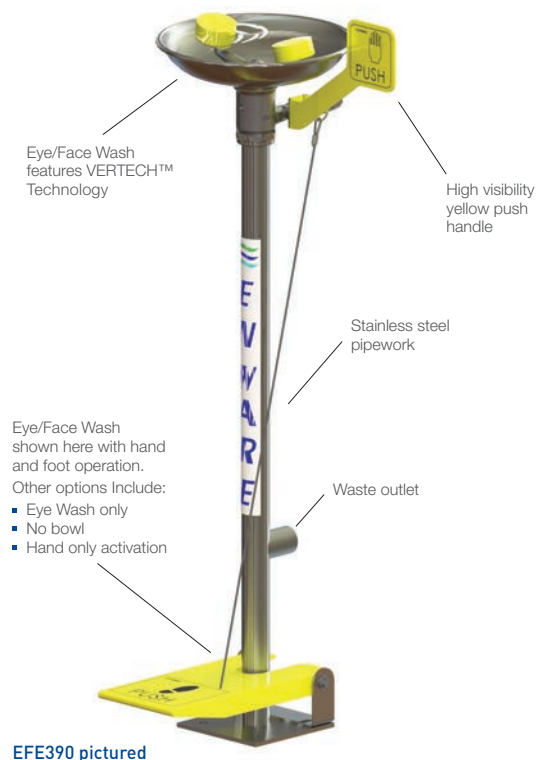
**Order Code:**

**ENBE180** – Eye Wash no bowl Hand Operated

**ENBE210** – Eye Wash no bowl Hand/Foot Operated

**ENBE360** – Eye/Face Wash no bowl Hand Operated

**ENBE390** – Eye/Face Wash no bowl Hand/Foot Operated



EFE390 pictured

## OPTION:

- 316 stainless steel
- Optional powder coating provides protection when emergency showers are installed in a corrosive or high salinity environment
- Powder coated showers stand out, making it easier to locate in an emergency
- Other colours available on request

Green (add GR to end of code)

White (add WH to end of code)

Yellow (add YE to end of code)

Orange (add OR to end of code)

# eye/face washes

Eye/Face Washes – flush hazardous contaminants and irritants from face and eyes.

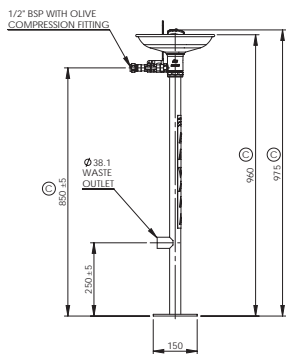
## EYE/FACE WASH PEDESTAL MOUNTED – HAND OPERATED

Order Code:

EFE360 – Stainless Steel Finish

Powder Coated Finish:

- EFE360GR – Green
- EFE360WH – White
- EFE360YE – Yellow
- EFE360OR – Orange



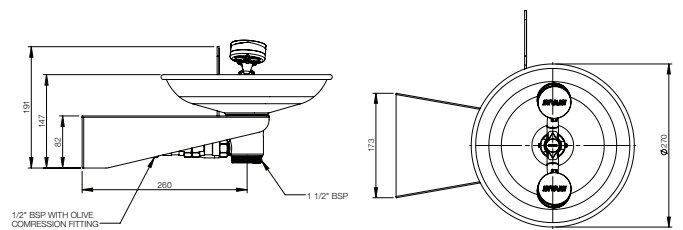
## WALL MOUNTED HAND OPERATED EYE/FACE WASH

Order Code:

EFE300 – Stainless Steel Finish

Powder Coated Finish:

- EFE300GR – Green
- EFE300WH – White
- EFE300YE – Yellow
- EFE300OR – Orange



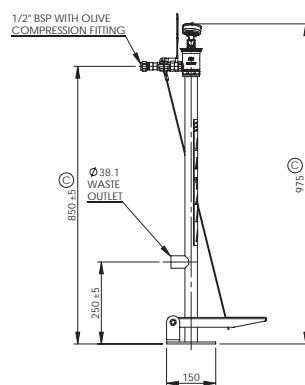
## EYE/FACE WASH NO BOWL PEDESTAL MOUNTED HAND/FOOT OPERATED

Order Code:

ENBE390 – Stainless Steel Finish

Powder Coated Finish:

- ENBE390GR – Green
- ENBE390WH – White
- ENBE390YE – Yellow
- ENBE390OR – Orange



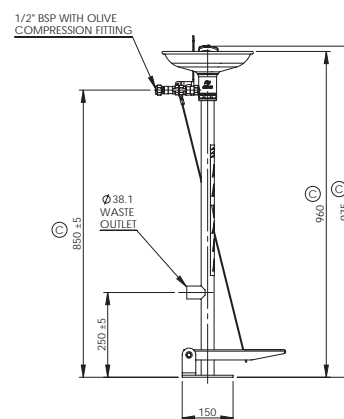
## EYE/FACE WASH PEDESTAL MOUNTED HAND/FOOT OPERATED

Order Code:

EFE390 – Stainless Steel Finish

Powder Coated Finish:

- EFE390GR – Green
- EFE390WH – White
- EFE390YE – Yellow
- EFE390OR – Orange



To meet AS4775 and ANSI Z358.1 performance requirements Enware Eye/Face Washes require: Minimum flow rate of 26 lpm (6.9 US gpm) at a dynamic pressure of 210 kPa (30 psi).

Supply piping shall be adequately sized to meet flow requirements.

### SIGNAGE

As required for compliant installation.

### EMERGENCY EYE WASH SIGN

300 x 400mm

Self Adhesive Sticker: **ESS501**

COLORBOND® Metal: **ESS504**





# eye washes

## Eye Washes – flush hazardous contaminants and irritants from eyes.

### EYE WASH PEDESTAL MOUNTED HAND/FOOT OPERATED

**Order Code:**

EEE210 – Stainless Steel Finish

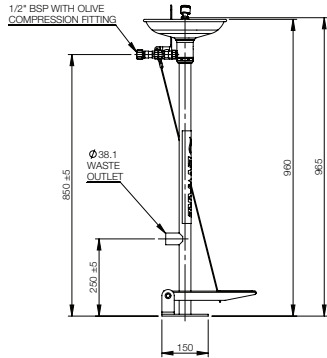
**Powder Coated Finish:**

EEE210GR – Green

EEE210WH – White

EEE210YE – Yellow

EEE210OR – Orange



### WALL MOUNTED HAND OPERATED EYE WASH

**Order Code:**

EEE120 – Stainless Steel Finish

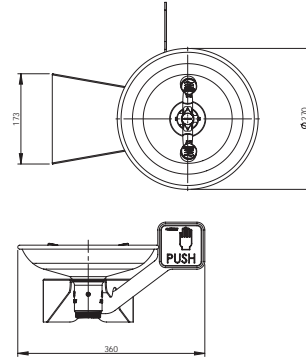
**Powder Coated Finish:**

EEE120GR – Green

EEE120WH – White

EEE120YE – Yellow

EEE120OR – Orange



### EYE WASH NO BOWL PEDESTAL MOUNTED – HAND OPERATED

**Order Code:**

ENBE180 – Stainless Steel Finish

**Powder Coated Finish:**

ENBE180GR – Green

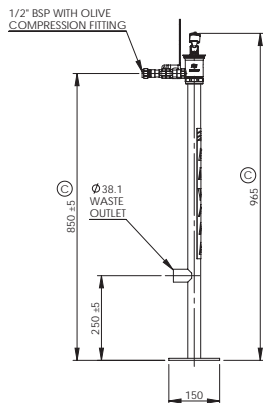
ENBE180WH – White

ENBE180YE – Yellow

ENBE180OR – Orange

Also available with hand foot operation

Order code: ENBE210



### EYE WASH PEDESTAL MOUNTED HAND OPERATED

**Order Code:**

EEE180 – Stainless Steel Finish

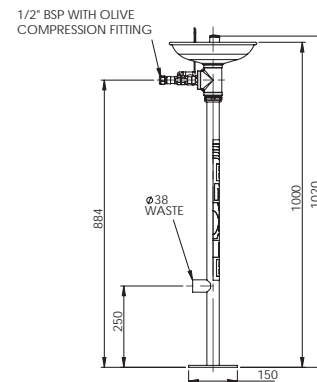
**Powder Coated Finish:**

EEE180GR – Green

EEE180WH – White

EEE180YE – Yellow

EEE180OR – Orange



To meet AS4775 and ANSI Z358.1 performance requirements Enware Eye/Face Washes require: Minimum flow rate of 26 lpm (6.9 US gpm) at a dynamic pressure of 210 kPa (30 psi).

Supply piping shall be adequately sized to meet flow requirements.

### SIGNAGE

As required for compliant installation.

### EMERGENCY EYE WASH SIGN

300 x 400mm

Self Adhesive Sticker: **ESS501**

COLORBOND® Metal: **ESS504**



# portable self contained equipment

## Enhance your safety with Enware's range of non-plumbed solutions

Portable self contained or gravity fed eye wash and body spray units are the ideal solution for sites without access to plumbing. Easily relocatable, providing emergency eye wash capability in close proximity to potential hazards.

### GRAVITY FED EYE WASH

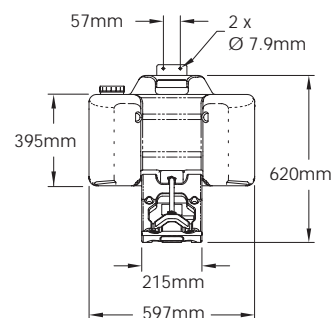
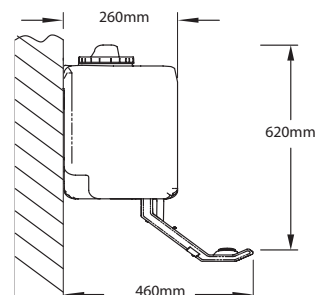
- A compact portable gravity fed eye wash unit that provides a full 15 minutes of continuous flow
- To operate fold down the eye wash arm, this activates the water flow and leaves hands free to hold open eyelids for a more effective flush
- Spray outlets are protected from dust, grime and damage by the folded up arm
- Made from FDA green high-density polyethylene, with an orange fold down arm for easy identification
- Moulded handle on top allows easier handling and is designed to fit neatly on the wall-mounting bracket supplied with every unit
- 35 litre tank capacity
- A wide fill opening with threaded cap permits easy inspection, cleaning and filling
- Using the ESS200 bacteriostatic preservative allows storage of water for up to a maximum of 6 months
- Supplied complete with: wall bracket and one bottle of bacteriostatic additive to preserve the water
- Spare parts available

**Order Code:** EL483  
**Spare Parts Code:**  
 ELS001 – Tank Cap  
 ELS002 – Sprinkler Assembly  
 ELS003 – Sign  
 ELS004 – Wall Mounting Bracket

### ANTI-BACTERIA WATER PRESERVATIVE CONCENTRATE

- One bottle preserves 15 to 75 litres for up to a maximum of 6 months (depending on climate conditions)
- Sold in cartons of 4 bottles

**Order Code:**  
 ESS200



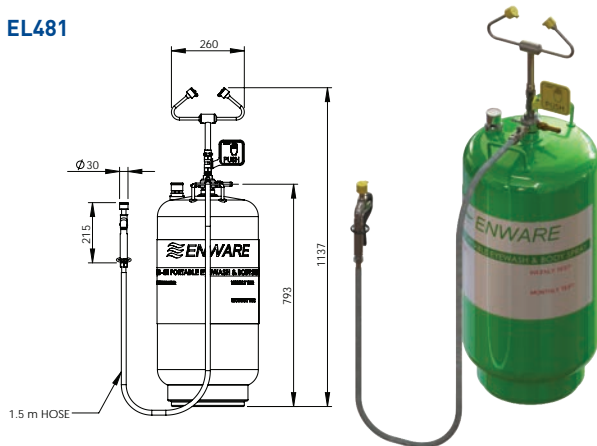
## portable and self contained equipment

### PORTABLE EYE WASH/BODY SPRAY 45L

- 'Soft Spray' flow controlled Eye Wash outlets
- Stainless steel hand actuator and stay-open ball valve
- Trigger action hand held body spray with 1.5m hose
- Safety pressure relief valve and pressure gauge
- Pressurised by plant or bottle air via tyre filler connection — pressurise to 500kPa (71psi)
- 45L (10G) potable water capacity

**Order Code:**

**EL481**



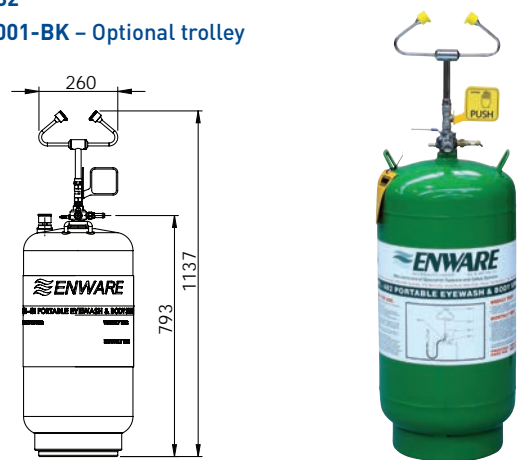
### PORTABLE EYE WASH 45L

- 15 minutes of eye wash flow time
- 'Soft Spray' flow controlled eye wash outlets
- Stainless steel hand actuator and stay-open ball valve
- Stainless Steel tank
- Safety pressure relief valve and pressure gauge
- Pressurised by plant or bottle air via tyre filler connection – 500kPa (71psi)
- 45L (10G) potable water capacity

**Order Code:**

**EL482**

**E73001-BK - Optional trolley**



### PORTABLE EYE WASH/BODY SPRAY 9L

- Single aerated outlet and 1.5m hose
- Pressurised by plant or bottle air via tyre filler connection
- Pressurise to 700kPa (100psi)
- 9L (2G) potable water capacity
- Green powder coated finish

**Order Code:**

**EL480**





# tobin eye wash range

## Effective, sterile and safe eye washes for industrial use

Tobin's Eye Wash Systems are a well proven, quick and safe way to flush contaminants from the eyes. This specially designed system gives fast application and a volume large enough for most eye accidents.

### WITHIN ARMS REACH

Irrigating the eye within a few seconds of an incident is critical to minimising any damage to the eye. With Tobin, an Eye Wash bottle can be within arms reach.

### CONTROLLED FLOW

A damaged eye must not be washed with a hard/sharp jet. Tobin's bottles are constructed to empty under natural pressure, giving a soft flow. When the bottom air vent is opened a patient cannot increase the flow by squeezing the bottle.

### VOLUME

Uninterrupted washing over a long period is particularly important. Specially designed bottles with opened air vent give 3 minutes of continuous flow (1 litre bottle).

Wall stands for stationary work places or transport stand for mobile units.

*In Australia this system is considered supplemental and does not replace the need for a primary Eye Wash station as outlined in AS4775.*



### SIMPLE TO USE

1. Break Eye Wash outlet tab
2. Open air vent at the base of the bottle
3. Hold eye lid open
4. 3 minutes of continual flow per bottle (1 Litre)

## tobin eye wash range

### WALL STAND – 5 x 1 LITRE BOTTLE

- Sterile saline solution
- For stationary work places
- 5 bottles provides a total 15 minutes of flow
- 3 year shelf life
- Included 5 Bottles and bracket 39(H) X 45(W) X 10(D)cm



**Order Code:**  
**TOB124**

### WALL STAND – 2 x 1 LITRE BOTTLE

- Sterile saline solution
- Suitable when space is a problem and/or Eye Washes are required in a number of spots in the same area
- 3 year shelf life
- Included 2 Bottles and Stand 39(H) X 20(W) X 10(D)cm



**Order Code:**  
**TOB129**

### POCKET EYE WASH BOTTLE

- Sterile saline solution
- Personally carry in pocket
- Enables washing in seconds
- Contains 200ml sterile saline solution
- 3 year shelf life



**Order Code:**  
**TOB121**  
**Optional:**  
**TOB405 – Wire Stand**

### TRANSPORT STAND - 1 LITRE BOTTLES

- Sterile saline solution
- Ideal for vehicles carrying contaminants
- Includes 2 x 1 litre bottles
- 3 year shelf life
- 34(H) x 20(W) x 10(D)cm



**Order Code:**  
**TOB127**

### TRANSPORT BOTTLE - 500ML

- Sterile saline solution
- Ideal for vehicles with dangerous goods cargo, can be located within arms reach for a quicker response
- 3 year shelf life
- TOB500ST 27 (H) x 10.5 (W) x 10 (D) cm
- TOB500 27 (H) x 8 (W) x 8 (D) cm



**Order Code:**  
**TOB500ST – Stand and 500ml bottle**  
**TOB500 – 500ml bottle**

TOB500ST

### EYE WASH CABINET

- Sterile saline solution
- A dust protected cabinet suitable for all work places, e.g. industries, building sites, mining, storage facilities etc.
- 3 year shelf life
- Includes 2 x 1 litre bottles, cabinet and screws
- 35(H) x 25(W) x 11(D)cm



**Order Code:**  
**TOB130**

### REPLACEMENT BOTTLES

- Sterile saline solution
- 3 year shelf life

**Order Code:**  
**TOB128 – 5 x 1 litre Bottle**  
**TOB126 – 2 x 1 litre Bottle**



# Laboratory and supplemental support systems

## Eye Washes and supplemental face and body sprays

- When hazardous substances make contact with the human eye and delicate tissue, damage can be immediate. Eye Wash and body spray equipment near workplace hazard locations is critical for a quick response time.
- Ideal for industrial, commercial and educational environments.

To meet AS4775 and ANSI Z358.1 Eye Wash outlets need to be between 838mm to 1143mm from the surface where the user stands.



### SWIVEL OVER SINK MOUNTED EYE WASH

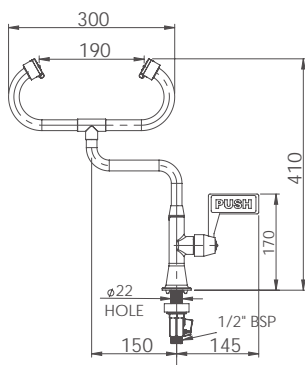
- Swivels over sink when required
- Bright chrome plated
- Soft aerated integrated auto dust covers
- Powder coated option available

#### Order Code:

**EL570** – Bench Mounted Standard Chrome Finish

**EL570E** – Bench Mounted Epoxy Coated Finish

Note: for AS4775 compliance as a primary system the outlet height when in the on position must be between 838 and 1143mm from floor.



### BENCH MOUNTED PULL DOWN EYE WASH

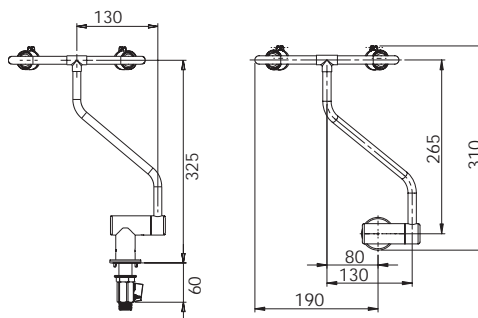
- Wall or bench mounted models
- Pull down Eye Wash arm to activate water flow
- Soft aerated outlets with integrated auto dust covers

#### Order Code:

**EL486** – Bench Mounted

**EL487** – Wall Mounted

Note: for AS4775 compliance as a primary system the outlet height when in the on position must be between 838 and 1143mm from floor.

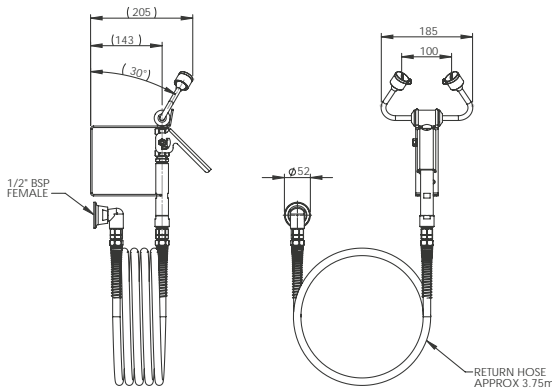


## laboratory emergency and supplemental systems

### WALL MOUNTED HAND HELD DRENCH HOSE - DUAL OUTLET

- Premium grade nylon 3.75m self-coiling hose allows for body spray flushing of incidental contaminants from the body
- Includes angled Eye Wash outlet
- Stay open ball valve activation lever on outlet handle

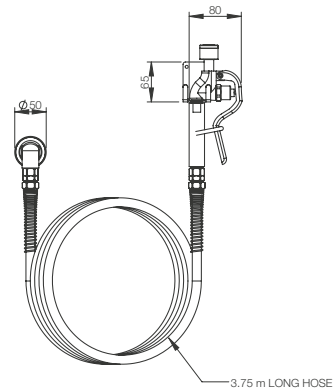
**Order Code:**  
**EL485**



### WALL MOUNTED HAND HELD SINGLE OUTLET DRENCH HOSE

- Supplemental system
- Aerated adjustable spray nozzle
- Chrome plated brass body
- Premium grade nylon 3.75m self-coiling hose

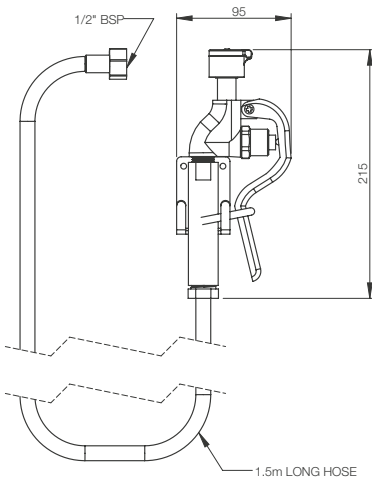
**Order Code:**  
**EL450**



### WALL MOUNTED HAND HELD SINGLE OUTLET DRENCH HOSE - 1.5M

- Supplemental system
- Aerated adjustable spray nozzle
- Chrome plated brass body
- Stainless steel braided 1.5m hose

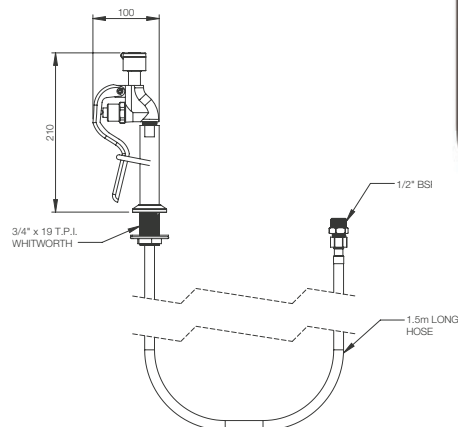
**Order Code:**  
**EL420**



### BENCH MOUNTED HAND HELD SINGLE OUTLET DRENCH HOSE

- Supplemental system
- Aerated adjustable spray nozzle
- Chrome plated brass body
- Stainless steel braided 1.5m hose

**Order Code:**  
**EL540**





# decontamination and multi-spray showers

## Our range of decontamination and multi-spray showers are designed for optimum coverage.

- For decontamination where hazardous substances are used
- Multi-sprays for maximum coverage
- Stainless steel construction for maximum durability and reliability
- Side panels powder coated in green as standard. White, yellow or orange available as options. (Colour must be specified at time of ordering)

White (add WH to end of code)

Yellow (add YE to end of code)

Orange (add OR to end of code)

*Inlet Connection: 32mm (1¼") BSP NPT and flange connections available for petrochemical and offshore applications*

*Mounting: Floor Flange*



EM630 pictured

▲ Stepping on platform activates shower

## FREE STANDING PLATFORM OPERATED MULTI-SPRAY SHOWER

- 16 Multi-spray outlets
- Step on shower activation
- Two side panels for walk through decontamination
- Side panels powder coated green as standard

**Order Code:**  
**EM630**

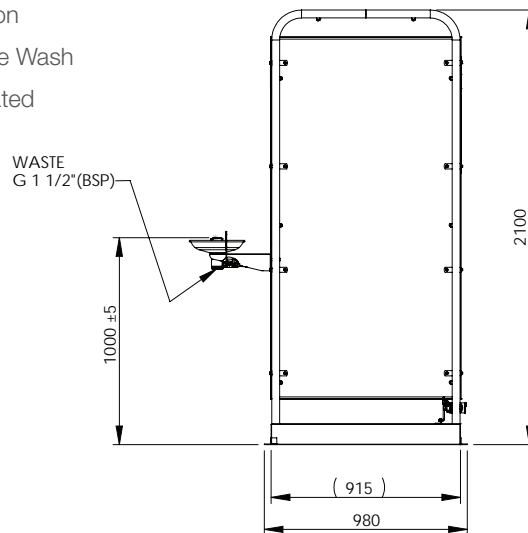


## decontamination and multi-spray showers

### FREE STANDING PLATFORM OPERATED MULTI-SPRAY SHOWER WITH HAND OPERATED EYE/FACE WASH

- 16 Multi-spray outlets
- Three side panels
- Step on shower activation
- Hand operated Eye/Face Wash
- Side panels powder coated green as standard

**Order Code:**  
**EM690**



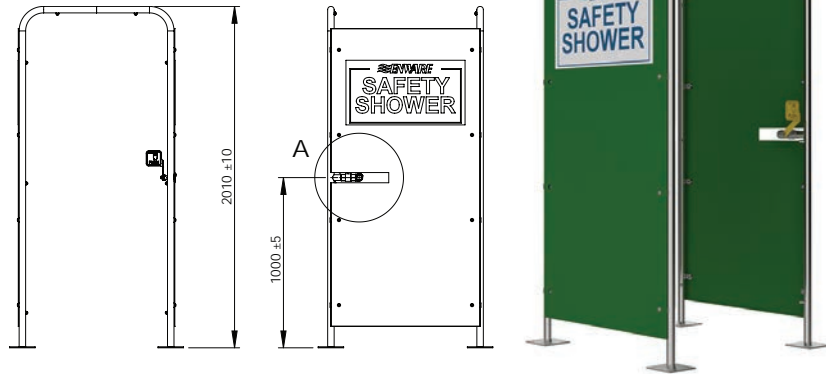
NOTE: All bulk cubic freight items in this section do not include free shipping.

## decontamination and multi-spray showers

### FREE STANDING HAND OPERATED MULTI-SPRAY SHOWER WALK-THRU

- 16 multi-spray outlets
- Hand operated activation
- Two side panels for walk through
- Side panels powder coated green as standard

**Order Code:**  
**EM600**



### FREE STANDING HAND OPERATED MULTI-SPRAY SHOWER AND EYE/FACE WASH

- 16 Multi-spray outlets
- Three side panels
- Hand operated Eye/Face Wash
- Side panels powder coated green as standard

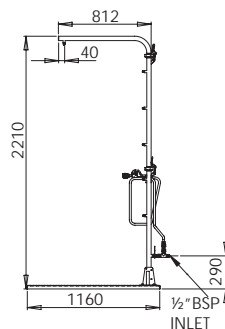
**Order Code:**  
**EM660**



### PORTABLE HAZCHEM DECONTAMINATION SHOWER

- Space saving design
- Stores easily when not in use
- Quick and easy to assemble
- Folds up for easy transportation and storage
- Weight 25kg

**Order Code:**  
**EM810 - 6 spray (pictured)**



# accessories

Part of the compliance requirements of emergency eye wash and shower equipment include signage, weekly activation and annual inspections. Refer to Australian Standard AS4775 or the American ANSI Z358.1 for complete details.

## SIGNAGE

- Highly visible signage is important in identifying the location of the emergency equipment. This can help to minimise the time taken to reach first aid treatment in the first few critical seconds of the accident.
- Signage material options: choose from vinyl or the more durable and corrosive resistant COLORBOND®.

## TESTING EQUIPMENT

### ANTI-STATIC SHOWER TESTER

- Activating emergency equipment regularly helps to clear any sediment build-up and minimises the potential for microbial contamination if water is left static in the system for too long.
- Our anti-static shower tester helps to minimise any potential slip hazard and mess as the water is directed down the 'curtain' into a bucket.
- Operation of the tester is simple. Attach the shower head, secure the draw cord and place the other end in the bucket and the equipment is ready to be activated.
- Waterproof, anti-static, lightweight, durable design. Simply attach to shower head, secure draw cord and place other end in a bucket. (Bucket not included.)

**Order Code:**

**EST100**

### EYE AND EYE/FACE WASH TESTER

- Critical to flushing contaminants from your eyes and face is the wash pattern. This hand test gauge assists with setting optimum flushing performance of the equipment.

**Order Code:**

**EST101**



### EMERGENCY SHOWER SIGN

300mm x 400mm

Self Adhesive Sticker: **ESS502**

COLORBOND® Metal: **ESS503**



### EMERGENCY EYE WASH SIGN

300mm x 400mm

Self Adhesive Sticker: **ESS501**

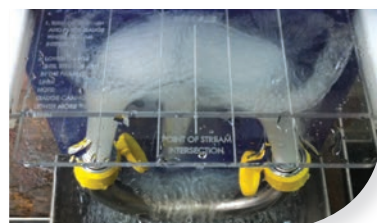
COLORBOND® Metal: **ESS504**



### COMBINATION SHOWER AND EYE WASH SIGN

600mm x 450mm

COLORBOND® Metal: **ESS505**



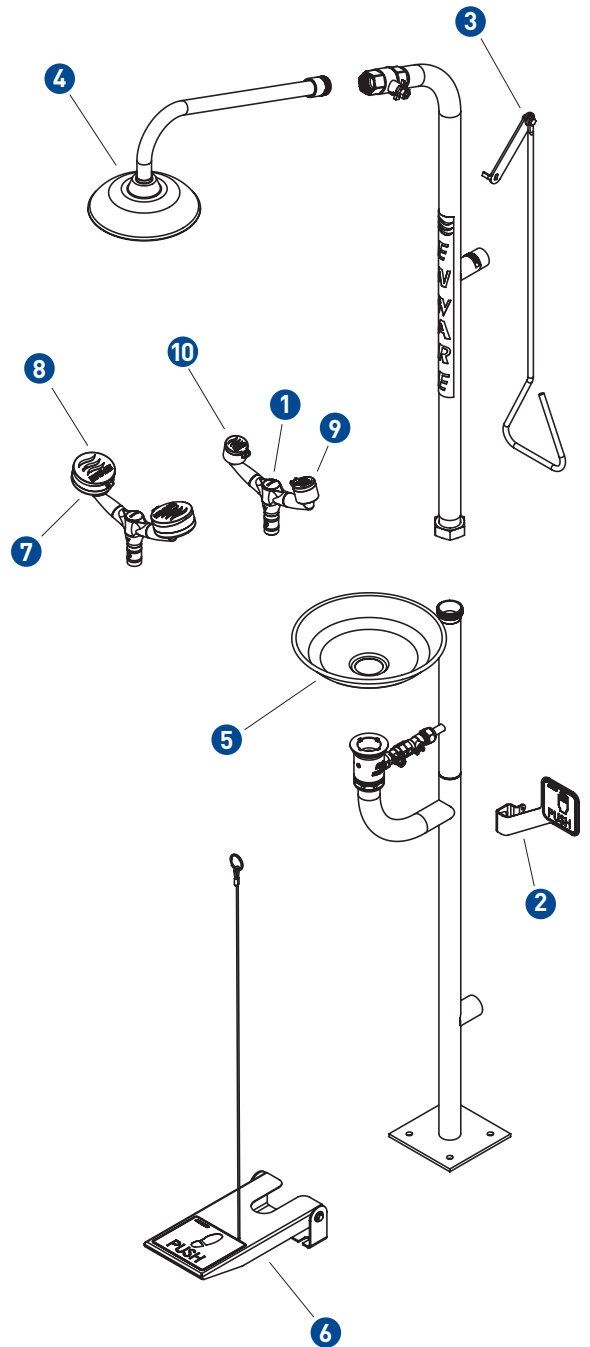
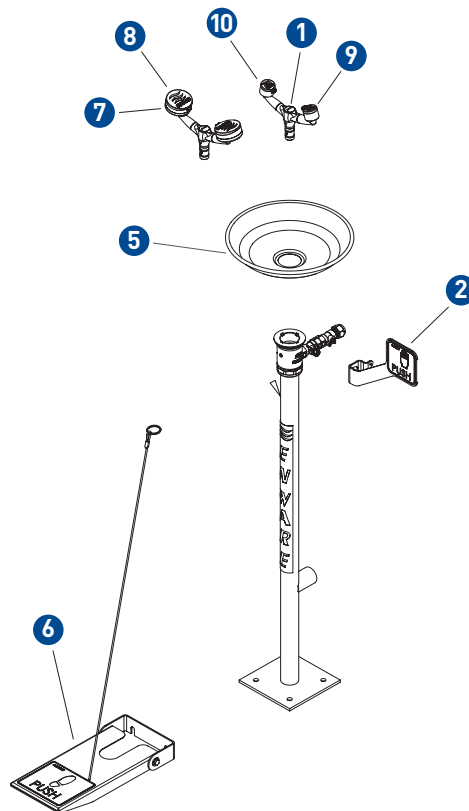




# spare parts

A range of spare parts are available to maintain equipment and replacement of damaged parts.

Description	Order Code
1 Eye and Eye/Face Wash Frame Only	ESPE002
2 Push Handle to suit Eye and Eye/Face Washes	ESPE010
3 Pull handle to activate shower	ESPE009
4 Shower arm and rose	ESPE005
5 Bowl only	ESPE008
6 Foot operation conversion kit for Eye and Eye/Face Wash	ESPE001
7 Eye/Face Wash outlet includes dust cover and aerator (each)	ESPE012
8 Aerator to suit Eye/Face Wash only	ESPE013
9 Eye Wash Aerator and Washer	ESPE015
10 Eye wash outlet includes dust covers and aerators (pair)	ESPE016





emergency **shower, eye/face wash**  
and **decontamination** solutions