

WALL MOUNTED HAND BASIN



RBA8864-100 Wall Mounted Hand Basin

Construction

Basin is constructed in one piece from 1.3mm type 304 stainless steel with all exposed surfaces polished to a satin finish, and corners ground to a rounded surface.

Basin is supplied with in built fixing brackets, single 35mm diam taphole and 40mm waste outlet. Tap supplied by others.

Installation

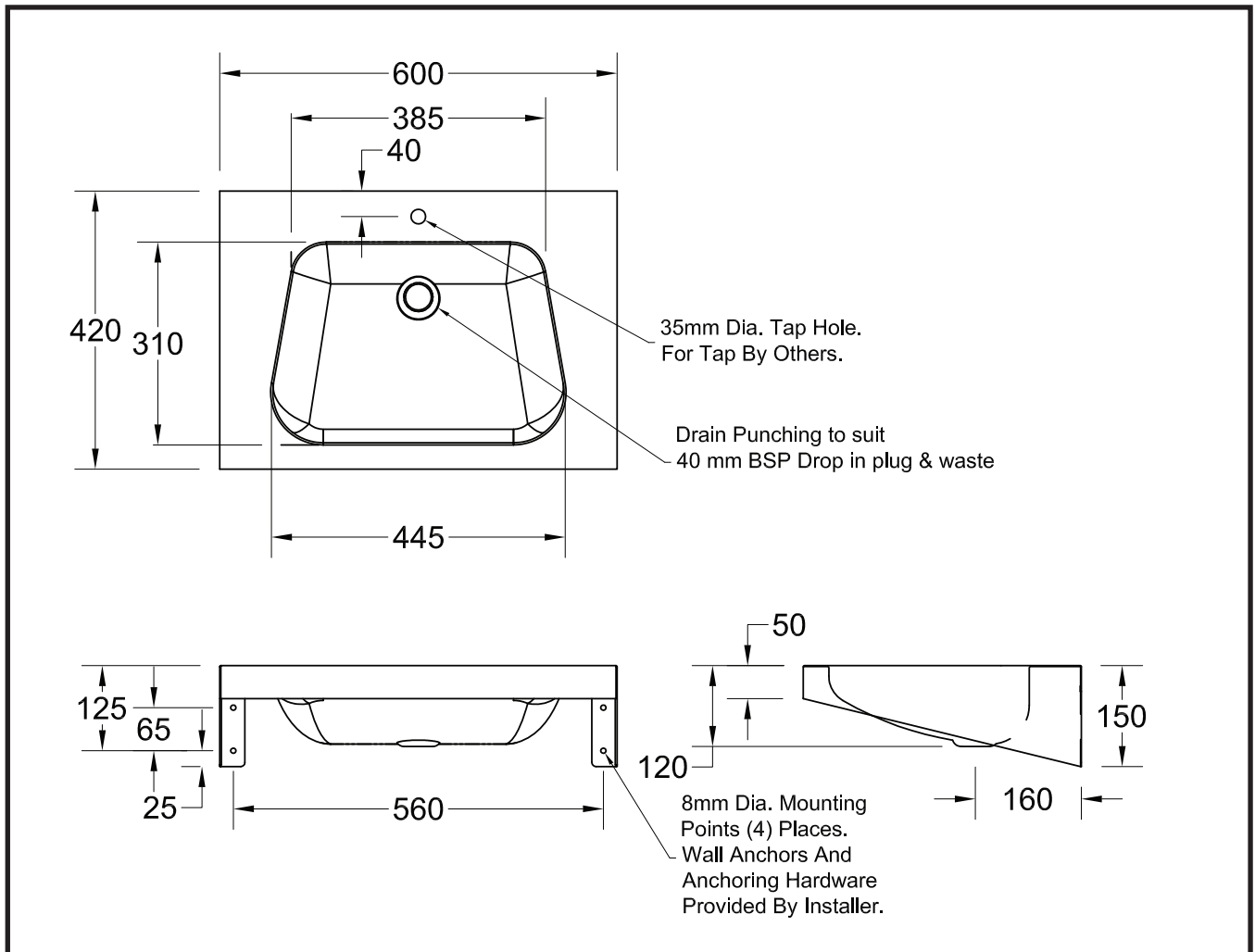
Basin is vandal resistant, and should be mounted on a suitably constructed wall to support the unit, using the brackets provided, and wall anchors provided by others.

Typically the basin should be mounted with the rim at 864mm above FFL, when not installed in a disabled area, or at a height suitable for the application.

Tapware: To specify matching tapware [stainless steel 6-star Self-closing] use RBA1083-607.

Designers Note: RBA product is disabled compliant if it is installed with an appropriate tap (eg. RBA1083-607) to meet the requirements stipulated in the AS1428.1-2009.

Important: Installation instructions and current rough-in details should be furnished with each fixture. Do not rough in without certified dimensions. Dimensions are subject to manufacturer's tolerance of +/-10mm.



As improvements in the design and performance of RBA products are continuous, specifications may be subject to change without notice.

The illustrations and descriptions herein are applicable to production as of the date of this Technical Data Sheet. Revised 07/11 Printed in Australia
 © 2011 by RBA Bathroom Products TD/Model RBA8864-100/0711