



## vada

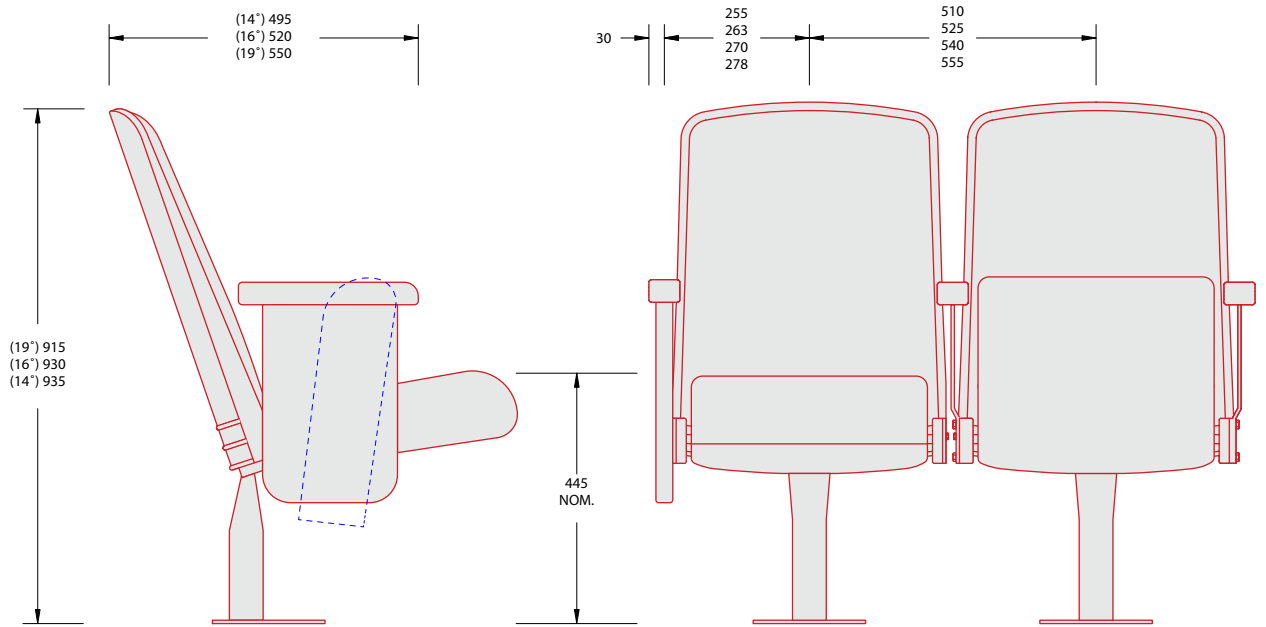
Superbly engineered auditorium seating providing excellence in long term patron comfort. Effuzi auditorium seating provides a fully integrated robotically welded steel inner framework for strength and durability.

Individually moulded polyurethane cushions and backs consisting of varying density multi-layer foam, incorporate lateral and lumbar support in the back with a bolster at the front edge of the seat cushion to provide maximum ergonomic support and long term seat comfort.

Black polyurethane moulded arms can be replaced with fully upholstered, or timber arms to suit venue requirements. The standard moulded outer back provides protection to the fabric edges. Alternatively the back can be fully upholstered.



# vada



## vada options

- padded arm rests
- aisle lights: 24V ac LED's 100,000 hrs
- row identification
- seat numbers
- floor mounting
- fabric options



effuzi reserve the right to change the design or specifications during our ongoing development policy of continued improvement

for more information on the  
effuzi lecture solutions,  
or other effuzi products, contact:

[sales@effuzi.com](mailto:sales@effuzi.com)  
[www.effuzi.com](http://www.effuzi.com)

**Wellington**  
Effuzi International Ltd  
Head Office

PO Box 57 003  
Mana 5247

13 Raiha Street  
Elsdon  
Porirua  
NEW ZEALAND

Ph: +64 4 237 5444  
Fax: +64 4 237 7950

**Auckland**  
Effuzi International Ltd

PO Box 57 003  
Mana 5247

NEW ZEALAND

Ph: +64 9 523 1264  
Fax: +64 9 523 1264

**Sydney**  
Effuzi Australia Pty Ltd

GPO Box 1615  
Sydney  
NSW 2001

AUSTRALIA

Ph: 1800 126 591  
Fax: 1800 126 591

AUD16-0408A