

Standard 45mm Cordless Cellular Blind

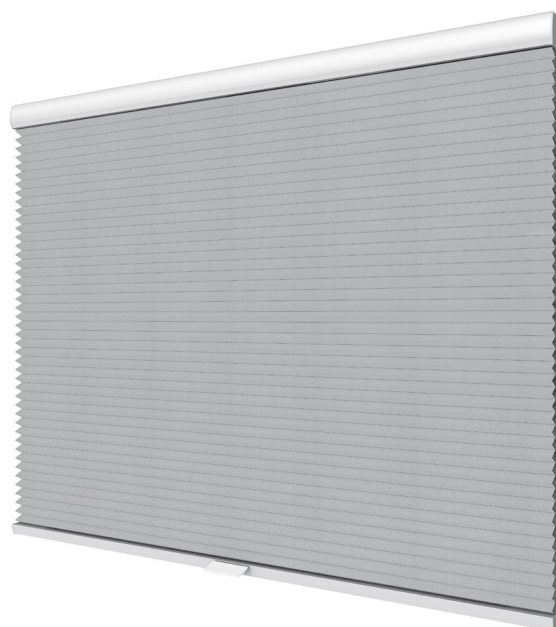
Product Information

Verosol's **Standard 45mm Cordless Cellular Blind** combines the soft appeal of a curtain with the versatility and simplicity of a blind. The ideal solution for heat and light control, and the blind almost disappears when raised. Simple and elegant, with a small stack height and short projection, giving you an uninterrupted view from your home or office window. Cordless operation is the perfect child safe option.

In addition to the standard cordless, 45mm cellular blinds are available in mono chain/cord and motorised operation

Further Information

To find out more information phone Verosol Customer Care on 1800 721 404 or visit www.verosol.com.au



Technical Information

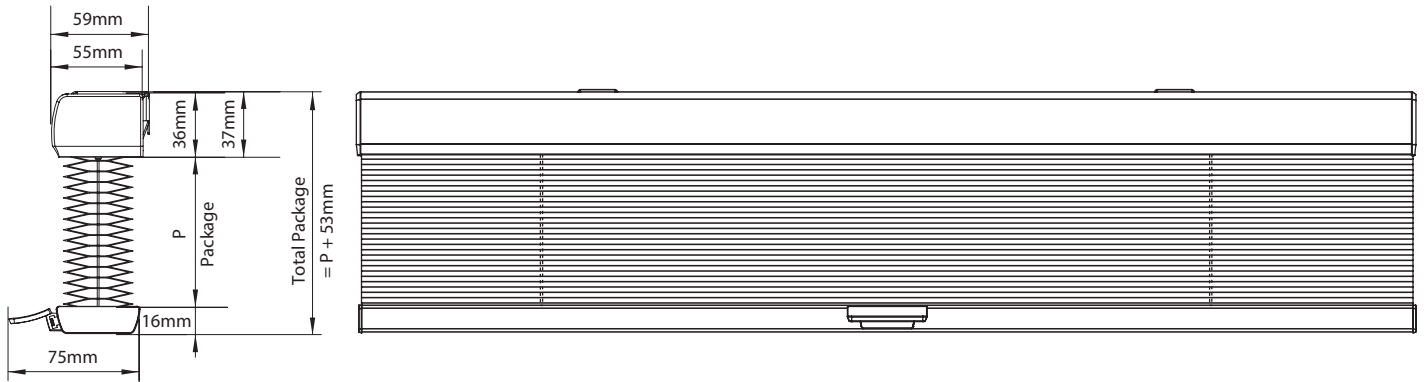
Product Code	P400.1	
Product Name	Standard 45mm Cordless Cellular Blind	
Operation	Hand Operation	
Dimensions	Width	400mm minimum - 2500mm maximum
	Drop	400mm minimum - 2500mm maximum
	Maximum Area	5m ²
Head Rail	Material	Extruded Aluminium Alloy
	Dimensions	52mm W x 36mm H
Bottom Rail	Material	Extruded Aluminium Alloy
	Dimensions	48mm W x 16mm H
	Colours	Coordinated - White, Off White, Silver, Sand, Taupe, Bronze, Anthracite, Black
	Paint	Powder Coated
Inner Rail	Material	H-PVC
End Caps	Material	UV Stabilised Acrylonitrile Butadiene Styrene [ABS] Plastic
	Colour	Coordinated - White, Off White, Silver, Sand, Taupe, Bronze, Anthracite, Black
Lift Cords	Material	Braided Polyester [minimum diameter: 08mm]
	Colour	Coordinated
Cordless Control Unit	Type	Cordless cassette spring control unit concealed in head rail
	Material	UV Stabilised Polymer Acrylic
Installation Brackets	Material / Operation	Press formed spring steel, powder coated Top or Face Fixing - concealed when installed
	Colour	Coordinated - White, Off White, Silver, Sand, Taupe, Bronze, Anthracite, Black

Turn over for additional information

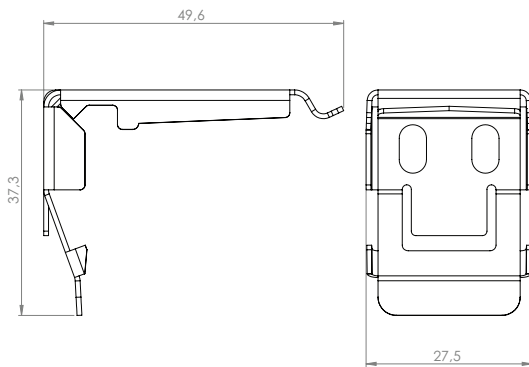
Standard 45mm Cordless Cellular Blind

System Diagrams

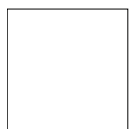
Standard Cordless 45mm Cellular Blind



Universal Installation Bracket - Face or Reveal Fixing



Rail Colours



White



Off White



Silver



Sand



Taupe



Bronze



Anthracite



Black