

“ I specifically chose the Solatube Smart LED model for my own office as well as our breakroom. They are absolutely amazing! I have comfortable daylight during the day and, if I'm working into the evening, the LED lights automatically turn on. When I leave to go home, the occupancy sensor turns the LED lights off. I never even have to flip a switch. Simple, effective and guaranteed energy savings.

— Alan Rich
Alan Rich & Associates, APLC

Solatube® Smart LED™ System

Daylighting designed with integrated lighting



Smart LED System Benefits

The revolutionary Solatube Smart LED System unites LEDs with proven Solatube daylighting design.

It features proprietary SunSense™ Technology that monitors the daylight levels in the system and automatically triggers the LEDs when daylight levels get too low. This seamless transition from no-cost natural light to energy-efficient LED light reduces energy use by up to 94%, making the Smart LED System an unbeatable sustainable lighting option and the most energy-efficient commercial lighting solution for small- to medium-sized spaces.

- Significantly cuts electricity use for lower energy costs

- LEDs lasts up to 25 times longer than traditional light sources for decades of worry-free operation with zero maintenance

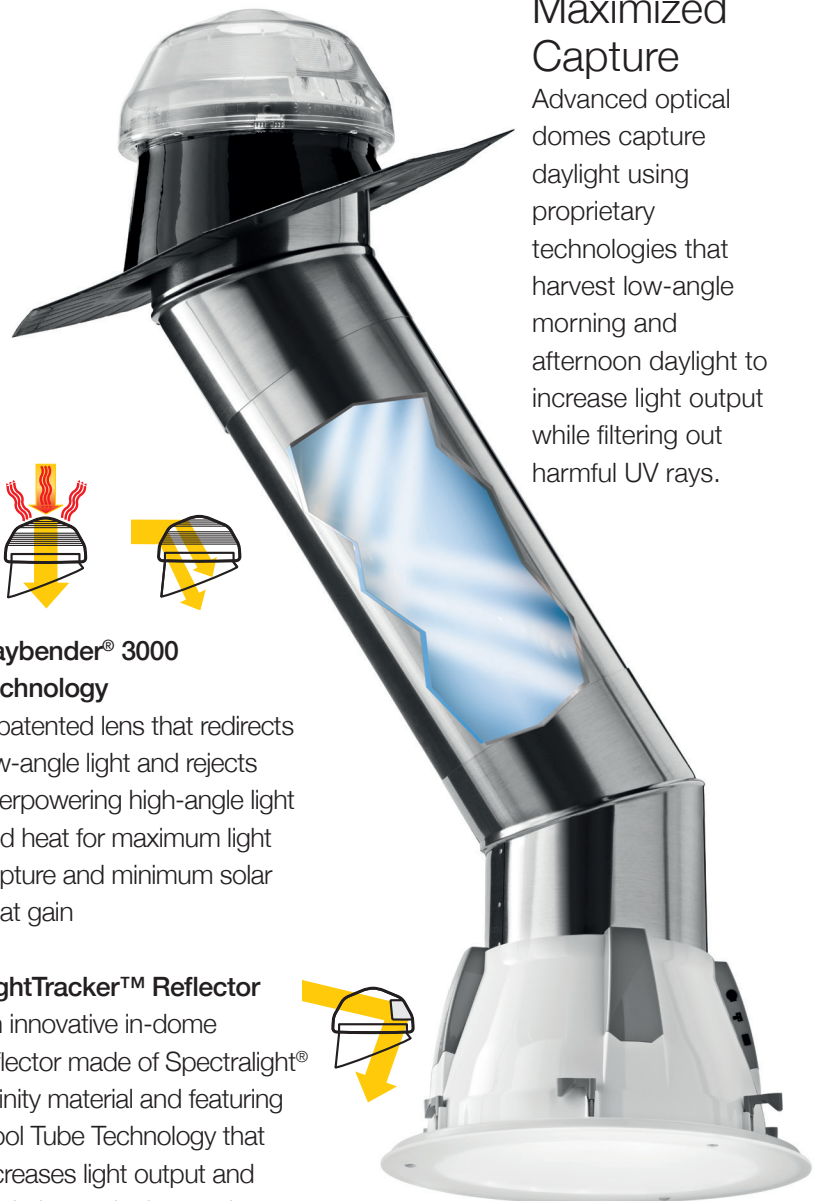
- Adapts automatically to climatic and seasonal changes to ensure lighting requirements are met every day throughout the year

Technology that Creates Light in a Smarter Way

The Smart LED System combines two of the world's most energy efficient light sources into one high-performing unit. Featuring a patented rooftop dome, the system captures the sun's rays, transfers them up to 6 m (20 ft) through highly reflective tubing, then distributes them throughout the space using specially designed diffusers. When daylight wanes, LEDs that are 75% to 80% more efficient than traditional sources supply the light.

Maximized Capture

Advanced optical domes capture daylight using proprietary technologies that harvest low-angle morning and afternoon daylight to increase light output while filtering out harmful UV rays.



Raybender® 3000 Technology

A patented lens that redirects low-angle light and rejects overpowering high-angle light and heat for maximum light capture and minimum solar heat gain

LightTracker™ Reflector

An innovative in-dome reflector made of Spectralight® Infinity material and featuring Cool Tube Technology that increases light output and minimizes solar heat gain

Efficient Transfer

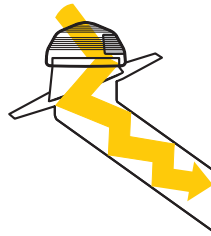
The world's most reflective tubing transfers maximum daylight from rooftop to ceiling with minimal light loss and perfect colour rendition.



Spectralight Infinity Tubing

Proprietary material with Cool Tube Technology delivers 99.7%* specular reflectivity for maximum daylight transfer

**Specular reflectance greater than 99% with wavelength specific reflectance up to 99.7% for the visible spectrum*

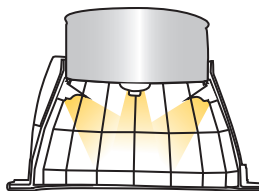


Cool Tube Technology

Proprietary material used in Solatube reflectors and tubing that filters out heat-infused infrared rays to minimize solar heat gain

Controlled Delivery

Highly specialized components work together as one to deliver an even and predictable amount of light, day and night.



SunSense Technology

A patented control centre that assesses light levels and triggers LEDs when needed for optimal light output

Small Offices

.....

Corridors

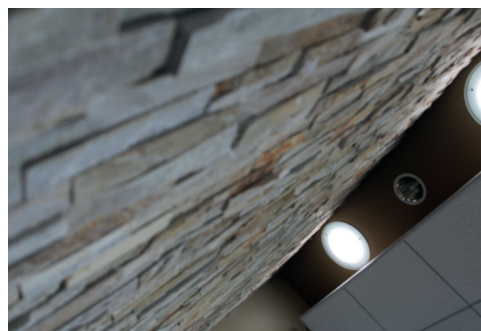
.....

Restrooms

.....

Storage Rooms

.....



Smart LED System Models

The Smart LED System can operate individually to illuminate small areas or in dual configurations to attain predictable lighting results for larger spaces. It also can be used to create specific architectural effects such as wall washes and soffit lighting. The Smart LED System is an intelligent solution for spaces with hard or suspended ceilings at heights up to 3 m (10 ft).

Solatube Smart LED Primary System

The Smart LED Primary System (250 mm/ 10 in. diameter) works best in small to medium-sized spaces like corridors, offices, restrooms and storage rooms.

Solatube Smart LED Secondary System

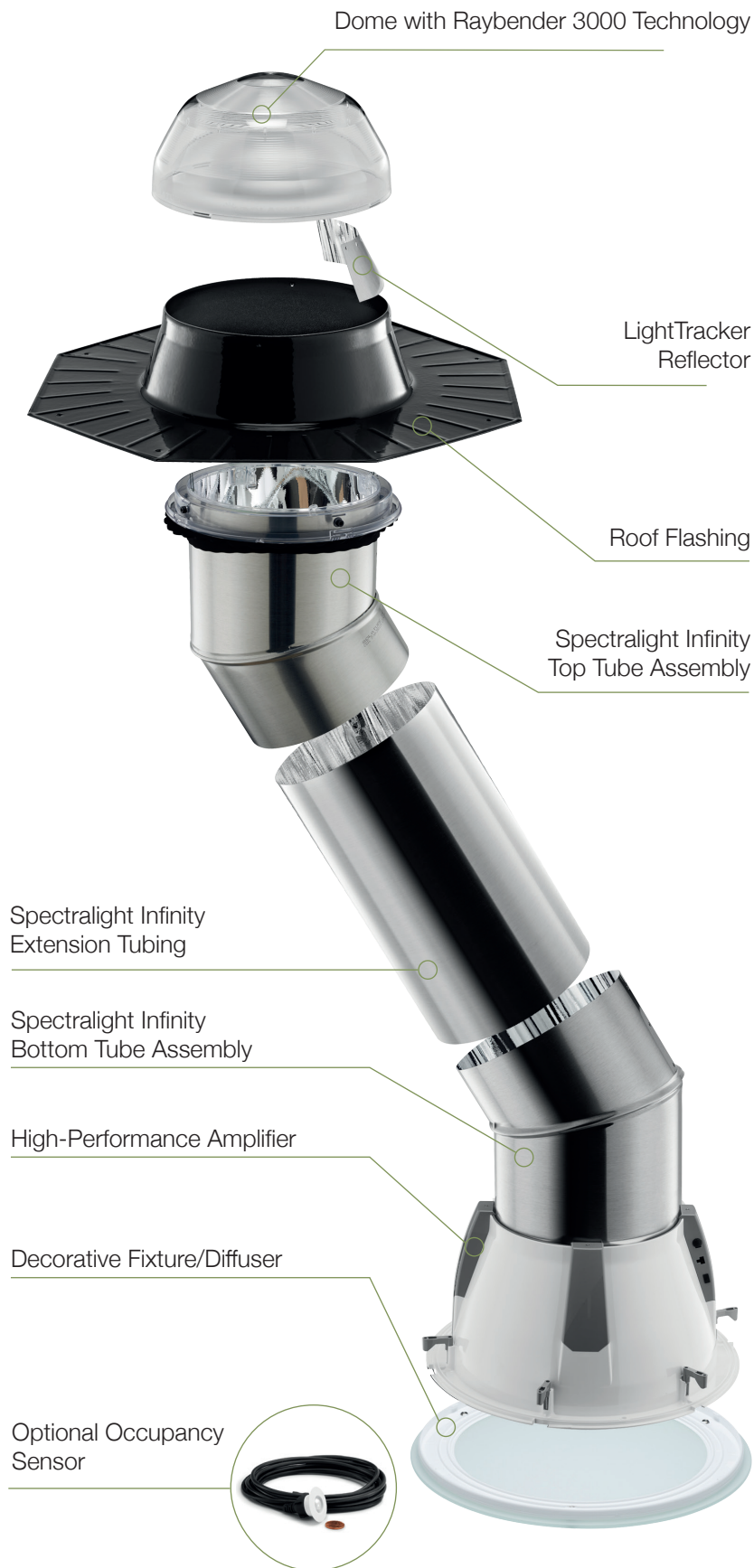
Using a unique "link and light" design, the Smart LED Secondary System (250 mm/10 in. diameter) makes it possible to synchronize lighting with the Smart LED Primary System without the need for a new electrical connection, allowing two Smart LED Systems to work in tandem.



Solatube
Smart LED
Primary System

Solatube
Smart LED
Secondary System





Amplifier

The patented Amplifier redirects light downward at the most effective angle, maximizing light output for powerful performance.



Daylight Sensor

The Daylight Sensor automatically activates the LEDs when needed to maintain consistent light levels.



Light Emitting Diodes (LEDs)

Four 3000K LEDs provide ultra-energy efficient lighting designed to last up to 20 years.



Optional Occupancy Sensor

Automatically triggers LEDs when light levels are low in an occupied area.



Decorative Fixtures and Diffusers

Solatube Daylighting Systems don't just deliver daylight to interiors.

They do it with style. Our Solatube Diffusers and Decorative Fixtures with tempered glass enhance the look of any interior with options that range from classic to contemporary. For even more customization, our specially designed Effect Lenses let you select the specific light colour and intensity.



JustFrost™

Simply stunning, JustFrost showcases sunlight in a clean, contemporary design.



TierDrop™

The low-profile TierDrop features a beautiful, cascading design for a classic look.



OptiView®

The unique, dazzling lens of OptiView delivers artful views of the sky in a low-profile design.



QuadraFrost™

QuadraFrost delivers stunning daylight with symmetry and style.



AuroraGlo™

Command attention with the smooth, cascading lines and subtle beauty of AuroraGlo. Available in white and bronze.



VividShade™

The chic VividShade accents daylight with contemporary fabric.



Classic OptiView/ Vusion™ Diffuser

These low-profile diffusers feature a modern, all-plastic design that complements any room.

Smart LED System Applications



*Solatube International
Vista, CA*



*Living Area
Chicago, IL*



*Alan Rich & Associates
Carlsbad, CA*

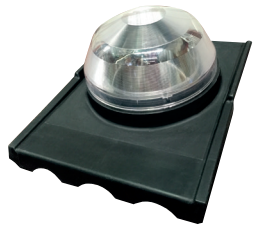


*Residential Bathroom
San Diego, CA*



*Alan Rich & Associates
Carlsbad, CA*

Product Options & Accessories



Concrete Tile Flashing



Corrugated Iron Flashing



Terracotta Tile Flashing



Pitched Flashing



Daylight Dimmer



Daylight Dimmer Switch



Occupancy Sensor



Spectralight Infinity Extension Tubes



Spectralight Infinity 0-90 Degree Angle Adapter



Flashing Insulator



Flashing Turret Extensions



Shock Inner Dome

To learn more about our products and services, visit our website. You may find our Technical Resources page especially helpful if you are looking for specifications, CAD drawings, BIM, installation instructions, cut sheets, approvals or other related information.



Solatube Australia Pty Ltd
2/5 Wenban Place, Wetherill Park NSW 2164

www.solatube.com.au
Toll Free 1800 131 619

HomeTech Solatube New Zealand

www.solatube.co.nz
Toll Free 0800 765 288