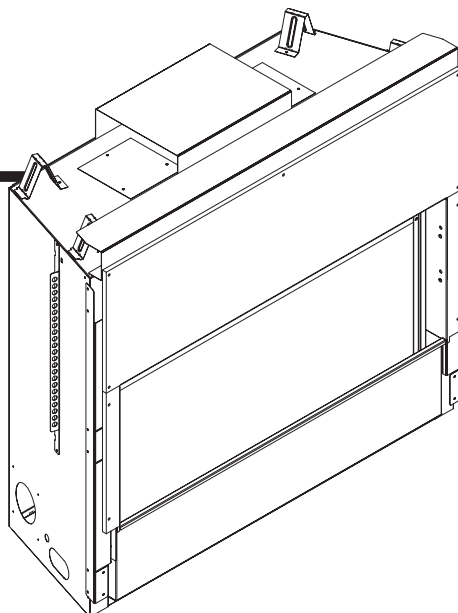


Model:  
XLR-PLUS-N-AU  
XLR-PLUS-PB-AU



SAI Global  
Gas Safety  
Certified

Ref No GSCS20194  
AS4553:2008

### NOTICE



#### DO NOT DISCARD THIS MANUAL

- Important operating and maintenance instructions included.
- Read, understand and follow these instructions for safe installation and operation.
- Leave this manual with party responsible for use and operation.

DO NOT  
DISCARD

**⚠ WARNING:** If the information in these instructions is not followed exactly, a fire or explosion may result causing property damage, personal injury, or death.

- **DO NOT** store or use gasoline or other flammable vapors and liquids in the vicinity of this or any other appliance.
- **DO NOT** spray aerosols in the vicinity of this appliance while it is in operation.
- **What to do if you smell gas**
  - **DO NOT** try to light any appliance.
  - **DO NOT** touch any electrical switch. **DO NOT** use any phone in your building.
  - Immediately call your gas supplier from a neighbor's phone. Follow the gas supplier's instructions.
  - If you cannot reach your gas supplier, call the fire department.
- Installation and service must be performed by a qualified installer, service agency, or the gas supplier.

### ⚠ WARNING



#### HOT SURFACES!

Glass and other surfaces are hot during operation AND cool down.

#### Hot glass will cause burns.

- **DO NOT** touch glass until it is cooled
  - **NEVER** allow children to touch glass
  - Keep children away
  - **CAREFULLY SUPERVISE** children in same room as fireplace.
  - Alert children and adults to hazards of high temperatures.
- High temperatures may ignite clothing or other flammable materials.**
- **DO NOT** place articles on or against this appliance.
  - Keep clothing, furniture, draperies and other flammable materials away.

***This appliance has been supplied with an integral barrier to prevent direct contact with the fixed glass panel. DO NOT operate the appliance with the barrier removed.***

Contact your dealer or Hearth & Home Technologies if the barrier is not present or help is needed to properly install one.

This is a room sealed appliance and no other ventilation is required than what is provided.



No one builds a better fire

PLEASE READ THIS MANUAL BEFORE INSTALLING  
AND USING THIS APPLIANCE.

**MODELS: XLR-PLUS-N-AU,  
XLR-PLUS-PB-AU**

**ARE SAI GLOBAL APPROVED FOR  
NATURAL GAS, PROPANE OR BUTANE  
AS A BALANCED FLUE HEATER.**

Refer to the appliance data plates for gas consumptions and pressures.

Installation of this appliance should only be carried out by an authorized person in accordance with the manufacturer's instructions. Appliance is to be installed in full compliance with the National Gas Installation Standard AS5601, the manufacturer's instructions, and any local authorities' requirements for gas, electrical and building regulations.

This appliance and its components are tested and safe when installed in accordance with this Installation Manual. Report to your dealer any parts damaged in shipment, specifically check glass condition. The gas logs and flue system components are in separate packages. Read all instructions before starting installation and

follow these instructions carefully during installation to ensure maximum benefit and safety. Failure to follow them will void your warranty and may present a fire hazard.

The Heat & Glo, a brand of Hearth & Home Technologies Inc. warranty will be voided by, and Heat & Glo, a brand of Hearth & Home Technologies Inc. disclaims any responsibility for the following actions:

- Installation of any damaged heater or flue system component
- Modification of the heater or balanced flue system installation other than as instructed by Heat & Glo, a brand of Hearth & Home Technologies Inc.
- Improper positioning of the gas logs or the glass door
- Installation and/or use of any component part not manufactured or approved by Heat & Glo, brand of Hearth & Home Technologies Inc., notwithstanding any independent testing laboratory or other party approval of such component part or accessory.

It is the responsibility of the professionals involved with the service and installation of the appliance to test the operation of the appliance before leaving the installation site.

**IMPORTANT:** Read all instructions carefully before starting installation. Failure to follow these installation instructions may result in a possible fire hazard and will void the warranty. Save this manual for future reference.

Heat & Glo, a brand of Hearth & Home Technologies, Inc.  
7571 215<sup>th</sup> Street West, Lakeville, MN 55044  
Copyright 2009 • Printed in U.S.A.

Read this manual before installing or operating this appliance.  
Please retain this owner's manual for future reference.

### A. Congratulations

Congratulations on selecting a Heat & Glo gas fireplace, an elegant and clean alternative to wood burning fireplaces. The Heat & Glo gas fireplace you have selected is designed to provide the utmost in safety, reliability, and efficiency.

As the owner of a new fireplace, you'll want to read and carefully follow all of the instructions contained in this owner's manual. Pay special attention to all cautions and warnings.

This owner's manual should be retained for future reference. We suggest that you keep it with your other important documents and product manuals.

The information contained in this owner's manual, unless noted otherwise, applies to all models and gas control systems.

Your new Heat & Glo gas fireplace will give you years of durable use and trouble-free enjoyment. Welcome to the Heat & Glo family of fireplace products!

<b>Homeowner Reference Information</b>	<i>We recommend that you record the following pertinent information about your fireplace.</i>
Model Name: _____	Date purchased/installed: _____
Serial Number: _____	Location on fireplace: _____
Dealership purchased from: _____	Dealer Phone: _____
Notes: _____	
_____	

### Listing Label Information/Location

The model information regarding your specific fireplace can be found on the rating plate usually located in the control area of the fireplace.

**HEAT & GLO** Heat & Glo, a brand of Hearth & Home Technologies Inc.  
No one builds a better fire 7571 215th Street West, Lakeville, MN 55044

SAI Global Certification N°:

Injector Size:.....	DMS (mm)
Gas Inlet Pressure:.....	kPa
Outlet (Manifold) Gas Pressure:.....	kPa
Turndown Outlet Gas Pressure:.....	N/A
Maximum Nominal Gas Consumption.....	MJ/h
Electrical Rating.....	240V 50hz 1A

This unit is designed to be recessed into framed construction.  
**TO BE INSTALLED ON WOOD FLOORING OR NON-COMBUSTIBLE FLOORING.**  
*See installation manual for details.*

**Gas Type:** \_\_\_\_\_ **Model:** \_\_\_\_\_

**MADE IN USA** Serial: \_\_\_\_\_

xxxx-xxx

Type of Gas →

Model Number →

Serial Number →

## ▲ Safety Alert Key:

- **DANGER!** Indicates a hazardous situation which, if not avoided will result in death or serious injury.
- **WARNING!** Indicates a hazardous situation which, if not avoided could result in death or serious injury.
- **CAUTION!** Indicates a hazardous situation which, if not avoided, could result in minor or moderate injury.
- **NOTICE:** Used to address practices not related to personal injury.

## Table of Contents

A. Congratulations . . . . .	3
B. Limited Lifetime Warranty . . . . .	6

### 1 Listing and Code Approvals

A. Appliance Certification . . . . .	8
B. Gas Pressure Requirements . . . . .	8
C. High Altitude Installations . . . . .	8
D. Non-Combustible Materials Specification . . . . .	8
E. Combustible Materials Specification . . . . .	8
F. Electrical Codes . . . . .	8

## User Guide

### 2 Operating Instructions

A. Gas Fireplace Safety . . . . .	9
B. Your Fireplace . . . . .	9
C. Clear Space . . . . .	10
D. Decorative Doors and Fronts . . . . .	10
E. Decorative Media Options . . . . .	10
F. Fixed Glass Assembly . . . . .	10
G. Remote Controls, Wall Controls and Wall Switches . . . . .	10
H. Before Lighting Fireplace . . . . .	10
I. Lighting Instructions (IPI) . . . . .	11
J. Control Module Operation . . . . .	12
K. After Fireplace is Lit . . . . .	13
L. Frequently Asked Questions . . . . .	13

### 3 Maintenance and Service

A. Maintenance Tasks-Homeowner . . . . .	14
B. Maintenance Tasks-Qualified Service Technician . . . . .	15

## Installer Guide

### 4 Getting Started

A. Typical Appliance System . . . . .	16
B. Design and Installation Considerations . . . . .	17
C. Tools and Supplies Needed . . . . .	17
D. Inspect Appliance and Components . . . . .	17

### 5 Framing and Clearances

A. Selecting Appliance Location . . . . .	18
B. Constructing the Appliance Chase . . . . .	19
C. Clearances . . . . .	19
D. Mantel and Wall Projections . . . . .	20

### 6 Termination Locations

A. Vent Termination Minimum Clearances . . . . .	21
--	----

### 7 Vent Information and Diagrams

A. Approved Pipe . . . . .	23
B. Vent Table Key . . . . .	23
C. Use of Elbows . . . . .	23
D. Measuring Standards . . . . .	23
E. Vent Diagrams . . . . .	23

### 8 Vent Clearances and Framing

A. Pipe Clearances to Combustibles . . . . .	30
B. Wall Penetration Framing . . . . .	30
C. Install the Ceiling Firestop . . . . .	31
D. Install Attic Insulation Shield . . . . .	32

### 9 Appliance Preparation

A. Top Vent . . . . .	33
B. Securing and Leveling the Appliance . . . . .	34
C. Installing the Optional Heat-Zone-240V Kit . . . . .	34

### 10 Installing Vent Pipe (SLP Pipe)

A. Assemble Vent Sections . . . . .	35
B. Assemble Slip Sections . . . . .	36
C. Secure The Vent Sections . . . . .	36
D. Disassemble Vent Sections . . . . .	37
E. Install Decorative Ceiling Components . . . . .	37
F. Install Metal Roof Flashing . . . . .	38
G. Assemble and Install Storm Collar . . . . .	38
H. Install Vertical Termination Cap . . . . .	39
I. Install Decorative Wall Components . . . . .	39
J. Heat Shield Requirements for Horizontal Termination . . . . .	39
K. Install Horizontal Termination Cap . . . . .	40

### 11 Gas Information

A. Gas Pressure Requirements . . . . .	41
B. Gas Connection . . . . .	41
C. High Altitude Installations . . . . .	42

### 12 Electrical Information

A. Wiring Requirements . . . . .	43
B. IntelliFire Plus Ignition System Wiring . . . . .	43
C. Optional Accessories Requirements . . . . .	43
D. Junction Cord Information . . . . .	44
E. Electrical Service and Repair . . . . .	44
F. Blower . . . . .	44

## 13 Finishing

A. Framing and Finishing Instructions . . . . .	45
B. Mantel and Wall Projections . . . . .	48
C. Facing Material . . . . .	49
D. Decorative Fronts . . . . .	51

## 14 Appliance Setup

A. Remove Fixed Glass Assembly . . . . .	52
B. Remove the Shipping Materials . . . . .	52
C. Clean the Appliance . . . . .	52
D. Accessories . . . . .	52
E. Fixed Glass Assembly . . . . .	52
F. Install the Mesh . . . . .	52
G. Air Shutter Setting . . . . .	53
H. Media Options . . . . .	53
I. Verify Performance of Appliance . . . . .	53

## 15 Troubleshooting

A. IntelliFire Plus Ignition System . . . . .	54
---	----

## 16 Component Access

A. Decorative Front and Fixed Glass Assembly Removal . .	57
B. Valve Pressure Taps . . . . .	57
C. Control Module Access . . . . .	57
D. Media Tray Removal . . . . .	57
E. Burner and Base Pan Removal . . . . .	57
F. Access Through the Valve Assembly . . . . .	58
G. Gas Valve Replacement . . . . .	59
H. Pilot Assembly Replacement . . . . .	59

## 17 Reference Materials

A. Appliance Dimension Diagram . . . . .	60
B. Maintenance Tasks . . . . .	61
C. Vent Components Diagrams . . . . .	62
D. Service Parts List . . . . .	67
E. Contact Information . . . . .	69

➔ = Contains updated information.

## Hearth & Home Technologies Inc. LIMITED LIFETIME WARRANTY

Hearth & Home Technologies Inc., on behalf of its hearth brands ("HHT"), extends the following warranty for HHT gas, wood, pellet, coal and electric hearth appliances that are purchased from an HHT authorized dealer.

### **WARRANTY COVERAGE:**

HHT warrants to the original owner of the HHT appliance at the site of installation, and to any transferee taking ownership of the appliance at the site of installation within two years following the date of original purchase, that the HHT appliance will be free from defects in materials and workmanship at the time of manufacture. After installation, if covered components manufactured by HHT are found to be defective in materials or workmanship during the applicable warranty period, HHT will, at its option, repair or replace the covered components. HHT, at its own discretion, may fully discharge all of its obligations under such warranties by replacing the product itself or refunding the verified purchase price of the product itself. The maximum amount recoverable under this warranty is limited to the purchase price of the product. This warranty is subject to conditions, exclusions and limitations as described below.

### **WARRANTY PERIOD:**

Warranty coverage begins on the date of original purchase. In the case of new home construction, warranty coverage begins on the date of first occupancy of the dwelling or six months after the sale of the product by an independent, authorized HHT dealer/ distributor, whichever occurs earlier. The warranty shall commence no later than 24 months following the date of product shipment from HHT, regardless of the installation or occupancy date. The warranty period for parts and labor for covered components is produced in the following table.

The term "Limited Lifetime" in the table below is defined as: 20 years from the beginning date of warranty coverage for gas appliances, and 10 years from the beginning date of warranty coverage for wood, pellet, and coal appliances. These time periods reflect the minimum expected useful lives of the designated components under normal operating conditions.

Warranty Period		HHT Manufactured Appliances and Venting							Components Covered
Parts	Labor	Gas	Wood	Pellet	EPA Wood	Coal	Electric	Venting	
1 Year		X	X	X	X	X	X	X	All parts and material except as covered by Conditions, Exclusions, and Limitations listed
2 years				X	X	X			Igniters, electronic components, and glass
		X	X	X	X	X			Factory-installed blowers
				X					Molded refractory panels
3 years				X					Firepots and burnpots
5 years	1 year			X	X				Castings and baffles
7 years	3 years		X	X	X				Manifold tubes, HHT chimney and termination
10 years	1 year	X							Burners, logs and refractory
Limited Lifetime	3 years	X	X	X	X	X			Firebox and heat exchanger
90 Days		X	X	X	X	X	X	X	All replacement parts beyond warranty period

See conditions, exclusions, and limitations on next page.

## **WARRANTY CONDITIONS:**

- This warranty only covers HHT appliances that are purchased through an HHT authorized dealer or distributor. A list of HHT authorized dealers is available on the HHT branded websites.
- This warranty is only valid while the HHT appliance remains at the site of original installation.
- Contact your installing dealer for warranty service. If the installing dealer is unable to provide necessary parts, contact the nearest HHT authorized dealer or supplier. Additional service fees may apply if you are seeking warranty service from a dealer other than the dealer from whom you originally purchased the product.
- Check with your dealer in advance for any costs to you when arranging a warranty call. Travel and shipping charges for parts are not covered by this warranty.

## **WARRANTY EXCLUSIONS:**

This warranty does not cover the following:

- Changes in surface finishes as a result of normal use. As a heating appliance, some changes in color of interior and exterior surface finishes may occur. This is not a flaw and is not covered under warranty.
- Damage to printed, plated, or enameled surfaces caused by fingerprints, accidents, misuse, scratches, melted items, or other external sources and residues left on the plated surfaces from the use of abrasive cleaners or polishes.
- Repair or replacement of parts that are subject to normal wear and tear during the warranty period. These parts include: paint, wood, pellet and coal gaskets, firebricks, grates, flame guides, light bulbs, batteries and the discoloration of glass.
- Minor expansion, contraction, or movement of certain parts causing noise. These conditions are normal and complaints related to this noise are not covered by this warranty.
- Damages resulting from: (1) failure to install, operate, or maintain the appliance in accordance with the installation instructions, operating instructions, and listing agent identification label furnished with the appliance; (2) failure to install the appliance in accordance with local building codes; (3) shipping or improper handling; (4) improper operation, abuse, misuse, continued operation with damaged, corroded or failed components, accident, or improperly/incorrectly performed repairs; (5) environmental conditions, inadequate ventilation, negative pressure, or drafting caused by tightly sealed constructions, insufficient make-up air supply, or handling devices such as exhaust fans or forced air furnaces or other such causes; (6) use of fuels other than those specified in the operating instructions; (7) installation or use of components not supplied with the appliance or any other components not expressly authorized and approved by HHT; (8) modification of the appliance not expressly authorized and approved by HHT in writing; and/or (9) interruptions or fluctuations of electrical power supply to the appliance.
- Non-HHT venting components, hearth components or other accessories used in conjunction with the appliance.
- Any part of a pre-existing fireplace system in which an insert or a decorative gas appliance is installed.
- HHT's obligation under this warranty does not extend to the appliance's capability to heat the desired space. Information is provided to assist the consumer and the dealer in selecting the proper appliance for the application. Consideration must be given to appliance location and configuration, environmental conditions, insulation and air tightness of the structure.

## **This warranty is void if:**

- The appliance has been over-fired or operated in atmospheres contaminated by chlorine, fluorine, or other damaging chemicals. Over-firing can be identified by, but not limited to, warped plates or tubes, rust colored cast iron, bubbling, cracking and discoloration of steel or enamel finishes.
- The appliance is subjected to prolonged periods of dampness or condensation.
- There is any damage to the appliance or other components due to water or weather damage which is the result of, but not limited to, improper chimney or venting installation.

## **LIMITATIONS OF LIABILITY:**

- The owner's exclusive remedy and HHT's sole obligation under this warranty, under any other warranty, express or implied, or in contract, tort or otherwise, shall be limited to replacement, repair, or refund, as specified above. In no event will HHT be liable for any incidental or consequential damages caused by defects in the appliance. Some states do not allow exclusions or limitation of incidental or consequential damages, so these limitations may not apply to you. This warranty gives you specific rights; you may also have other rights, which vary from state to state. EXCEPT TO THE EXTENT PROVIDED BY LAW, HHT MAKES NO EXPRESS WARRANTIES OTHER THAN THE WARRANTY SPECIFIED HEREIN. THE DURATION OF ANY IMPLIED WARRANTY IS LIMITED TO DURATION OF THE EXPRESSED WARRANTY SPECIFIED ABOVE.

# 1 Listing and Code Approvals

## A. Appliance Certification

**MODELS:** XLR-PLUS-N-AU, XLR-PLUS-PB-AU

**LABORATORY:** SAI Global

**TYPE:** Gas Space Heating Appliance

**STANDARD:** AS4553-2008

The Heat & Glo gas appliances discussed in this Installer's Guide have been tested to certification standards and listed by the applicable laboratories.

This appliance must be installed in accordance with the rules in force.  
NOX Class 5 for G20, NOX Class 5 for G31

## B. Gas Pressure Requirements

Pressure requirements for XLR-PLUS fireplaces are shown in table below.

Two taps are provided on the right hand side of the gas control for a test gauge connection to measure the inlet and outlet pressures.

The fireplace and its individual shut-off valve must be disconnected from the gas supply piping system during any pressure testing of the system at test pressures in excess of 3.4 kPa.

If the fireplace must be isolated from the gas supply piping system by closing an individual shut-off valve, it must be of the handle-less type.

	Natural Gas	Propane	Butane
Inlet Pressure	1.13 kPa	2.75 kPa	2.75 kPa
Outlet Gas Pressure	0.80 kPa	2.40 kPa	2.40 kPa
Gas Rate	.405 m <sup>3</sup> /h	.134 m <sup>3</sup> /h	.111 m <sup>3</sup> /h
Maximum Gas Consumption	26 MJ/h	26.0 MJ/h	22 MJ/h
Burner Injector	DMS 42 (2.350 mm)	DMS .057 (1.450 mm)	DMS 55 (1.325)
Pilot Injector	Ø .023 (.584 mm)	Ø .014 (.356 mm)	Ø .010 (.254 mm)

Columns highlighted in gray = The gas control valve supplied with this product is approved for a maximum inlet pressure of 3.4 kPa. For pressures over 3.4 kPa, an in line pressure regulator must be installed upstream from the gas control valve.

## C. High Altitude Installations

**NOTICE:** If the heating value of the gas has been reduced, these rules do not apply. Check with your local gas utility or authorities having jurisdiction.

When installing above 610 meter elevation:

Reduce input rate 4% for each 305 meters feet above 610 meters.

## D. Non-Combustible Materials Specification

Material which will not ignite and burn. Such materials are those consisting entirely of steel, iron, brick, tile, concrete, slate, glass or plasters, or any combination thereof.

Materials that are reported as passing **ASTM E 136, Standard Test Method for Behavior of Materials in a Vertical Tube Furnace at 750 °C** and **UL763** shall be considered non-combustible materials.

## E. Combustible Materials Specification

Materials made of or surfaced with wood, compressed paper, plant fibers, plastics, or other material that can ignite and burn, whether flame proofed or not, or plastered or unplastered shall be considered combustible materials.

## F. Electrical Codes

All electrical safety testing has been done following the EN 60335-2-102 standard. Local codes apply.



## A. Gas Fireplace Safety

### ⚠ WARNING



#### HOT SURFACES!

Glass and other surfaces are hot during operation AND cool down.

#### Hot glass will cause burns.

- **DO NOT** touch glass until it is cooled
- **NEVER** allow children to touch glass

- Keep children away
- **CAREFULLY SUPERVISE** children in same room as fireplace.

Alert children and adults to hazards of high temperatures.

#### High temperatures may ignite clothing or other flammable materials.

- Keep clothing, furniture, draperies and other flammable materials away.

***This appliance has been supplied with an integral barrier to prevent direct contact with the fixed glass panel. DO NOT operate the appliance with the barrier removed.***

Contact your dealer or Hearth & Home Technologies if the barrier is not present or help is needed to properly install one.

**WARNING! Choking Hazard!** Keep glass rock media out of reach of children.

If you expect that small children or vulnerable adults may come into contact with this fireplace, the following precautions are recommended:

- Install a physical barrier such as:
  - A decorative firescreen.
  - Adjustable safety gate.
- Install a switch lock or a wall/remote control with child protection lockout feature.
- Keep remote controls out of reach of children.
- Never leave children alone near a hot fireplace, whether operating or cooling down.
- Teach children to **NEVER** touch the fireplace.
- Consider not using the fireplace when children will be present.

Contact your dealer for more information, or visit: [www.hpba.org/safety-information](http://www.hpba.org/safety-information).

To prevent unintended operation when not using your fireplace for an extended period of time (summer months, vacations, trips, etc):

- Remove batteries from remote controls.
- Turn off wall controls.
- Unplug 6 volt adapter plug and remove batteries on IPI models.

## B. Your Fireplace

**WARNING! DO NOT operate fireplace before reading and understanding operating instructions. Failure to operate fireplace according to operating instructions could cause fire or injury.**

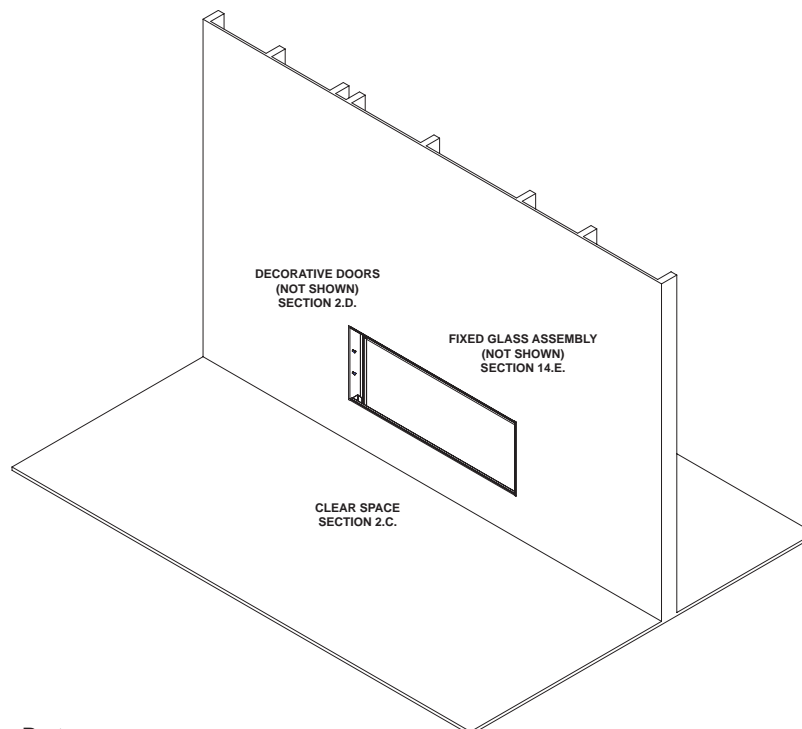


Figure 2.1 General Operating Parts

## C. Clear Space

**WARNING! DO NOT** place combustible objects in front of the fireplace or block louvers. High temperatures may start a fire. See Figure 2.2.

Avoid placing candles and other heat-sensitive objects on mantel or hearth. Heat may damage these objects.

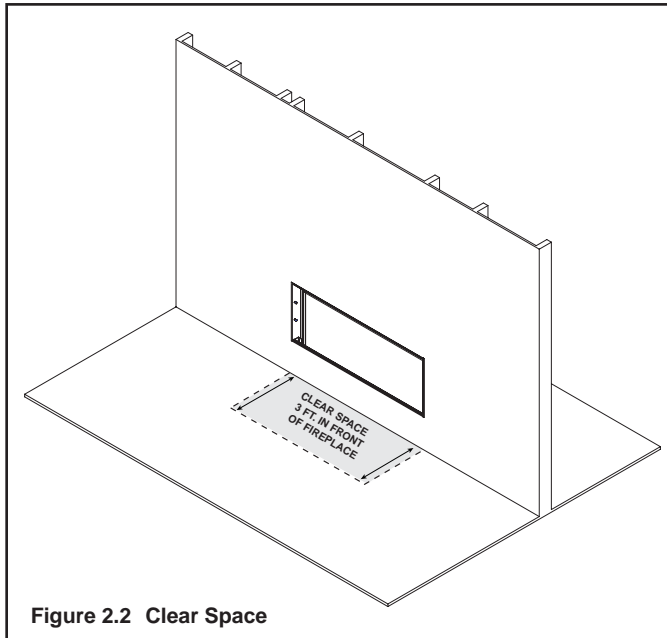


Figure 2.2 Clear Space

## D. Decorative Doors and Fronts

**WARNING! Risk of Fire!** Install **ONLY** doors or fronts approved by Hearth & Home Technologies. Unapproved doors or fronts may cause fireplace to overheat.

**This decorative front has been supplied with an integral barrier to prevent direct contact with the fixed glass panel. DO NOT operate the fireplace with the barrier removed.**

Contact your dealer or Hearth & Home Technologies if the barrier is not present or help is needed to properly install one.

For more information refer to the instructions supplied with your decorative door or front.

## E. Decorative Media Options

This appliance ships standard without a decorative media option. For installation and removal of these decorative media options, refer to installation instructions which ship with the media options.

## F. Fixed Glass Assembly

See Section 14.E.

## G. Remote Controls, Wall Controls and Wall Switches

Follow the instructions supplied with the control installed to operate your fireplace:

For safety:

- Install a switch lock or a wall/remote control with child protection lockout feature.
- Keep remote controls out of reach of children.

See your dealer if you have questions.

## H. IPI Battery Tray/Battery Installation

The IntelliFire Plus™ system has a battery backup option. Battery longevity and performance will be affected by the service temperatures of this appliance.

**NOTICE:** Batteries should only be used as a power source in the event of an emergency such as an outage.

## I. Before Lighting Fireplace

Before operating this fireplace for the first time, **have a qualified service technician:**

- Verify all shipping materials have been removed from inside and/or underneath the firebox.
- Verify that rock media tray is securely fastened to the base pan.
- Check the wiring.
- Check the air shutter adjustment.
- Ensure that there are no gas leaks.
- Ensure that the glass is sealed and in the proper position and that the integral barrier is in place.

**WARNING! Risk of Fire or Asphyxiation! DO NOT operate fireplace with fixed glass assembly removed.**

## → I. Lighting Instructions (IPI)

The IPI system may be operated with four C-cell batteries. When using batteries, unplug the transformer. To prolong battery life, remove them when using the transformer.

### FOR YOUR SAFETY READ BEFORE LIGHTING

**WARNING:** If you do not follow these instructions exactly, a fire or explosion may result causing property damage, personal injury or loss of life.

- A.** This appliance is equipped with an intermittent pilot ignition (IPI) device which automatically lights the burner. **DO NOT** try to light the burner by hand.
- Immediately call your gas supplier from a neighbor's phone. Follow the gas supplier's instructions.
  - If you cannot reach your gas supplier, call the fire department.

**B. BEFORE LIGHTING,** smell all around the appliance area for gas. Be sure to smell next to the floor because some gas is heavier than air and will settle on the floor.

#### WHAT TO DO IF YOU SMELL GAS

- **DO NOT** try to light any appliance.
- **DO NOT** touch any electric switch; do not use any phone in your building.

### WARNING:

**DO NOT CONNECT LINE VOLTAGE (110/120 VAC OR 220/240 VAC) TO THE CONTROL VALVE.**

Improper installation, adjustment, alteration, service or maintenance can cause injury or property damage. Refer to the owner's information manual provided with this appliance.

This appliance needs fresh air for safe operation and must be installed so there are provisions for adequate combustion and ventilation air.

If not installed, operated, and maintained in accordance with the manufacturer's instructions, this product could expose you to substances in fuel or fuel combustion which are known to the State of California to cause cancer, birth defects, or other reproductive harm.

Keep burner and control compartment clean. See installation and operating instructions accompanying appliance.

For additional information on operating your  
Hearth & Home Technologies fireplace, please refer to [www.fireplaces.com](http://www.fireplaces.com).

### CAUTION:

Hot while in operation. **DO NOT** touch. Keep children, clothing, furniture, gasoline and other liquids having flammable vapors away.

**DO NOT** operate the appliance with fixed glass assembly removed, cracked or broken. Replacement of the fixed glass assembly should be done by a licensed or qualified service person.

### NOT FOR USE WITH SOLID FUEL

For use with natural gas and propane. A conversion kit, as supplied by the manufacturer, shall be used to convert this appliance to the alternate fuel.

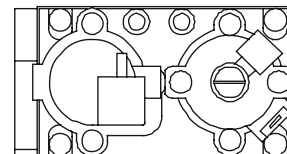
**Also Certified for Installation in a Bedroom or a Bedsitting Room.**

For assistance or additional information, consult a qualified installer, service agency or the gas supplier.

### LIGHTING INSTRUCTIONS (IPI)

1. This appliance is equipped with an ignition device which automatically lights the burner. **DO NOT** try to light the burner by hand.

GAS  
VALVE



2. Wait five (5) minutes to clear out any gas. Then smell for gas, including near the floor. If you smell gas, STOP! Follow "B" in the Safety Information located on the left side of this label. If you do not smell gas, go to next step.

3. To light the burner:

Equipped with wall switch: Turn ON/OFF switch to ON.

Equipped with remote or wall control: Press ON or FLAME button.

Equipped with thermostat: Set temperature to desired setting.

4. If the appliance does not light after three tries, call your service technician or gas supplier.

### TO TURN OFF GAS TO APPLIANCE

1. Equipped with wall switch: Turn ON/OFF switch to OFF.

Equipped with remote or wall control: Press OFF button.

Equipped with thermostat: Set temperature to lowest setting.

2. Service technician should turn off electric power to the control when performing service.

593-913G

Final inspection by \_\_\_\_\_

## J. Control Module Operation

1. The control module has an ON/OFF/REMOTE selector switch that must be set.

**OFF Position:** Appliance will ignore all power inputs and will not respond to any commands from a wall switch or optional remote. The unit should be in the OFF position during installation, service, fuel conversion, and in the event that the control goes into LOCK-OUT mode as a result of an error code.

**ON Position:** Appliance will ignite and run continuously in the HI flame setting, with no adjustment in flame output. This mode of operation is primarily used for initial installation and inspection.

**REMOTE Position:** Appliance will initiate commands from a wired wall switch and/or one of the optional wireless remote options.

2. A wall switch can be wired into the control module brown and red wires. See Figure 12.1.
3. The control module has safety feature that automatically shuts down the fireplace after 9 hours of continuous operation without receiving a command from the wall switch or optional remote.
4. If you intend to use both a wired wall switch and an optional remote control to operate your fireplace, the wall switch will override any commands given by the remote.

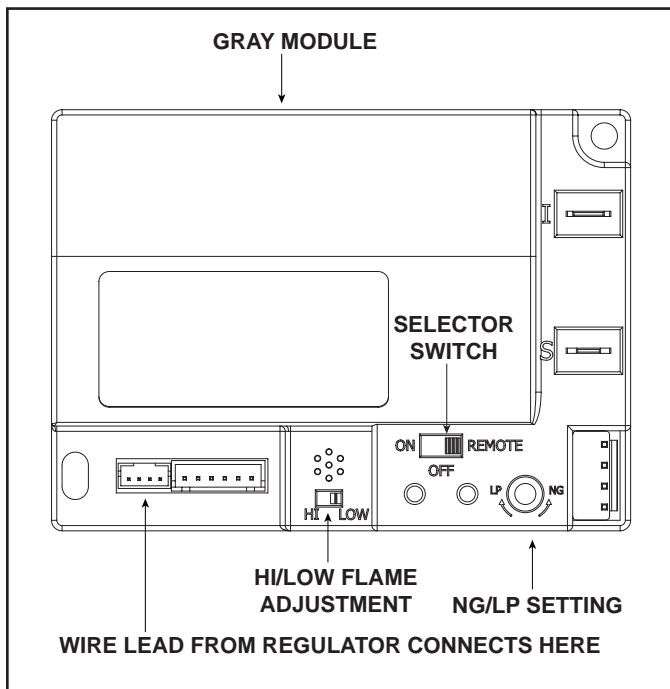


Figure 2.3 Control Module

**Note:** The HI/LO and LP/NG switches on the control module are non-functional on the XLR fireplace.

## 5. Module Reset Switch

This module may lock-out under certain conditions. When this occurs, the appliance will not ignite or respond to commands. The module will go into lock-out mode by emitting three audible beeps, then continuously displaying a RED/GREEN error code at its status indicator LED.

- Check battery tray. Remove batteries if installed. Batteries should only be installed for use during power outages. See Section H.
- Locate the module reset switch. See Figure 2.4 or 2.5.
- Set the module reset switch to the RESET position.
- Wait five (5) minutes to allow possible accumulated gas to clear.
- Set the module reset switch to ON.
- Start the appliance.

**WARNING! Risk of Explosion! DO NOT** press the module reset switch more than one time within a five minute time period. Gas may accumulate in firebox. Call a qualified service technician.

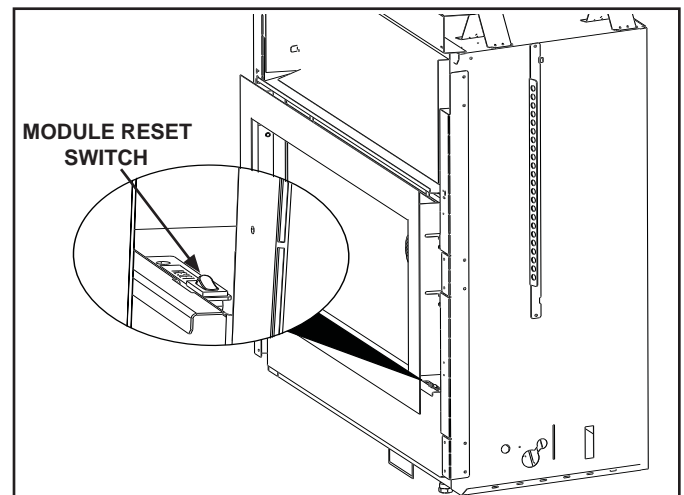


Figure 2.4 Location of Module Reset Switch - Tonic Front

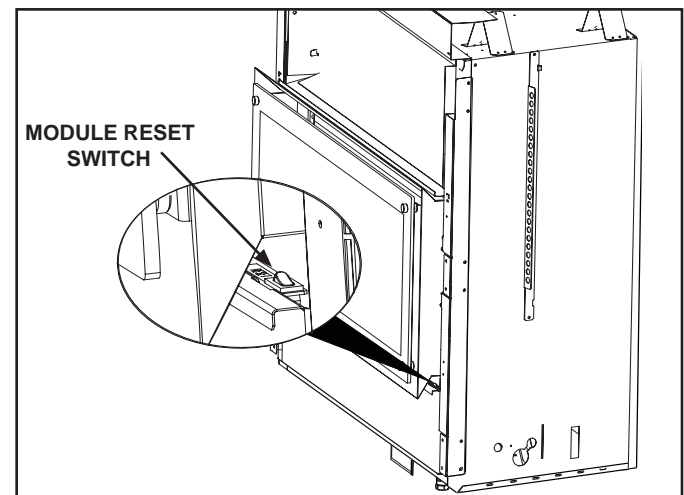


Figure 2.5 Location of Module Reset Switch - Martini Front

## K. After Fireplace is Lit

### Initial Break-in Procedure

- The fireplace should be run three to four hours continuously on high.
- Turn the fireplace off and allow it to completely cool.
- Remove fixed glass assembly. See Section 14.E.
- Clean fixed glass assembly. See Section 3.A.
- Replace the fixed glass assembly and run continuously on high an additional 12 hours.

This cures the materials used to manufacture the fireplace.

### **NOTICE! Open windows for air circulation during fireplace break-in.**

- *Some people may be sensitive to smoke and odors.*
- *Smoke detectors may activate.*

## L. Frequently Asked Questions

ISSUE	SOLUTIONS
Condensation on the glass	This is a result of gas combustion and temperature variations. As the fireplace warms, this condensation will disappear.
Blue flames	This is a result of normal operation and the flames will begin to yellow as the fireplace is allowed to burn for 20 to 40 minutes.
Odor from fireplace	When first operated, this fireplace may release an odor for the first several hours. This is caused by the curing of materials from manufacturing. Odor may also be released from finishing materials and adhesives used near the fireplace. These circumstances may require additional curing related to the installation environment.
Film on the glass	This is a normal result of the curing process of the paint. Glass should be cleaned within 3 to 4 hours of initial burning. A non-abrasive cleaner such as gas appliance glass cleaner may be necessary. See your dealer.
Metallic noise	Noise is caused by metal expanding and contracting as it heats up and cools down, similar to the sound produced by a furnace or heating duct. This noise does not affect the operation or longevity of the fireplace.
Wall above appliance feels hot to the touch.	No action necessary. This appliance ships with a non-combustible material attached. Specifications of the attached non-combustible material are listed in Section 1.E.
Glass rock media changes color or luster	This is the normal response to prolonged heat exposure. The glass rock media may lose some of its luster over time. See your dealer for replacement media.

# 3 Maintenance and Service

Any safety screen or guard removed for servicing must be replaced prior to operating the fireplace.

When properly maintained, your fireplace will give you many years of trouble-free service. We recommend annual service by a qualified service technician.

All parts listed in this manual may be ordered from an authorized dealer. A list of available service parts is located in Section 17.C of this manual and in the installation instructions included in decorative media.

## A. Maintenance Tasks-Homeowner

Installation and repair should be done by a qualified service technician only. The fireplace should be inspected before use and at least annually by a professional service person.

The following tasks may be performed annually by the homeowner. If you are uncomfortable performing any of the listed tasks, please call your dealer for a service appointment.

**CAUTION! Risk of Burns!** The fireplace should be turned off and cooled before servicing.

### Glass Cleaning

**Frequency:** Seasonally

**By:** Homeowner

**Tools Needed:** Protective gloves, glass cleaner, drop cloth and a stable work surface.

**CAUTION! Handle fixed glass assembly with care.** Glass is breakable.

- Avoid striking, scratching or slamming glass
- Avoid abrasive cleaners
- **DO NOT** clean glass while it is hot
- Prepare a work area large enough to accommodate fixed glass assembly and door frame by placing a drop cloth on a flat, stable surface.

**Note:** Fixed glass assembly and gasketing may have residue that can stain carpeting or floor surfaces.

- Remove door or decorative front from fireplace and set aside on work surface.
- See Section 14.E for instructions to remove fixed glass assembly.
- Clean glass with a non-abrasive commercially available cleaner.
  - Light deposits: Use a soft cloth with soap and water
  - Heavy deposits: Use commercial fireplace glass cleaner (consult with your dealer)
- Reinstall door or decorative front.

### Decorative Doors

**Frequency:** Annually

**By:** Homeowner

**Tools needed:** Protective gloves, stable work surface

- Refer to the installation instructions which ship with the decorative door.
- Assess condition of screen and replace as necessary.
- Inspect for scratches, dents or other damage and repair as necessary.
- Check that louvers are not blocked.
- Vacuum and dust surfaces.

### Venting

**Frequency:** Seasonally

**By:** Homeowner

**Tools needed:** Protective gloves and safety glasses.

- Inspect venting and termination cap for blockage or obstruction such plants, bird nests, leaves, snow, debris, etc.
- Verify termination cap clearance to subsequent construction (building additions, decks, fences, or sheds). See Section 6.
- Inspect for corrosion or separation.
- Verify weather stripping, sealing and flashing remains intact.
- Inspect draft shield to verify it is not damaged or missing.

### Decorative Media Options

**Frequency:** Maintenance is not required

**By:** Homeowner

**Tools needed:** Protective gloves and safety glasses.

- The decorative media options DO NOT require routine maintenance if they are properly installed. Refer to the installation instructions which ship the decorative media to verify correct installation.

## B. Maintenance Tasks-Qualified Service Technician

The following tasks must be performed by a qualified service technician.

### Gasket Seal and Glass Assembly Inspection

**Frequency:** Annually

**By:** Qualified Service Technician

**Tools needed:** Protective gloves, drop cloth and a stable work surface.

- Inspect gasket seal and its condition.
- Inspect fixed glass assembly for scratches and nicks that can lead to breakage when exposed to heat.
- Confirm there is no damage to glass or glass frame. Replace as necessary.
- Verify that fixed glass assembly is properly retained and attachment components are intact and not damaged. Replace as necessary.

### Firebox

**Frequency:** Annually

**By:** Qualified Service Technician

**Tools needed:** Protective gloves, sandpaper, steel wool, cloths, mineral spirits, primer and touch-up paint.

- Inspect for paint condition, warped surfaces, corrosion or perforation. Sand and repaint as necessary.
- Replace fireplace if firebox has been perforated.

### Control Compartment and Firebox Top

**Frequency:** Annually

**By:** Qualified Service Technician

**Tools needed:** Protective gloves, vacuum cleaner, dust cloths

- Vacuum and wipe out dust, cobwebs, debris or pet hair. Use caution when cleaning these areas. Screw tips that have penetrated the sheet metal are sharp and should be avoided.
- Remove all foreign objects.
- Verify unobstructed air circulation.

### Gas Pressure Information

**Frequency:** Upon initial installation and gas valve replacement or service.

**By:** Qualified Service Technician

**Tools needed:** Protective gloves, manometer, flashlight, screw driver set.

- Gas pressure taps are accessible by removing the decorative front and fixed glass assembly. Refer to Section 11.A for information related to the gas valve and gas pressure settings.

## Burner Ignition and Operation

**Frequency:** Annually

**By:** Qualified Service Technician

**Tools needed:** Protective gloves, vacuum cleaner, whisk broom, flashlight, voltmeter, indexed drill bit set, and a manometer.

- Verify burner is properly secured and aligned with pilot or igniter.
- Clean off burner top, inspect for plugged ports, corrosion or deterioration. Replace burner if necessary.
- Check for smooth lighting and ignition carryover to all ports. Verify that there is no ignition delay.
- Inspect for lifting or other flame problems.
- Verify air shutter setting is correct. See Section 14.G for required air shutter setting. Verify air shutter is clear of dust and debris.
- Inspect orifice for soot, dirt and corrosion. Verify orifice size is correct. See Service Parts List for proper orifice sizing.
- Verify manifold and inlet pressures. Adjust regulator as required.
- Inspect pilot flame pattern and strength. See Figure 3.1 for proper pilot flame pattern. Clean or replace orifice spud as necessary.
- Inspect IPI flame sensing rod for soot, corrosion and deterioration. Clean with emery cloth or replace as required.
- Verify that there is not a short in flame sense circuit by checking continuity between pilot hood and flame sensing rod. Replace pilot as necessary.

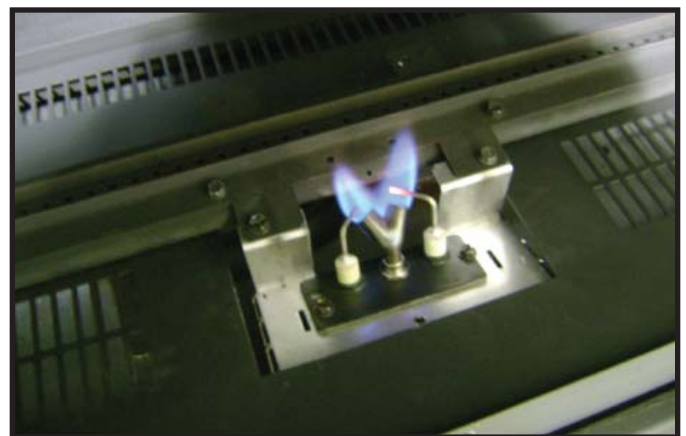


Figure 3.1 IPI Pilot Flame Pattern

# 4 Getting Started

# Installer Guide

## A. Typical Appliance System

**NOTICE:** Illustrations and photos reflect typical installations and are for design purposes only. Illustrations/diagrams are not drawn to scale. Actual product may vary from pictures in manual

**Note:** Dual venting configurations **ARE NOT** allowed. Appliance **MUST** be vented **EITHER** vertically **OR** horizontally.

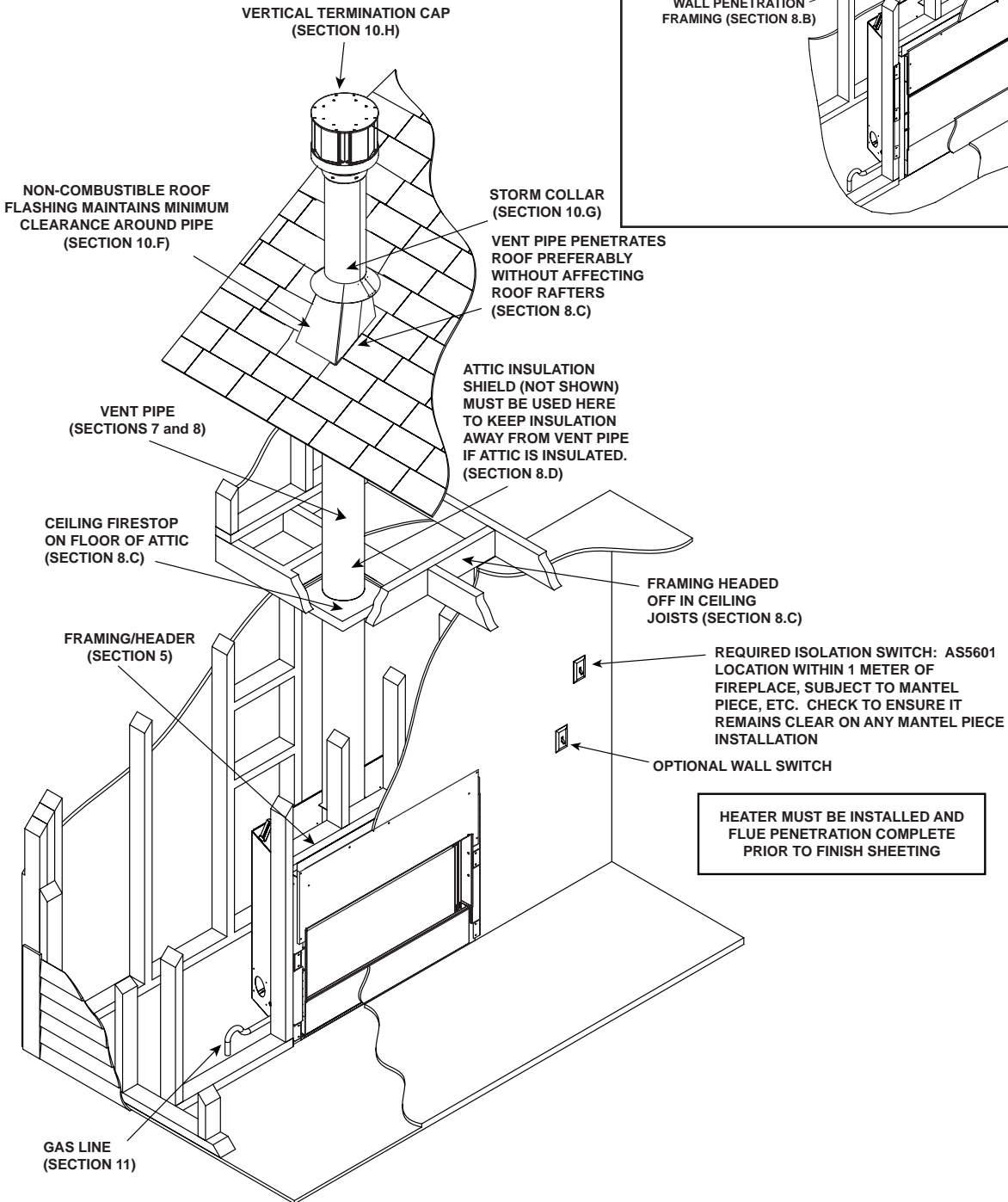


Figure 4.1 Typical System



## B. Design and Installation Considerations

Heat & Glo direct vent gas appliances are designed to operate with all combustion air siphoned from outside of the building and all exhaust gases expelled to the outside. No additional outside air source is required.

Before installing, determine the following:

- Where the appliance is to be installed.
- The vent system configuration to be used.
- Gas supply piping.
- Electrical wiring requirements.
- Framing and finishing details.
- Whether optional accessories—devices such as a wall switch or remote control—are desired.

Improper installation, adjustment, alteration, service or maintenance can cause injury or property damage. For assistance or additional information, consult a qualified service technician, service agency or your dealer.

## C. Tools and Supplies Needed

Before beginning the installation be sure that the following tools and building supplies are available.

Tape measure	Framing material
Pliers	High temperature caulking material
Hammer	Phillips screwdriver (magnetic)
Gloves	Framing square
Voltmeter	Electric drill and bits (1/4 in. magnetic)
Plumb line	Safety glasses
Level	Reciprocating saw
Manometer	Flat blade screwdriver
Non-corrosive leak check solution	
1/2 - 3/4 in. length, #6 or #8 Self-drilling screws	
One 1/4 in. female connection (for optional fan).	

## D. Inspect Appliance and Components

- Carefully remove the appliance and components from the packaging.
- The vent system components and decorative doors and fronts may be shipped in separate packages.
- Report to your dealer any parts damaged in shipment, particularly the condition of the glass.
- **Read all of the instructions before starting the installation. Follow these instructions carefully during the installation to ensure maximum safety and benefit.**

**WARNING! Risk of Fire or Explosion!** Damaged parts could impair safe operation. **DO NOT** install damaged, incomplete or substitute components. Keep appliance dry.

Hearth & Home Technologies disclaims any responsibility for, and the warranty will be voided by, the following actions:

- Installation and use of any damaged appliance or vent system component.
- Modification of the appliance or vent system.
- Installation other than as instructed by Hearth & Home Technologies.
- Improper positioning of the gas logs or the glass door.
- Installation and/or use of any component part not approved by Hearth & Home Technologies.

**Any such action may cause a fire hazard.**

**WARNING! Risk of Fire, Explosion or Electric Shock!** **DO NOT** use this appliance if any part has been under water. Call a qualified service technician to inspect the appliance and to replace any part of the control system and/or gas control which has been under water.

# 5 Framing and Clearances

## A. Selecting Appliance Location

When selecting a location for the appliance it is important to consider the required clearances to walls (see Figure 5.1).

**WARNING! Risk of Fire or Burns!** Provide adequate clearance around air openings and for service access. Due to high temperatures, the appliance should be located out of traffic and away from furniture and draperies.

**NOTICE:** Illustrations reflect typical installations and are FOR DESIGN PURPOSES ONLY. Illustrations/diagrams are not drawn to scale. Actual installation may vary due to individual design preference.

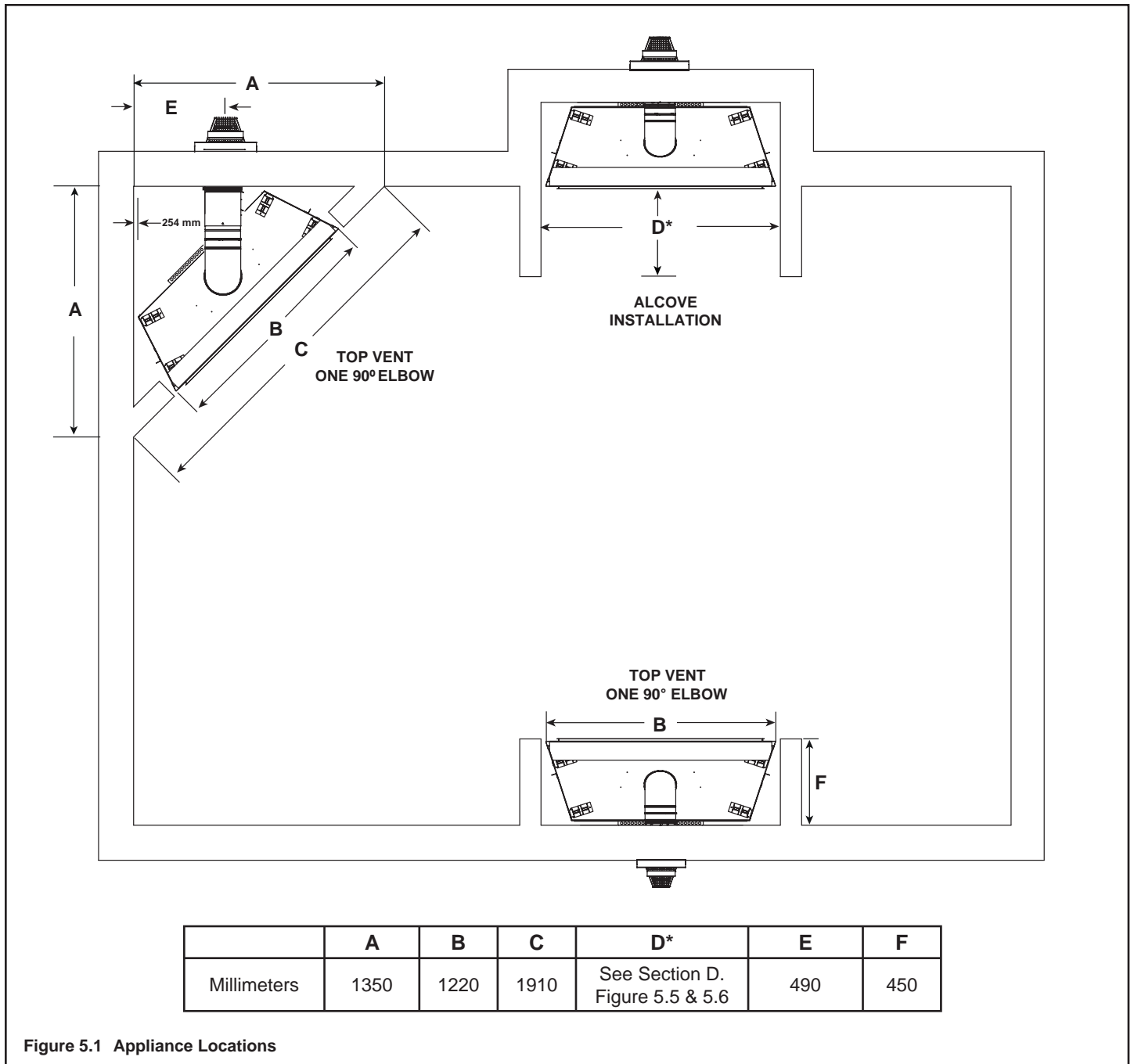


Figure 5.1 Appliance Locations

## B. Constructing the Appliance Chase

A chase is a vertical box-like structure built to enclose the gas appliance and/or its vent system. In cooler climates the vent should be enclosed inside the chase.

**NOTICE:** Treatment of ceiling firestops and wall shield firestops and construction of the chase may vary with the type of building. These instructions are not substitutes for the requirements of local building codes. Therefore, you **MUST** check local building codes to determine the requirements to these steps.

Chases should be constructed in the manner of all outside walls of the home to prevent cold air drafting problems. The chase should not break the outside building envelope in any manner.

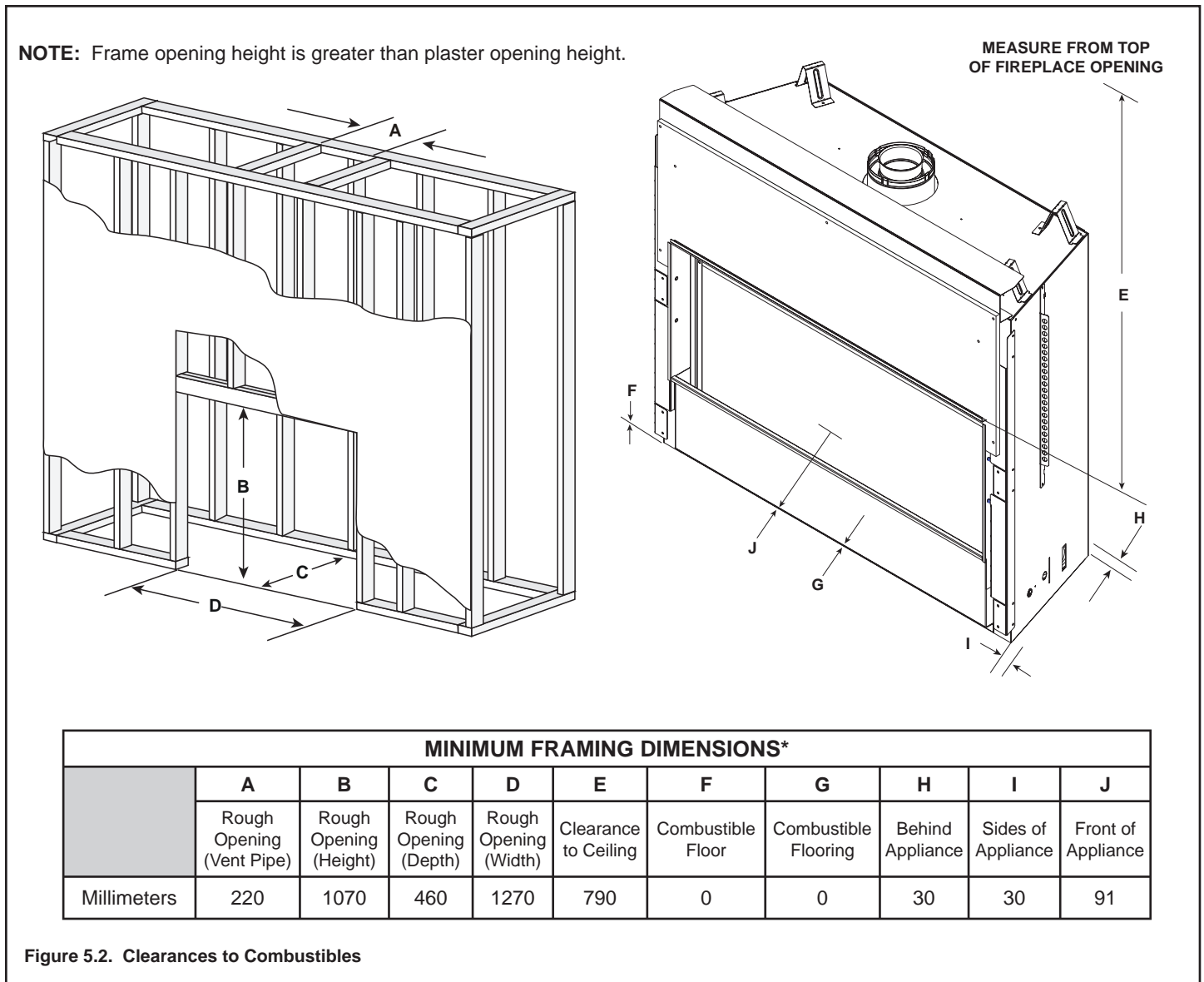
## C. Clearances

**NOTICE:** Install appliance on hard metal or wood surfaces extending full width and depth. **DO NOT** install directly on carpeting, vinyl, tile or any combustible material other than wood.

**WARNING! Risk of Fire!** Maintain specified air space clearances to appliance and vent pipe:

- Insulation and other materials must be secured to prevent accidental contact.
- The chase must be properly blocked to prevent blown insulation or other combustibles from entering and making contact with fireplace or chimney.
- Failure to maintain airspace may cause overheating and a fire.

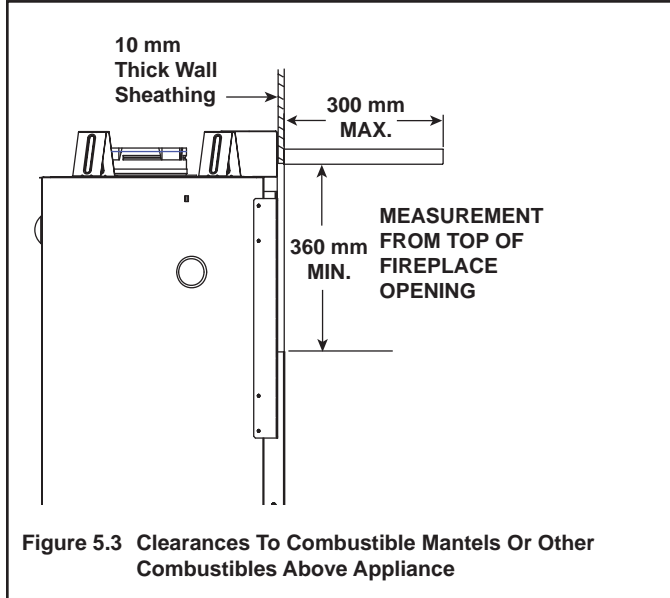
**Note:** Figure 5.2 shows the fireplace installed on the floor. However, this fireplace can be elevated off the floor provided that the fireplace is properly supported by framing materials and the ceiling clearances are maintained.



## D. Mantel and Wall Projections

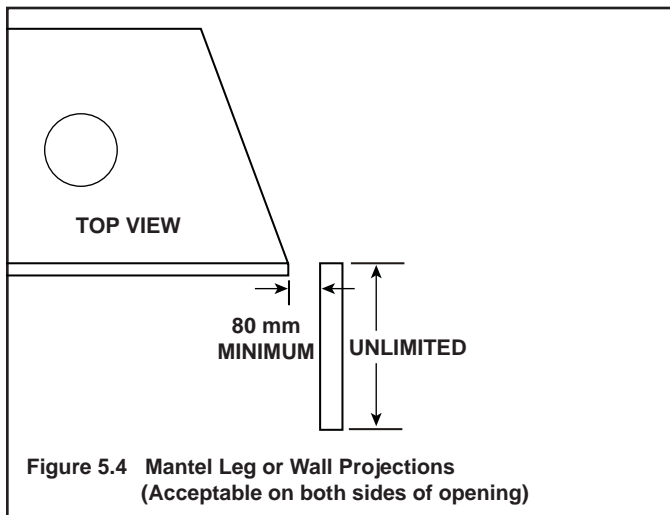
**WARNING! Risk of Fire!** Comply with all minimum clearances to combustibles as specified. Framing or finishing material closer than the minimums listed must be constructed entirely of noncombustible materials (i.e., steel studs, concrete board, etc).

### Mantels (Combustible/Non-Combustible)

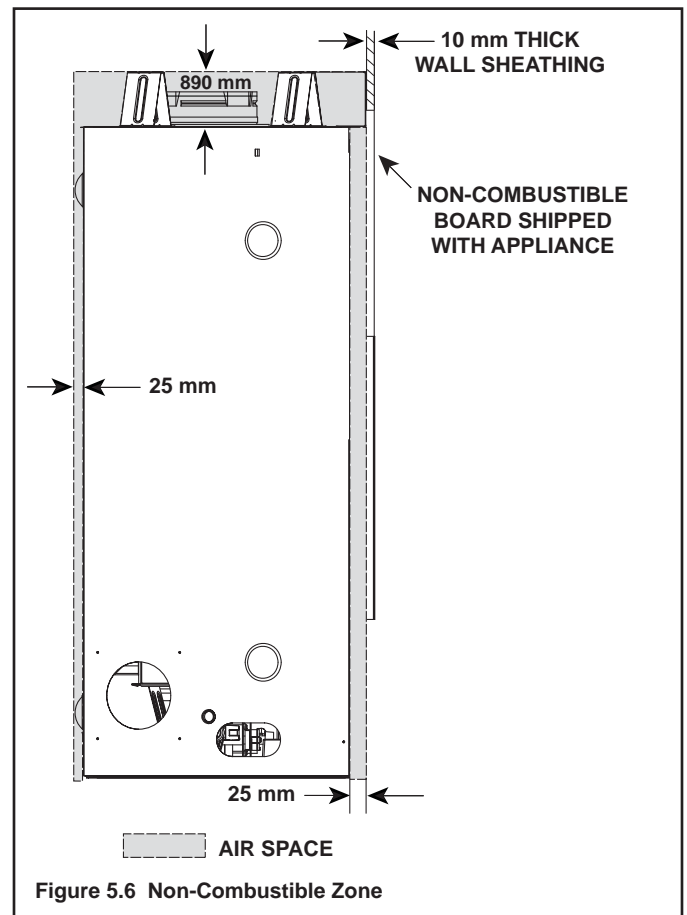
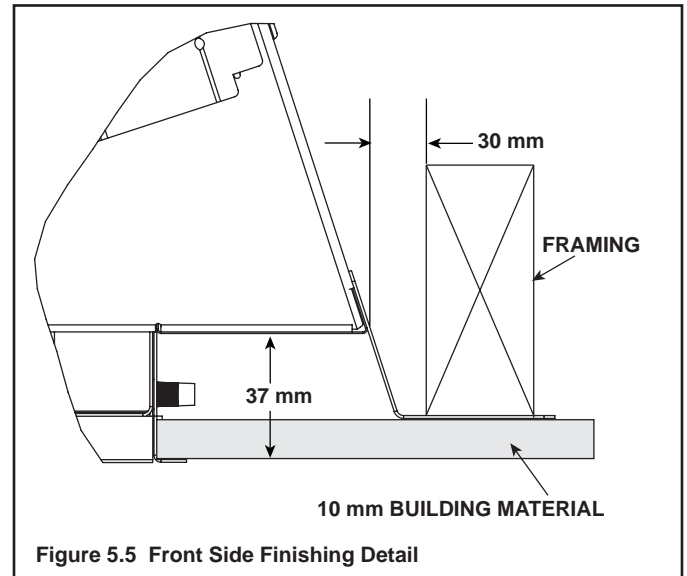


**Note:** For non-combustible fireplace finish material (marble, stone, etc) specifications refer to Section 13.

### Mantel Leg (Combustible/Non-Combustible)



### Front Side Finishing Detail



**Note:** AIR SPACE denoted in Figure 5.6 is defined by the nailing tabs and top metal standoffs.

# 6 Termination Locations

## A. Vent Termination Minimum Clearances

**WARNING**

**Fire Risk.**  
Maintain vent clearance to combustibles as specified.

- **DO NOT** pack air space with insulation or other materials.

Failure to keep insulation or other materials away from vent pipe may cause overheating and fire.

Angle	H (Min.) mm
0°-26.6°	500*
26.6°-30.3°	500*
30.3°-33.7°	500*
33.7°-36.9°	610*
36.9°-39.8°	760
39.8°-42.5°	990
42.5°-45.0°	1220
45.0°-49.4°	1520
49.4°-53.1°	1830
53.1°-56.3°	2130
56.3°-59.0°	2290
59.0°-60.3°	2440

\*910 mm minimum in snow regions

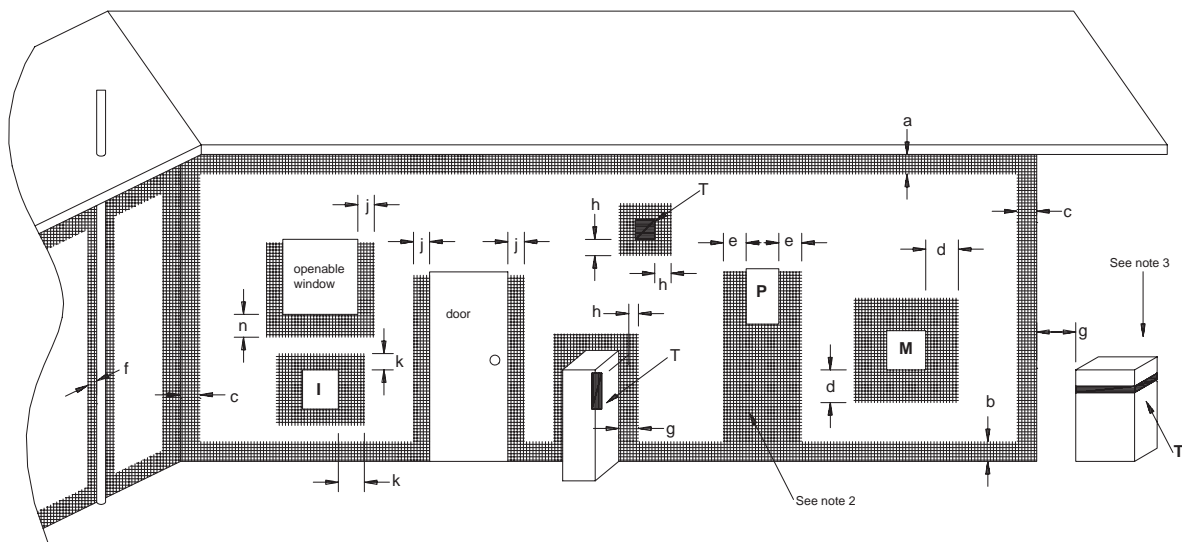
**Figure 6.1 Minimum Height From Roof To Lowest Discharge Opening**

A	B
152 mm (minimum) up to 508 mm.	457 mm minimum
508 mm and over	0 mm minimum

\* If using decorative cap cover(s), this distance may need to be increased. Refer to the installation instructions supplied with the decorative cap cover.

\*\* In a staggered installation with both gas and wood or fuel oil terminations, the wood or fuel oil termination cap must be higher than the gas termination cap.

**Figure 6.2 Staggered Termination Caps**



T = Flue terminal  
 I = Mechanical air inlet  
 M = Gas meter  
 P = Electricity meter or fuse box  
 Shading indicates prohibited areas for flue terminals

- |   |  |                            |
|---|--|----------------------------|
| a | - Below eaves, balconies or other projections:   | <b>MIN. CLEARANCE (mm)</b> |
|   | Appliances up to 50 MJ/h input .....   | 300                        |
|   | Appliances over 50 MJ/h input .....  | 500                        |
| b | - From the ground or above a balcony .....   | 300                        |
| c | - From a return wall or external corner .....  | 500                        |
| d | - From a gas meter (M) .....   | 1000                       |
| e | - From an electricity meter or fuse box (P) .....  | 500                        |
| f | - From a drain or soil pipe .....  | 150                        |
| g | - Horizontally from any building structure (unless appliance approved for closer installation) or obstruction facing a terminal .....                      | 500                        |
| h | - From any other flue terminal, cowl, or combustion air intake .....   | 500                        |
| j | - Horizontally from an openable window, door, non-mechanical air inlet, or any other opening into a building, with the exception of sub-floor ventilation: |                            |
|   | Appliances up to 150 MJ/h input .....  | 500                        |
|   | Appliances over 150 MJ/h input .....   | 1500                       |
| k | - From a mechanical air inlet, including a spa blower .....  | 1500                       |
| n | - Vertically below an openable window, non-mechanical air inlet or any other opening into a building, with the exception of sub-floor ventilation .....    | See table below            |

CLEARANCE 'n' (mm)			
Space Heaters	All other appliances		
Up to 50 MJ/h input	Up to 50 MJ/h input	Over 50 MJ/h input and Up to 150 MJ/h input	Over 50 MJ/h input
150	500	1000	1500

- NOTES:**
- All distances are measured vertically or horizontally along the wall to a point in line with the nearest part of the terminal.
  - Prohibited area below electricity meter or fuse box extends to ground level.
  - See clause 5.13.6.6 for restrictions on a flue terminal under a roofed area.
  - See Appendix J, Figure J1(a) and J2(a) for clearances required from a flue terminal to a LP Gas cylinder. A flue terminal is considered to be a source of ignition.

**MINIMUM CLEARANCES REQUIRED FOR BALANCED FLUE TERMINALS OR THE FLUE TERMINALS OF OUTDOOR APPLIANCES**

**Figure 6.3 Minimum Clearances for Termination**

# 7 Vent Information and Diagrams

## A. Approved Pipe

This appliance is approved for use with Hearth & Home Technologies SLP venting systems. Refer to Section 17.B for vent component information.

**DO NOT** mix pipe, fittings or joining methods from different manufacturers.

The pipe is tested to be run inside an enclosed wall. There is no requirement for inspection openings at each joint within the wall.

**WARNING! Risk of Fire or Asphyxiation.** This appliance requires a separate vent. **DO NOT** vent to a pipe serving a separate solid fuel burning appliance.

**NOTICE:** The SLP-HRC-SS and SLP-HRC-ZC-SS termination caps are NOT approved for use with propane or butane fuel.

## B. Vent Table Key

The abbreviations listed in this vent table key are used in the vent diagrams.

Symbol	Description
V <sub>1</sub>	First section (closest to appliance) of vertical length
V <sub>2</sub>	Second section of vertical length
H <sub>1</sub>	First section (closest to appliance) of horizontal length
H <sub>2</sub>	Subsequent sections of horizontal length

## C. Use of Elbows

Diagonal runs have both vertical and horizontal vent aspects when calculating the effects. Use the rise for the vertical aspect and the run for the horizontal aspect (see Figure 7.1).

Two 45° elbows may be used in place of one 90° elbow. On 45° runs, one foot of diagonal is equal to 216 mm horizontal run and 216 mm vertical run. A length of straight pipe is allowed between two 45° elbows (see Figure 7.1).

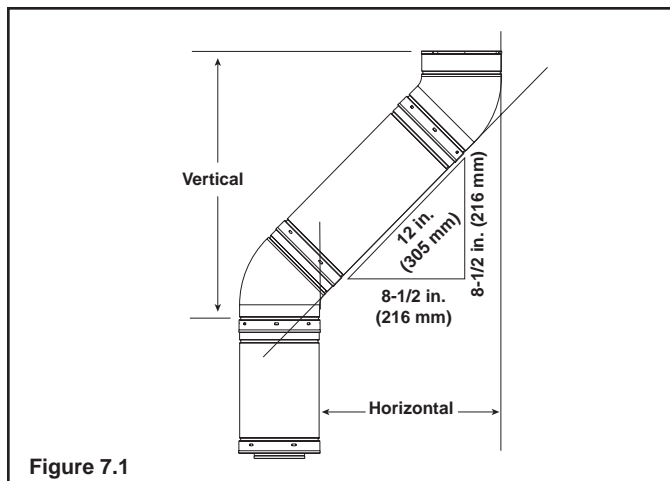


Figure 7.1

## D. Measuring Standards

Vertical and horizontal measurements listed in the vent diagrams were made using the following standards.

- Pipe measurements are shown using the effective length of pipe (see Figure 7.2).
- Measurements are made from the appliance outer wrap, not from the standoffs.
- Horizontal terminations are measured to the outside mounting surface (flange of termination cap).
- Vertical terminations are measured to bottom of termination cap.
- Horizontal pipe installed level with no rise.

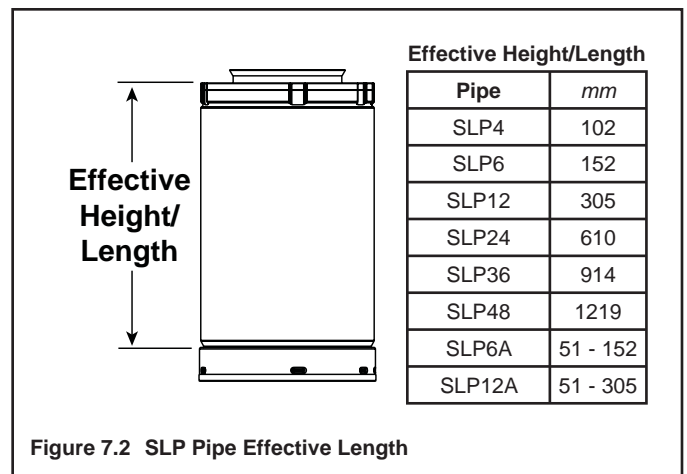


Figure 7.2 SLP Pipe Effective Length

## E. Vent Diagrams

General Rules:

- When penetrating a combustible wall, a wall shield firestop must be installed.
- When penetrating a combustible ceiling, a ceiling firestop must be installed.
- Horizontal runs of vent do not require vertical rise; horizontal runs may be level.

**⚠ WARNING**



Fire Risk. Explosion Risk.  
 Do NOT pack insulation or other combustibles between ceiling firestops.  
 • ALWAYS maintain specified clearances around venting and firestop systems.  
 • Install wall shield and ceiling firestops as specified.  
 Failure to keep insulation or other material away from vent pipe may cause fire.



**Top Vent - Horizontal Termination  
 Venting with 1 elbow**

V Minimum	H <sub>1</sub> Maximum
90 Elbow	457 mm
305 mm (1 ft.)	914 mm (3 ft.)
457 mm (1.5 ft.)	1067 mm (3.5 ft.)
610 mm (2 ft.)	1.52 m (5 ft.)
762 mm (2.5 ft.)	1.85 m (6 ft.)
914 mm (3 ft.)	2.13 m (7 ft.)
1066 mm (3.5 ft.)	3.05 m (10 ft.)
1.2 m (4 ft.)	4.6 m (15 ft.)
H Max. =4.6 m (15 ft.)	
V + H Max. = 12.2 m	

**Note:** Use SLP Series components only.

**Note:** All appliances that will burn butane must have a 10" or 254 mm vertical section of pipe before any other venting.

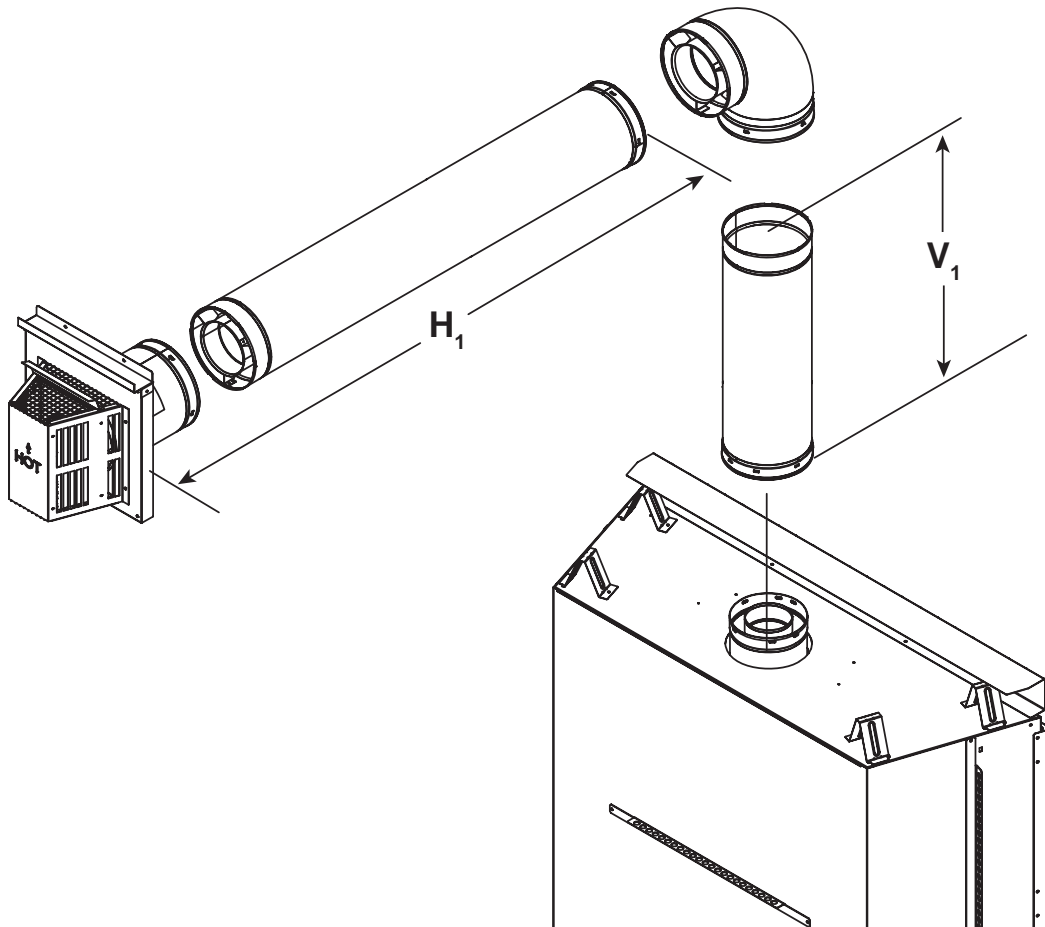


Figure 7.3



# 1. Top Vent - Horizontal Termination - (continued)

## Top Vent - Horizontal Termination Venting with 2 elbows

V Minimum	H <sub>1</sub> + H <sub>2</sub> Maximum
90° Elbow	305 mm (1 ft.)
305 mm (1 ft.)	610 mm (2 ft.)
457 mm (1.5 ft)	914 mm (3 ft.)
610 mm (2 ft.)	1.22 m (4 ft.)
762 mm (2.5 ft)	1.53 m (5 ft.)
914 mm	1.8 m
1066 mm (3.5 ft.)	2.75 m (9 ft.)
1.2 m	4.6 m
H + H <sub>1</sub> Max. = 4.6 m V + H + H <sub>1</sub> Max. = 12.2 m	

**Note:** Use SLP Series components only.

**Note:** All appliances that will burn butane must have a 12" or 305 mm vertical section of pipe before any other venting.

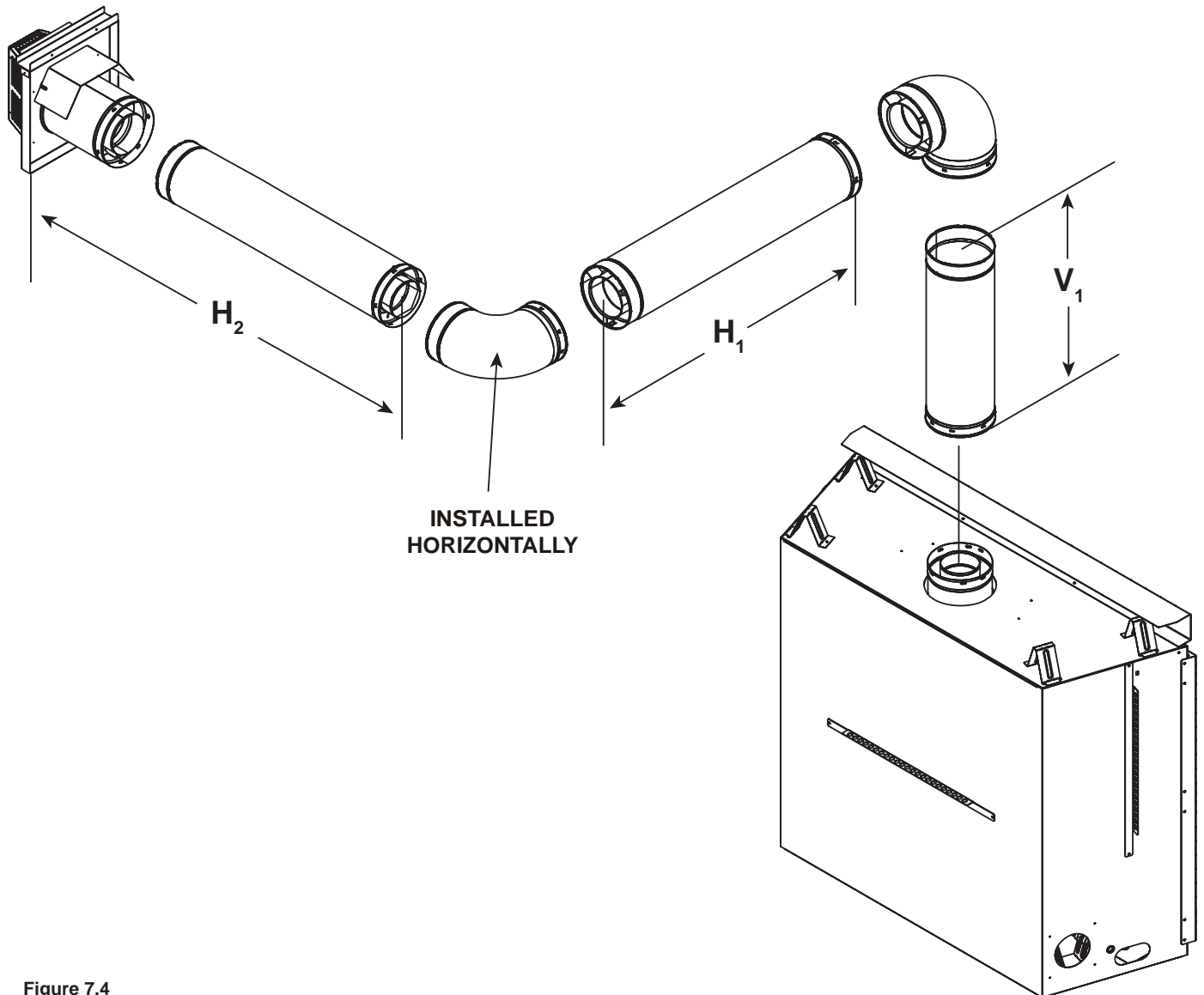
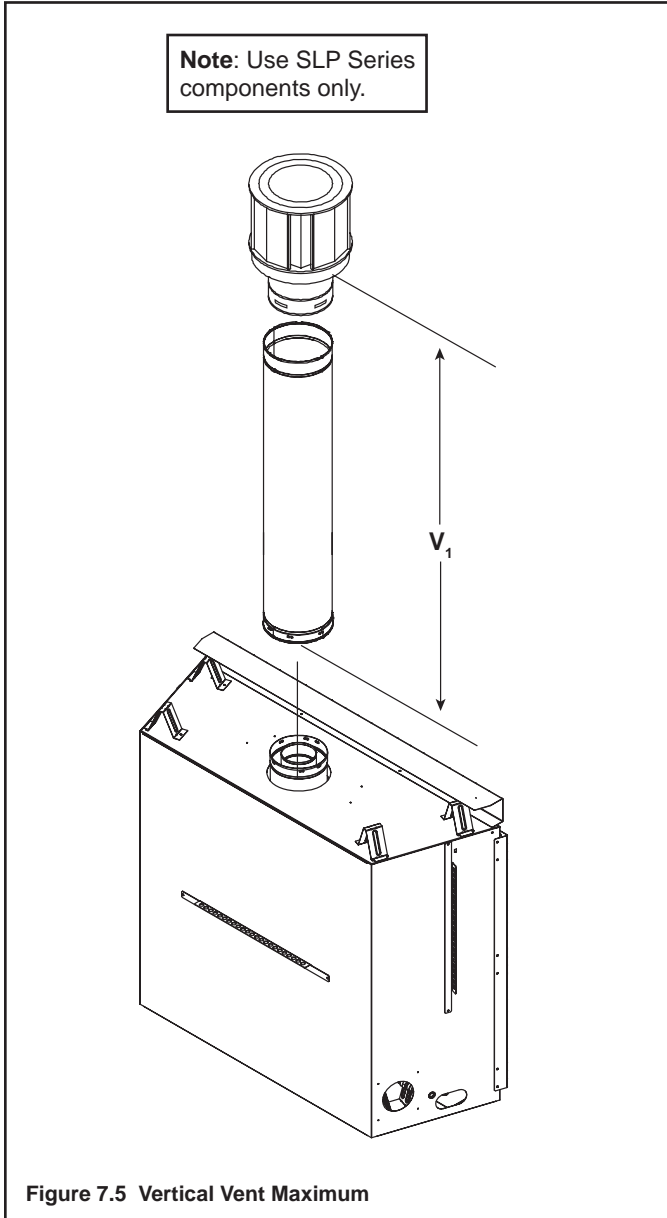


Figure 7.4

## Top Vent - Vertical Termination No Elbows

$V_1$  Max= 13.4 m

**Note:** If installing a vertical vent/termination off the top of the appliance, the optional exhaust restrictor may be needed.



Exhaust restrictors are recommended for these vertically terminated products which have excessive draft. Exhaust restrictors will compensate for high draft, and restore visual flame height. If the vent configuration has a total vertical of 2 m - 13.4 m, an exhaust restrictor may be needed. The exhaust restrictor is located in the appliance manual bag.

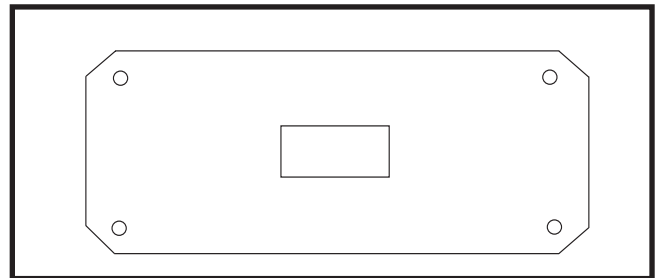
### Exhaust Restrictor Instructions

1. Locate the inner firebox exhaust restrictor. Figure 7.6.
2. Remove restrictor for XLR-LOGS kit.



**Figure 7.6 Standard Restrictor**

3. Replace existing restrictor with small cut-out restrictor in manual bag for installations with more than 2 meters of vertical piping. See Figure 7.7.

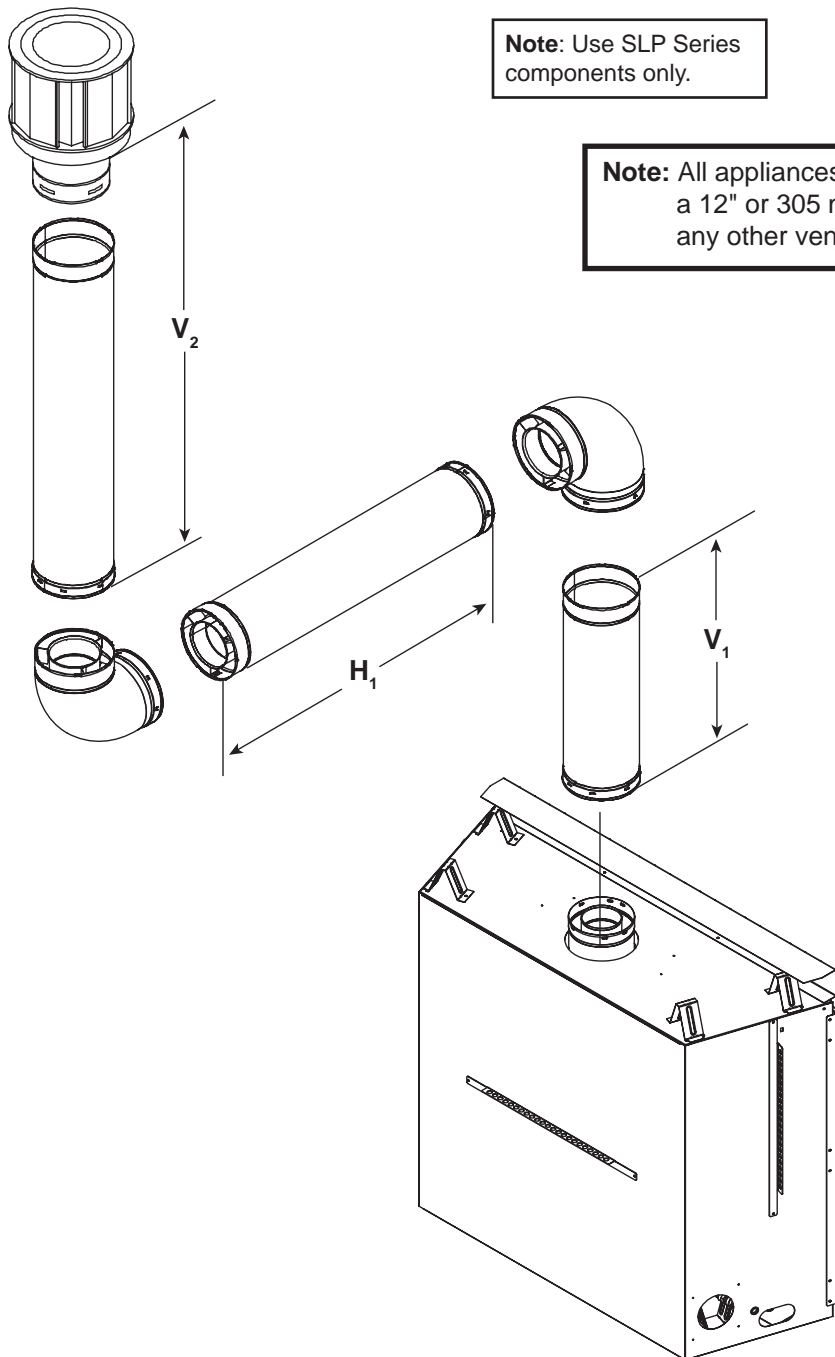


**Figure 7.7 Restrictor with Small Cut-Out**

## Top Vent - Vertical Termination Venting with 2 elbows

V <sub>1</sub> Minimum	H Maximum	V <sub>2</sub>	V <sub>1</sub> + V <sub>2</sub> Minimum
90° Elbow	610 mm	*	*
152 mm	914 mm	*	*
457 mm	1.5 m	*	*
914 mm	2.1 m	*	*
1.1 m	4.6 m	*	*

H Max. = 4.6 m  
 V<sub>1</sub> + V<sub>2</sub> + H Max. = 12.2 m  
 \* No specific restrictions on this value EXCEPT V<sub>1</sub> + V<sub>2</sub> + H cannot exceed 12.2 m



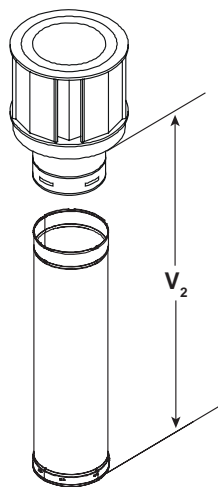
**Note:** Use SLP Series components only.

**Note:** All appliances that will burn butane must have a 12" or 305 mm vertical section of pipe before any other venting.

Figure 7.8

## Top Vent - Vertical Termination Venting with 3 elbows

V <sub>1</sub> Minimum	H <sub>1</sub> + H <sub>2</sub> Maximum	V <sub>2</sub>	V <sub>1</sub> + V <sub>2</sub> Minimum
90° Elbow	305 mm	*	*
305 mm	610 mm	*	*
610 mm	1.2 m	*	*
914 mm	1.8 m	*	*
1.2 m	4.3 m	*	*
H Max. = 4.3 m V <sub>1</sub> + V <sub>2</sub> + H <sub>1</sub> + H <sub>2</sub> Max. = 12.2 m * No specific restrictions on this value EXCEPT V <sub>1</sub> + V <sub>2</sub> + H <sub>1</sub> + H <sub>2</sub> cannot exceed 12.2 m			



**Note:** Use SLP Series components only.

**Note:** All appliances that will burn butane must have a 12" or 305 mm vertical section of pipe before any other venting.

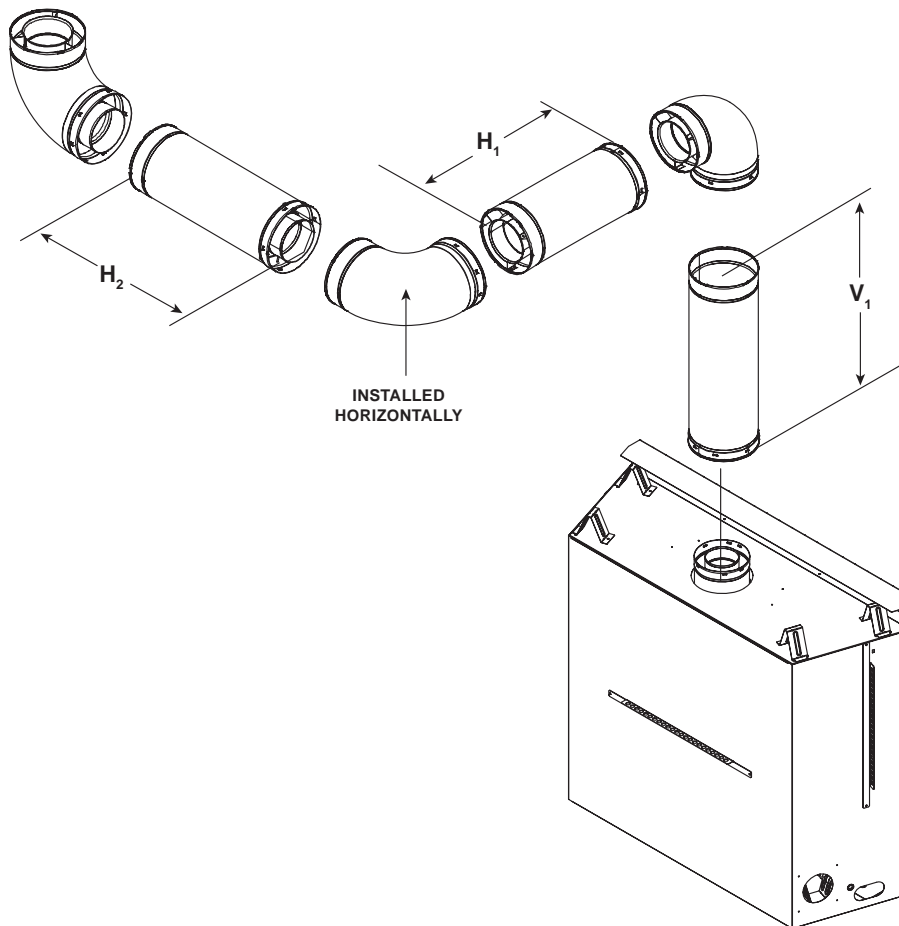


Figure 7.9

# Top Vent - Vertical Termination Venting with 4 elbows

**Note:** Use SLP Series components only.

V <sub>1</sub> Min.	H <sub>1</sub> Max.	V <sub>2</sub> Min.	H <sub>2</sub> Max.	V <sub>3</sub> Min.
457 mm	1.2 m	1.2 m	1.2 m	1.0 m
$V_1 + V_2 + V_3 + H_1 + H_2$ Maximum= 40 ft, (12,2 m)				

**Note:** All appliances that will burn butane must have a 12" or 305 mm vertical section of pipe before any other venting.

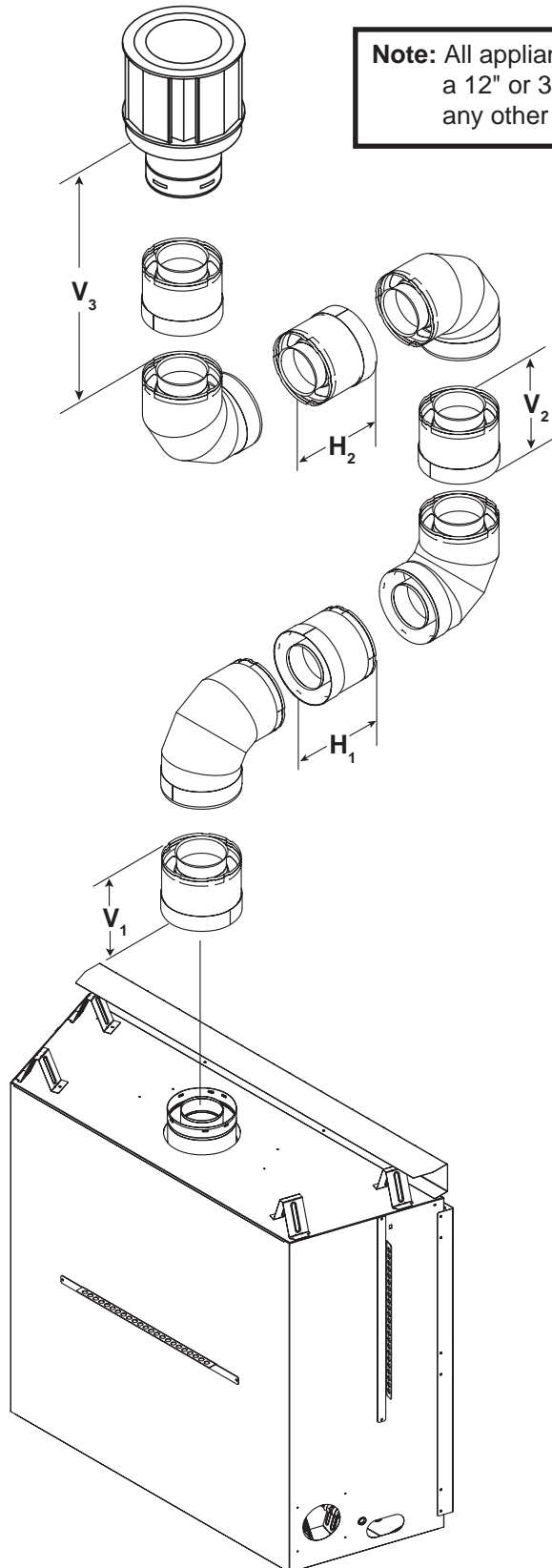


Figure 7.10

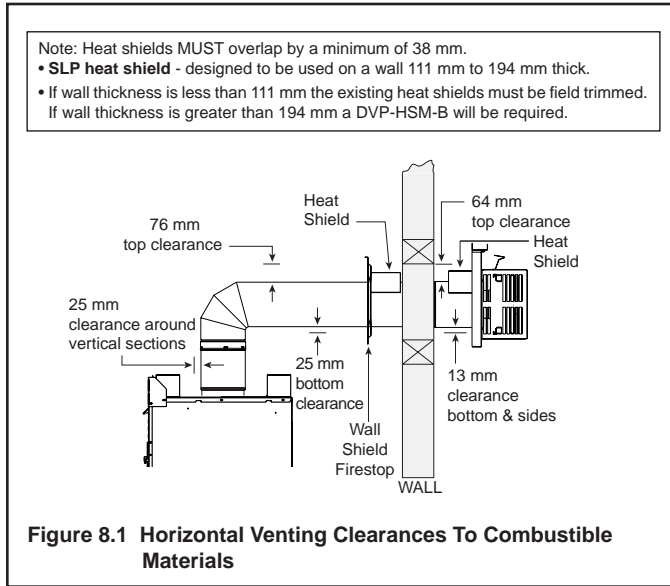
# 8 Vent Clearances and Framing

## A. Pipe Clearances to Combustibles

**WARNING! Risk of Fire!** Maintain air space clearance to vent. **DO NOT** pack insulation or other combustibles:

- Between ceiling firestops
- Between wall shield firestops
- Around vent system

Failure to keep insulation or other material away from vent pipe may cause over heating and fire.



## B. Wall Penetration Framing

### Combustible Wall Penetration

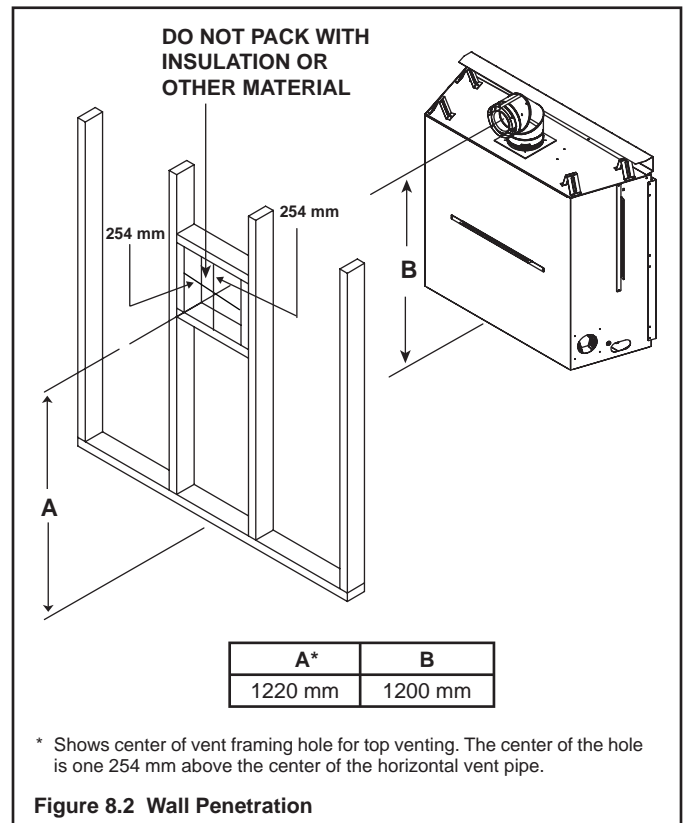
Whenever a combustible wall is penetrated, you must frame a hole for the wall shield firestop(s). The wall shield firestop maintains minimum clearances and prevents cold air infiltration.

- The opening must be framed on all four sides using the same size framing materials as those used in the wall construction.
- SLP pipe - A wall shield firestop must be placed on each side of an interior wall. A minimum 38 mm overlap of attached heat shields must be maintained.
- See Section 10.K. for information for regarding the installation of a horizontal termination cap.

### Non-Combustible Wall Penetration

If the hole being penetrated is surrounded by noncombustible materials such as concrete, a hole with diameter 254 mm greater than the pipe is acceptable.

Whenever a non-combustible wall is penetrated, the wall shield firestop is only required on one side and no heat shield is necessary.



### C. Install the Ceiling Firestop

A ceiling firestop **MUST** be used between floors and attics.

- **SLP pipe only** - Frame opening 229 mm x 229 mm (9 inch x 9 inch) whenever the vent penetrates a ceiling/floor (see Figure 8.3).
- Frame the area with the same sized lumber as used in ceiling/floor joist.
- The ceiling firestop may be installed above or below the ceiling joists when installed with a attic insulation shield. It must be under joists between floors that are not insulated. Refer to Figure 8.4.
- Secure with three fasteners on each side.

**WARNING! Risk of Fire! DO NOT pack insulation around the vent. Insulation must be kept back from the pipe to prevent overheating.**

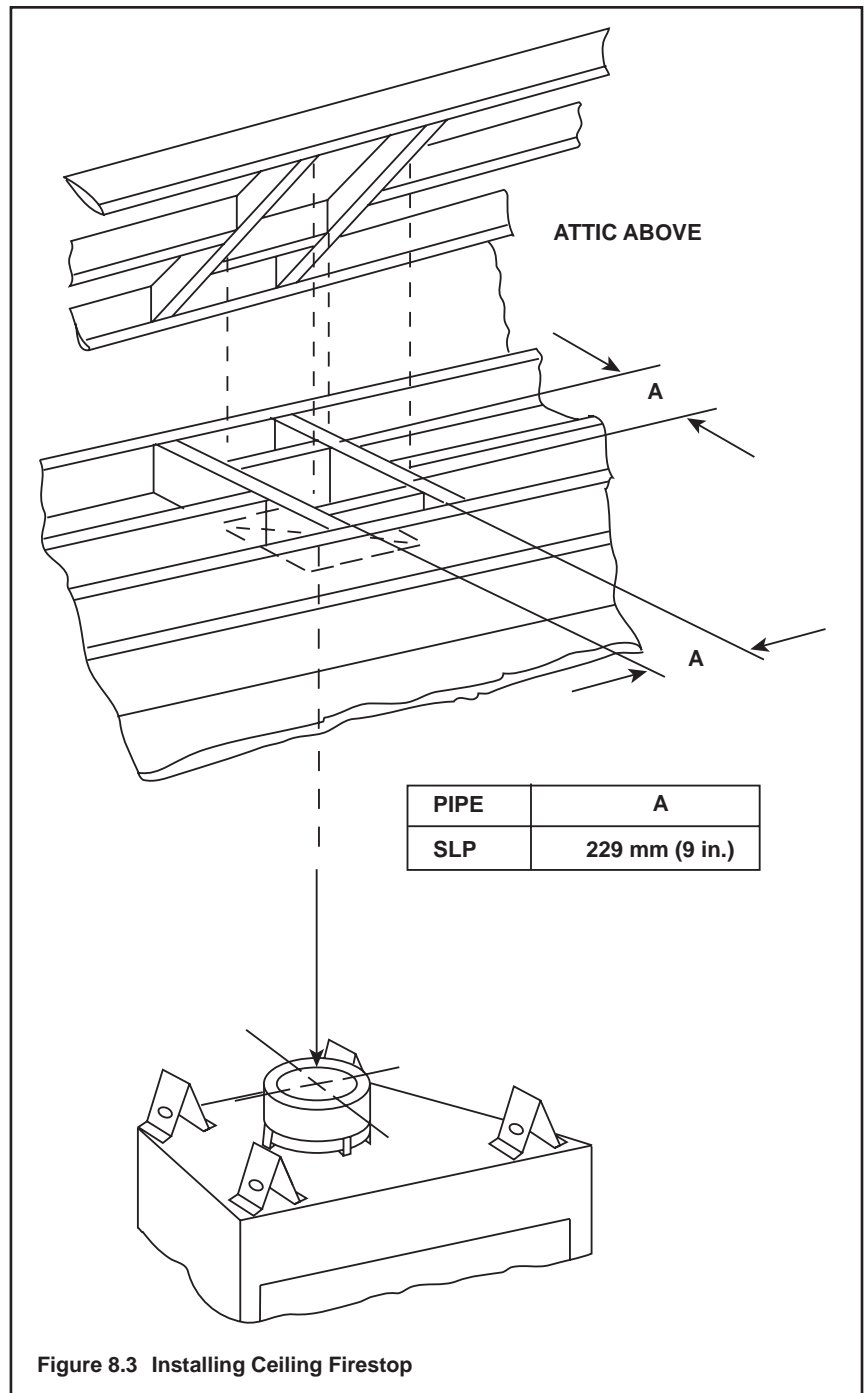


Figure 8.3 Installing Ceiling Firestop

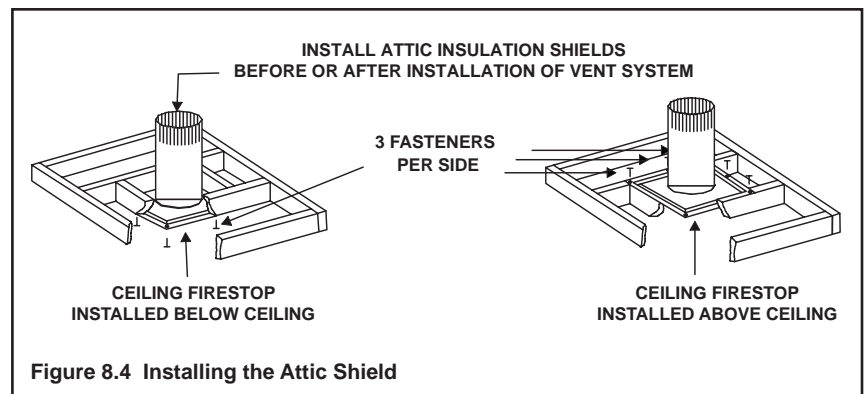


Figure 8.4 Installing the Attic Shield

## D. Install Attic Insulation Shield

**WARNING! Fire Risk. DO NOT** allow loose materials or insulation to touch vent. *Hearth & Home Technologies Inc. requires the use of an attic shield.*

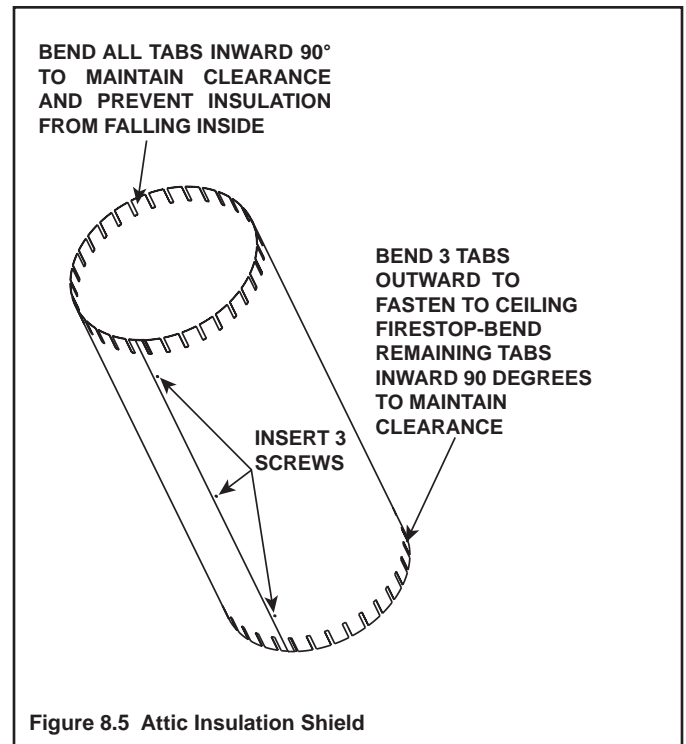
Attic shields must meet specified clearance and be secured in place.

### Flat Ceiling Installation

- Remove one shield from box.

**NOTICE:** *Cut previously installed batt insulation to make room for the attic insulation shield.*

- Wrap shield around pipe if pipe is already installed in area to be insulated.
- Match the three holes in each side and fasten with three screws to form a tube.
- Bend three tabs on the bottom of the shield outward to allow attachment to the ceiling firestop.
- Bend the remaining bottom tabs inward 90° to maintain the air space between the pipe and the shield. Set the shield on the ceiling firestop and attach to the firestop.
- Bend all tabs inward 90° around the top of the shield. These tabs must be used to prevent blown insulation from getting between the shield and vent pipe, and to maintain air space clearance.



### Vaulted Ceiling Installation

- Remove one shield from box.

**NOTICE:** *Cut previously installed batt insulation to make room for the attic insulation shield.*

- Cut the attic insulation shield (if application is for vaulted ceiling) to fit your ceiling pitch. Snip cut edge to recreate 1 in. bend tabs all the way around the bottom.
- Wrap shield around pipe if pipe is already installed in area to be insulated.
- Match the three holes in each side and fasten with three screws to form a tube.
- Bend three tabs on the bottom of the shield outward to allow attachment to the ceiling firestop.
- Bend the remaining bottom tabs inward 90° to maintain the air space between the pipe and the shield. Set the shield on the ceiling firestop and attach to the firestop.
- Bend all tabs inward 90° around the top of the shield. These tabs must be used to prevent blown insulation from getting between the shield and vent pipe, and to maintain air space clearance.



# 9 Appliance Preparation

## A. Top Vent

**CAUTION! Risk of Cuts, Abrasions or Flying Debris.**  
Wear protective gloves and safety glasses during installation. Sheet metal edges are sharp.

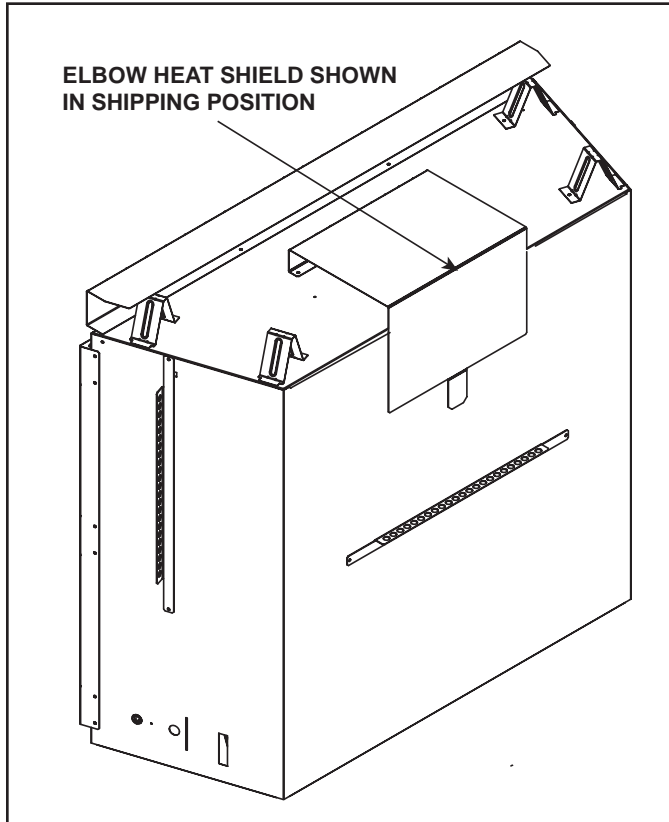


Figure 9.1 Elbow Shield Shown as Shipped

If venting with a 90 degree elbow directly off of the top of the appliance, the elbow heat shield must be repositioned as shown in Figure 9.2.

If venting vertically or using a straight section of vertical pipe, remove the elbow heat shield and discard by removing the two screws that secure the elbow heat shield to the top of the fireplace.

For all venting applications, ensure that the pipe gasket is in place before attaching any pipe section. This gasket is shipped in place around the starting collar. See Figure 9.2.

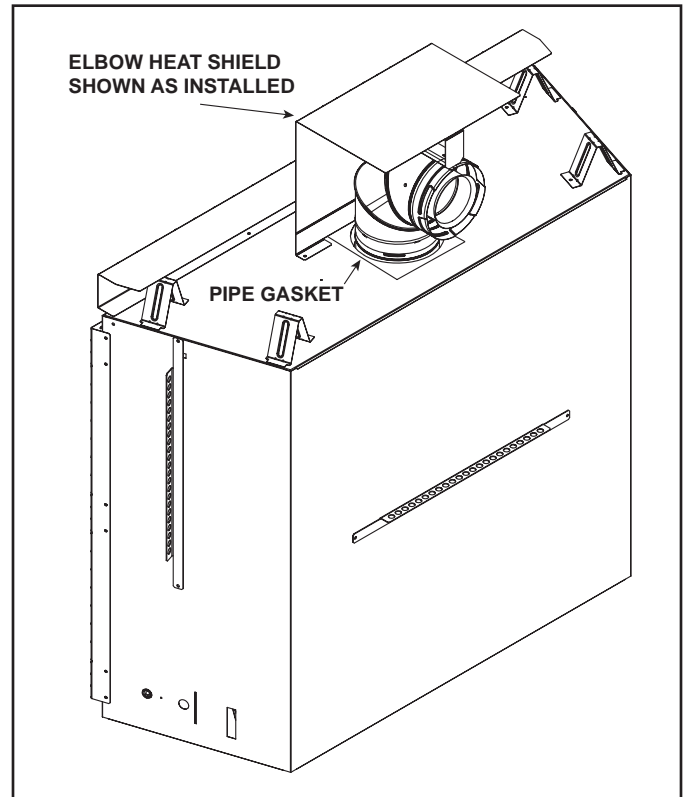


Figure 9.2 Elbow Shield Shown Installed

## B. Securing and Leveling the Appliance

**WARNING! Risk of Fire!** Prevent contact with:

- Sagging or loose insulation
- Insulation backing or plastic
- Framing and other combustible materials

Block openings into the chase to prevent entry of blown-in insulation. Make sure insulation and other materials are secured.

**DO NOT** notch the framing around the appliance standoffs. Failure to maintain air space clearance may cause overheating and fire.

For details on setting the appliance in the framing, refer to section 13.A. The diagram shows how to properly position, level, and secure the appliance (see Figure 9.3). Nailing tabs are provided to secure the appliance to the framing members.

- Bend out nailing tabs on each side.
- Place the appliance into position.
- Keep nailing tabs flush with the framing.
- Level the appliance from side to side and front to back.
- Shim the appliance as necessary. It is acceptable to use wood shims underneath the appliance.
- Secure the appliance to the framing by using nails or screws through the nailing tabs.
- Secure the appliance to the floor by inserting two screws through the pilot holes at the bottom of the appliance.

Figure 9.3 shows the fireplace installed on the floor. However, this fireplace can be elevated off the floor provided that the fireplace is properly supported by framing materials and the ceiling clearances are maintained.

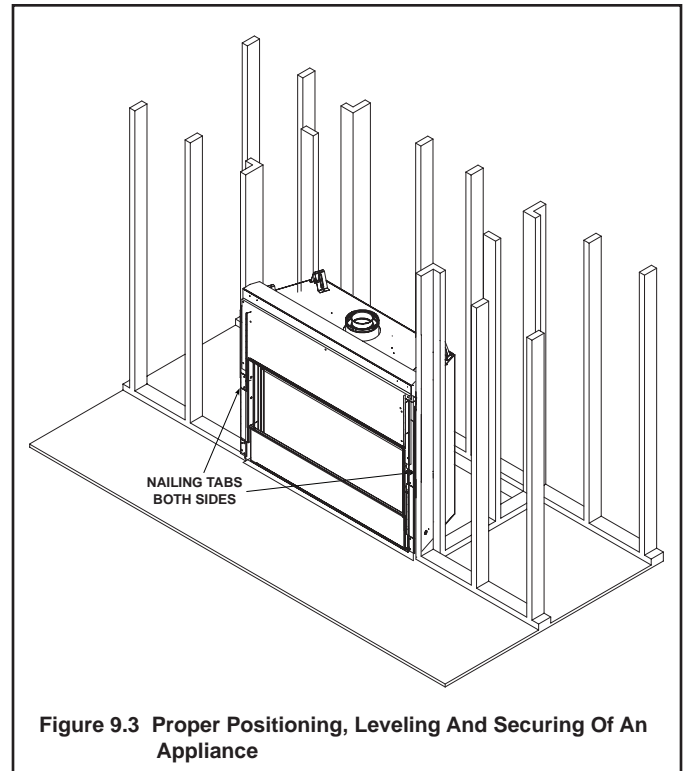


Figure 9.3 Proper Positioning, Leveling And Securing Of An Appliance

## C. Installing the Optional Heat-Zone-240V Kit

- Remove the cover plate from the fireplace and discard it.
- Center the duct collar around the exposed hole and attach it to the fireplace with 3 screws. Note: Do this BEFORE final positioning of fireplace.
- Determine the location for the air register/fan housing assembly.

Reference the Heat-Zone-240V Kit instructions for the remaining installation steps.

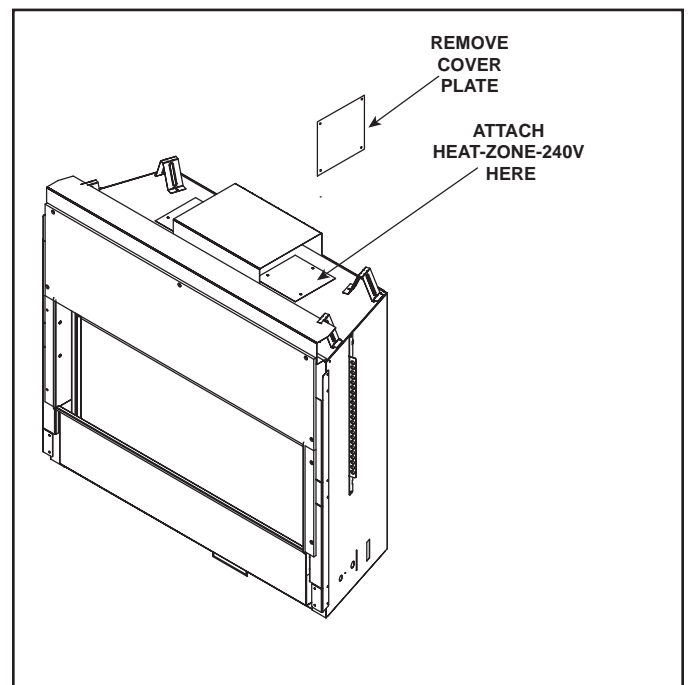


Figure 9.4 Remove Cover Plate

# 10 Installing Vent Pipe (SLP Pipe)

## A. Assemble Vent Sections

To attach the first vent component to the starting collars of the appliance:

- Lock the vent components into place by sliding the pipe section onto the collar.
- Align the seam of the pipe and seam of collar to allow engagement. Rotate the vent component to lock into place. Use this procedure for all vent components. See Figure 10.1.
- Slide the gasket over the first vent section and place it flush to the appliance. This will prevent cold air infiltration. High temperature caulk may be used to hold the part in place.
- Continue adding vent components, locking each succeeding component into place.
- Ensure that each succeeding vent component is securely fitted and locked into the preceding component.

### Commercial, Multi-family (Multi-level exceeding two stories), or High-Rise Applications

For Installation into a commercial, multi-family (multi-level exceeding two stories) or high-rise applications: All outer pipe joints must be sealed with high temperature silicone, including the slip section that connects directly to the horizontal termination cap.

- Apply a bead of silicone sealant inside the female outer pipe joint prior to joining sections. See Figure 10.2.
- Only outer pipes need to be sealed. All unit collar, pipe, slip section, elbow and cap outer flues shall be sealed in this manner, unless otherwise stated.

**WARNING! Risk of Fire or Explosion! DO NOT break silicone seals on slip sections. Use care when removing termination cap from slip pipe. If slip section seals are broken during removal of the termination cap, vent may leak.**

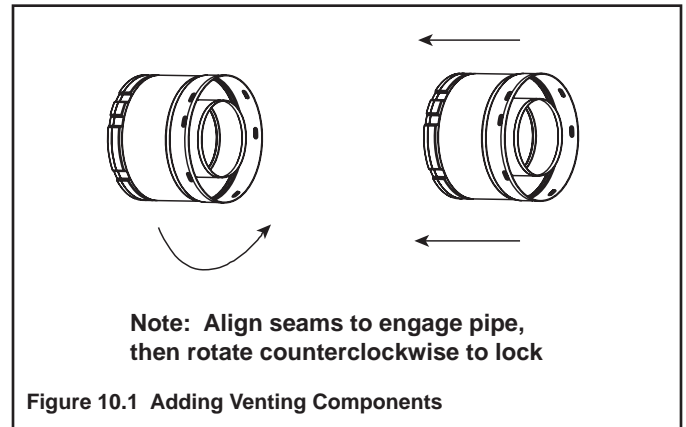


Figure 10.2 High Temperature Silicone Sealant

## B. Assemble Slip Sections

- Slide the inner flue of the slip section into the inner flue of the pipe section and the outer flue of the slip section over the outer flue of the pipe section. See Figure 10.3.
- Slide together to the desired length.

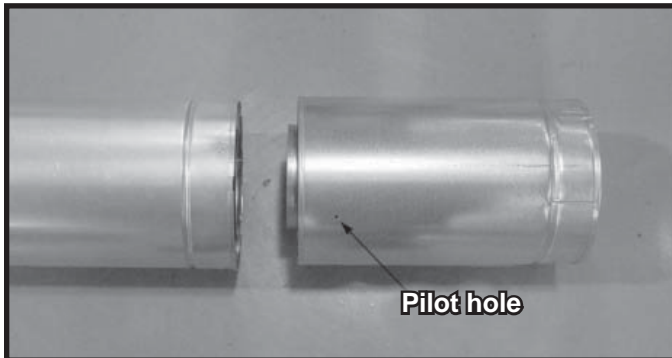


Figure 10.3 Slip Section Pilot Holes

- Maintain a 38 mm overlap between the slip section and the pipe section.
- Secure the pipe and slip section with two screws no longer than 13 mm, using the pilot holes in the slip section. See Figure 10.4.

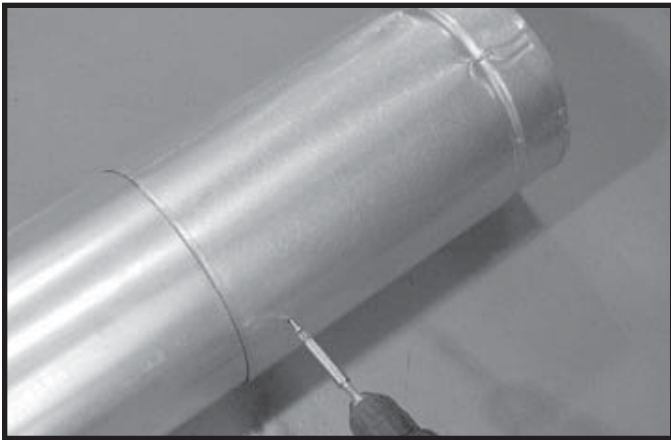


Figure 10.4 Screws into Slip Section

- Continue adding pipe as necessary following instructions in “Assembling Pipe Sections.”

**NOTICE:** If slip section is too long, the inner and outer flues of the slip section can be cut to the desired length.

**NOTICE:** When installing a vent system with an HRC termination cap, all pipe system joints shall be sealed using a high temperature silicone sealant.

- Apply a bead of silicone sealant inside the female outer pipe joint prior to joining sections.
- Only outer pipes are sealed, sealing the inner flue is not required.
- All unit collar, pipe, slip section, elbow and cap outer flues shall be sealed.

## C. Secure The Vent Sections

- Vertical runs of pipe must be supported every 2.44 m.
- Horizontal sections must be supported every 1.52 m.
- Vent supports or plumbers strap (spaced 120° apart) may be used to support. See Figures 10.5 and 10.6.
- Wall shield firestops may be used to provide horizontal support.
- Ceiling firestops have tabs that may be used to provide vertical support.

**WARNING! Risk of Fire, Explosion or Asphyxiation!** Improper support may allow vent to sag and separate. Use vent run supports and connect vent sections per installation instructions. **DO NOT** allow vent to sag below connection point to appliance.

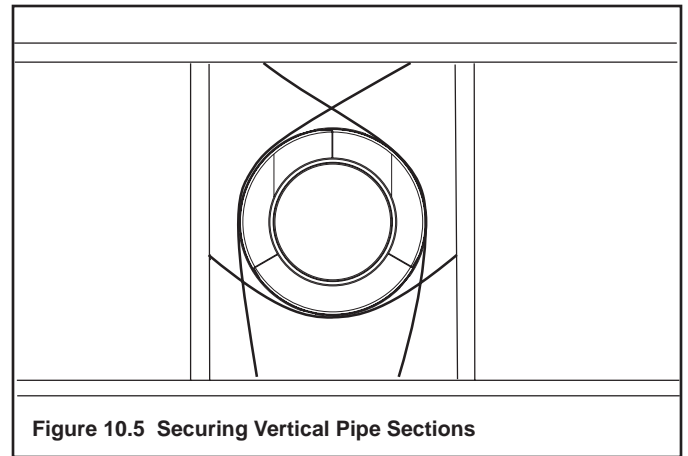


Figure 10.5 Securing Vertical Pipe Sections

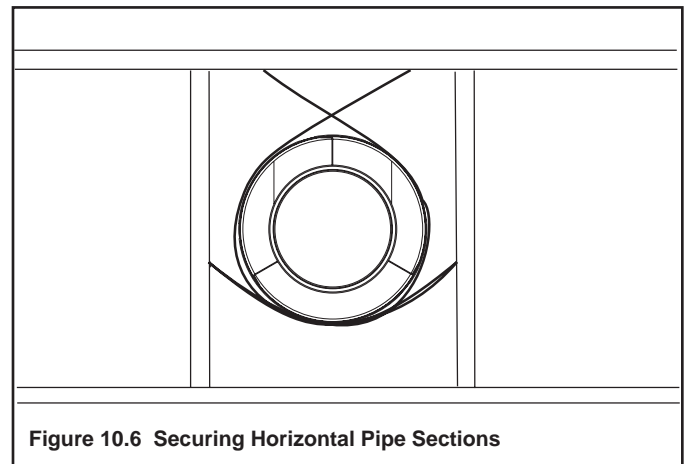


Figure 10.6 Securing Horizontal Pipe Sections

## D. Disassemble Vent Sections

- Rotate either section (see Figure 10.7) so the seams on both pipe sections are aligned as shown in Figure 10.8.
- Pull carefully to separate the pieces of pipe.

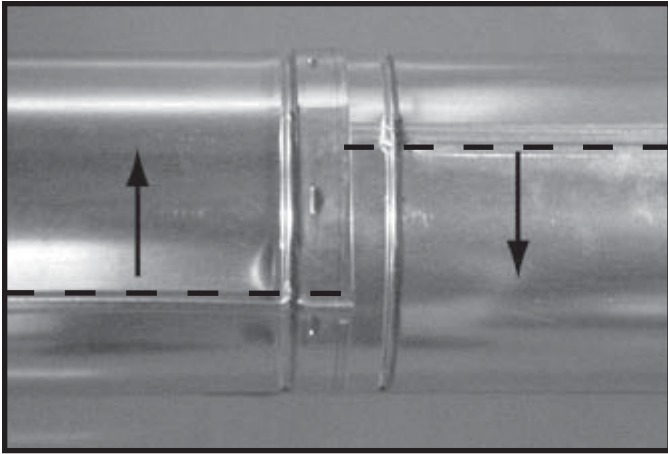


Figure 10.7 Rotate Seams for Disassembly

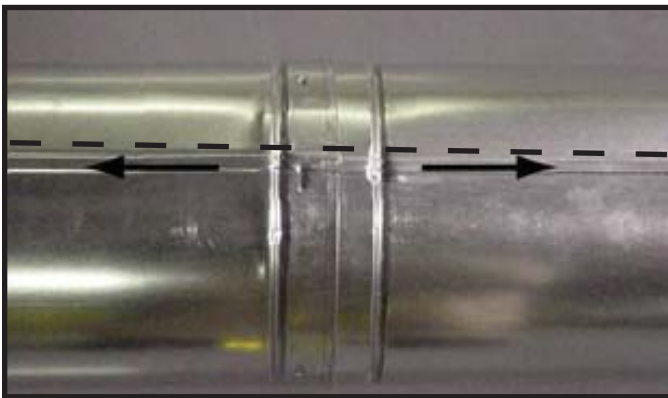


Figure 10.8 Align and Disassemble Vent Sections

## E. Install Decorative Ceiling Components

A decorative ceiling thimble can be installed on a flat ceiling through which the vent passes. The decorative ceiling thimble is used to cover the firestop.

- Seal the gap between the vent pipe and firestop using high temperature silicone to prevent cold air infiltration.
- Install the decorative ceiling thimble by sliding it up to the ceiling and attaching it using the provided screws.

A decorative cathedral ceiling support box can be installed on a cathedral ceiling through which the vent passes.

- Use a plumb-bob to mark the center line of the venting system on the ceiling and drill a small hole through the ceiling and roof at this point. Locate the hole and mark the outline of the cathedral ceiling support box on the outside roof.
- Remove shingles or other roof covering as necessary to cut the rectangular hole for the support box. Cut the hole 3 mm larger than the support box outline.
- Lower the support box through the hole in the roof until its bottom is at least 51 mm below the ceiling (Figure 10.9).

- Level the support box both vertically and horizontally and temporarily tack it in place through the inside walls into the roof sheathing.
- Use tin snips to cut the support box from the top corners down to the roof line and fold the resulting flaps to the roof. See Figure 10.10.
- Nail the flaps to the roof AFTER running a bead of non hardening sealant between the flaps and the roof.

**WARNING! Risk of Fire!** Clean out ALL materials from inside the support box and complete the vertical vent run and termination.

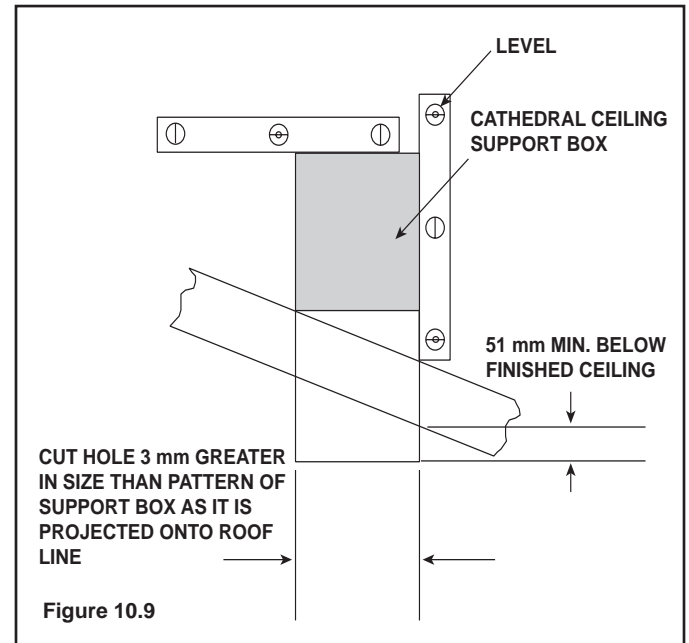


Figure 10.9

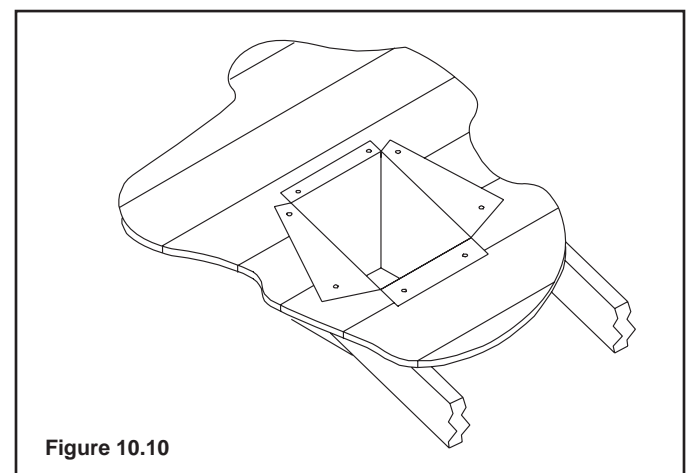
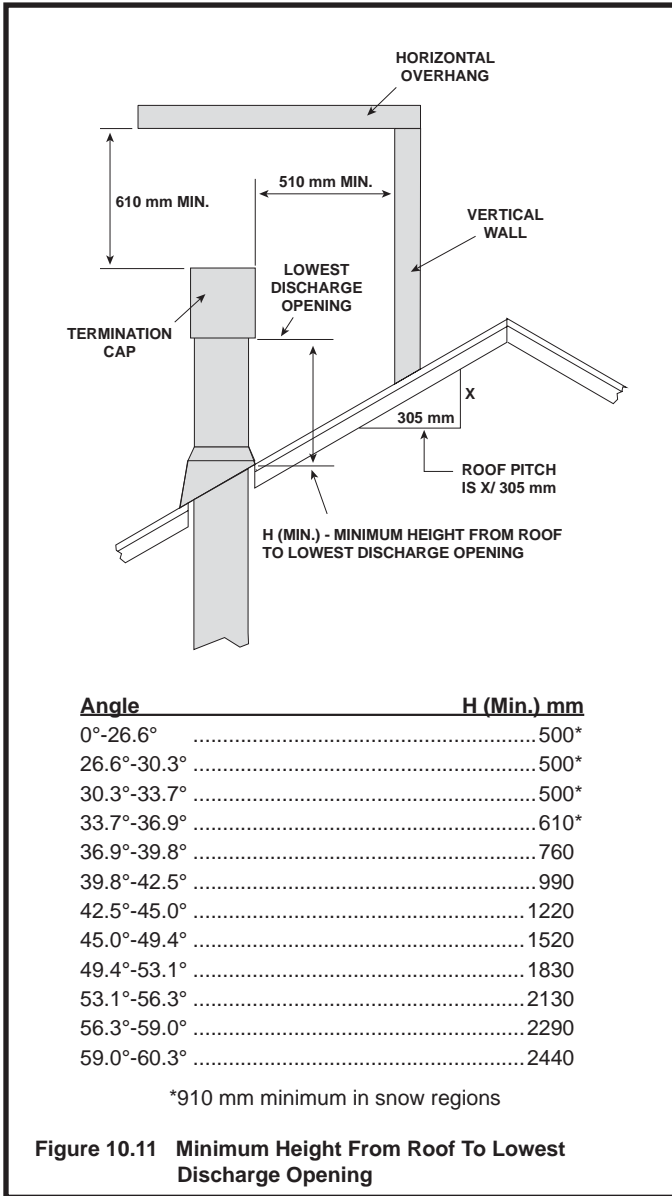


Figure 10.10

## F. Install Metal Roof Flashing

- See minimum vent heights for various pitched roofs (Figure 10.11) to determine the length of pipe to extend through the roof.
- Slide the roof flashing over the pipe sections extending through the roof as shown in Figure 10.12.



**NOTICE:** Failure to properly caulk the roof flashing and pipe seams could cause water entry.

- Caulk the gap between the roof flashing and the outside diameter of the pipe.
- Caulk the perimeter of the flashing where it contacts the roof surface. See Figure 10.12.
- Caulk the overlap seam of any exposed pipe sections that are located above the roof line.

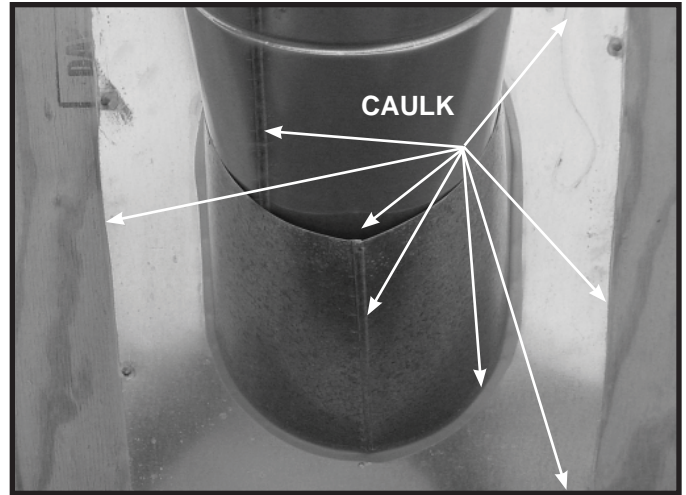


Figure 10.12

## G. Assemble and Install Storm Collar

**CAUTION! Risk of Cuts, Abrasions or Flying Debris.** Wear protective gloves and safety glasses during installation. Sheet metal edges are sharp.

- Connect both halves of the storm collar with two screws (see Figure 10.13).
- Wrap the storm collar around the exposed pipe section closest to the roof and align brackets. Insert a bolt (provided) through the brackets and tighten the nut to complete the storm collar assembly. Make sure the collar is tight against the pipe section.
- Slide the assembled storm collar down the pipe section until it rests on the roof flashing (see Figure 10.14).
- Caulk around the top of the storm collar (see Figure 10.15).

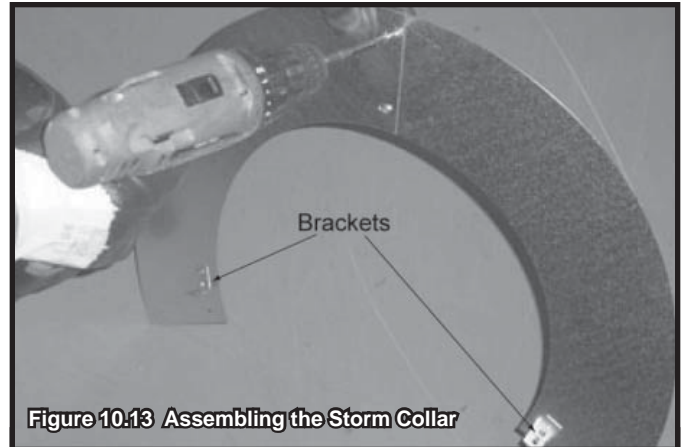


Figure 10.13 Assembling the Storm Collar



Figure 10.14 Assembling the Storm Collar Around the Pipe

## H. Install Vertical Termination Cap

- Attach the vertical termination cap by sliding the inner collar of the cap into the inner flue of the pipe section while placing the outer collar of the cap over the outer flue of the pipe section.
- Secure the cap by driving three self-tapping screws (supplied) through the pilot holes in the outer collar of the cap into the outer flue of the pipe (see Figure 10.15).

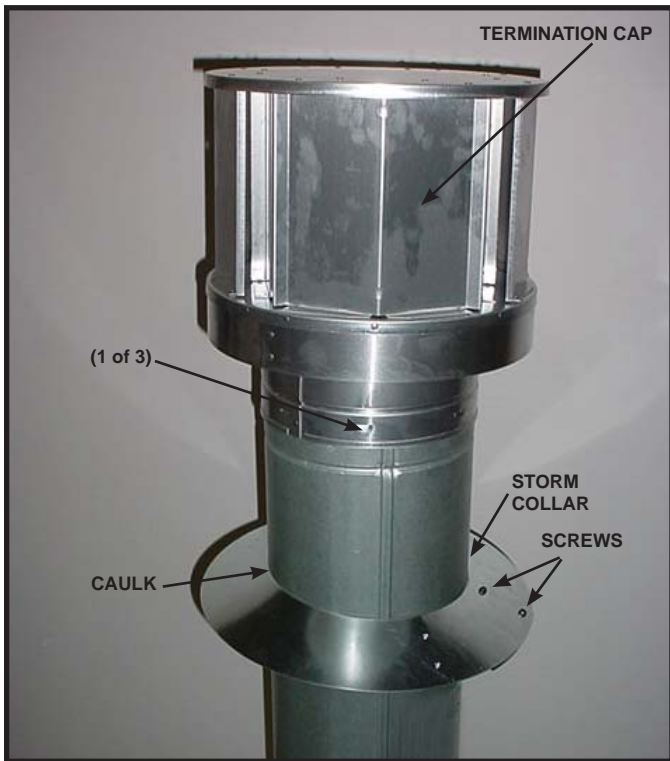


Figure 10.15

## I. Install Decorative Wall Components

A decorative wall thimble can be installed on wall through which the vent passes. The decorative wall thimble is used to cover the firestop.

- Slide the decorative wall thimble over the last section of horizontal pipe before connecting the termination cap to the pipe.
- Once the pipe section and the termination cap have been connected, slide the wall thimble up to the interior wall surface and attach with screws provided. See Figure 10.16.

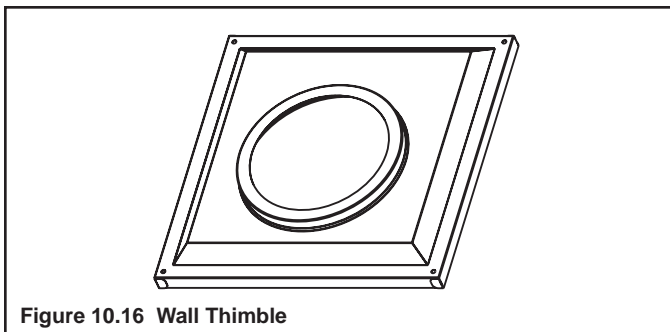


Figure 10.16 Wall Thimble

## J. Heat Shield Requirements for Horizontal Termination

**WARNING! Risk of Fire!** To prevent overheating and fire, heat shields must extend through the entire wall thickness.

- **DO NOT** remove the heat shields attached to the wall shield firestop and the horizontal termination cap (shown in Figure 10.17).
- Heat shields must overlap 38 mm minimum.

There are two sections of the heat shield. One section is factory-attached to the wall shield firestop. The other section is factory-attached to the cap. See Figure 10.17.

If the wall thickness does not allow the required 38 mm heat shield overlap when installed, an extended heat shield must be used.

- If the wall thickness is less than 111 mm (SLP), the heat shields on the cap and wall shield firestop must be trimmed. A minimum 38 mm overlap **MUST** be maintained.
- Use an extended heat shield if the finished wall thickness is greater than 184 mm.
- The extended heat shield may need to be cut to length maintaining sufficient length for a 38 mm overlap between heat shields.
- Attach the extended heat shield to either of the existing heat shields using the screws supplied with the extended heat shield. Refer to vent components diagrams in the back of this manual.
- Rest the small leg on the extended heat shield on top of the pipe section to properly space it from the pipe section.

**Important Notice:** Heat shields may not be field constructed.

## K. Install Horizontal Termination Cap

**WARNING! Risk of Fire!** The telescoping flue section of the termination cap **MUST** be used when connecting vent.

- 38 mm minimum overlap of flue telescoping section is required.

Failure to maintain overlap may cause overheating and fire.

- Vent termination must not be recessed in the wall. Siding may be brought to the edge of the cap base.
- Flash and seal as appropriate for siding material at outside edges of cap.
- When installing a horizontal termination cap, follow the cap location guidelines as prescribed by current local or national codes and refer to Section 6 of this manual.

**CAUTION! Risk of Burns!** Local codes may require installation of a cap shield to prevent anything or anyone from touching the hot cap.

**Note:** When using termination caps with factory-supplied heat shield attached, no additional wall shield firestop is required on the exterior side of a combustible wall.

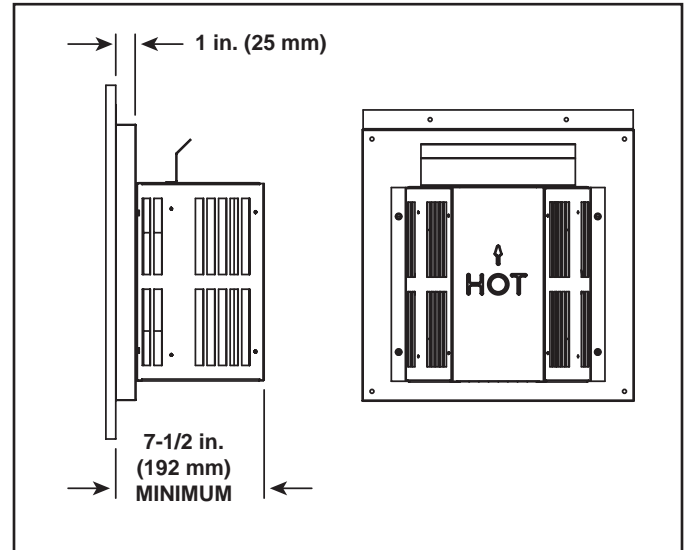


Figure 10.18 Termination Cap

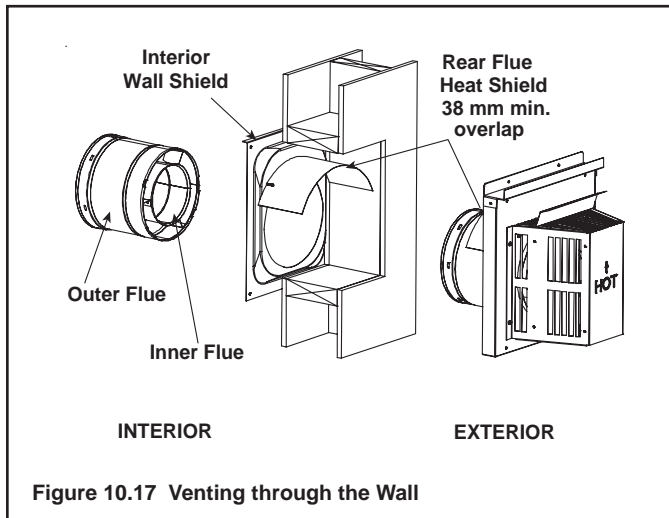


Figure 10.17 Venting through the Wall

- The termination kit should pass through the wall firestops from the exterior of the building.
- Adjust the termination cap to its final exterior position on the building and interlock the flue sections.

**WARNING! Risk of Fire!** the termination cap must be positioned so that the arrow is pointing up.

- Use a high-temperature sealant gasket to seal between the pipe and exterior firestop.



# 11 Gas Information

## A. Gas Pressure Requirements

Pressure requirements for XLR-PLUS-AU fireplaces are shown in Table 11.1 below.

Two taps are provided on the front face of the gas control for a test gauge connection to measure the inlet and outlet pressures. See Figure 11.1.

The fireplace and its individual shut-off valve must be disconnected from the gas supply piping system during any pressure testing of the system at test pressures in excess of 3.4 kPa.

If the fireplace must be isolated from the gas supply piping system by closing an individual shut-off valve, it must be of the handle-less type.

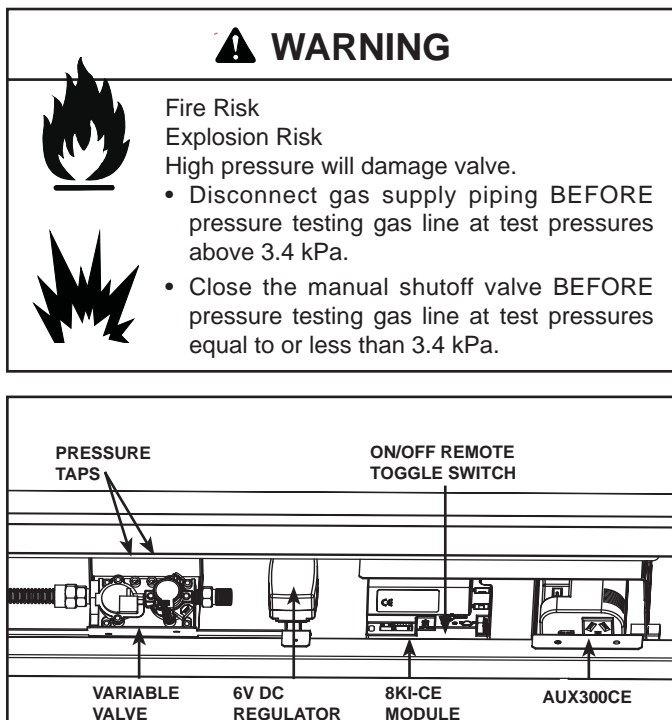


Figure 11.1. Valve Components

	Natural Gas	Propane	Butane
Inlet Pressure	1.13 kPa	2.75 kPa	2.75 kPa
Outlet Gas Pressure	0.80 kPa	2.40 kPa	2.40 kPa
Gas Rate	.405 m <sup>3</sup> /h	.134 m <sup>3</sup> /h	.111 m <sup>3</sup> /h
Maximum Gas Consumption	26 MJ/h	26.0 MJ/h	22 MJ/h
Burner Injector	DMS 42 (2.350 mm)	DMS .057 (1.450 mm)	DMS 55 (1.325)
Pilot Injector	Ø .023 (.584 mm)	Ø .014 (.356 mm)	Ø .010 (.254 mm)

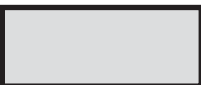
 Columns highlighted in gray = The gas control valve supplied with this product is approved for a maximum inlet pressure of 3.4 kPa. For pressures over 3.4 kPa, an in line pressure regulator must be installed upstream from the gas control valve.

Table 11.1

## B. Gas Connection

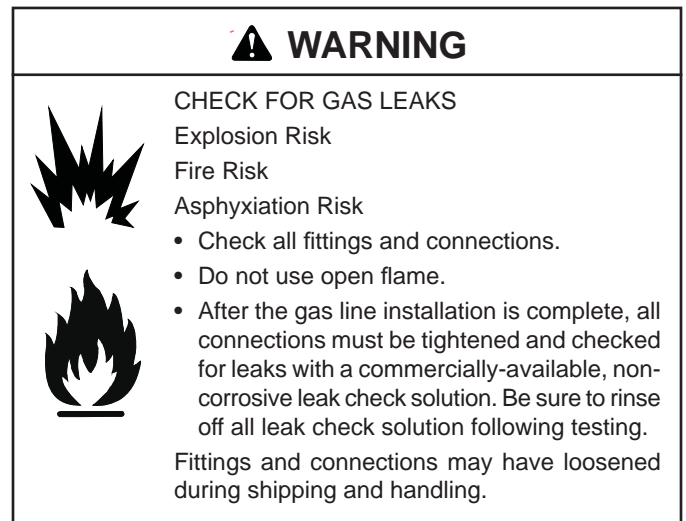
**Note:** Have the gas supply line installed in accordance with local building codes by a qualified installer approved and/or licensed as required by the locality.

**Note:** Before the first firing of the appliance, the gas supply line should be purged of any trapped air.

**Note:** Consult local building regulations to properly size the gas supply line leading to the (Rp 1/2 in.) hook-up at the unit.

Incoming gas line should be piped into the valve compartment and connected to the ISO 7-Rp 1/2 (BSP Rp 1/2) threaded gas inlet connection on the manual shutoff valve.

Leak test all gas line points and the gas control valve prior to and after starting the gas appliance.



## Access Through the Valve Assembly

The lower access cover panel is removable if finishing material has not been previously installed.

Remove Media Tray, Burner Assembly, and Base pan.

To access components:

1. Remove eleven screws around perimeter of valve plate and one on the valve bracket that secure valve plate to the firebox bottom. See Figure 11.2.
2. Lift the valve plate from the back so that the gas valve can clear the valve plate hole in the bottom the firebox. See Figure 11.3.



Figure 11.2. Remove Valve Plate Screws

3. Set the valve bracket on the front lip of the firebox bottom. Turn “off” the ball valve. Disconnect gas valve from the gas flex ball valve assembly at the pressure fitting. See Figure 11.4.



Figure 11.3. Remove Valve Plate

4. Lift the valve assembly up and out to make necessary service or repair.

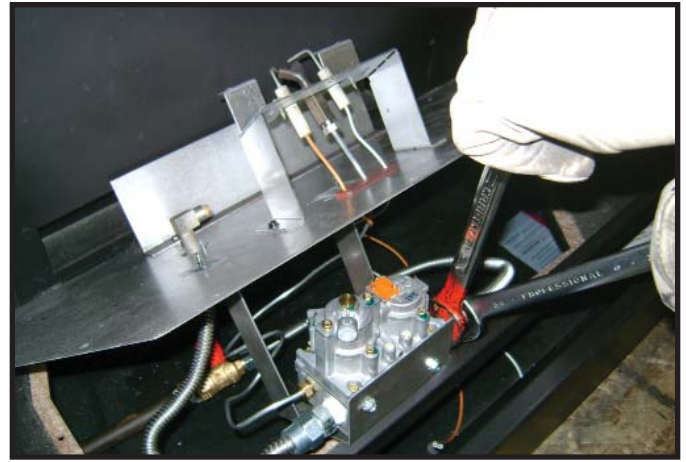


Figure 11.4. Disconnect Gas Valve

## Valve Pressure Taps

The pressure taps are available through the front of the appliance. The decorative mesh front and fireplace gas assembly must be removed to gain access to the pressure taps.

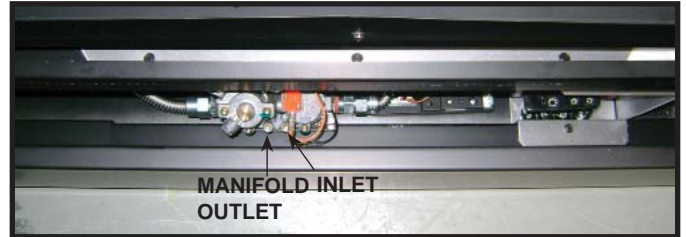


Figure 11.5. Pressure Taps

**Note:** The manifold and inlet pressure tabs can be accessed from the front of the fireplace, this requires the decorative front and fixed glass assembly to be removed (see Figure 11.5). The manifold and inlet pressure tabs can also be accessed by removing the valve assembly (see Figure 11.4).

## C. High Altitude Installations

**NOTICE:** If the heating value of the gas has been reduced, these rules do not apply. Check with your local gas utility or authorities having jurisdiction.

When installing above 610 meters elevation:

Reduce burner orifice 4% for each 305 meters above 610 meters.

# 12 Electrical Information

## A. Wiring Requirements

**NOTICE:** This appliance must be installed by a qualified electrician in accordance with the relevant national and local regulations.

- Wire the appliance junction cord to 220-240 VAC. This is required for proper operation of the appliance.

**WARNING! Risk of Shock or Explosion! DO NOT** wire 220/240 VAC to the valve or to the appliance wall switch. Incorrect wiring will damage controls.

**NOTICE:** The mains supply to the appliance must have isolation of a minimum 3 mm contact separation in both poles.

**WARNING! Risk of Injury!** The gas supply shall be shut off prior to disconnecting the electrical power and removing batteries (if installed) before proceeding with any maintenance to the appliance.

## B. IntelliFire Plus Ignition System Wiring

- Wire the appliance junction cord to 220-240 VAC for proper operation of the appliance.

**WARNING! Risk of Shock or Explosion! DO NOT** wire IPI controlled appliance junction cord to a switched circuit. Incorrect wiring will override IPI safety lockout.

- Refer to Figure 12.1, IntelliFire Plus Pilot Ignition (IPI) Wiring Diagram.

- This appliance is equipped with an IntelliFire Plus control valve which operates on a 6 volt system.
- For units installed in Australia, the residence's 220/240 wall outlet to which this appliance's power cord is connected, must be wired to an in-line on/off switch. This is required for servicing and/or resetting the control module in the event of a control module LOCK-OUT.
- Plug the 6-volt AC power supply into the appliance junction cord to supply power to the unit.

## C. Optional Accessories Requirements

- This appliance may be used with a wall switch, wall mounted thermostat and/or a remote control.

Wiring for optional Hearth & Home Technologies approved accessories should be done now to avoid reconstruction. Follow instructions that come with those accessories.

### Optional Remote Control Receiver Location

The control module and remote control receiver can be accessed through the air space between the firebox front and the lower-front finishing cover panel. The decorative front and glass assembly must be removed to access these components.

The IPI control module and the remote control receiver are placed on the firebox bottom.

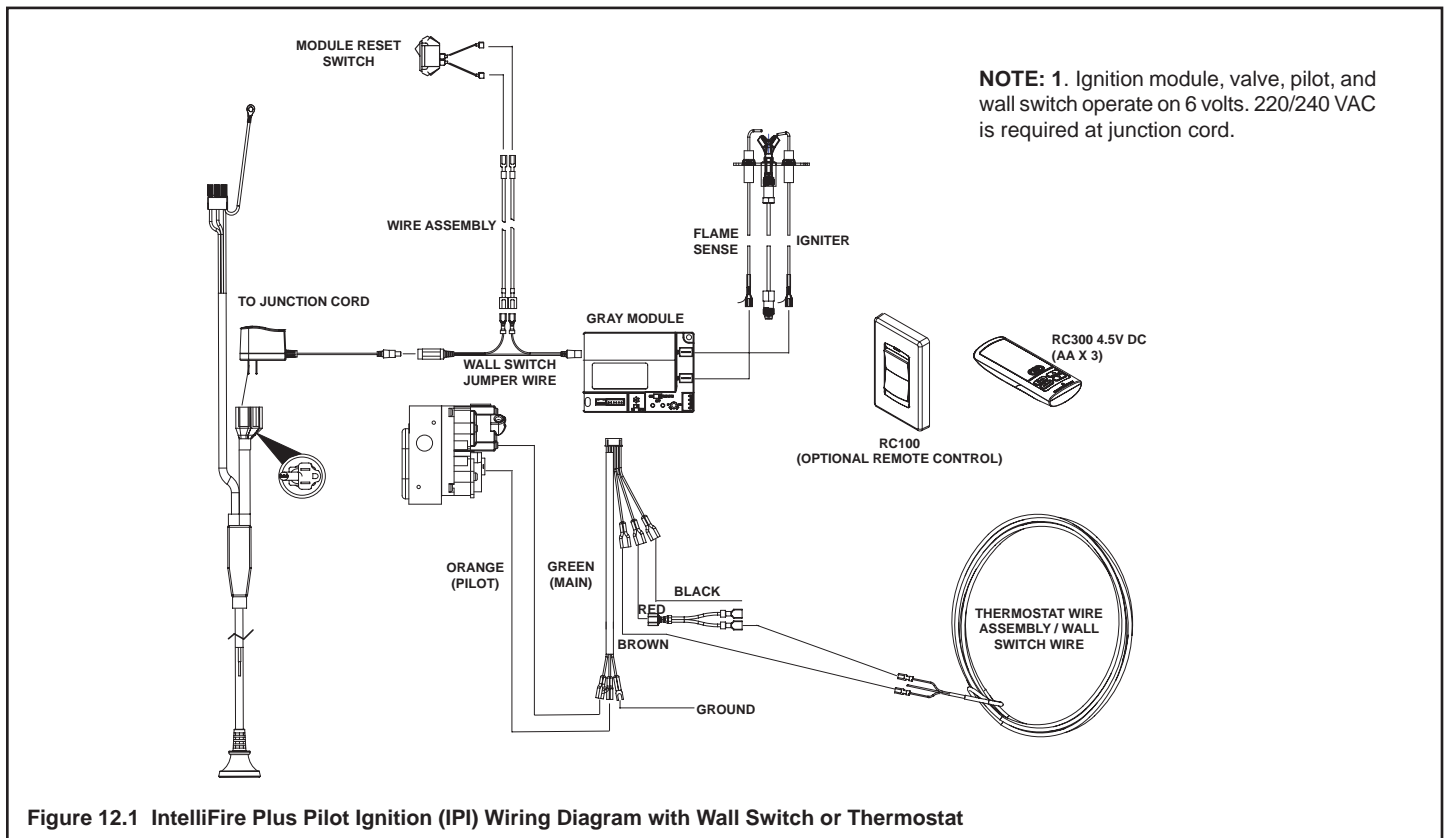


Figure 12.1 IntelliFire Plus Pilot Ignition (IPI) Wiring Diagram with Wall Switch or Thermostat

## D. Junction Cord Information

The junction cord is installed at the factory. Refer to Figure 12.2 and 12.3. for more information.

→ **Note:** There is an alternative access to the junction cord. This can be accessed by removing the valve assembly. See Figures 11.2 and 11.3.

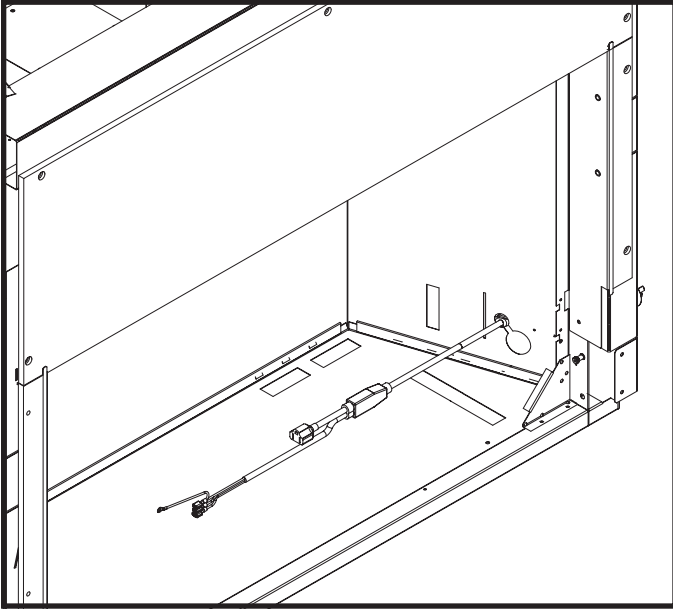


Figure 12.2. Junction Cord Information

## E. Electrical Service and Repair

**WARNING! Risk of Shock!** Label all wires prior to disconnection when servicing controls. Wiring errors can cause improper and dangerous operation. Verify proper operation after servicing.

**WARNING! Risk of Shock!** Replace damaged wire with type 105° C rated wire. Wire must have high temperature insulation.

## F. Blower

These heaters have a factory-installed fan and electrical junction cord. These components are located behind the lower door.

Use of the fan requires that the Junction cord (factory installed) be connected to 220/240 VAC service before permanently enclosing the heater. The service cord is found on the right exterior side of the unit. See Figure 12.3 for wire connection detail.

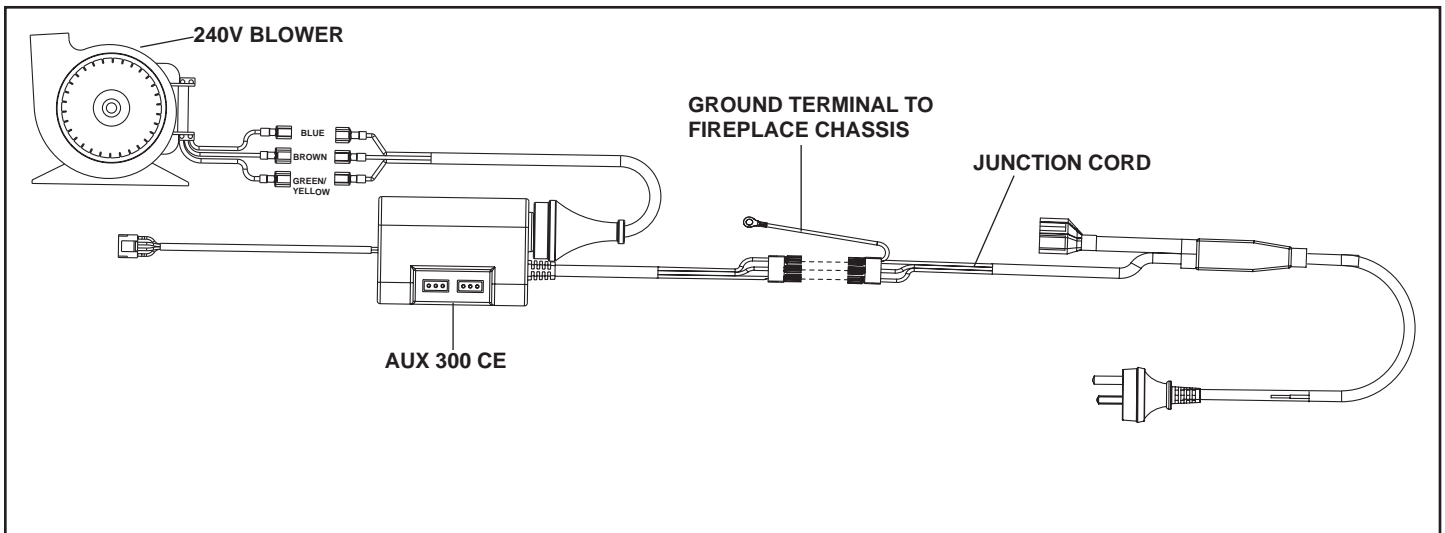


Figure 12.3 Blower Circuit-

# 13 Finishing

## A. Framing and Finishing Instructions

**WARNING! Risk of Fire!** Comply with all minimum clearances to combustibles as specified. Framing closer than the minimums listed must be constructed entirely of noncombustible materials (i.e., steel studs, concrete board, etc.)

### Finishing Instructions

It is important to follow the framing and finishing instructions to ensure proper placement of fireplace into the surrounding framing/finishing materials.

Wall sheathing materials 10 mm thick are specified in this installation manual to properly align with the factory-installed non-combustible material.

**WARNING! Risk of Fire! DO NOT** remove the factory-installed non-combustible board or cover it with combustible material, such as:

- Drywall (gypsum board)
- Plywood
- Materials that do not meet the ASTM E 136 Non-combustibility standard (below).

Removal of factory-installed, non-combustible board and/or use of materials not meeting the ASTM E 136 standard may cause fire.

### Non-Combustible Materials Specification

Material which will not ignite and burn. Such materials are those consisting entirely of steel, iron, brick, tile, concrete, slate, glass or plasters, or any combination thereof.

Materials that are reported as passing **ASTM E 136, Standard Test Method for Behavior of Materials in a Vertical Tube Furnace at 750 °C** and **UL763** shall be considered non-combustible materials.

### Setting the Fireplace into the Framing

Unlike many traditional, single-sided Heat & Glo fireplaces, this fireplace is recessed into surround framing. The left and right nailing tabs were designed so the fireplace is recessed to the correct location within the framing materials.

1. Bend two nailing tabs away from fireplace 180 degrees on both left and right nailing tabs. Do not adjust the column standoffs. See Figure 13.1.
2. Screw each nailing tab to the adjoining framing material. Ensure that the air space clearance is maintained on the sides of the fireplace. See Figure 13.2.

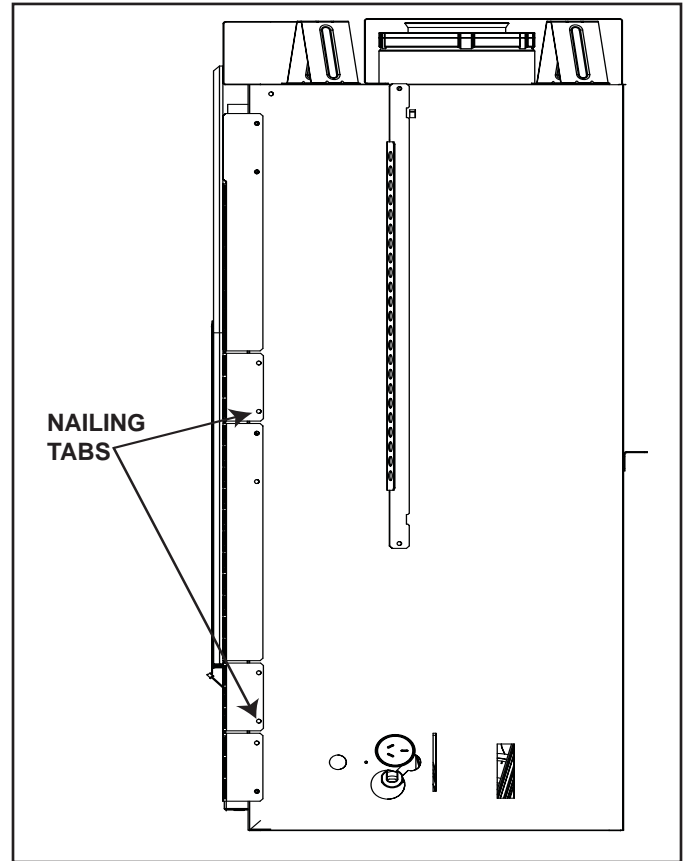


Figure 13.1 Nailing Tabs Installation Position

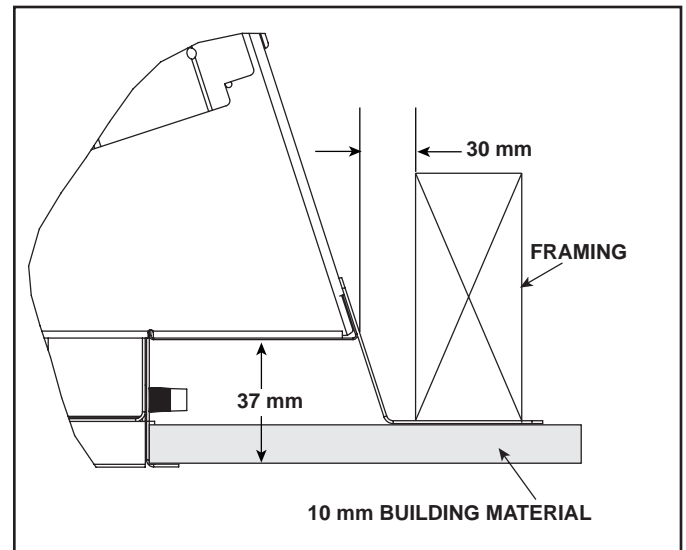


Figure 13.2 Front Side Finishing Detail

**WARNING! Risk of Fire! Maintain specified air space clearances to combustibles.**

Failure to comply with these instructions may cause a fire or cause the appliance to overheat.

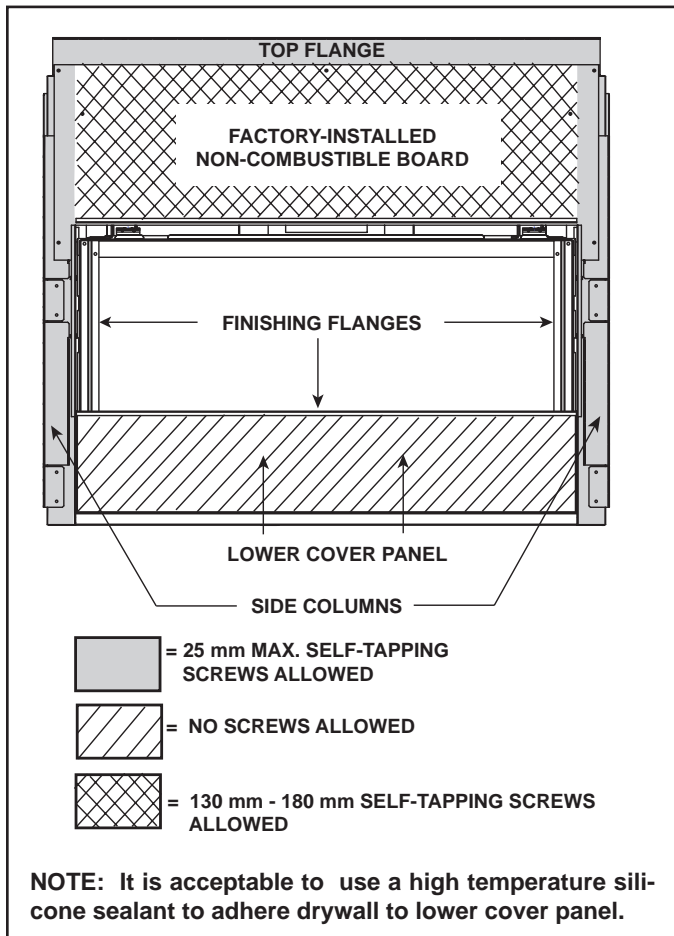


Figure 13.3 Finishing Details

**Note:** Refer to Section 13.C regarding installation details associated with the Inside and Overlap Fit methods.

**CAUTION! Risk of Glass Damage and Cuts! DO NOT drill or install any type of screw or fastener into the lower cover panel. Sharp screw or fastener tips may penetrate and break the glass or cause cuts.**

The XLR-PLUS-AU must be finished using either the Tonic or Martini decorative fronts. See Figures 13.16 and 13.17. The final fireplace installation can be accomplished by either the Overlap Fit or Inside Fit method. Reference Section 13.C regarding installation details associated with the Inside Fit and Overlap Fit methods.

It is acceptable to pre-drill holes and use self-tapped screws in the factory-installed non-combustible board to attach non-combustible backer board for tile, marble, etc. Refer to Figure 13.3 for acceptable screw location and screw length requirements.

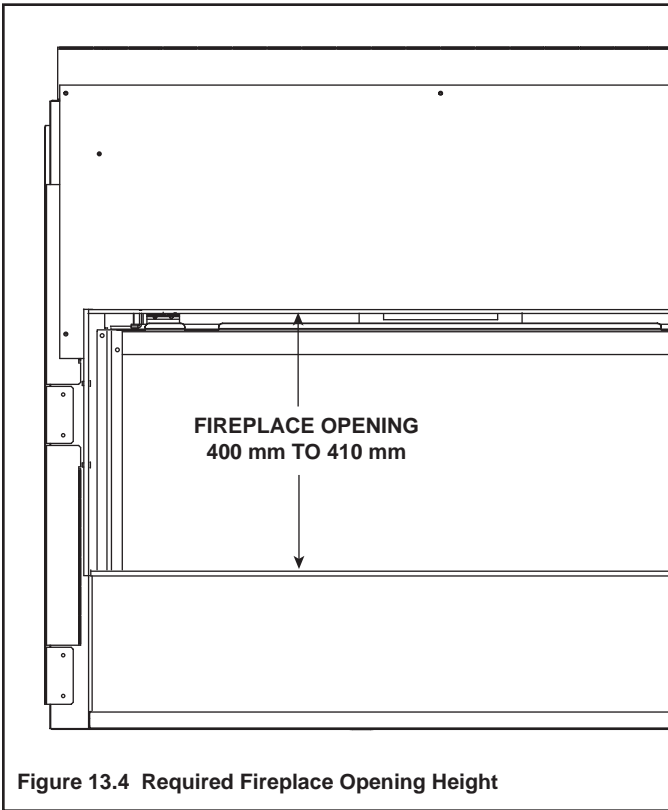
Self-tapping screws up to 25 mm long can be installed through the nailing tab and outer 45 mm edges of the factory-installed non-combustible board to secure the drywall adjacent to the factory-installed non-combustible board. See Figure 13.3.

Do not drill or install screws which may penetrate the lower cover panel as this will restrict required access to the glass, battery-back-up, and remote receiver. See Figure 13.3.

The appliance is designed to accept 13 mm wall sheathing materials such as drywall, plywood, wood composites, or non-combustible materials. The type of material used depends whether the installation is an Inside or Overlap Fit Method. Refer to Section 13.C regarding installation details associated with the Inside an Overlap Fit methods.

The left/right sides and bottom of the fireplace opening utilize finishing flanges that will overlap the 10 mm wall sheathing. The 10 mm thick wall sheathing can be installed tight to the left, right, and bottom finishing flanges such that the rough edges of the sheathing are tucked behind the flanges when using the Overlap Method of finishing.

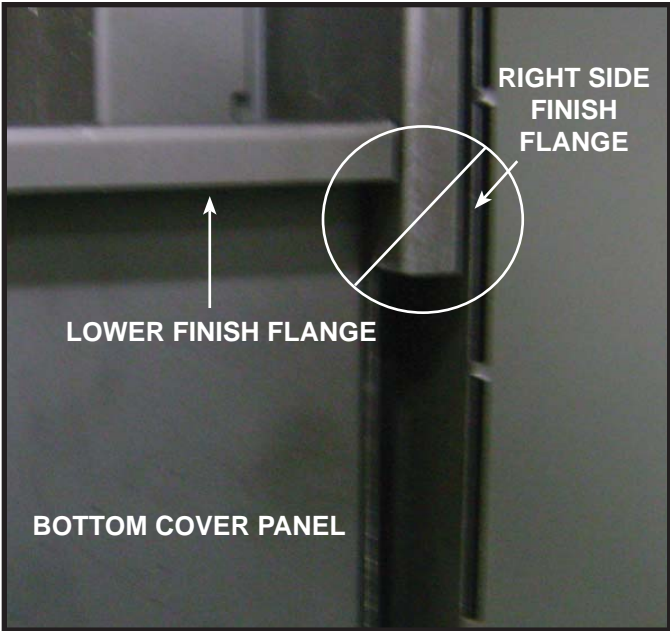
**Note:** Finishing materials are designed to overlap the outer edges of the finishing flanges up to the fireplace opening.



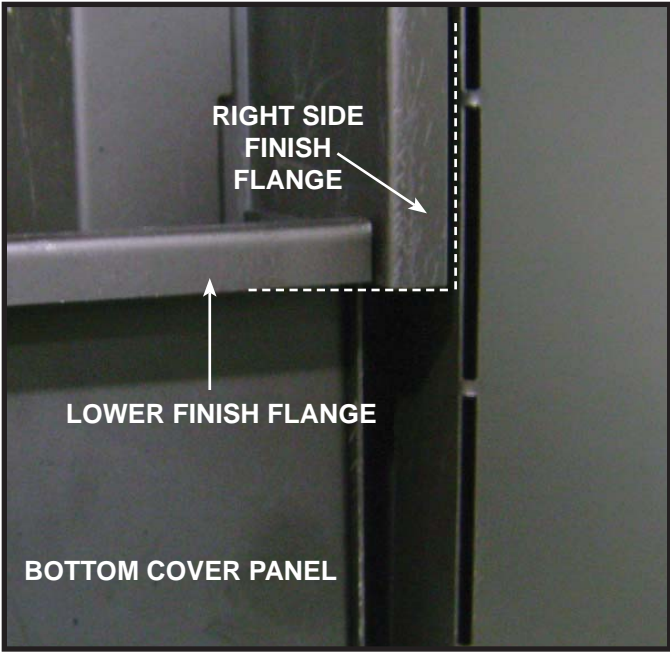
**Note:** The lower cover panel must be pushed all the way down. The outer finishing flanges should line up. The fireplace opening must be between 400 mm and 410 mm for the decorative fronts to fit correctly. See Figure 13.4, Figure 13.5 and Figure 13.6.

**Sealing Joints**

All joints between the factory-installed non-combustible board and 10 mm building material (dry wall, plywood, wood composites, etc.) can be taped and sealed with combustible drywall tape.



**Figure 13.5 Lower Cover Panel Positioned Incorrectly.**



**Figure 13.6 Lower Cover Panel Positioned Correctly**

## B. Mantel and Wall Projections

**WARNING! Risk of Fire!** Comply with all minimum clearances to combustibles as specified. Framing closer than the minimums listed must be constructed entirely of noncombustible materials (i.e., steel studs, concrete board, etc.) Failure to comply could cause fire.

**Note:** For non-combustible fireplace finish material (marble, stone, etc) specifications refer to Section 13.C.

### Mantels (Combustible/Non-Combustible)

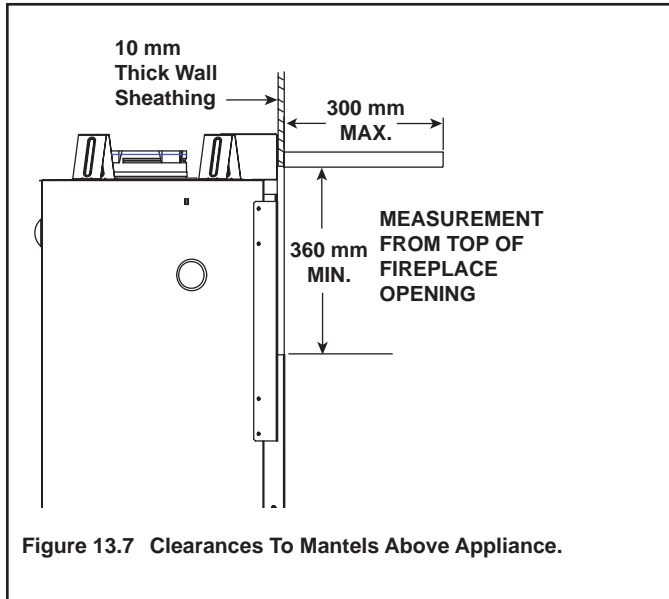
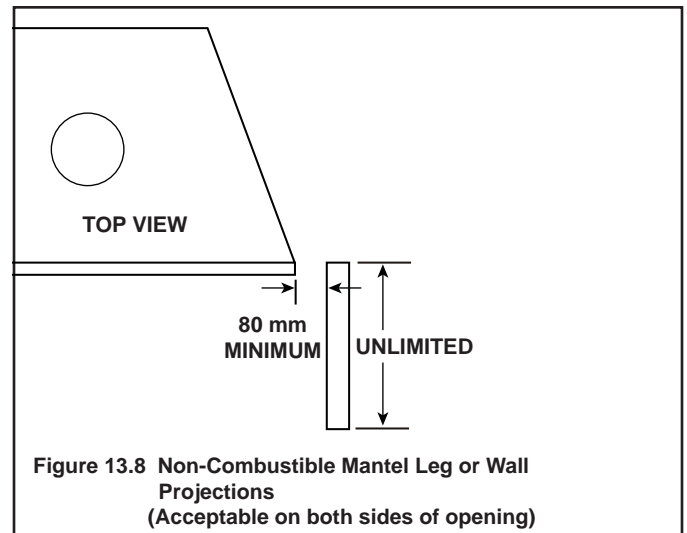


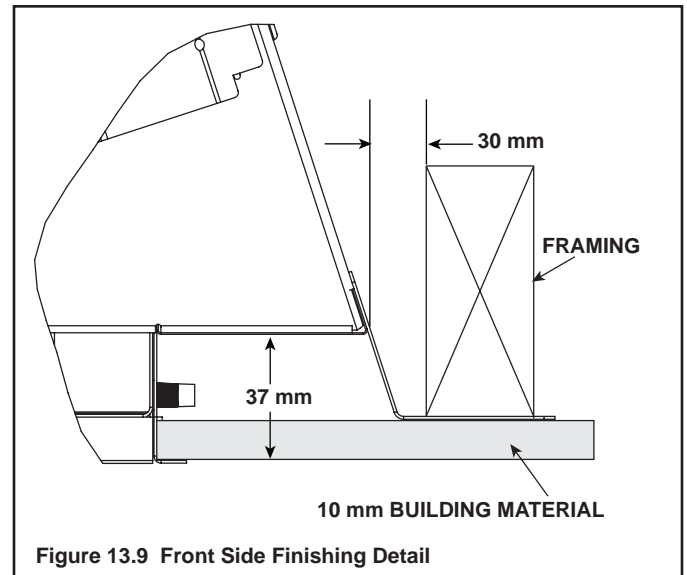
Figure 13.7 Clearances To Mantels Above Appliance.

**Note:** For non-combustible fireplace finish material (marble, stone, etc) specifications refer to Section 13.C.

### Mantel Leg (Combustible/Non-Combustible)



### Front Side Finishing Detail





### C. Facing Material

- Facing and/or finishing materials must not interfere with air flow through louvers, operation of louvers or doors, or access for service.
- Facing and/or finishing materials must never overhang into the glass opening.
- Observe all clearances when applying combustible materials.

**WARNING! Risk of Fire! DO NOT** apply combustible materials beyond the minimum clearances. Comply with all minimum clearances to combustibles as specified in this manual. Overlapping materials could ignite and will interfere with proper operation of doors and louvers.

**WARNING! Risk of Fire! DO NOT** install drywall or other combustible materials over the factory-installed non-combustible board. Overlapping materials could ignite.

Decorative facing material thickness is measured from the face of the factory-installed non-combustible board. See Figure 13.11 and Figure 13.13.

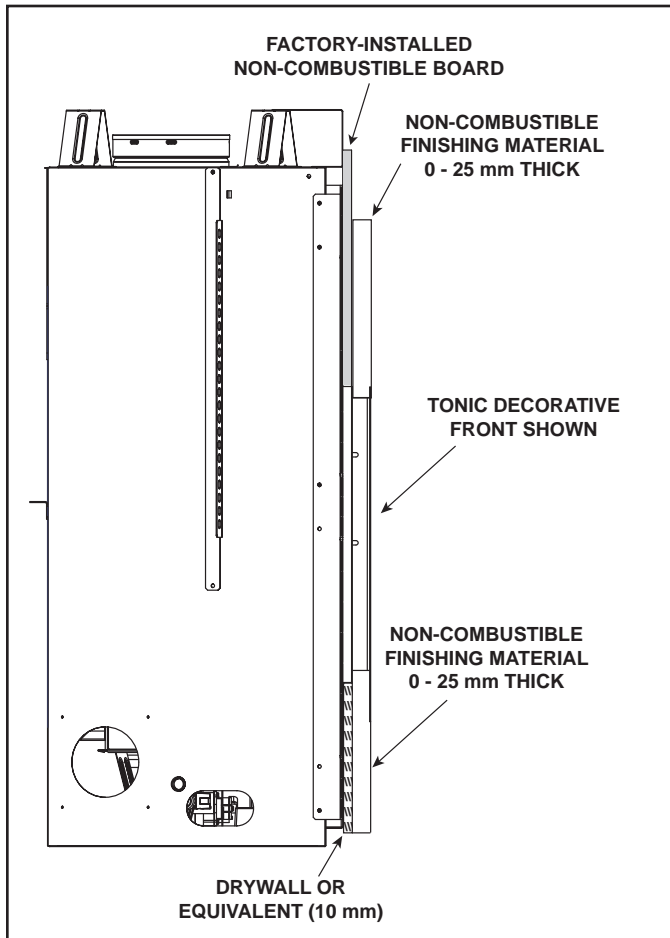


Figure 13.11 Overlap Fit Method (Tonic or Martini Decorative Front)

The Tonic decorative front can be installed with an “Overlap” or “Inside Fit” method:

Overlap Requirement: See Figure 13.11 and Figure 13.12.

Inside Fit requirement: See Figure 13.13, 13.14, 13.15.

**Note:** The Martini front is not designed for use with the inside fit method.

#### Non-Combustible Finish Materials 0 - 25.4 mm Thickness-Overlap Fit Method

Both the Tonic and Martini decorative fronts are designed to overlap finish materials 0 mm to 25.4 mm thick. See Figure 13.11 and Figure 13.12.

**NOTICE:** This 25.4 mm maximum not only includes the decorative finish materials (marble, tile, slate, etc) but also the mortar or adhesive used to attach the decorative finish material.

The non-combustible finish material can be installed up to the fireplace opening.

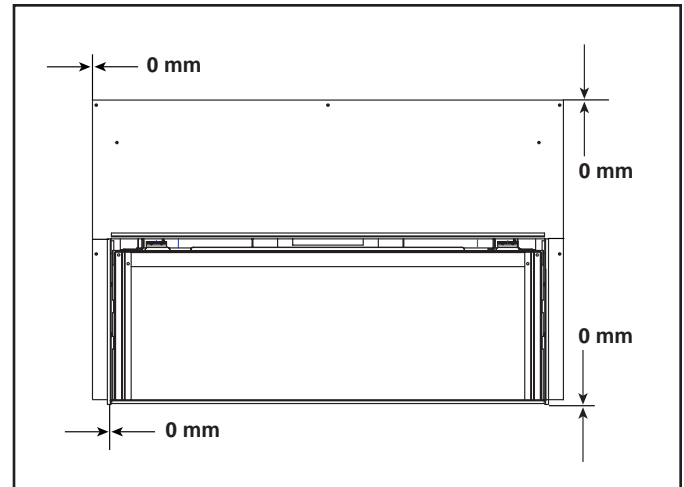


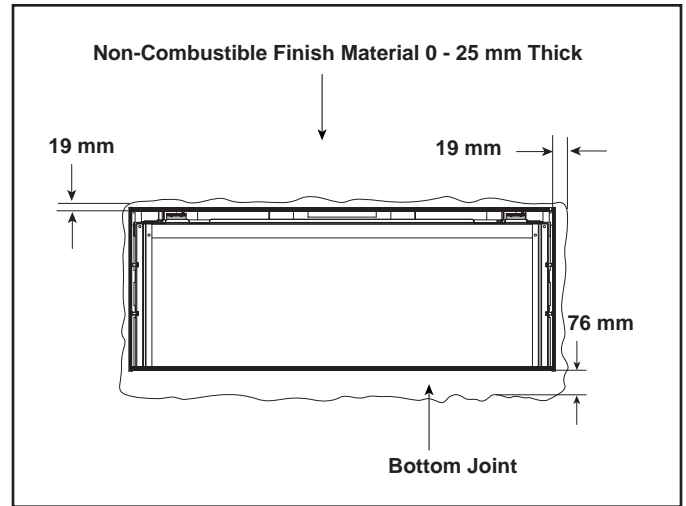
Figure 13.12 Non-Combustible Finish Material Diagram for 0 - 25.4 mm Thick Overlap Fit Method (Tonic or Martini Decorative Front)

**Non-Combustible Finish Materials  
0 mm to 25 mm Thick Inside Fit Method**

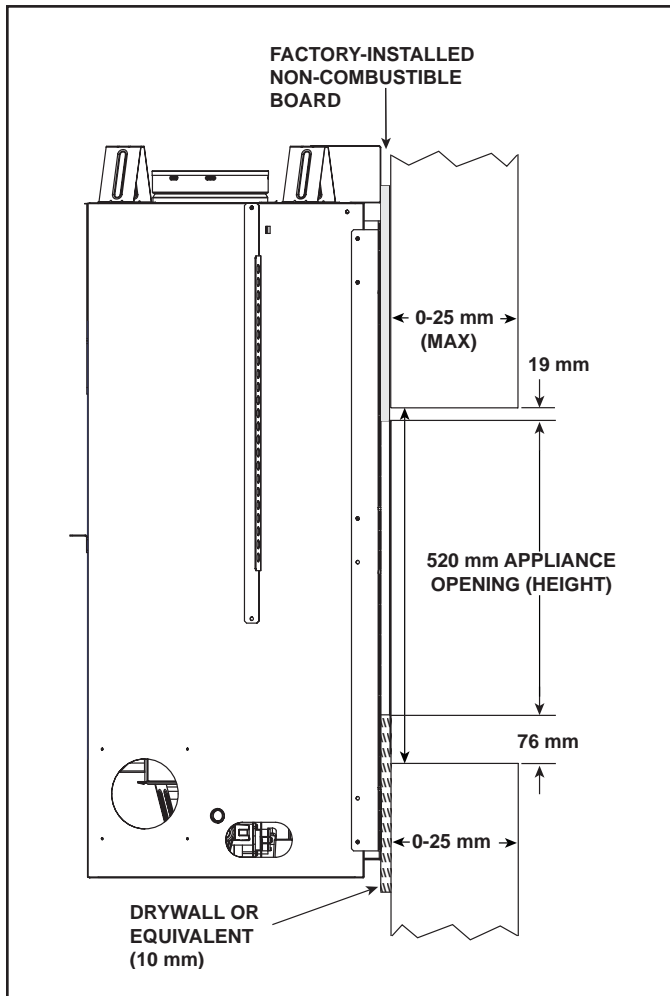
The Tonic decorative front is approved for inside fit applications. Non-combustible finishing materials up to 25 mm thick can be installed around the front (left, right, top, and bottom).

For the Tonic decorative front inside fit applications, the decorative front must be installed tight to the finishing flanges and must not overlap any finish material.

Ensure that no non-combustible finish materials are installed within 19 mm of the top of the fireplace opening, or within 76 mm of the bottom of the fireplace opening. The 19 mm spacing is required to provide clearance for removing and installing the Tonic decorative front. See Figure 13.14.



**Figure 13.14 Noncombustible Surface Finishing Material  
0 - 25 mm Thick-Inside Fit Method  
(Tonic Decorative Front Only)**

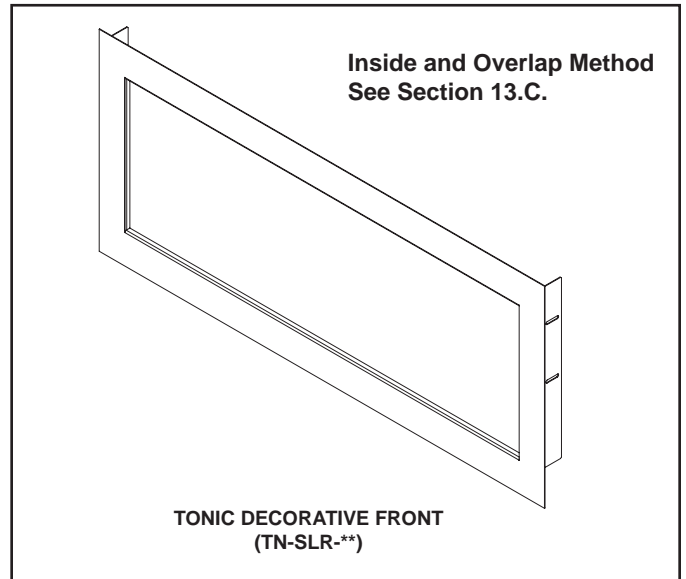


**Figure 13.13 Inside Fit Method (Tonic Decorative Front Only)**

**D. Decorative Fronts**

**WARNING! Risk of Fire!** A decorative front is required for this model. DO NOT operate this appliance without a decorative front in place.

Only doors certified for use with this appliance model may be used. Contact your dealer for a list of doors that may be used.



**Figure 13.15 Tonic Decorative Front**

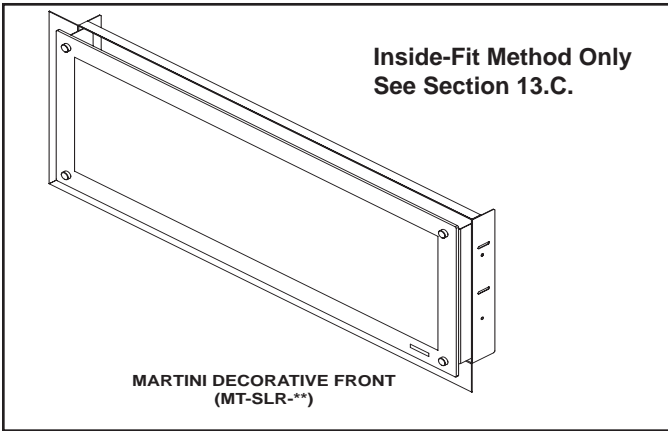


Figure 13.16 Martini Decorative Front

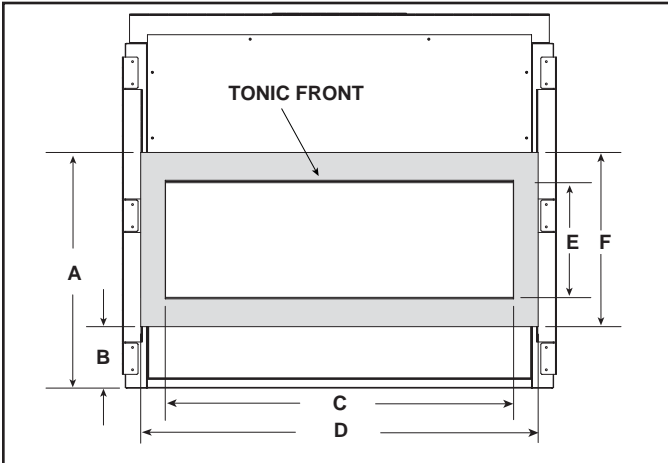


Figure 13.17. Dimensions of Tonic Decorative Front.

Table 1. Dimensions of Tonic Decorative Front.

A	Top of decorative front to bottom of appliance.	670 mm
B	Bottom of decorative front to bottom of appliance.	175 mm
C	Inside dimension of decorative front (width).	991 mm
D	Outside dimension of decorative front (width).	1.13 m
E	Inside dimension decorative front (height).	327 mm
F	Outside dimension of decorative front (height).	495 mm

This appliance requires field-installation of heat shield(s) on the firebox glass frame. These shields function to manage convective heat transfer during blower operation. These shields are critical to the performance and reliability of the appliance because they prevent overheating of gas control components.

For installation finished with the Martini decorative front, a single lower glass heat shield is installed in the bottom of the glass frame. This shield will be installed prior to installing the decorative surround and glass. See Figure 13.18. It is also critical that the required air space is maintained between the underside of the Martini surround and the adjacent finishing materials. See Figure 13.19.

For installations finished with the Tonic decorative front, both an upper and lower glass heat shields are installed in the top and bottom of the firebox glass frame. These will be installed prior to installing the framed mesh and the Tonic surround. See Figures 13.18 and 13.19.

**WARNING! Risk of Valve / Control Damage!** This appliance requires field-installation of heat shields onto the firebox glass frame. Do not operate this appliance without the specified heat shield(s).

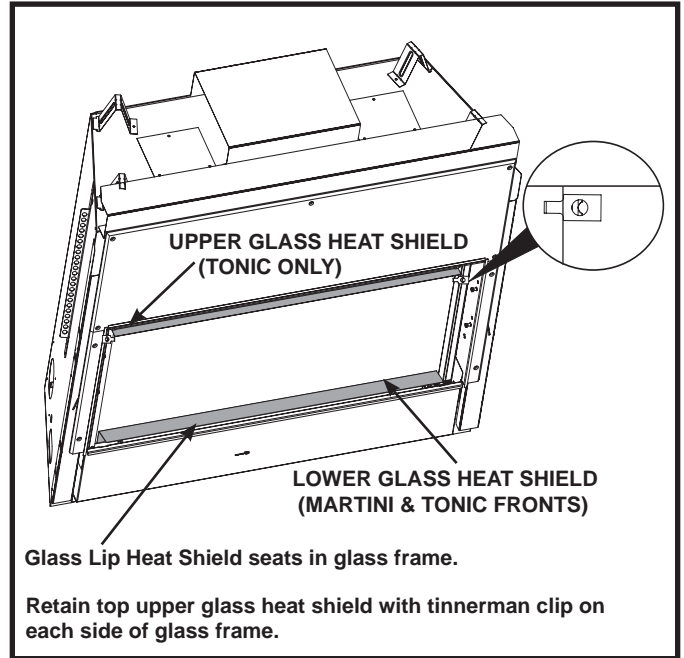


Figure 13.18 Glass and Heat Shield - Martini and Tonic

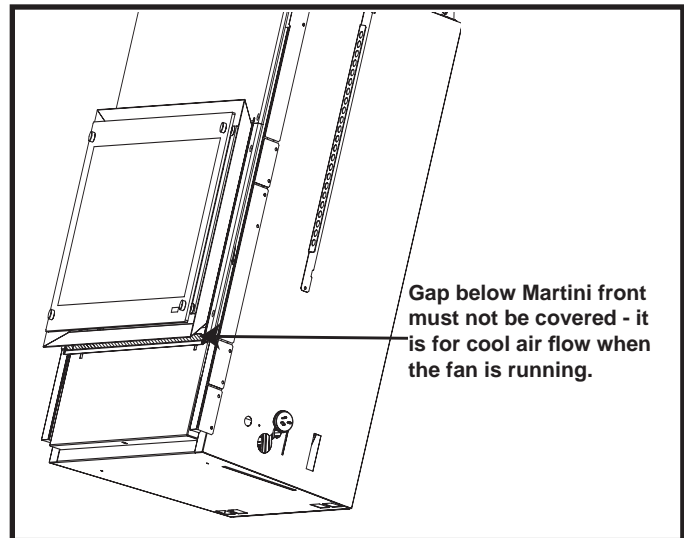


Figure 13.19 Martini Front Gap

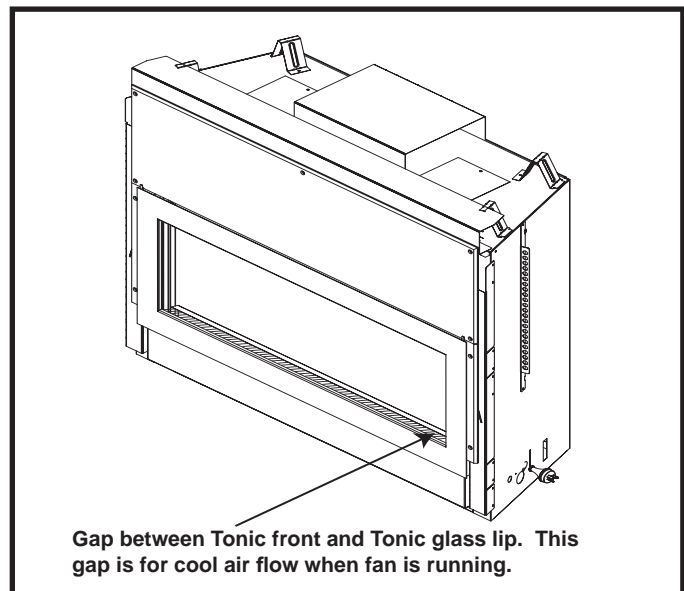


Figure 13.20 Tonic Front Gap

# 14 Appliance Setup

## A. Remove Fixed Glass Assembly

See Section 14.E.

## B. Remove the Shipping Materials

Remove shipping materials from inside or underneath the firebox. The standard black rock media and manual bag assembly are also shipped underneath the firebox.

## C. Clean the Appliance

Clean/vacuum any sawdust that may have accumulated inside the firebox or underneath in the control cavity.

## D. Accessories

Install approved accessories per instructions included with accessories. Contact your dealer for a list of approved accessories.

**WARNING! Risk of Fire and Electric Shock!** Use ONLY Hearth & Home Technologies-approved optional accessories with this appliance. Using non-listed accessories could result in a safety hazard and will void the warranty.

## E. Fixed Glass Assembly

**WARNING! Risk of Asphyxiation!** Handle fixed glass assembly with care. Inspect the gasket to ensure it is undamaged and inspect the glass for cracks, chips or scratches.

- **DO NOT** strike, slam or scratch glass.
- **DO NOT** operate fireplace with glass removed, cracked, broken or scratched.
- Replace as a complete assembly.

### Removing Fixed Glass Assembly

1. Remove the decorative front.
2. Locate the two spring latches that are on the upper left and right of the fireplace.
3. Use both index fingers to release spring latches. See Figure 14.1.

4. Allow glass to tilt forward. Grasp glass on the upper right and left sides and lift glass “up” and “out.”

### Replacing Fixed Glass Assembly

1. Locate glide tabs on lower left and right corners.
2. Grasp glass on upper right and left sides and tilt bottom of glass assembly toward fireplace.
3. Allow of the bottom gasketing of the glass assembly to touch the face of the fireplace.
4. Put pressure on the glass as you allow the glass assembly to drop into the two lower tabs. See Figure 14.1.
5. Tilt top of glass towards fireplace and engage both top spring latches

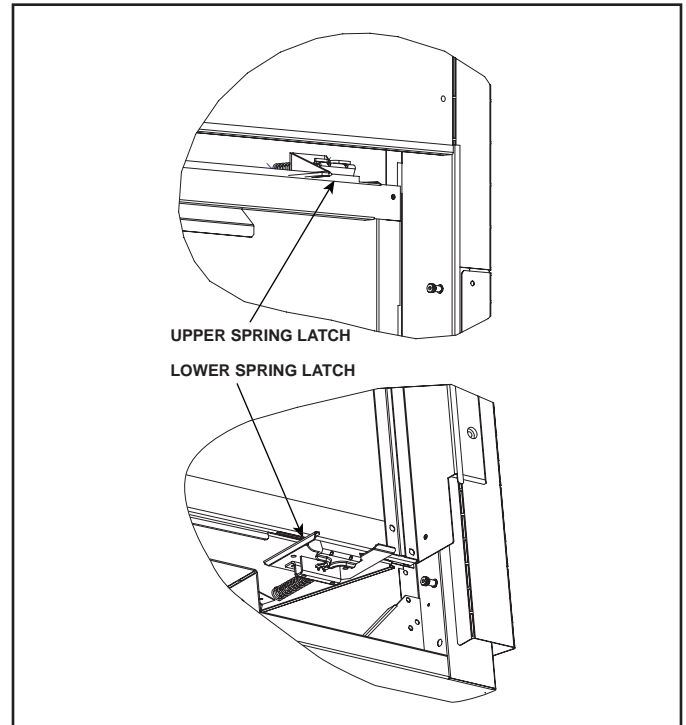


Figure 14.1 Fixed Glass Assembly

## F. Install the Mesh

The mesh front is included with the Tonic front. The Martini tinted glass front does not include mesh.

1. Place Tonic glass lip shields in position.
2. Place mesh into position with retaining bolts removed.
3. Thread retaining bolts into mating threads to retain mesh as shown. See Figure 14.2.

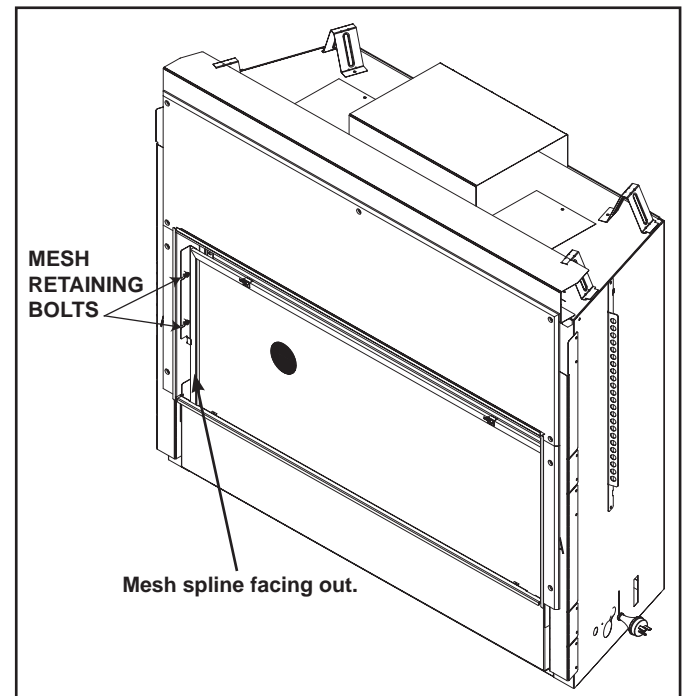


Figure 14.2 Mesh Installation

## G. Air Shutter Setting

Air shutter settings may be adjusted by a qualified installer at the time of installation. The air shutter is set at the factory for minimum vertical vent run. Adjust air shutter for longer vertical runs. See Figure 14.3.

- Loosen the 1/4 in. screw.
- Twist shutter to adjust
- Shutter may be open for longer horizontal vent runs.
- Do not close the air shutter more than 16 mm for NG or 80 mm for LP. Note: the air shutter should be fully open when using butane.
- Tighten the screw.

**NOTICE:** If the flames appear to be orange, open the air shutter to prevent residue buildup on the glass.

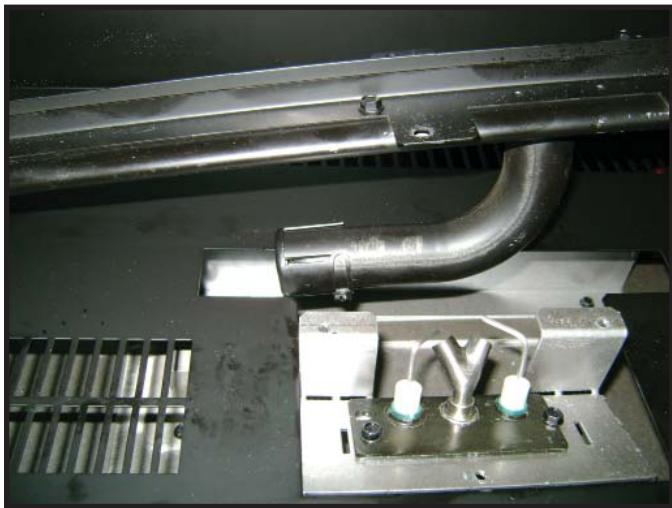


Figure 14.3 Air Shutter

### Shutter Settings

	Logs	Glass Media	Fiber Stones
<b>NG</b>	13 mm	5 mm	6 mm
<b>Propane</b>	Full Open	10 mm	13 mm
<b>Butane</b>	Full Open	Full Open	Full Open

## H. Media Options

Unit ships without a media option. Available approved media options are:

- MEDIA-AMBER
- MEDIA-BLACK
- MEDIA-CLEAR
- MEDIA-COBALT
- MEDIA-BK2-GEMS
- MEDIA-WH2-GEMS
- MEDIA-GEMS
- XLR-LOGS
- MEDIA-STONES-2

## I. Verify Performance of Appliance

1. Verify pilot sparks, pilot lights, pilot stops sparking, and the main burner turns "ON" by turning wall control "ON".
2. Turn fireplace "OFF". Verify that the both the pilot and burner turn "OFF".
3. Repeat Step 1 above.
4. With the burner "ON" remove the green wire connected to the gas valve after the second audible "beep" from the control module is heard. The main burner should shut off. Turn appliance "OFF".
5. Reattach the green wire to the valve and turn "ON" the fireplace. The main burner should light after the second audible "beep" from the control module is heard.
6. With the burner "ON" remove orange wire both the main burner and pilot should go out. ←
7. Turn fireplace "OFF" and reattach orange wire to the valve.
8. Repeat steps 1 & 2 to ensure proper functionality of appliance. ←

# 15 Troubleshooting

With proper installation, operation, and maintenance your gas appliance will provide years of trouble-free service. If you do experience a problem, this troubleshooting guide will assist a qualified service technician in the diagnosis of a problem and the corrective action to be taken. This troubleshooting guide can only be used by a qualified service technician. Contact your dealer to arrange a service call by a qualified service technician.

## A. IntelliFire Plus Ignition System

Symptom	Possible Cause	Corrective Action
1. Pilot won't light. The ignitor/module makes noise, but no spark.	a. Incorrect wiring.	Verify "S" wire (white) for sensor and "I" wire (orange) for ignitor are connected to correct terminals on module and pilot assembly.
	b. Loose connections or electrical shorts in the wiring.	Verify no loose connections or electrical shorts in wiring from module to pilot assembly. Verify connections underneath pilot assembly are tight; also verify connections are not grounding out to metal chassis, pilot burner, pilot enclosure, mesh screen if present, or any other metal object.
	c. Ignitor gap is too large.	Verify gap of igniter to right side of pilot hood. The gap should be approximately 3 mm.
	d. Module.	Turn ON/OFF rocker switch or wall switch to OFF position. Remove ignitor wire "I" from module. Place a grounded wire about 3/16 in. (5 mm) away from "I" terminal on module. Place ON/OFF rocker switch or wall switch in ON position. If there is no spark at "I" terminal module must be replaced. If there is a spark at "I" terminal, module is fine. Inspect pilot assembly for shorted sparker wire or cracked insulator around electrode. Replace pilot if necessary.
2. Pilot won't light, there is no noise or spark.	a. No power or transformer installed incorrectly.	Verify that transformer is installed and plugged into module. Check voltage of transformer under load at spade connection on module with ON/OFF switch in ON position. Acceptable readings of a good transformer are between 6.4 and 6.6 volts AC.
	b. A shorted or loose connection in wiring configuration or wiring harness.	Remove and reinstall the wiring harness that plugs into module. Verify there is a tight fit. Verify pilot assembly wiring to module. Remove and verify continuity of each wire in wiring harness. Replace any damaged components.
	c. Improper wall switch wiring.	Verify that 220-240 VAC service power is "ON" to appliance.
	d. Module not grounded.	Verify black ground wire from module wire harness is grounded to metal chassis of appliance.
	e. Module.	Turn ON/OFF rocker switch or wall switch to OFF position. Remove ignitor wire "I" from module. Place ON/OFF rocker switch or wall switch in ON position. If there is no spark at "I" terminal module must be replaced. If there is a spark at "I" terminal, module is fine. Inspect pilot assembly for shorted sparker wire or cracked insulator around electrode.
3. Pilot sparks, but Pilot will not light.	a. Gas supply.	Verify that incoming gas line ball valve is "open". Verify that inlet pressure reading is within acceptable limits, inlet pressure must not be exceeded.
	b. Ignitor gap is incorrect.	Verify that spark gap from ignitor to pilot hood is 3 mm.
	c. Module is not grounded.	Verify module is securely grounded to metal chassis of appliance.
	d. Module voltage output / Valve/Pilot solenoid ohms readings.	Verify battery voltage is at least 5.7 volts. Replace batteries if voltage is below 5.7.

## IntelliFire Plus Ignition System - (continued)

Symptom	Possible Cause	Corrective Action
4. Pilot lights but continues to spark, and main burner will not ignite. (If the pilot continues to spark after the pilot flame has been lit, flame rectification has not occurred.)	a. A shorted or loose connection in flame sensing rod.	Verify all connections to wiring diagram in manual. Verify connections underneath pilot assembly are tight. Verify connections are not grounding out to metal chassis, pilot burner, pilot enclosure or screen if present, or any other metal object.
	b. Poor flame rectification or contaminated flame sensing rod.	With fixed glass assembly in place, verify that flame is engulfing flame sensing rod on left side of pilot hood. Flame sensing rod should glow shortly after ignition. Verify correct pilot orifice is installed and gas inlet is set to pressure specifications. Clean flame sensing rod with emery cloth to remove any contaminants that may have accumulated on flame sensing rod.
	c. Module is not grounded.	Verify module is securely grounded to metal chassis of appliance. Verify that wire harness is firmly connected to the module.
	d. Damaged pilot assembly or contaminated flame sensing rod.	Verify that ceramic insulator around the flame sensing rod is not cracked, damaged, or loose. Verify connection from flame sensing rod to white sensor wire. Clean flame sensing rod with emery cloth to remove any contaminants that may have accumulated on flame sensing rod. Verify continuity with a multimeter with ohms set at lowest range. Replace pilot if any damage is detected.
	e. Module.	Turn ON/OFF rocker switch or wall switch to OFF position. Remove ignitor wire "I" from module. Place ON/OFF rocker switch or wall switch in ON position. If there is no spark at "I" terminal module must be replaced. If there is a spark at "I" terminal, module is fine.
5. Carbon Deposition	a. Log Placement	Verify placement and assure flame is not excessively impinging on log.
	b. Shutter Setting	Check to assure correct shutter setting for your model and gas type.
	c. Gas Type	Assure correct fuel matches unit gas model and components.

## Frequently Asked Questions/Troubleshooting

Symptom	Possible Cause	Corrective Action
Remote control will not transmit	Batteries	Verify batteries are functional and installed correctly.
	Remote control is in Child Lock mode	Disengage Child Lock mode.
	Buttons not being pressed firmly	Press button firmly for one to two seconds to ensure transmission to module.
Control module will not take commands from remote control	Control module is not in "REMOTE" mode	Ensure module switch is set to REMOTE.
	Control module and remote control are not programmed to each other	The control module will beep when it successfully receives a command. If it does not beep, clear module memory and re-program wall switch.
	Control module is unplugged. In case of power outage, backup batteries are depleted or missing	If the transmission indicator comes on when power button is pressed, verify that the control module is plugged in the fireplace junction cord located in the controls area. Also verify that the batteries are installed in the battery pack.
Fan does not turn on when fireplace is started	Built in time delay	The fireplace must run for seven minutes in order for the fan to engage.
Fan does not turn off when fireplace turned off	Built in time delay	The fan will run for twelve minutes after the fireplace is turned off.
Fireplace shuts down after extended periods	Built-in timer	The fireplace will automatically shut down after nine hours of continuous operation if it does not receive a command from the remote.
Fireplace is on but will not shut off with the remote control	External wired wall switch	The fireplace cannot be turned off by remote if an external wired switch is installed and in the ON position. Turn external wall switch to OFF.
	Remote control or control module failure	At control module, turn off fireplace by sliding the ON/OFF/REMOTE switch to OFF. Warning! Risk of Burns! Fireplace is hot. Use caution when accessing module.



# 16 Component Access

**WARNING! Risk of Fire, Electric Shock and Burns!**  
Turn off power to module and valve by unplugging the 6V transformer from the junction cord, before removing fixed glass assembly.

## A. Decorative Front and Fixed Glass Assembly Removal

- The decorative front can be removed by unscrewing (4) screws that secure the decorative front to the fireplace. Refer to the installation instructions that were included with the decorative front option for more detailed instruction.
- Refer to Section 14.E for fixed glass removal and installation instructions.

## B. Valve Pressure Taps

The pressure taps are available through the front of the appliance. The decorative mesh front and fireplace gas assembly must be removed to gain access to the pressure taps.

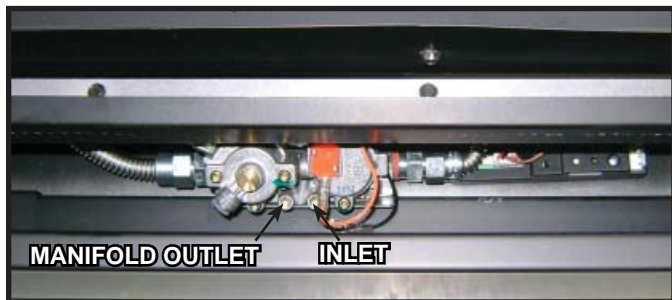


Figure 16.1 Pressure Taps

## C. Control Module Access

The control module on this appliance can be accessed by following the following steps:

1. Remove decorative front and fixed glass assembly.
2. Locate the control module. See Figure 16.2.
3. Unplug the black wire from the transformer, unplug the wire harness to the valve, and unplug the orange and white wires from the pilot assembly.
4. Verify the replacement module is installed to the wire diagram listed in Section 12.

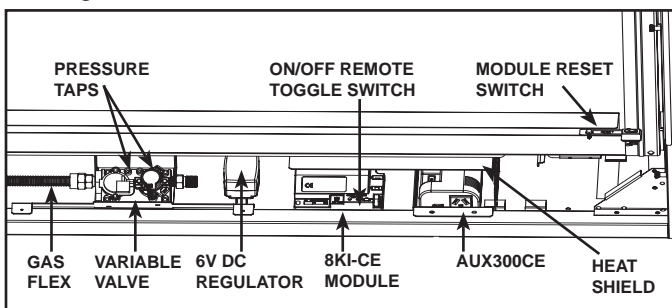


Figure 16.2 Valve Components

## D. Media Tray Removal

1. Remove decorative front and fixed glass assembly.
2. Remove media tray by removing two screw located on the front edge of the media tray. See Figure 16.3.

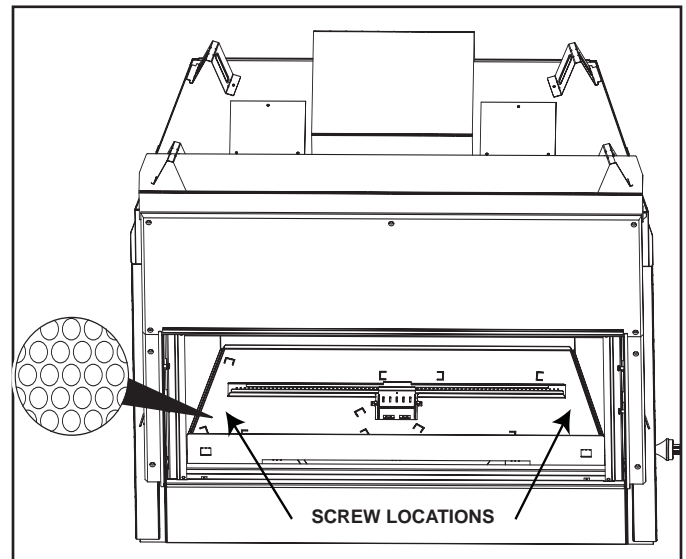


Figure 16.3 Remove Media Tray

## E. Burner and Base Pan Removal

Once the media tray is removed, the burner assembly and base pan may be removed.

1. Remove burner assembly by removing two screws that secure the burner to the pilot assembly bracket and remove the one screw that secures the burner clip that secures the burner to the base pan. See Figure 16.4.
2. Once the burner is removed, the base pan can be removed by lifting "up" and "out".

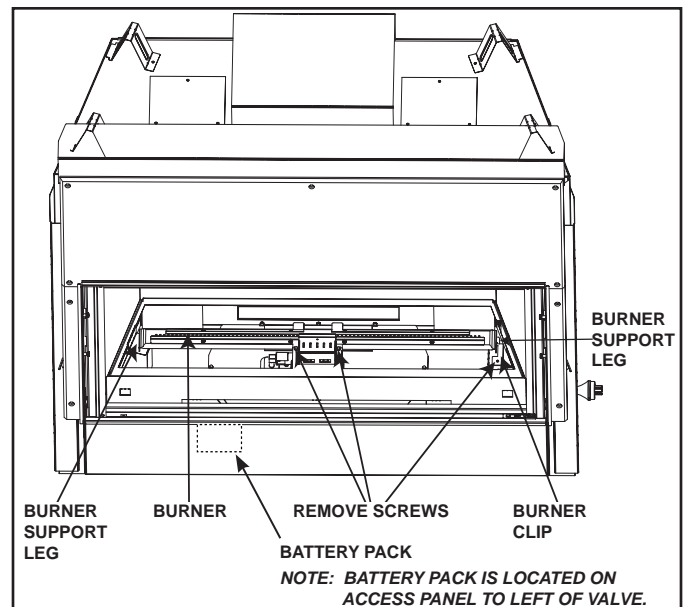


Figure 16.4 Remove Burner Assembly

## F. Access Through the Valve Assembly

The lower access cover panel is removable if finishing material has not been previously installed.

Remove media tray, burner assembly, and base pan.

To access components:

1. Remove eleven screws around perimeter of valve assembly that secure valve plate to the firebox bottom. See Figure 16.5.
2. Lift the valve assembly from the back so that the gas valve can clear the valve plate hole in the bottom the firebox. See Figure 16.6.



Figure 16.5 Remove Valve Plate Screws

3. Set the valve bracket on the front lip of the firebox bottom. Turn "off" the ball valve. Disconnect gas valve from the gas flex ball valve assembly at the pressure fitting. See Figure 16.6.



Figure 16.6 Remove Valve Plate

4. Lift the valve assembly up and out to make necessary service or repair.
5. Replace gasket before reinstalling the valve assembly.

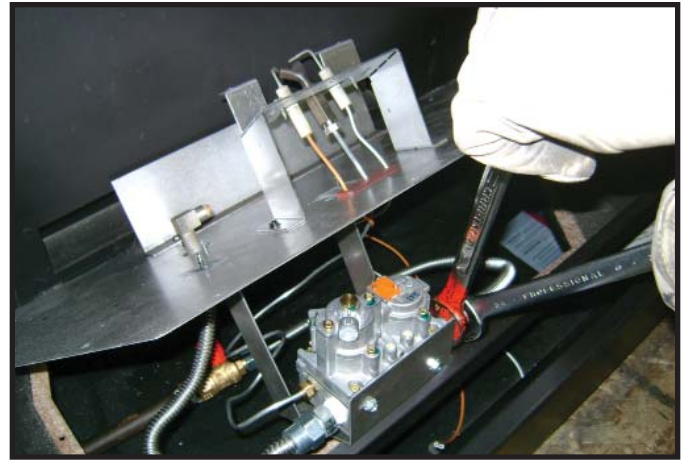


Figure 16.7 Disconnect Gas Valve

## G. Gas Valve Replacement

Once the valve assembly has been removed, the gas valve, pilot assembly, orifice flex tube, and flex ball valve can be replaced.

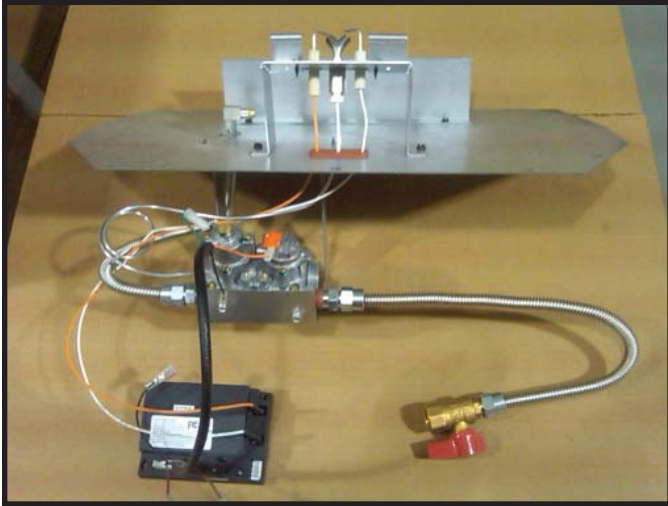


Figure 16.8

1. Place the valve assembly on a clean, stable surface to service or replace any components.
2. Disconnect the orange and green wires from the valve.
3. Removed the Pilot fitting from the valve assembly
4. Disconnect the orifice gas flex and gas ball valve flex from the (2) flare fittings.
5. Unscrew (2) screws located under the pressure taps to remove the gas valve from the valve bracket.

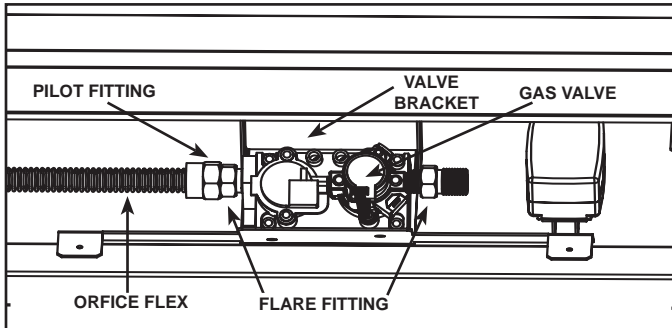


Figure 16.9

## H. Pilot Assembly Replacement

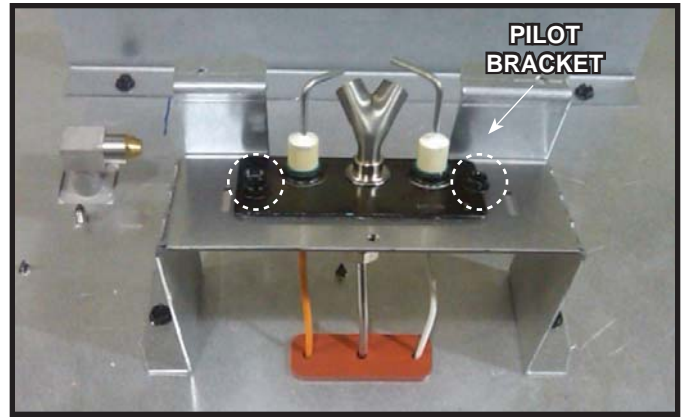


Figure 16.10

1. Disconnect the orange and white wires from the control module.
2. Remove the pilot fitting from the valve assembly.
3. Remove two screws that secure pilot assembly to the pilot bracket.

# 17 Reference Materials

## A. Appliance Dimension Diagram

Dimensions are actual appliance dimensions. Use for reference only. For framing dimensions and clearances refer to Section 5.

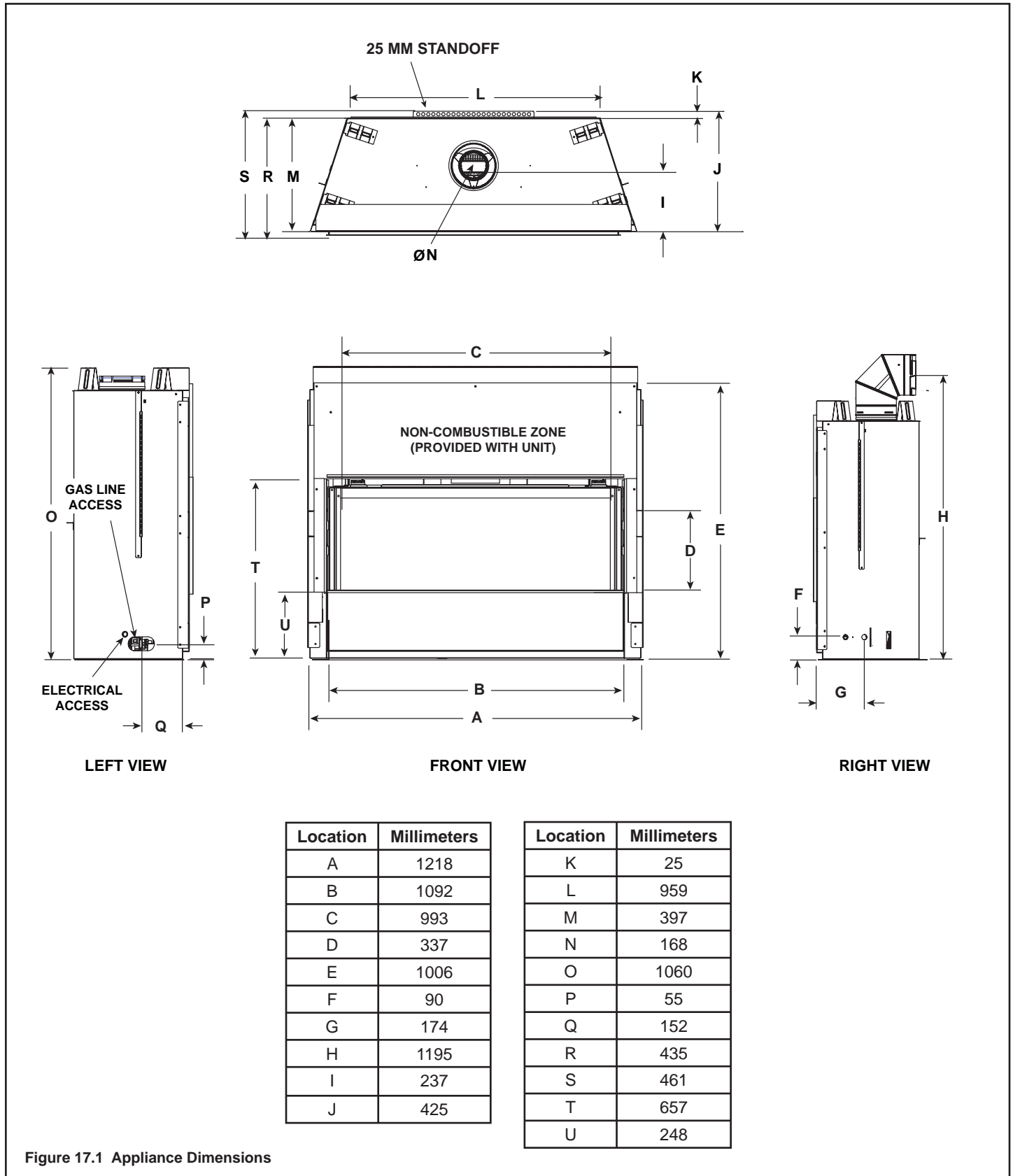


Figure 17.1 Appliance Dimensions

## B. Maintenance Tasks

Inspect	Maintenance Tasks
Doors	1. Inspect for scratches, dents or other damage and repair as necessary.
	2. Verify no obstructions to airflow.
	3. Verify maintenance of proper clearance to combustible household objects.
Gasket Seal, Glass Assembly and Glass	1. Inspect gasket seal and its condition.
	2. Inspect glass panels for scratches and nicks that can lead to breakage when exposed to heat.
	3. Confirm there is no damage to glass or glass frame. Replace as necessary.
	4. Verify that latches engage properly, clip studs are not stripped, and glass attachment components are intact and operating properly. Replace as necessary.
	5. Clean glass. Replace glass assembly if severely coated with silicate deposits that cannot be removed.
Valve Compartment and Firebox Top	1. Vacuum and wipe out dust, cobwebs, debris or pet hair. Use caution when cleaning these areas. Screw tips that have penetrated the sheet metal are sharp and should be avoided.
	2. Remove any foreign objects.
	3. Verify unobstructed air circulation.
Logs	1. Inspect for broken, damaged, or missing logs. Replace as necessary.
	2. Verify correct log placement and no flame impingement causing sooting. Correct as necessary.
Firebox	1. Inspect for paint condition, warpage, corrosion or perforation. Sand and repaint as necessary.
	2. Replace appliance if firebox has been perforated.
Burner Ignition and Operation	1. Verify burner is properly secured and aligned with pilot or igniter.
	2. Clean off burner top, inspect for plugged ports, corrosion or deterioration. Replace burner if necessary.
	3. Replace ember materials with new dime-size and shape pieces. Do not block ports or obstruct lighting paths.
	4. Check for smooth lighting and ignition carryover to all ports. Verify there is no ignition delay.
	5. Inspect for lifting or other flame problems.
	6. Inspect orifice for soot, dirt or corrosion.
	7. Verify manifold and inlet pressures. Adjust regulator as required.
	8. Inspect pilot flame strength. Clean or replace orifice as necessary.
	9. Inspect thermocouple/thermopile or IPI sensor rod for soot, corrosion and deterioration. Clean with emery cloth or replace as required.
Flueing	1. Inspect venting for blockage or obstruction such as bird nests, leaves, etc.
	2. Confirm that termination cap remains clear and unobstructed by plants, etc.
	3. Verify that termination cap clearance to subsequent construction (building additions, decks, fences or sheds) has been maintained.
	4. Inspect for corrosion or separation.
	5. Verify weather stripping, sealing and flashing remains intact.
Remote controls	1. Verify operation of remote.
	2. Replace batteries in remote transmitters and battery-powered receivers.
Carbon Deposition	1. Appliances incorporating a live fuel effect, and designed to operate with luminous flames, may exhibit slight carbon deposition.

## C. Vent Components Diagrams

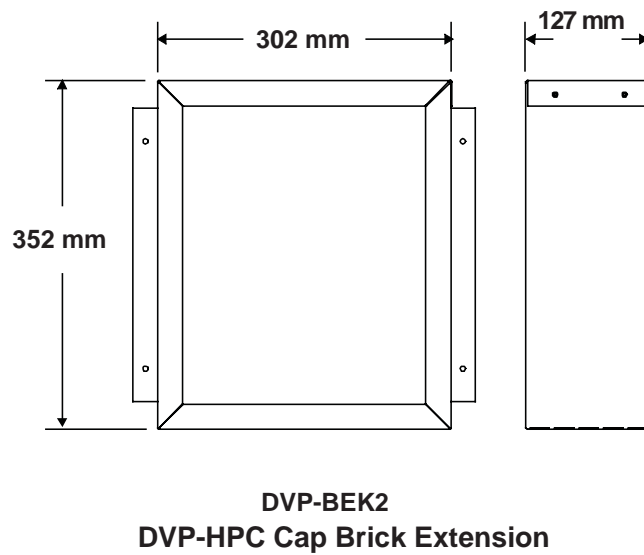
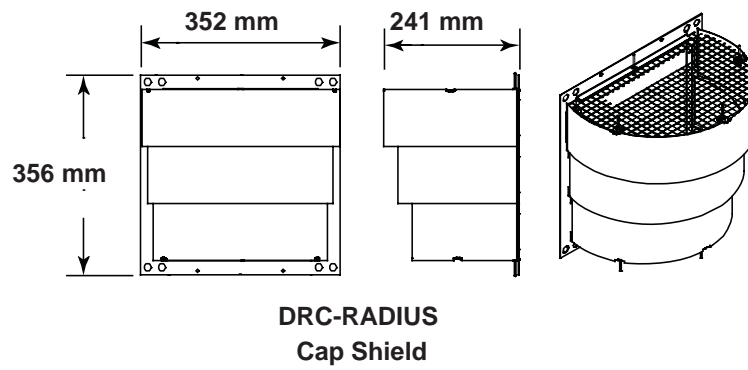
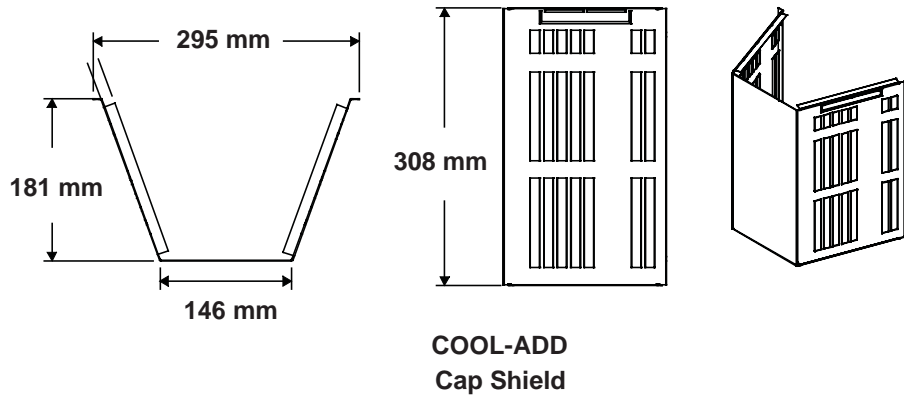
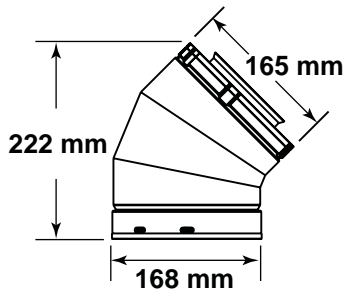
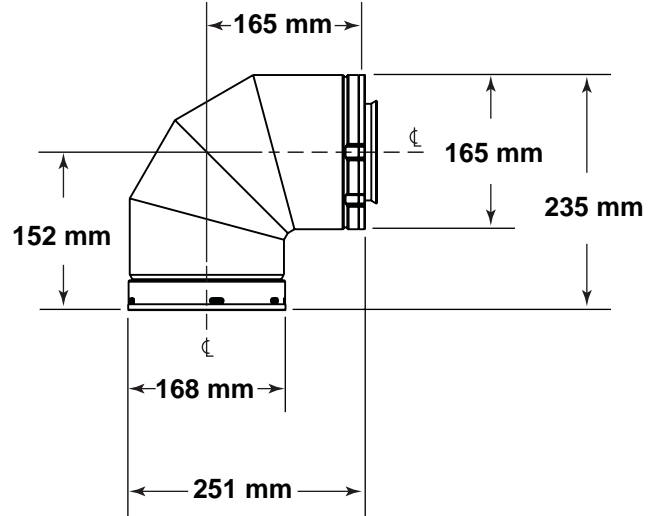


Figure 17.2 Vent Components

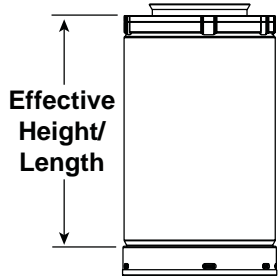
C. Vent Components Diagrams (continued)



SLP-45 - 45° Elbow



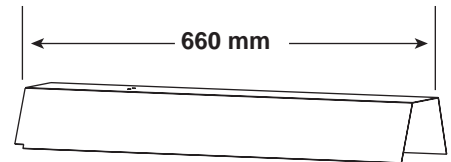
SLP90- 90° Elbow



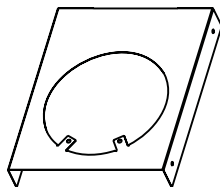
SLP-PIPE

Effective Height/Length

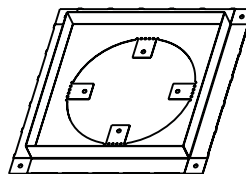
Pipe	mm
SLP4	102
SLP6	152
SLP12	305
SLP24	610
SLP36	914
SLP48	1219
SLP6A	51-152
SLP12A	51-305



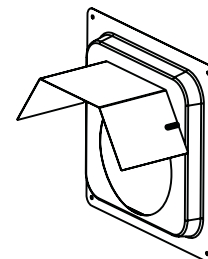
DVP-HSM-B  
Extended Heat Shield



SLP-HVS  
Horizontal Pipe  
Support



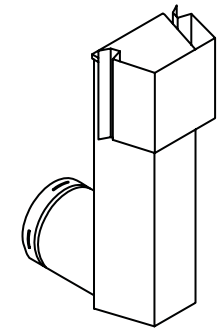
SLP-FS  
Ceiling Firestop



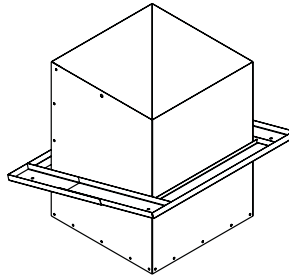
SLP-WS  
Wall Shield Firestop

Figure 17.5 SLP Series Vent Components

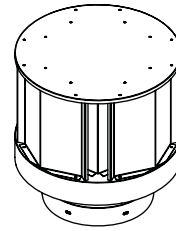
C. Vent Components Diagrams (continued)



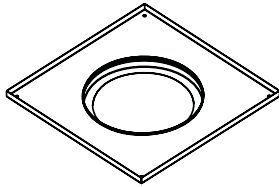
**SLK-SNKD**  
Snorkel  
Termination Cap



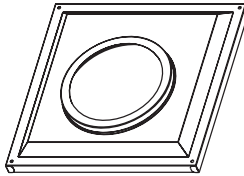
**SLP-CCS-BK**  
Cathedral Ceiling  
Support Box-Black



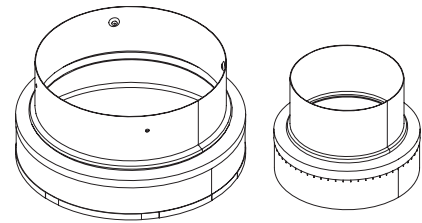
**SLP-TVHW**  
Vertical  
Termination Cap



**SLP-DCF-BK**  
Ceiling Firestop  
Black



**SLP-WT-BK**  
Wall Thimble-Black



**SL-2DVP**  
Adapter

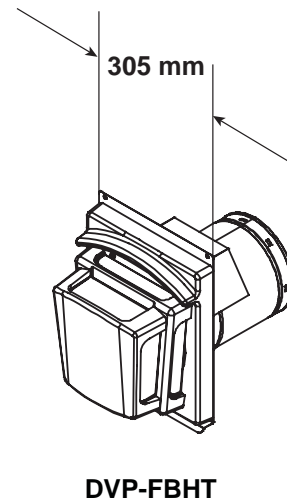
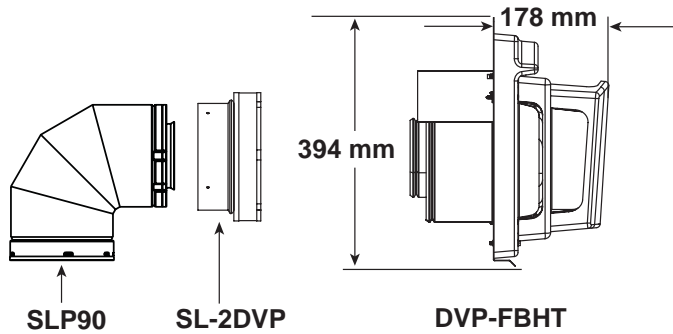
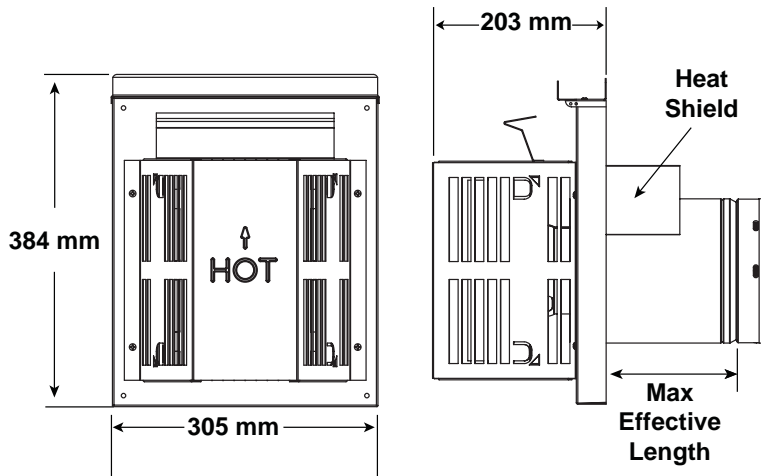


Figure 17.6 SLP Series Vent Components

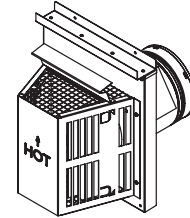


### C. Vent Components Diagrams (continued)

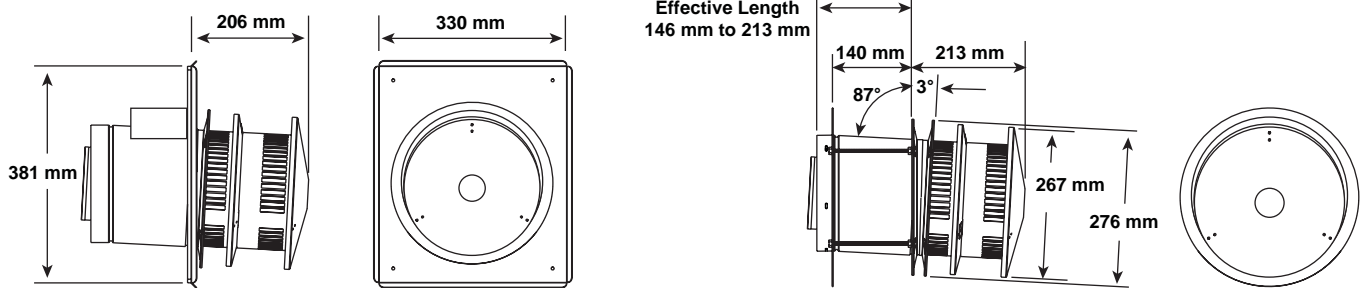
Note: Heat shields **MUST** overlap by a minimum of 38 mm. The heat shield is designed to be used on a wall 102 mm to 184 mm thick. If wall thickness is less than 102 mm the existing heat shields must be field trimmed. If wall thickness is greater than 184 mm a DVP-HSM-B will be required.



**SLP-TRAP**  
Horizontal Termination Cap

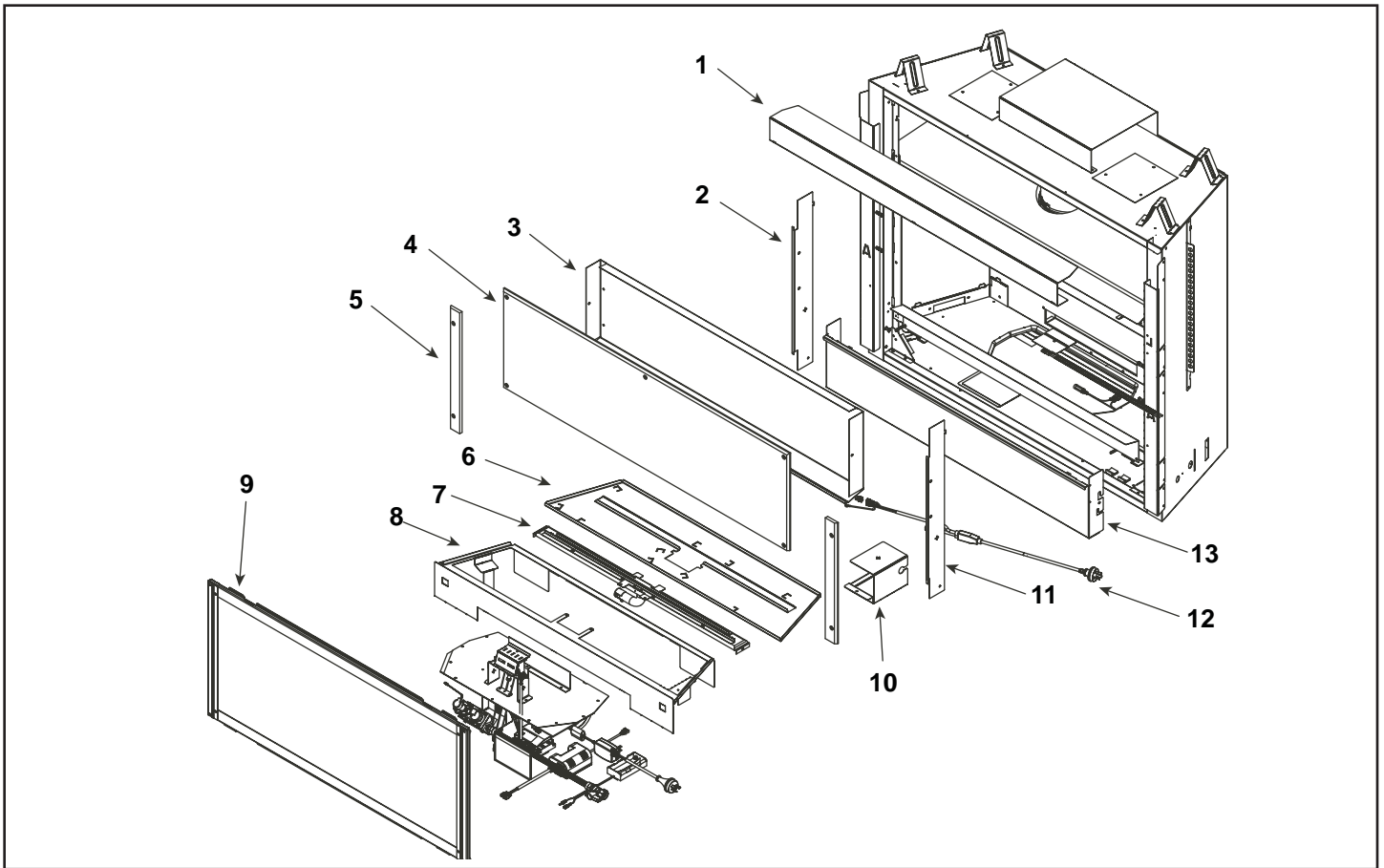


Term Cap	Minimum Effective Length	Maximum Effective Length
Trap	133 mm 5-1/4 in.	235 mm 9-1/4 in.



**SLP-HRC-SS**  
**SLP-HRC-ZC-SS**  
HORIZONTAL TERMINATION CAP

Figure 17.7 SLP Series Vent Components

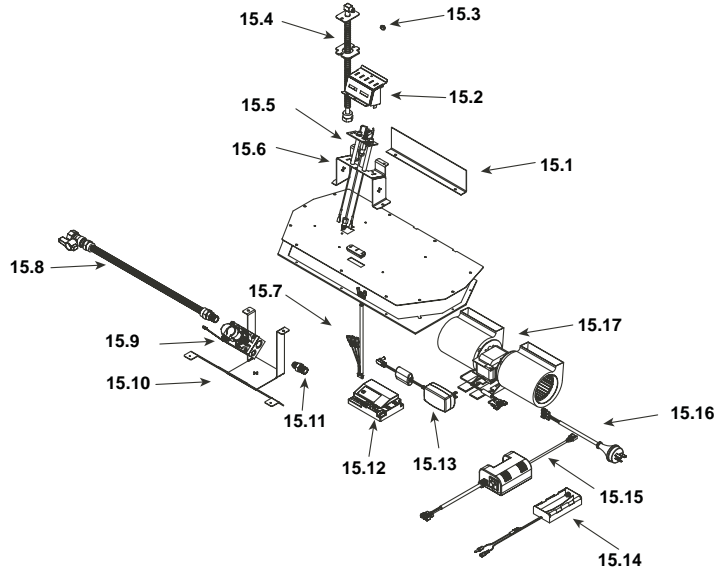


**IMPORTANT: THIS IS DATED INFORMATION.** When requesting service or replacement parts for your appliance please provide model number and serial number. All parts listed in this manual may be ordered from an authorized dealer.

ITEM	DESCRIPTION	COMMENTS	PART NUMBER
1	Sheet Rock Ledge, 10 mm		2264-147
2	Finish Edge, Left, 10 mm		2264-123
3	Top Panel Finishing Edge		2184-102
4	Non Combustible Board, Top, 10 mm		2264-403
5	Non Combustible Board, Side, 10 mm	Qty 2 req	2264-411
6	Media Tray		2264-118
7	Burner N		2264-007
	Burner P & B		2264-008
8	Base Pan		2264-117
9	Glass Door Assembly		GLA-XLR-PLUS
10	Bracket, J-Box		2264-154
11	Finish Edge, Right, 10 mm		2264-122
12	Junction Cord		2222-374
13	Lower Cover Panel		2264-103

Additional service part numbers appear on following page.

### #15 Valve Assembly



IMPORTANT: THIS IS DATED INFORMATION. When requesting service or replacement parts for your appliance please provide model number and serial number. All parts listed in this manual may be ordered from an authorized dealer.

ITEM	DESCRIPTION	COMMENTS	PART NUMBER
15.1	Bracket		2143-143
15.2	Pilot Shield		2184-123
15.3	Orifice N (#42C)		582-842
	Orifice B (#55C)		582-855
	Orifice P (.057C)		582-057
15.4	Bulkhead W/Flex Tube		383-302A
15.5	Pilot Assembly N		2208-012
	Pilot Assembly P & B		2208-013
15.6	Pilot Bracket		2264-174
15.7	Module Wire Assembly		2166-304
15.8	Flex Ball Valve Assembly		2098-320A
15.9	Valve N		2166-302
	Valve P & B		2166-303
15.10	Valve Bracket		2264-153
15.11	Male Connector	Pkg of 5	303-315/5
15.12	Module, Gray		2166-306
15.13	DC Regulator		2166-305
15.14	Battery Pack		4067-223
15.15	Aux300 CE		2166-340
15.16	Jumper Wire		2166-375
15.17	Fan Kit		GFK-240V

Additional service part numbers appear on following page.



