

## TWIN 45mm Motorised Cellular Blind

### Product Information

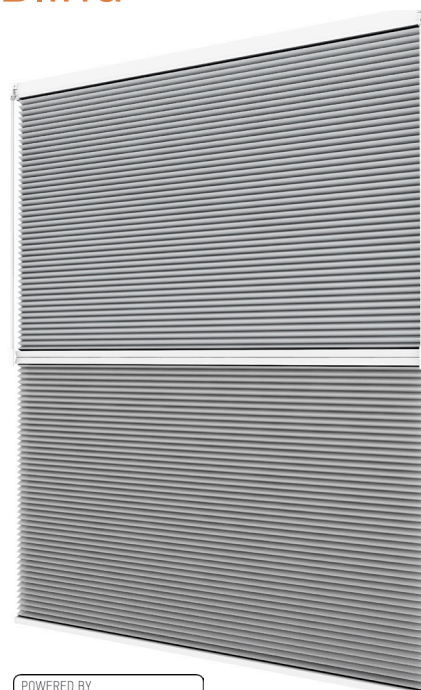
Verosol's **TWIN 45mm Motorised Cellular Blind** is a versatile blind practical for both day and night time use. A two-in-one cellular blind offering privacy without losing your view – select a sheer fabric and enjoy your day time view, and a blockout fabric for room darkening & insulation at night.

TWIN 45mm Motorised Cellular System is powered by Eve MotionBlinds, available with a variety of control options including remote control and smartphone APP control. Motorised 45mm Cellular blinds are the ultimate child safe blind.

Ideal solution for bedrooms & rooms requiring extra light control for video screens and audio visual presentations. In addition to the TWIN motorised, our TWIN 45mm cellular blinds are also available in mono control operation.

### Further Information

To find out more information phone Verosol Customer Care on 1800 721 404 or visit [www.verosol.com.au](http://www.verosol.com.au)



POWERED BY  
**eve.** | MOTIONBLINDS

### Technical Information

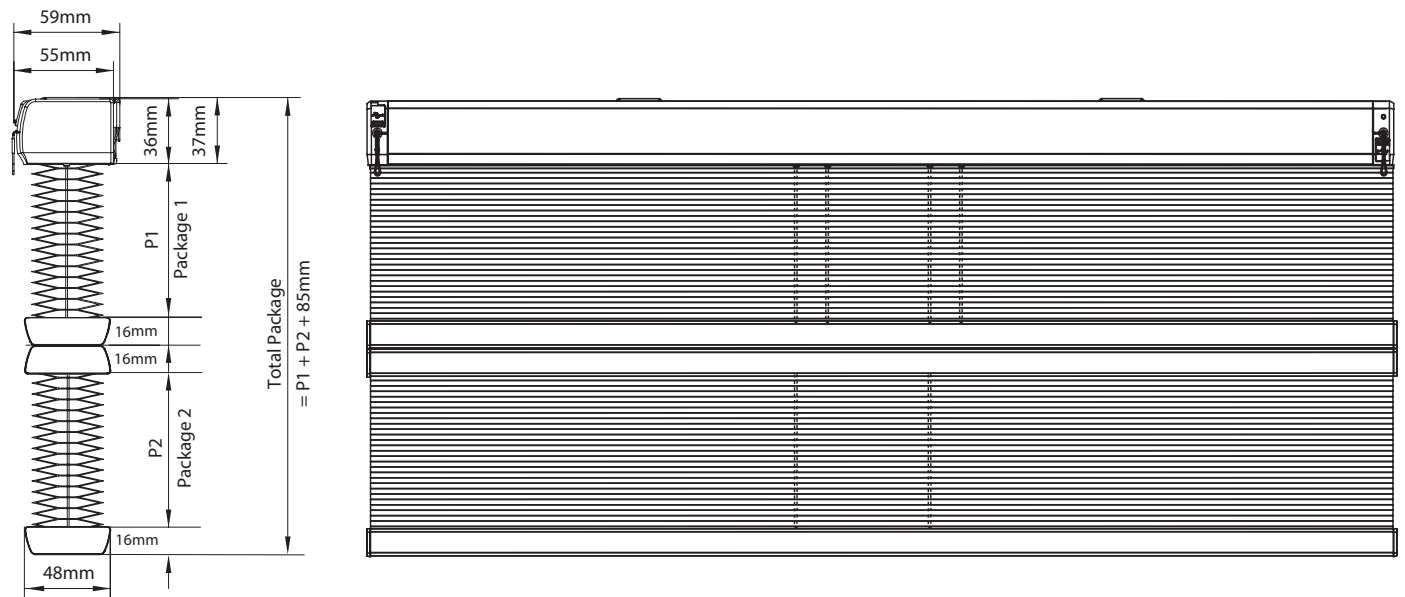
Product Code	<b>P402.4</b>	
Product Name	<b>TWIN 45mm Motorised Cellular Blind</b>	
Operation	Hand Operation	
Dimensions	Width	840mm minimum - 3500mm maximum
	Drop	400mm minimum - 3500mm maximum
	Maximum Area	10m <sup>2</sup>
Head Rail	Material	Extruded Aluminium Alloy
	Dimensions	52mm W x 36mm H
Bottom Rail	Material	Extruded Aluminium Alloy
	Dimensions	48mm W x 16mm H
	Colours	Coordinated - White, Off White, Silver, Sand, Taupe, Bronze, Anthracite, Black
	Paint	Powder Coated
Inner Rail	Material	H-PVC
End Caps	Material	UV Stabilised Acrylonitrile Butadiene Styrene [ABS] Plastic
	Colour	Coordinated - White, Off White, Silver, Sand, Taupe, Bronze, Anthracite, Black
Lift Cords	Material	Braided Polyester [minimum diamter: 0.8mm]
	Colour	Coordinated
Motor Unit	Type	Wireless Eve MotionBlinds
		12V DC   0.6Nm   34rpm - speed selectable via APP   65dB at 34rpm
Installation Brackets	Material / Operation	Press formed spring steel, powder coated   Top or Face Fixing - concealed when installed
	Colour	Coordinated - White, Off White, Silver, Sand, Taupe, Bronze, Anthracite, Black

Turn over for motorised options

# TWIN 45mm Motorised Cellular Blind

## System Diagram

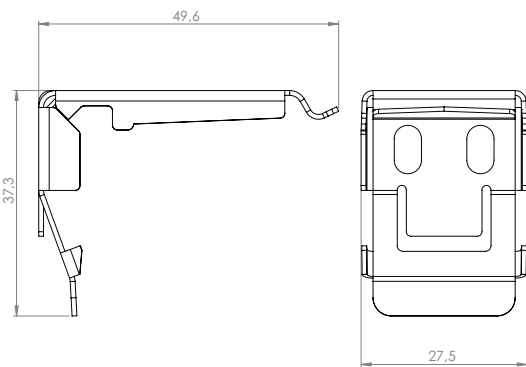
TWIN Motorised 45mm Cellular Blind



## Motorisation Options

Motor Type	Type	Wireless Eve MotionBlinds
		12V DC   0.6Nm   34rpm - speed selectable via APP   65dB at 34rpm
	Technology	Wireless   Thread   Matter
	Control Options	Hand Pull   Remote Control   Smartphone APP   Wireless wall and desktop switches
	Power Supply	Battery
	Input	USB-C 5V
	Torque	0.6 Nm
	Speed	34 rpm
	Battery Capacity	8.3Wh 750mAh
Controls	Options	1 & 4 CH Wireless Wall Switch   4CH Wireless Desktop Switch   1, 4, 15 CH Remote Control
	Smart Home	EVE Motion Blinds Smartphone APP   Apple HomeKit

## Universal Installation Bracket - Face or Reveal Fixing



POWERED BY  
eve. | MOTIONBLINDS



## Motorised Controls Cord Pull | Chain Pull | Wand Pull



## Rail Colours

