

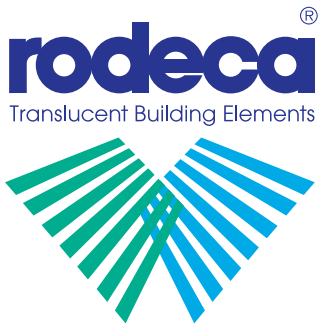


RT-Roof Lights

RT-Dachlichtbänder



RT-Roof Lights



RT-Roof Lights

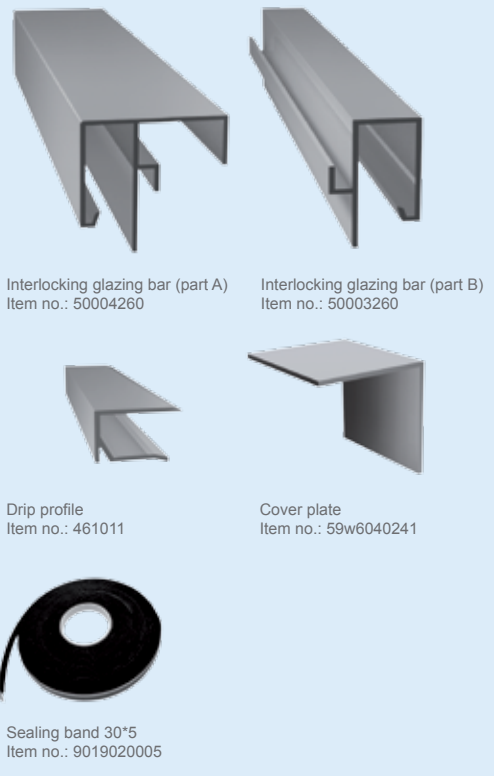
 Translucent Building Elements
Lichtbauelemente
  Multi Function Panels
Multi-Funktions-Paneele
  U-Panels
U-Paneele

RT-Roof Lights

Applications

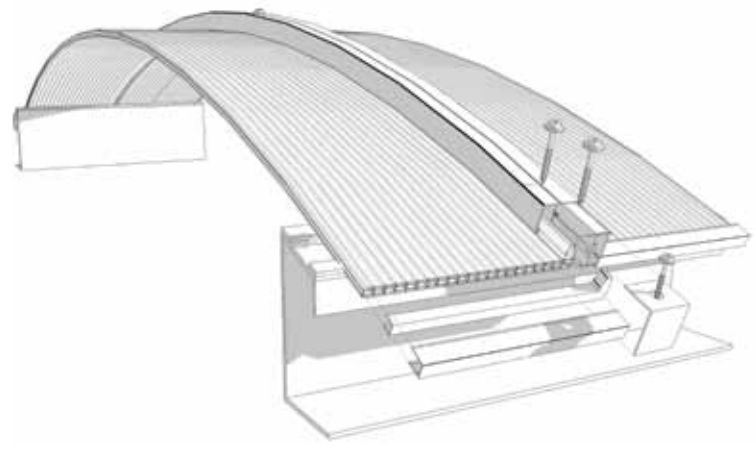
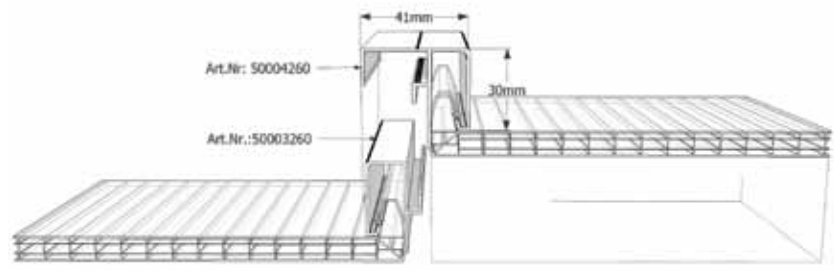
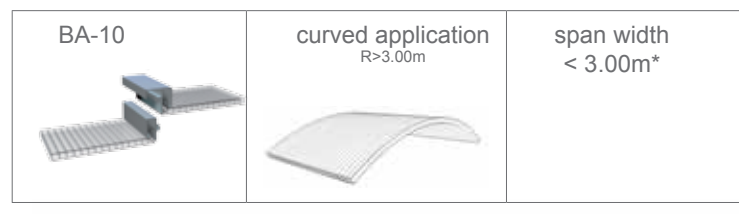
- Roofing and canopies
- Ventilation
- Sports and industrial buildings
- Roofing
- Roof lights - flat and curved
- Natural smoke and heat release
- Carports
- Refurbishments
- Ceiling covering open areas

Accessories



System BA-10

The system BA-10 is a curved roof light for span widths up to 3.00m.* The glazing is made of 10mm thick Polycarbonate U-Panels which lock in place into pre-curved aluminium profiles. The roof light is made of prefabricated modules which are connected to each other.



Glazing

PC 2600-10-4-U

Thickness (mm)	10
Building width (mm)	600 (+1/-1%)
Weight (kg/m ²)	approx. 2.30



* Recommended span width for load pressure of 1.00kN/m²






 RT-Thermolight
RT-Thermolight

 Multi Wall Sheets
Hohlkammerscheiben

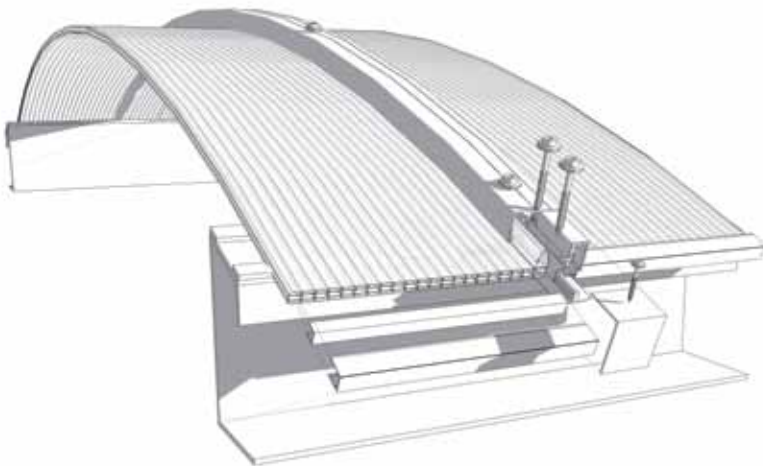
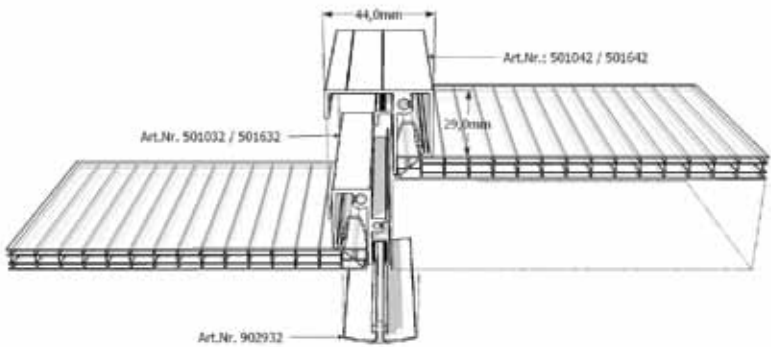
 Windows
Fenster

 Do it yourself
Do it yourself

System BA-16

The system BA-16 is a curved roof light for span widths up to 3.50m.* The glazing is made of 16mm thick Polycarbonate U-Panels which lock in place into pre-curved aluminium profiles. The system gasket offers additional heat insulation. The roof light is made of prefabricated modules which are connected to each other.

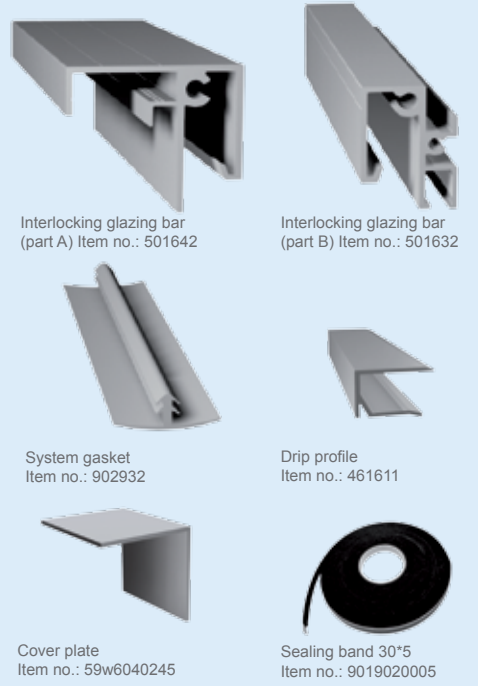
<p>BA-16</p> 	<p>curved application R > 3.50m</p> 	<p>span width < 3.50m*</p>
---	---	-----------------------------------



Advantages

- quick and easy installation
- both sides coextrusion possible
- translucent
- heat-insulating
- high temperature resistance
- versatile designing in shape, colour and function
- good long term performance through UV-protection
- 200 times tougher than glass
- Polycarbonate doesn't splinter

Accessories



Glazing



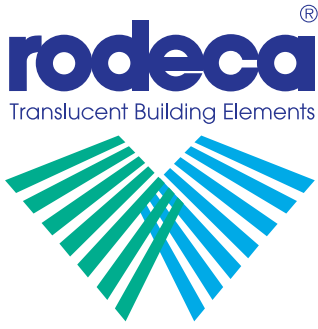
PC 2630-16-6-U

Thickness (mm)	16
Building width (mm)	630 (+1/-1%)
Weight (kg/m ²)	approx. 3.20

* Recommended span width for load pressure of 1.00kN/m²



RODECA GmbH
 Freiherr-vom-Stein-Straße 165
 D-45473 Mülheim an der Ruhr
 Fon +49 (0) 208 76502-0 | Fax +49 (0) 208 76502-11
 info@rodeca.de | www.rodeca.de



RT-Roof Lights

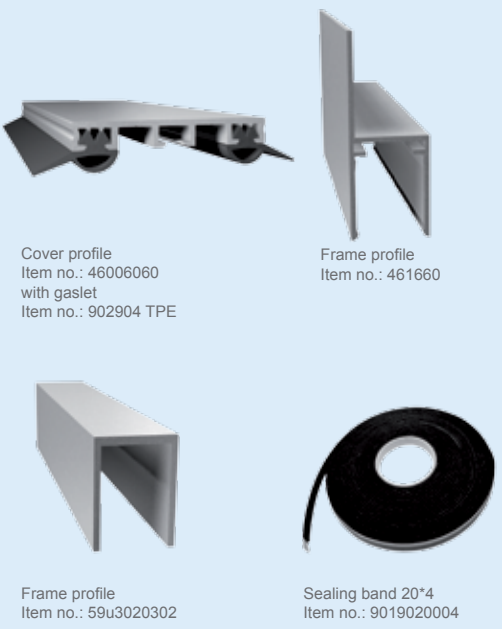
- Translucent Building Elements
Lichtbauelemente
- Multi Function Panels
Multi-Funktions-Paneele
- U-Panels
U-Paneele

RT-Roof Lights

Head pieces for the systems BA-10 / BA-16

The head pieces of the systems BA-10 and BA-16 are made of 16mm thick Multi Wall Sheets framed in aluminium profiles.

Accessories

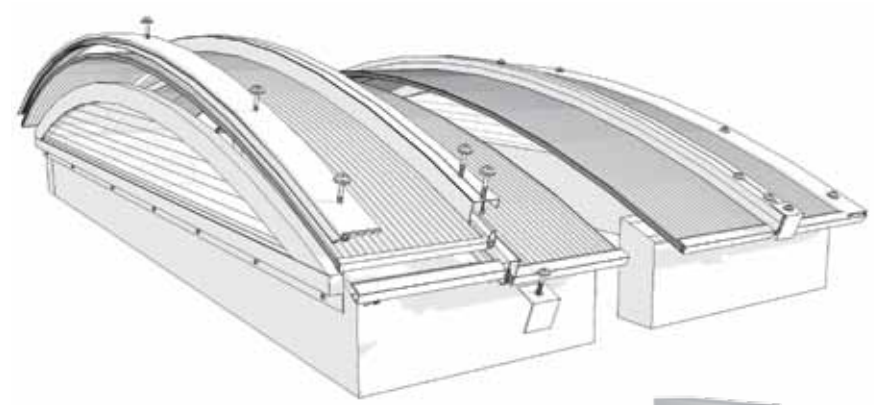
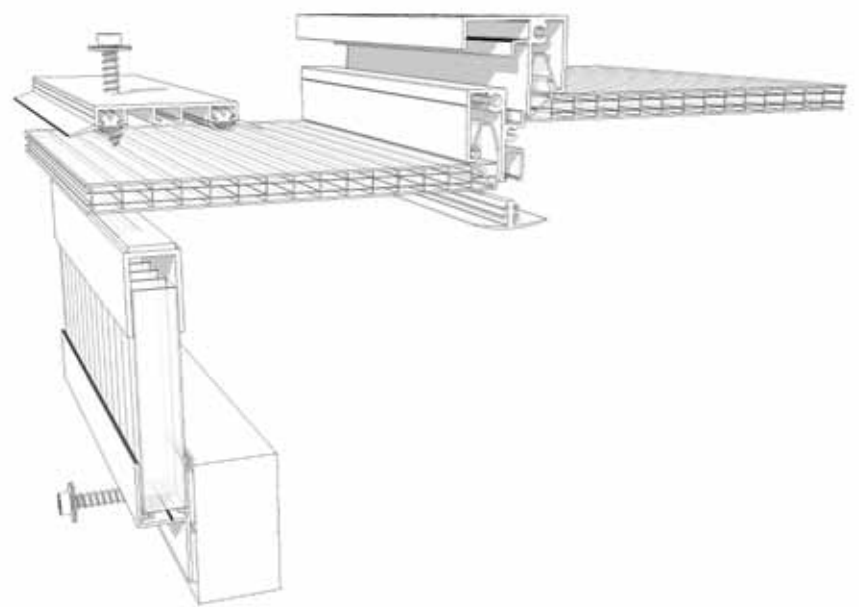


Cover profile
Item no.: 46006060
with gasket
Item no.: 902904 TPE

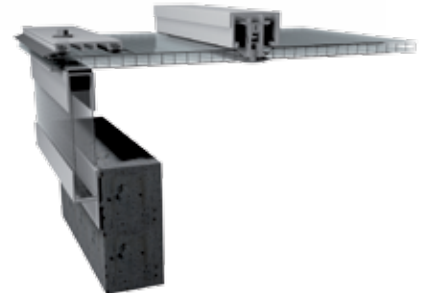
Frame profile
Item no.: 461660

Frame profile
Item no.: 59u3020302

Sealing band 20*4
Item no.: 9019020004



Glazing



MWS 16-7

Thickness (mm)	16
Weight (kg/m ²)	approx. 2.60





RT-Thermolight
RT-Thermolight

Multi Wall Sheets
Hohlkammerscheiben

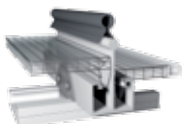
Windows
Fenster

Do it yourself
Do it yourself


System BFA-10 / BFA-16

The system BFA-10 respectively BFA-16 is a curved roof light for span width up to 5.50m.* The glazing consists of optionally 10mm or 16mm thick Polycarbonate U-Panels, locked into pre-curved aluminium profiles. The load bearing construction of the BFA roof light is an aluminium glazing bar supported on fixing shoes.

BFA-10/16

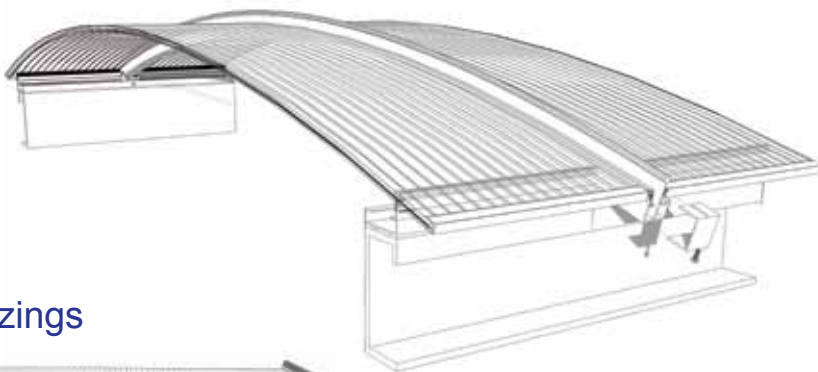
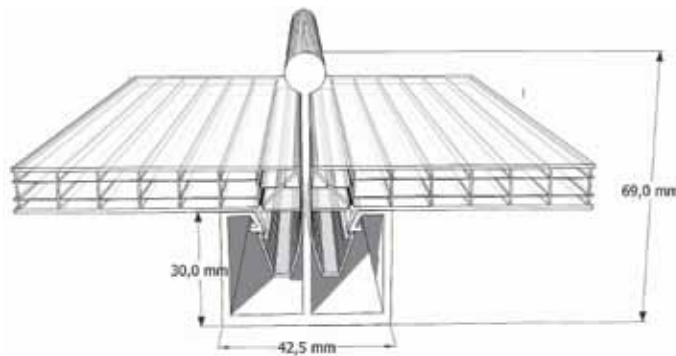


curved application
R>4,00m



span width
< 5.50m*

* Recommended span width
for load pressure of 1.00kN/m²



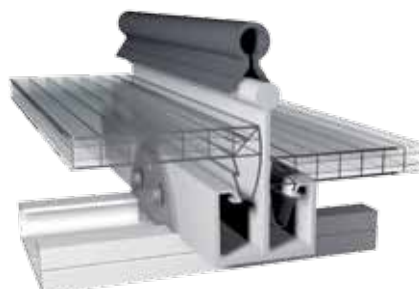
Glazings

PC 2600-10-4-U

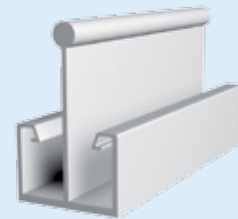
Thickness (mm)	10
Building width (mm)	600 (+1/-1%)
Weight (kg/m²)	approx. 2.30

PC 2630-16-6-U

Thickness (mm)	16
Building width (mm)	630 (+1/-1%)
Weight (kg/m²)	approx. 3.20



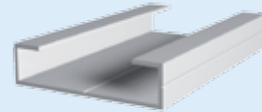
Accessories



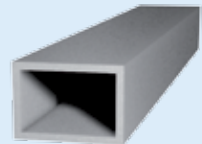
Glazing bar
Item no.: 50003360



Fixing shoe
Item no.: 594001



Base profile
Item no.: 594003



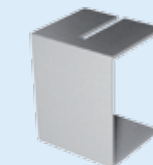
Side profile
Item no.: 59v40303



Gasket
Item no.: 902108



Cover profile
Item no.: 46006060
with gasket
Item no.: 902904 TPE



End profile
Item no.: 595310 for 10mm
Item no.: 595316 for 16mm



Sealing band 20*4
Item no.: 9019020004



Drip profile
Item no.: 461011 for 10mm
Item no.: 461611 for 16mm



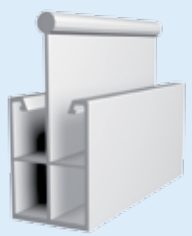
Gasket angle
Item no.: 59w30202
with gasket
Item no.: 899921



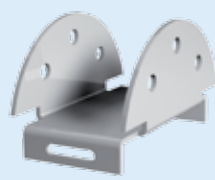
RT-Roof Lights

RT-Roof Lights

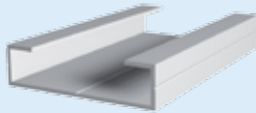
Accessories



Glazing bar
Item no.: 50003160



Fixing shoe
Item no.: 594001



Base profile
Item no.: 594003



Side profile
Item no.: 59v60403



Gasket Item no.: 902108 for 10&16mm panels



Cover profile
Item no.: 46006060 with gasket
Item no.: 902904 TPE



End profile
Item no.: 595110 10mm panel
Item no.: 595116 16mm panel



Sealing band 20*4
Item no.: 9019020004



Drip profile
Item no.: 461011 10mm panel
Item no.: 461611 16mm panel



Gasket angle
Item no.: 59w60202 with gasket
Item no.: 899921

System BFVA-10 / BFVA-16

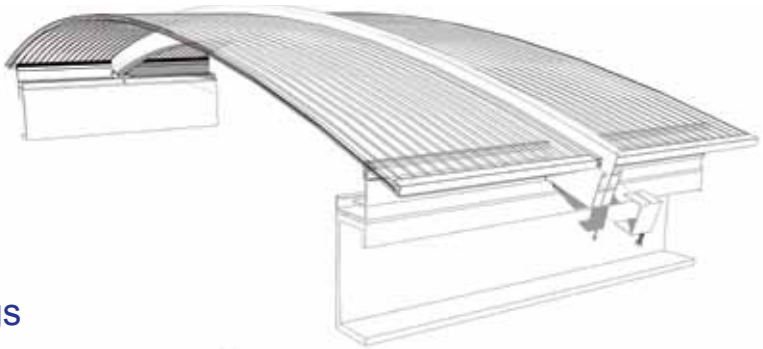
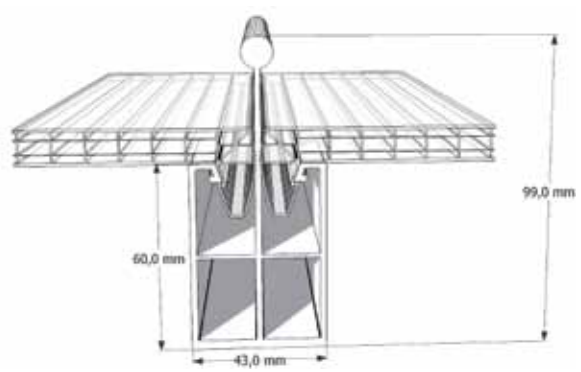
The system BFVA-10 respectively BFVA-16 is a curved roof light for span width up to 6.50m.* The glazing optionally is made of 10mm or 16mm thick Polycarbonate U-Panels, which lock in place into previously curved aluminium profiles, through a clip connection. The load bearing construction of the BFVA roof light is made of reinforced aluminium glazing bars framed in fixing shoes.

BFVA-10/16

curved application
R>5.00m

span width
< 6.50m*

* Recommended span width for load pressure of 1.00kN/m²



Glazings



PC 2600-10-4-U	
Thickness (mm)	10
Building width (mm)	600 (+1/-1%)
Weight (kg/m ²)	approx. 2.30



PC 2630-16-6-U	
Thickness (mm)	16
Building width (mm)	630 (+1/-1%)
Weight (kg/m ²)	approx. 3.20






 RT-Thermolight
RT-Thermolight

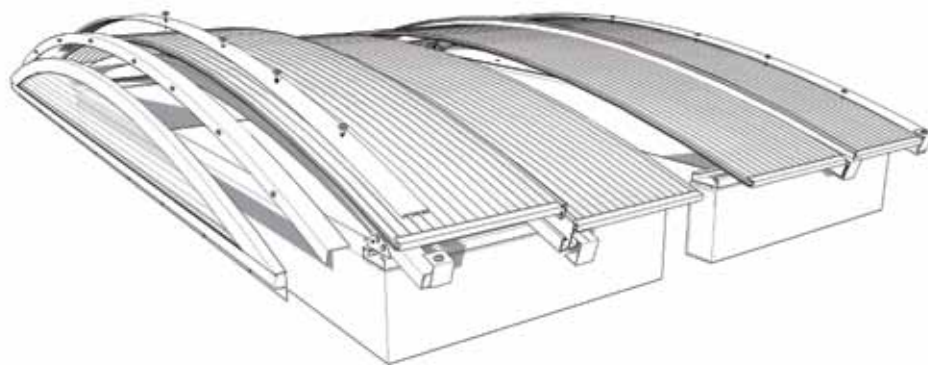
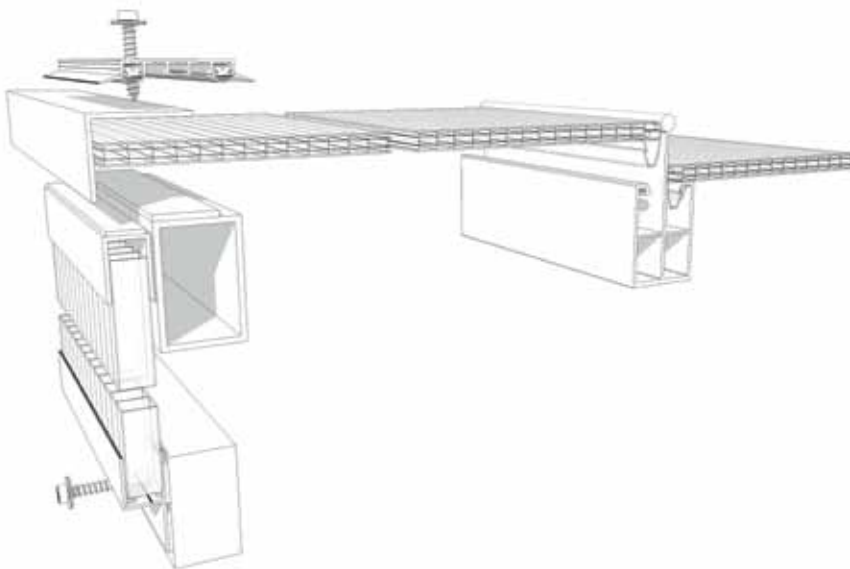
 Multi Wall Sheets
Hohlkammerscheiben

 Windows
Fenster

 Do it yourself
Do it yourself

Head pieces for systems BFA / BFVA

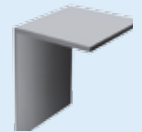
The head pieces of the systems BFA-10 / BFA -16 as well as for the systems BFVA-10/ BFVA-16 are made of 16mm thick Multi wall sheets framed in aluminium profiles.



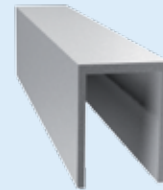
Accessories



Cover profile
Item no.: 46006060
with gasket
Item no.: 902904 TPE



Cover plate
Item no.: 59w40302



Frame profile
Item no.: 59u3020302



Frame profile
Item no.: 461660



Side profile
Item no.: 59v60403 or
Item no.: 59v40303



Sealing band 20*4
Item no.: 9019020004

Glazing

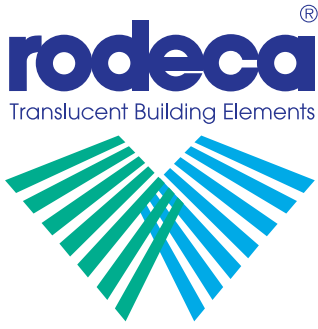


MWS 16-7

Thickness (mm)	16
Weight (kg/m ²)	approx. 2.60



RODECA GmbH
Freiherr-vom-Stein-Straße 165
D-45473 Mülheim an der Ruhr
Fon +49 (0) 208 76502-0 | Fax +49 (0) 208 76502-11
info@rodeca.de | www.rodeca.de



RT-Roof Lights

 Translucent Building Elements / Lichtbauelemente
  Multi Function Panels / Multi-Funktions-Paneele
  U-Panels / U-Paneele

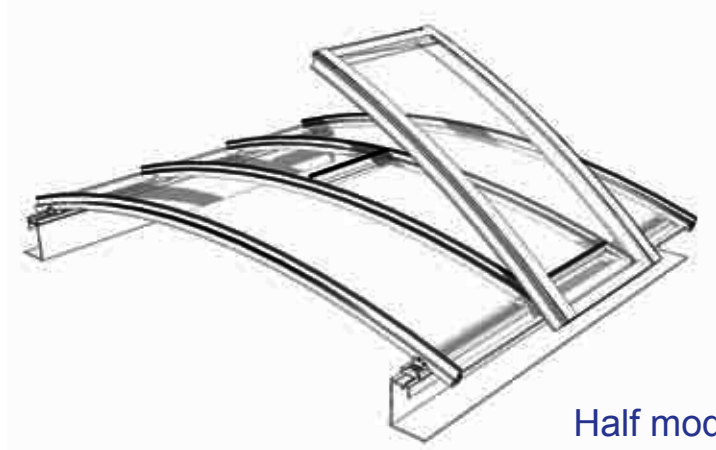
RT-Roof Lights

Ventilation flaps

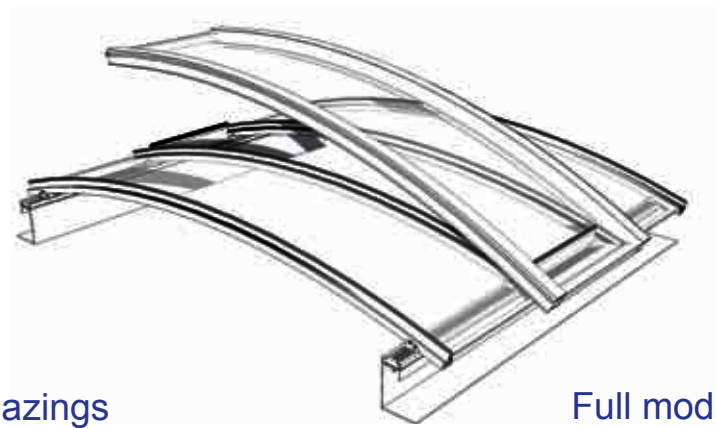
- Suitable for all curved Rodeca roof lights
- **Version half module vent**
Maximum dimensions: depending on loads - prior consultation necessary
- **Version full module vent**
Maximum dimensions: depending on loads - prior consultation necessary
- Drive with 230V spindle actuator optionally 300mm or 500mm hub
- Glazing with 10mm, 16mm or 20mm thick Multi Wall Sheets

Ventilation flaps for systems BA-10/16 / BFA-10/16 / BVA-10 /16

Rodeca ventilation flaps are customized to length, width and radius of the chosen roof light. The glazing can be made optionally with 10mm,16mm or 20mm Multi Wall Sheets.



Half module vent



Full module vent



MWS 10-4

Thickness (mm)	10
Weight (kg/m ²)	approx. 1.75



MWS 16-7

Thickness (mm)	16
Weight (kg/m ²)	approx. 2.60



MWS 20-7

Thickness (mm)	20
Weight (kg/m ²)	approx. 2.90






 RT-Thermolight
RT-Thermolight

 Multi Wall Sheets
Hohlkammerscheiben


 Windows
Fenster

 Do it yourself
Do it yourself


System FA-10 / FA-16 / FA-20

The systems FA-10, FA-16 respectively FA-20 are roof lights for pitched usage from 5° and for span width up to 2.50m.* The glazing is made optionally of 10mm, 16mm or 20mm thick Polycarbonate U-Panels, which lock into aluminium profiles. The load bearing construction of the FA roof lights is made of aluminium glazing bars on fixing shoes.

FA-10 / 16 / 20

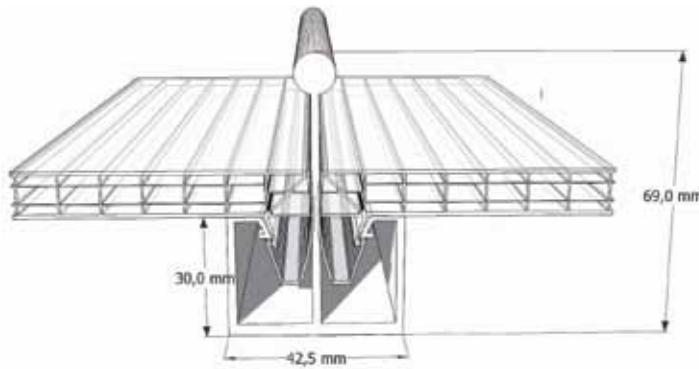


pitched application
> 5°

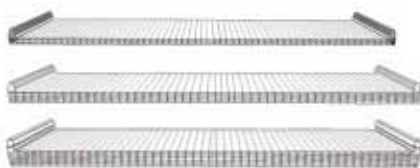


span width
< 2.50m*

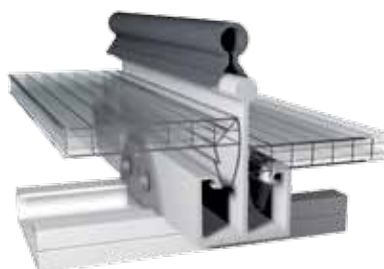
* Recommended span width for load pressure of 1.00kN/m²



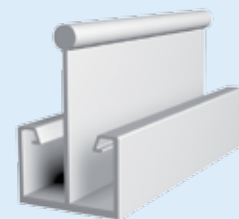
Glazings



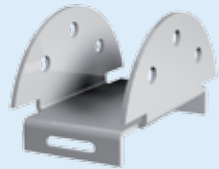
Panel	Thickness (mm)	Building width (mm)	Weight (kg/m²)
PC 2600-10-4-U	10	600 (+1/-1%)	approx. 2.30
PC 2630-16-6-U	16	630 (+1/-1%)	approx. 3.20
PC 2630-20-6-U	20	630 (+1/-1%)	approx. 3.40



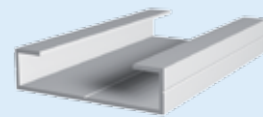
Accessories



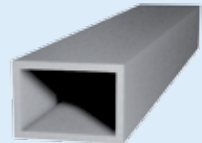
Glazing bar
Item no.: 50003360



Fixing shoe
Item no.: 594001



Base profile
Item no.: 594003



Side profile
Item no.: 59v40303



Gasket
Item no.: 902108 10&16mm panel
Item no.: 902109 20mm panel



Cover profile
Item no.: 46006060 with gasket
Item no.: 902904 TPE



End profile
Item no.: 595310 10mm panel
Item no.: 595316 16mm panel
Item no.: 595320 20mm panel



Sealing band 20*4
Item no.: 9019020004



Drip profile
Item no.: 461011 10mm panel
Item no.: 461611 16mm panel
Item no.: 462011 20mm panel



Gasket angle
Item no.: 59w30202 with gasket
Item no.: 899921

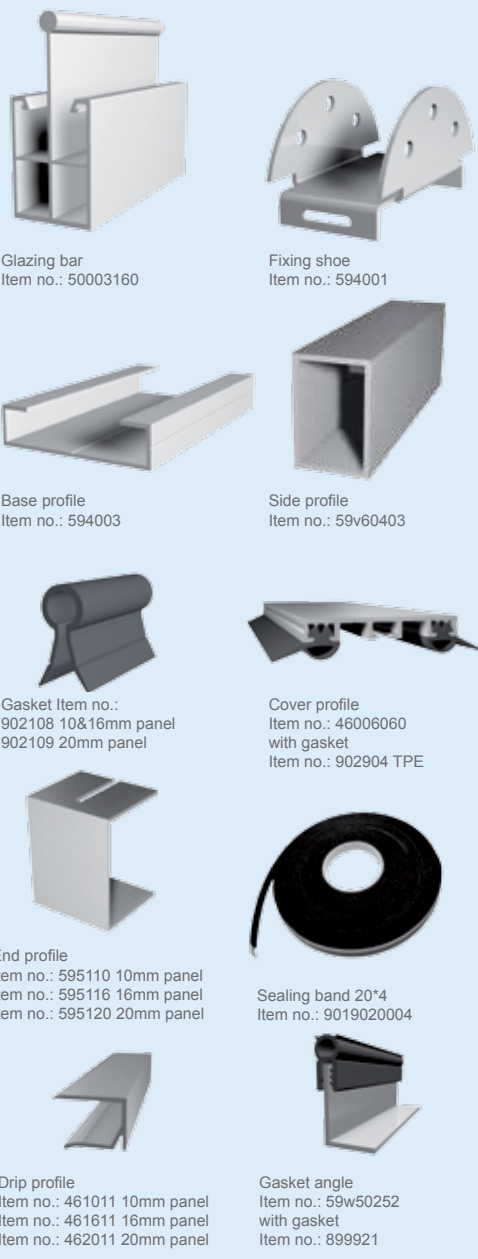
RODECA GmbH
Freiherr-vom-Stein-Straße 165
D-45473 Mülheim an der Ruhr
Fon +49 (0) 208 76502-0 | Fax +49 (0) 208 76502-11
info@rodeca.de | www.rodeca.de



RT-Roof Lights

RT-Roof Lights

Accessories



System VFA-10 / VFA-16 / VFA-20

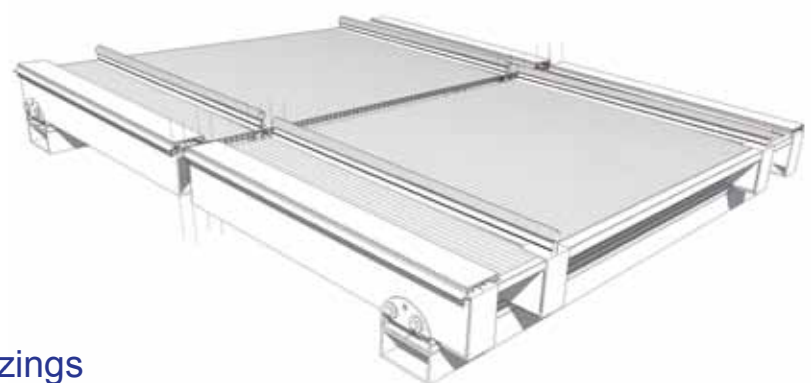
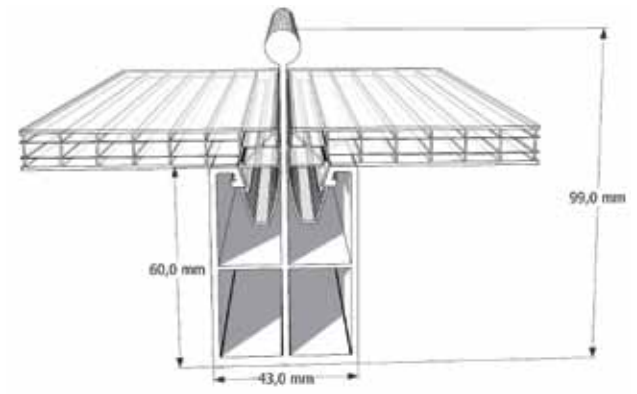
The systems VFA-10, VFA-16 respectively VFA-20 are roof lights for pitched usage from 5° and span widths up to 3.50m.* The glazing is made optionally of 10mm, 16mm or 20mm thick Polycarbonate U-Panels which lock into aluminium profiles. The load bearing construction of the VFA roof light is made of reinforced aluminium glazing bars supported on fixing shoes.

VFA-10/16/20

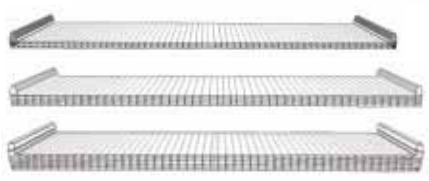
pitched application
> 5°

span width
< 3.50m*

* Recommended span width for load pressure of 1.00kN/m²



Glazings



Panel	Thickness (mm)	Building width (mm)	Weight (kg/m²)
PC 2600-10-4-U	10	600 (+1/-1%)	approx. 2.30
PC 2630-16-6-U	16	630 (+1/-1%)	approx. 3.20
PC 2630-20-6-U	20	630 (+1/-1%)	approx. 3.40






 RT-Thermolight
RT-Thermolight

 Multi Wall Sheets
Hohlkammerscheiben


 Windows
Fenster

 Do it yourself
Do it yourself


System SVFA-10 / SVFA-16 / SVFA-20

The systems SVFA-10, SVFA-16 respectively SVFA-20 are roof lights for pitched usage from 5° and span widths up to 4.00m.* The glazing is made optionally of 10mm, 16mm or 20mm thick Polycarbonate U-panels which lock into aluminium profiles. The load bearing construction of the SVFA roof light is made of reinforced aluminium glazing bars supported on fixing shoes.

SVFA-10/16/20

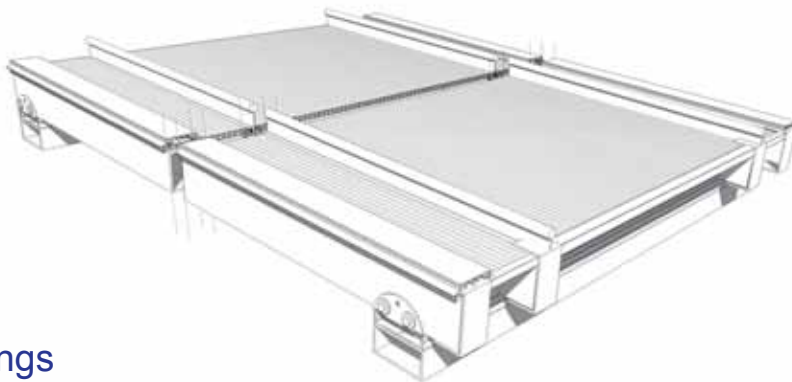
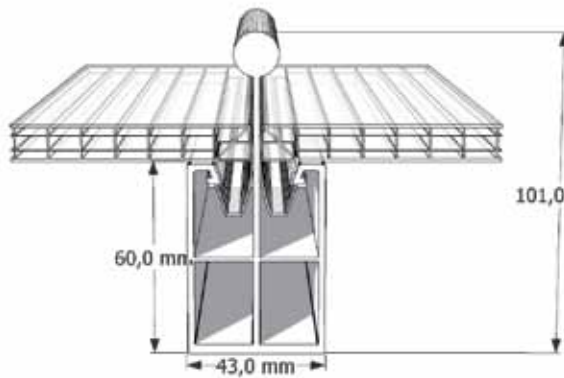


pitched application
> 5°

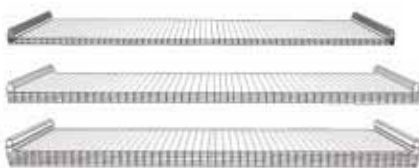


span width
< 4.00m*

* Recommended span width
for load pressure of 1.00kN/m²



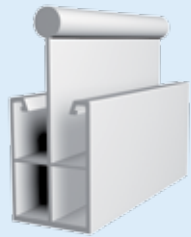
Glazings



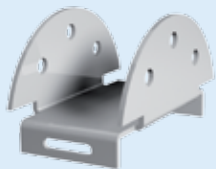
Panel	Thickness (mm)	Building width (mm)	Weight (kg/m ²)
PC 2600-10-4-U	10	600 (+1/-1%)	approx. 2.30
PC 2630-16-6-U	16	630 (+1/-1%)	approx. 3.20
PC 2630-20-6-U	20	630 (+1/-1%)	approx. 3.40



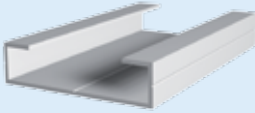
Accessories



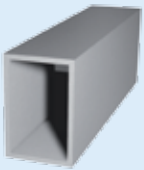
Glazing bar
Item no.: 50003560




Fixing shoe
Item no.: 594001




Base profile
Item no.: 594003




Side profile
Item no.: 59v60403




Gasket angle
Item no.: 59w50252
with gasket Item no.: 899921



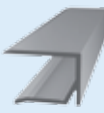
Cover profile
Item no.: 46006060
with gasket
Item no.: 902904 TPE



End profile
Item no.: 595110 10mm panel
Item no.: 595116 16mm panel
Item no.: 595120 20mm panel



Sealing band 20*4
Item no.: 9019020004



Drip profile
Item no.: 461011 10mm panel
Item no.: 461611 16mm panel
Item no.: 462011 20mm panel



Germany

RODECA GmbH
Freiherr-vom-Stein-Straße 165
D-45473 Mülheim an der Ruhr
Fon +49 (0) 208 76502-0
Fax +49 (0) 208 76502-11
info@rodeca.de
www.rodeca.de

United Kingdom

RODECA Ltd.
Bentalls House
Bentalls
Pipps Hill Industrial Estate
Basildon
Essex SS14 3BS
Fon + 44 (0) 1268 531466
Fax + 44 (0) 1268 526351
sales@rodeca.co.uk
www.rodeca.co.uk

Italy

ANSA Termoplastici S.r.l./RODECA Italy
Concessionaria per l'Italia di RODECA GmbH
Via Nazionale, 66
24060 Sovere (BG)
Fon +39 035 981431
Fax +39 035 982714
info@rodeca.it
www.rodeca.it

The Netherlands

RODECA Systems b.v.
Koperweg 11 N
2401 LH Alphen aan den Rijn
Fon +31 (0) 172 416 747
Fax +31 (0) 172 419 090
info@rodeca.nl
www.rodeca.nl

Belgium and Luxembourg

RODECA Systems BELUX bvba
Wupstraat 37
2812 Muizen/Mechelen
Mobile +32 (0) 468 137 677
Fax (NL) +31 (0) 172 419 090 (RODECA Systems b.v.)
info@rodeca.be
www.rodeca.be

South America

REPLAEX RESINAS PLÁSTICAS EXTRUDADAS LTDA
Autorizado America do Sul de RODECA GmbH
Estrada da Ligação, 839 - Taquara - Rio de Janeiro
RJ - BRASIL
cep. 22713-470
Fon : +55 (0) 21 2446-8811
Fax : +55 (0) 21 2446-7181
info@rodeca.com.br
www.rodeca.com.br
www.replaex.com.br

The RODECA product groups overview / Die RODECA Produktgruppen im Überblick:



Translucent Building Elements

Lichtbauelemente



Multi Wall Sheets

Hohlkammerscheiben



Multi Function Panels

Multi-Funktions-Paneele



U-Panels

U-Paneele



RT-Thermolight

RT-Thermolight



RT-Roof Lights

RT-Dachlichtbänder



Windows

Fenster



Do it yourself

Do it yourself