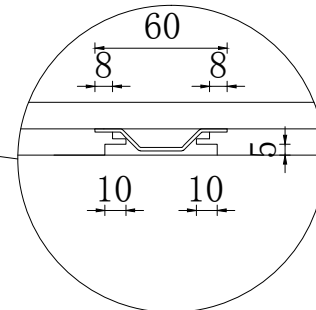
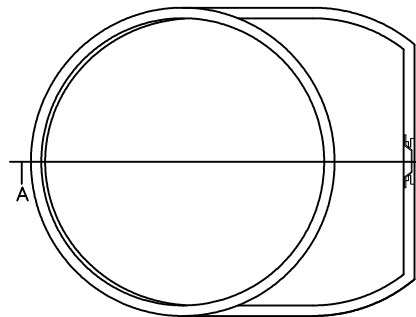
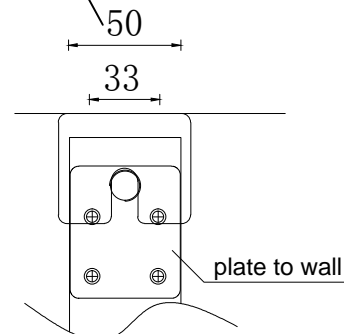


SECTION A-A
293



Built in wall bracket plate



Wall hang illustration