

Sentinel H23 Crank Arm Swing Gate Operator

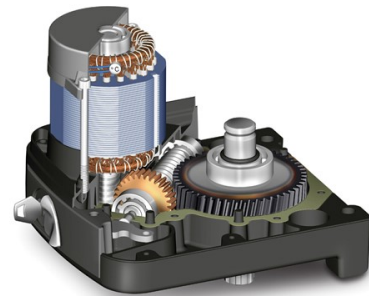
For heavy duty industrial gates - 100% duty cycle for intensive use



Fully adjustable operating speeds ensure safe movement of traffic.

The Sentinel H23 is a new state of the art solution for high duty cycle industrial swing gates.

The H23 will reliably operate a 2800mm gate leaf for up to 1900 operations per day.



Self locking gearbox and Brushless Motor

The elegant design and European manufacture combined with self locking gears and easily programmed multi function controller make this ideal for all types of high duty cycle industrial swing gates.

Included in the kit: two Nova radio control transmitters and one receiver, all mounting brackets, drive arms and external key release.

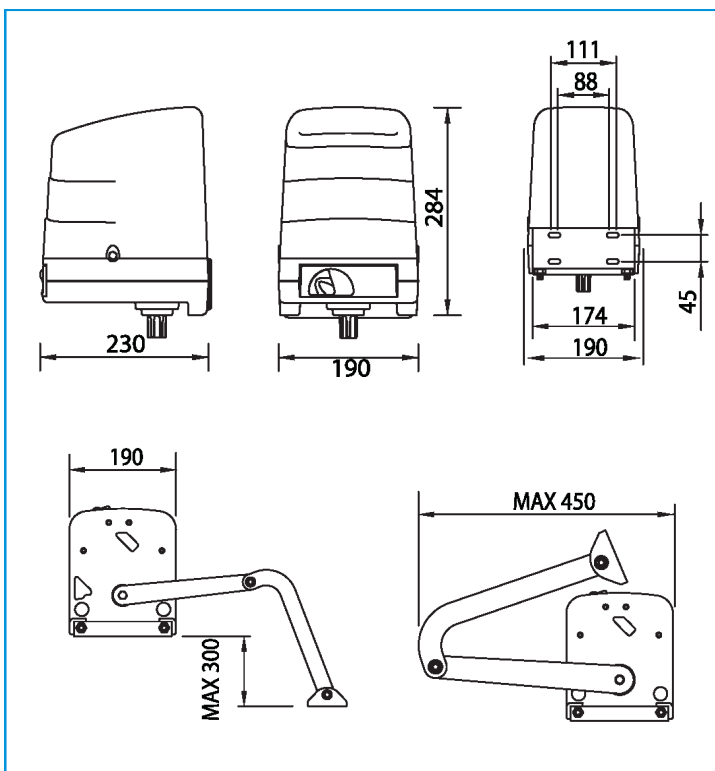
The Sentinel H23 Swing Gate Opener features:

- **Mechanically tough and durable:** the mechanical quality of the Sentinel H23 is exceptional featuring machined steel and bronze gears and high quality bearings.
- **Smooth operation:** The absolute encoder constantly monitors the speed and position of the gate. This allows the control panel to accurately ramp down the speed on closing providing a smooth operation and longer life.
- **Precision speed control:** The option to have various operating speeds aids the flow of traffic, slow for large trucks and faster for cars.
- **Security:** The strong gearbox and self locking mechanism prevents damage from vandalism as the gate cannot be forced.
- **Reliable and efficient:** The revolutionary brushless motor provides much greater efficiency - allowing up to 1900 operations per day with ultra low power consumption. Being brushless the motor saves time and money in maintenance.
- **Essential safety features are covered:** Optional loop detectors and safety beams ensure vehicles and pedestrians alike are protected.
- **Emergency release key:** the gearbox can be disengaged without removing the cover using the key provided.
- **Battery back up:** In areas where power problems exist there is an option for a battery back up kit.

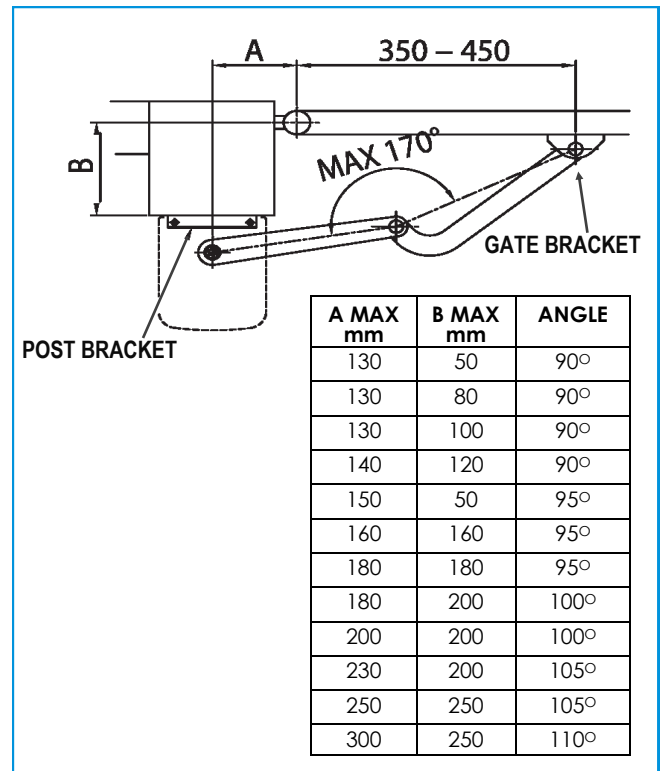
Technical Specifications

Specifications		Sentinel H23 Gate Opener	
Maximum Size and Weight	Leaf Size (Metres)	Max Weight (Kg)	
	1.5	250	
	2.0	215	
	2.8	150	
Frequency of Use	100%		
Operating cycles per day (opening/closing - 24 hours non stop)	1900 cycles		
Limit Switch	Absolute encoder with internal stops in opening and closing positions		
Gearbox	Irreversible steel worm gear		
Opening Time at 90°	12-20 s		
Protection Level	IP43		
Motor	24vdc		
Power supply	240vac		
Max Thrust	50 -280 N		
Power Rating	160W		
Operating Temperature	-20+55°		

Dimensions



Standard Installation



Rotech supply all forms of door and gate automation

Vehicle Access Control

- Booms Gates
- Sliding Gates
- Swing Gates
- Industrial Door Openers
- Solar Powered Gate Openers

Pedestrian Access Control

- Full Height Turnstiles
- Waist Height Turnstiles
- Supermarket Gates/Turnstiles
- Wheelchair Access Gates
- Rapid Access Gates

Fast | Safe | Secure