



Recoila

HOSE AND CORD REELS

STEEL SPRING REWIND REELS CATALOGUE

Steel & Stainless Steel

**RECOILA
HOSE REELS**

2013

Safer for workers • More productive for workplaces

HOSE REELS.

Our total, dedicated business.

We've been making hose reels for decades - over thirty years in fact - and it's this manufacturing wisdom, coupled with competitive pricing, knowledgeable staff, a wealth of technical information on-hand, and solid after-sales service that positions us firmly at the forefront of our industry.

Based in Sydney, Australia, with a well-stocked distribution centre in Auckland, New Zealand, ReCoila has a fully equipped production facility and a team of experts to ensure our reels are designed and manufactured to exacting standards.

With a comprehensive range of hose, cord and cable reels and a custom design and manufacturing facility, ReCoila can supply the right reel for your individual application - with safety and productivity in mind.

AUSTRALIAN MANUFACTURING - INTERNATIONAL DISTRIBUTION

ReCoila is a proudly Australian company based in Western Sydney, with distribution reach across Australia, New Zealand and internationally.

We have resellers strategically based in key metro and regional areas to ensure delivery to customers is as swift as possible, and long standing relationships with our freight carriers mean that logistics are coordinated efficiently.

AUSTRALIAN MADE + QUALITY IMPORTS = COMPREHENSIVE RANGE

Our range constitutes a wealth of engineered polypropylene and heavy duty steel reels, supplemented with hand-picked reels from some of the world's best quality manufacturers to present a truly comprehensive product portfolio. And, our ability to design and manufacture customised reels in-house means that we're sure to have a reel to suit your needs.



ENGINEERED CONFIDENCE.

ENGINEERED CONFIDENCE

30+ years manufacturing wisdom

ReCoila is committed to continued quality and engineering excellence, coupled with real-world practicality and constant improvement based on feedback from customers.

Our goal has always been to design the best reels in the world (and we think we're pretty close to the mark).

With teams of specialists for steel and polypropylene production, we continue to lead the way in design, innovation, functionality & reliability.

WE KNOW REELS – YOU KNOW YOUR BUSINESS

Whilst we've been building reels for over thirty years, we continue to learn and adapt to individual industry challenges in consultation with our customers.

We have worked with Australian and New Zealand fire brigades, Australian Defence forces, major international mining projects, salmon farms, oil rigs, plumbers, truck builders, food manufacturers, wineries, auto workshops, universities and electricity providers to transfer everything from clean air to cow dung.

Our collaborative approach has always resulted in a hose reel that is of the highest quality, whilst being simple, practical and effective for the people in the field who are actually operating it.

THE MAKING OF A CUSTOM HOSE REEL





CUSTOM MADE REELS

The best solution for:

- Long hose lengths
- High pressures up to 10,000psi
- Dual, triple, quad fluid paths
- Reels to handle up to 150mm or 6" ID hoses
- Special mediums transfer
- Multiple reel platforms and skids
- Multi-spool reels

EXACTLY WHAT YOU NEED

Custom made reels for your specific needs

ReCoila offers a custom design and manufacturing service, with an extensive range of options to create a rugged, reliable reel for your unique application.

A dedicated team of design and production staff with a wealth of knowledge and skills are able to design and create reels from scratch in consultation with you and your own specialists.

YOUR INITIAL ENQUIRY

Custom built hose reels are quoted on an individual basis. The more information you can provide the better placed we are to recommend the most suitable reel. Note that even if you intend to supply or use your own hose, supplying us with hose details is critical in determining the best reel for your requirements.

Not sure what you're after, or need a hand working out your reel specs? Give us a call or email our sales team for assistance.

THE QUOTING PROCESS

Basic Specifications Needed:

REEL DETAILS Type of reel, purpose of the reel, rewind system required, overall construction and finish.

HOSE DETAILS Number of hoses, inside and outside diameters, hose length, bend radius, working pressure, operating temperature and a description of the product being handled.

CABLE DETAILS (IF CABLE IS REQUIRED) Number of active conductors, conductor size (mm), number of earth conductors, voltage / amperage, outside diameter, cable length, bend radius, and cable weight per metre.



A SAFER WORKPLACE

Hose management and minimising risk



HAZARD:

DO HOSES REGULARLY LAY ACROSS PATHS AND WORK AREAS?



HAZARD:

ARE HOSES GENERALLY HEAVY OR AWKWARD TO MOVE?



HAZARD:

DO POORLY MANAGED HOSES CREATE WET, SLIPPERY WORK AREAS?



HAZARD:

ARE HOSES BEING DAMAGED DUE TO POOR STORAGE?



HOW HOSES BECOME HAZARDS

You're no doubt aware that trips, falls and ergonomic injuries are common in even the most strictly regulated work environments.

Workplaces use hoses and cables for all manner of applications, each one carrying potential safety risks such as:

- Trips and falls due to stray hoses and cables
- Ergonomic injury if heavy, awkward hoses need to be moved
- Leakage (& consequently wet areas) causing slip hazards.

HOSE LIFE CAN BE AFFECTED TOO

Hoses themselves when left on the floor can be weakened by environmental contaminants, cleaning chemicals, being run over by work vehicles, or being bent or coiled tighter than the hoses natural bend radius, and will ultimately fail as the structure of the hose is weakened.

THE SOLUTION – AND THE FLOW ON BENEFITS

ReCoila can offer a high quality hose and cable management solution that can reduce the risk of trips and falls from hoses and improve your safety record.

Aside from making your workplace safer, the use of ReCoila hose reels will increase productivity through providing operators a more effective means of handling hoses, cords and cables in their workplace environment.

Higher productivity, reduced downtime and lower maintenance costs are an additional benefit of efficient hose management.

STEEL SPRING REWIND REELS

Sturdy, versatile, compact



ReCoila imports a select range of steel spring rewind reels from the US and Europe to complement our line of Australian made hose reels.

ReCoila is Australia's only authorised Reelcraft agent and we import a large selection of Reelcraft reels, in addition to high quality steel spring rewind reels from manufacturers in Europe.

With reels to suit low, medium and high pressures for applications including air, water, oil, grease and chemicals, this range provides a solution to many common workplace hose handling situations.

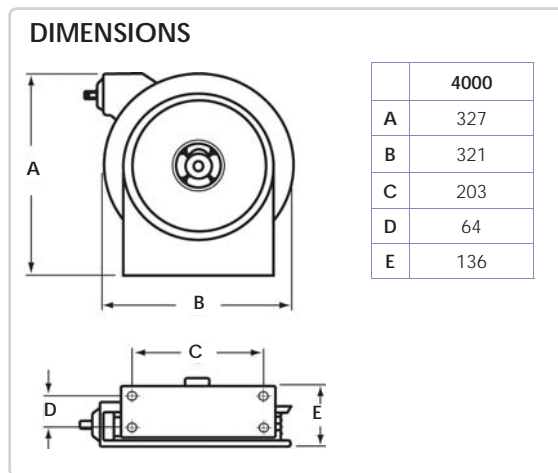
4000 SERIES COMPACT SPRING REWIND REELS

APPLICATION

The 4000 Series hose reels are durable and compact and can be used for a wide variety of applications where space is at a premium.

HOSE TYPE	Supplied without hose
MEDIA	Low pressure air and water
MAX PRESSURE	500
CONSTRUCTION MATERIAL	Steel
FINISH	Powdercoat
FITTING TYPE	NPT

FEATURES



4000 SERIES LOW PRESSURE AIR & WATER						
Model	Hose ID Capacity (mm)	Hose Length Capacity (m)	Max PSI	Inlet fitting	Outlet fitting	Weight (kg)
4400 OLP 106	6	6	500	3/8" NPT	1/4" NPT	8
4400 OLP 106	6	8	500	3/8" NPT	1/4" NPT	8
4400 OLP 106	6	11	500	3/8" NPT	1/4" NPT	8
4600 OLP 106	10	5	500	3/8" NPT	1/4" NPT	8

5000 & 5005 SERIES COMPACT SPRING REWIND REELS



APPLICATION

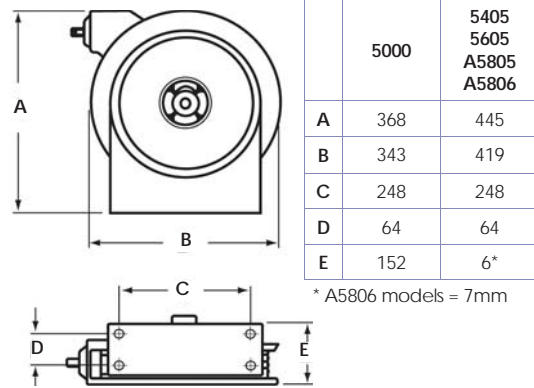
The 5000 Series hose reels are suitable for a wide variety of applications where space is limited. The 5005 Series reels perform a similar function whilst handling longer hose lengths.

HOSE TYPE	Supplied without hose
MEDIA	Air, water, oil, grease (refer to table below)
CONSTRUCTION MATERIAL	Steel
FINISH	Powdercoat
FITTING TYPE	NPT

FEATURES



DIMENSIONS



5000 SERIES LOW PRESSURE AIR & WATER

Model	Hose ID Capacity (mm)	Hose Length Capacity (m)	Max PSI	Inlet fitting	Outlet fitting	Weight (kg)
5400 OLP 106	6	15	500	3/8" NPT	1/4" NPT	9
5600 OLP 106	11	11	500	3/8" NPT	1/4" NPT	10
A5800 OLP 106	12	8	500	3/8" NPT	1/2" NPT	10

5000 SERIES MEDIUM PRESSURE AIR, WATER & OIL

5400 OMP 106	6	11	3000	3/8" NPT	1/4" NPT	20
5600 OMP 106	10	9	3000	3/8" NPT	3/8" NPT	21

5000 SERIES HIGH PRESSURE GREASE

5400 OHP 106	6	9	5000	1/4" NPT	1/4" NPT	12
5600 OHP 106	10	8	5000	1/4" NPT	1/4" NPT	12

5005 & 5006 SERIES LOW PRESSURE AIR & WATER

5605 OLP 106	10	5	500	3/8" NPT	1/4" NPT	14
A5805 OLP 106	12	11	500	3/8" NPT	3/8" NPT	15
A5806 OLP 106	12	15	500	3/8" NPT	1/2" NPT	15

5005 SERIES MEDIUM PRESSURE AIR, WATER & OIL

A5805 OMP 106	6	11	3000	3/8" NPT	1/2" NPT	14
---------------	---	----	------	----------	----------	----

5005 SERIES HIGH PRESSURE GREASE

5405 OHP 106	6	9	5000	1/4" NPT	1/4" NPT	14
--------------	---	---	------	----------	----------	----

7000 SERIES COMPACT SPRING REWIND REELS

APPLICATION

The 7000 Series hose reels are tough, durable and suitable for heavy duty applications.

The base and guide arm are formed from high-grade pressed steel and the engineered structural forms within these parts gives the 7000 Series its strength.

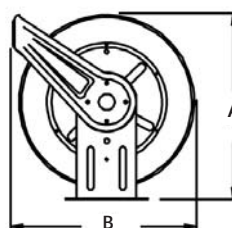


HOSE TYPE	Supplied without hose
MEDIA	Air, water, oil, grease (refer to table below)
CONSTRUCTION MATERIAL	Steel
FINISH	Powdercoat
FITTING TYPE	NPT

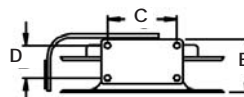
FEATURES



DIMENSIONS



	7000
A	521
B	483
C	200
D	98
E	178



7000 SERIES LOW PRESSURE AIR & WATER

Model	Hose ID Capacity (mm)	Hose Length Capacity (m)	Max PSI	Inlet fitting	Outlet fitting	Weight (kg)
7600 OLP 106	10	15	500	1/2"	1/4"	19
7600 OLP 106	10	22	500	1/2"	1/4"	19
7800 OLP 106	12	15	500	1/2"	3/8"	20
7900 OLP 106	19	8	500	3/4"	3/4"	20

7000 SERIES MEDIUM PRESSURE OIL

7600 OMP 106	10	15	3000	1/2"	1/2"	19
7600 OMP55 106	10	18	3000	1/2"	1/2"	19
7800 OMP 106	12	15	3000	1/2"	1/2"	19

7000 SERIES HIGH PRESSURE GREASE

7400 OHP 106	6	15	5000	1/2"	1/2"	20
7600 OHP 106	10	15	5000	1/2"	1/2"	21

7000 SERIES HIGH PRESSURE WASH

PW7600 OHP 106	10	15	5000	1/2"	1/2"	21
----------------	----	----	------	------	------	----

80000 & D80000 SERIES DUAL PEDESTAL SPRING REELS

APPLICATION

The 80000 Series hose reels are suitable for heavy duty applications. The 80000 has a compact base whilst the D80000 features a wide base for maximum strength and longest hose lengths.

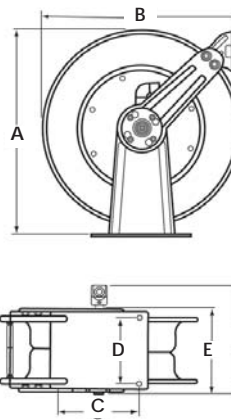
A unique one-piece aluminium casting with dual pedestal and guide arm support provides superior durability.

HOSE TYPE	Supplied without hose
MEDIA	Air, water, oil, grease (refer to table below)
CONSTRUCTION MATERIAL	Steel
FINISH	Powdercoat
FITTING TYPE	NPT

FEATURES



DIMENSIONS



	80000	D80000	PW81000
A	610	610	610
B	645	645	645
C	211	289	211
D	267	362*	267
E	254	267	254
F	152	199	153

* D83000 (3/4" model)
dimension D = 362mm.
D84000 (1" model)
dimension D = 387mm.

80000 SERIES LOW PRESSURE AIR & WATER

Model	Hose ID Capacity (mm)	Hose Length Capacity (m)	Max PSI	Inlet fitting	Outlet fitting	Weight (kg)
81000 OLP 106	10	30	500	1/2"	1/2"	35
82000 OLP 106	12	22	500	1/2"	1/2"	37
82000 OLP 106	12	30	500	1/2"	1/2"	37
83000 OLP 106	19	15	500	3/4"	3/4"	34
D83000 OLP 106	19	23	500	3/4"	3/4"	40
D84000 OLP 106	25	15	500	1"	1"	35

80000 SERIES MEDIUM PRESSURE OIL

82000 OMP 106	12	22	1500	1/2"	1/2"	35
83000 OMP 106	19	15	1500	3/4"	3/4"	35

80000 SERIES HIGH PRESSURE GREASE

81000 OHP 106	10	20	5000	1/2"	3/8"	42
---------------	----	----	------	------	------	----

80000 SERIES HIGH PRESSURE WASH

PW81000 OHP 106	10	30	5000	1/2"	3/8"	42
-----------------	----	----	------	------	------	----

9000 SERIES LARGE FRAME SPRING REELS

APPLICATION

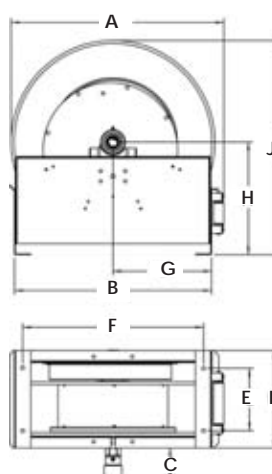
The 9000 Series base design offers complete stability in any application. The range is suitable for high volume air, water, fuel and petroleum applications. The unique footed design makes the 9000 Series ideal for service vehicles, permanent service or plant work areas.

With reels to suit low pressures (air and water), medium pressures (air, water and oil) and high pressures (grease), the 9000 Series is an ideal solution for your workshop or service truck hose management.

HOSE TYPE	Supplied without hose
MEDIA	Air, water, oil, grease (refer to table below)
CONSTRUCTION MATERIAL	Steel
FINISH	Powdercoat
FITTING TYPE	NPT



DIMENSIONS



	9000	FF9000
A	667	667
B	613	613
C	121	98
D	305	449
E	195	341
F	556	556
G	311	311
H	352	352
J	670	670

FEATURES

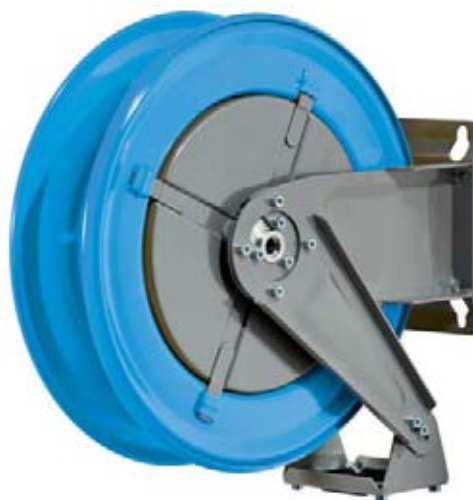


9000 SERIES LOW PRESSURE AIR & WATER						
Model	Hose ID Capacity (mm)	Hose Length Capacity (m)	Max PSI	Inlet fitting	Outlet fitting	Weight (kg)
D9200 OLP 106	12	31	500	1/2"	1/2"	52
D9300 OLP 106	19	15	500	3/4"	3/4"	52
D9305 OLP BW 106	19	31	500	3/4"	3/4"	52
D9400 OLP 106	25	15	500	1"	1"	52
FF9500 OLP BW 106*	32	15	600	1 1/4"	1 1/4"	57
FF9600 OLP BW 106*	38	15	600	1 1/2"	1 1/2"	57
9000 SERIES MEDIUM PRESSURE OIL						
D9200 OMP 106	12	23	3000	1/2"	1/2"	52
D9300 OMP 106	19	15	3000	3/4"	3/4"	52
9000 SERIES HIGH PRESSURE GREASE						
D9100 OHP 106	10	23	5000	3/8"	1/2"	52

S400 SERIES STEEL SPRING REWIND REELS

APPLICATION

The S Series is a range of high quality imported steel and stainless steel hose reels, with models suited to most common workshop applications including air, water, oil, grease and more. Durable and compact, the S Series is available in a wide range of sizes and configurations.

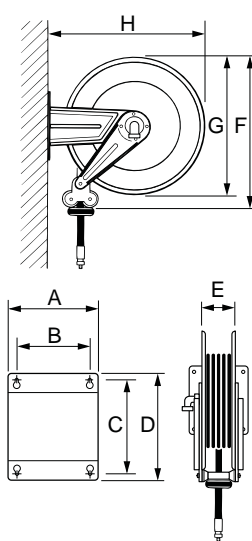


HOSE TYPE	Supplied without hose
CONSTRUCTION MATERIAL	Steel
FINISH	Painted
FITTING TYPE	BSP
WEIGHT	12kg

FEATURES



DIMENSIONS



	S400
A	158
B	120
C	168
D	192
E	95
F	450
G	400
H	435

S400 SERIES						
Model	Hose ID Capacity (mm)	Hose Length Capacity (m)	Max PSI	Swivel Material	Inlet fitting	Outlet fitting
S070.1201.300	10	18	300	Brass	F 3/8" G	M 3/8" G
S070.1201.400	10	25	300	Brass	M 1/2"	M 1/2"
S070.1205.300	10	10	5800	Stainless Steel	M 3/8" G	M 3/8" G
S070.1205.400	12	10	5800	Stainless Steel	M 1/2" G	F 1/2" G
S070.1206.400	12	10	2300	Galvanized	M 1/2" G	M 1/2" G
S070.1207.200	6	15	8700	Galvanized	M 1/4"	M 1/4"
S070.1207.300	10	10	8700	Galvanized	M 3/8"	M 3/8"
S070.1209.400	12	10	300	Stainless Steel	M 1/2" G	M 1/2" G

Fitting marked with G = BSP

S460 SERIES STEEL SPRING REWIND REELS

APPLICATION

The S Series is a range of high quality imported steel and stainless steel hose reels, with models suited to most common workshop applications including air, water, oil, grease and more. Durable and compact, the S Series is available in a wide range of sizes and configurations.

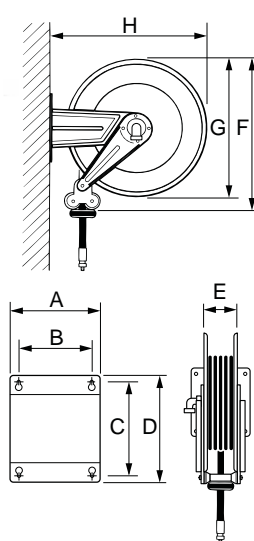


HOSE TYPE	Supplied without hose
CONSTRUCTION MATERIAL	Steel
FINISH	Painted
FITTING TYPE	BSP
WEIGHT	16kg

FEATURES



DIMENSIONS



	S460
A	158
B	120
C	168
D	192
E	95
F	480
G	460
H	500

S460 SERIES						
Model	Hose ID Capacity (mm)	Hose Length Capacity (m)	Max PSI	Swivel Material	Inlet fitting	Outlet fitting
S070.1301.400	12	18	300	Brass	M 1/2" G	M 1/2" G
S070.1305.300	10	18	5800	Stainless Steel	M 3/8" G	M 3/8" G
S070.1305.400	12	15	5800	Stainless Steel	M 1/2" G	M 1/2" G
S070.1306.400	12	18	2300	Galvanized	M 1/2" G	M 1/2" G
S070.1307.200	6	18	8700	Galvanized	M 1/4" G	M 1/4" G
S070.1307.300	10	15	8700	Galvanized	M 3/8"	M 3/8"
S070.1309.400	12	15	300	Stainless Steel	M 1/2" G	M 1/2" G

Fitting marked with G = BSP

S550 SERIES STEEL SPRING REWIND REELS

APPLICATION

The S Series is a range of high quality imported steel and stainless steel hose reels, with models suited to most common workshop applications including air, water, oil, grease and more. Durable and compact, the S Series is available in a wide range of sizes and configurations.

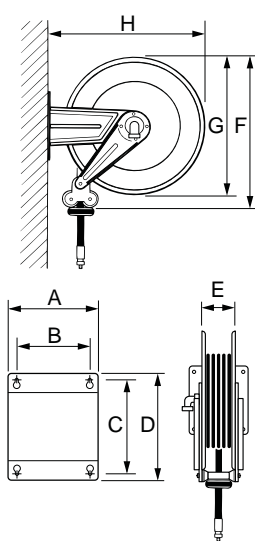


HOSE TYPE	Supplied without hose
CONSTRUCTION MATERIAL	Steel
FINISH	Painted
FITTING TYPE	BSP
WEIGHT	22kg

FEATURES



DIMENSIONS



	S550
A	200
B	150
C	225
D	270
E	120
F	590
G	550
H	600

S550 SERIES						
Model	Hose ID Capacity (mm)	Hose Length Capacity (m)	Max PSI	Swivel Material	Inlet fitting	Outlet fitting
S070.1401.400	12	25	300	Brass	M 1/2" G	M 1/2" G
S070.1405.300	10	25	5800	Stainless Steel	M 3/8" G	M 3/8" G
S070.1405.400	12	20	5800	Stainless Steel	M 1/2" G	M 1/2" G
S070.1406.400	12	25	2300	Galvanized	M 1/2" G	M 1/2" G
S070.1407.300	10	25	8700	Galvanized	M 3/8"	M 3/8"
S070.1408.600	25	10	150	Galvanized	F 1" G	M 1" G
S070.1409.500	19	15	300	Stainless Steel	F 3/4" G	M 3/4" G

Fitting marked with G = BSP

S555 SERIES STEEL SPRING REWIND REELS

APPLICATION

The S Series is a range of high quality imported steel and stainless steel hose reels, with models suited to most common workshop applications including air, water, oil, grease and more. Durable and compact, the S Series is available in a wide range of sizes and configurations.

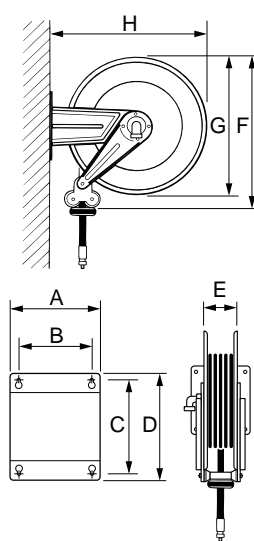


HOSE TYPE	Supplied without hose
CONSTRUCTION MATERIAL	Steel
FINISH	Painted
FITTING TYPE	BSP
WEIGHT	26kg

FEATURES



DIMENSIONS



	S555
A	250
B	200
C	225
D	270
E	170
F	590
G	550
H	600

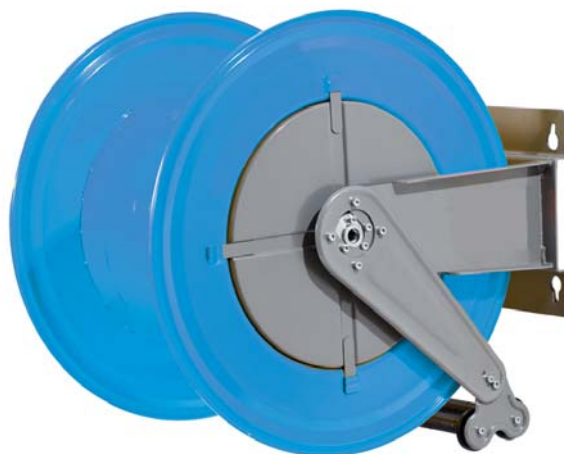
S555 SERIES						
Model	Hose ID Capacity (mm)	Hose Length Capacity (m)	Max PSI	Swivel Material	Inlet fitting	Outlet fitting
S070.1502.400	12	30	300	Brass	M 1/2" G	M 1/2" G
S070.1502.600	25	15	300	Brass	F 1" G	M 1" G
S070.1505.300	10	30	5800	Stainless Steel	M 3/8" G	M 3/8" G
S070.1505.400	12	30	5800	Stainless Steel	M 1/2" G	M 1/2" G
S070.1506.400	12	30	2300	Galvanized	M 1/2" G	M 1/2" G
S070.1506.500	19	20	2300	Galvanized	M 3/4" G	M 3/4" G
S070.1506.600	25	15	2300	Galvanized	M 1" G	M 1" G
S070.1507.300	19	20	8700	Galvanized	M 3/8" G	M 3/8" G
S070.1508.600	25	15	150	Galvanized	F 1" G	M 1" G

Fitting marked with G = BSP

S560 SERIES STEEL SPRING REWIND REELS

APPLICATION

The S Series is a range of high quality imported steel and stainless steel hose reels, with models suited to most common workshop applications including air, water, oil, grease and more. Durable and compact, the S Series is available in a wide range of sizes and configurations.

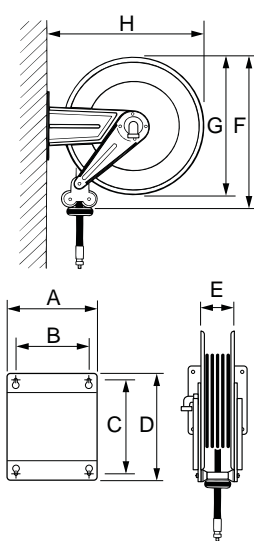


HOSE TYPE	Supplied without hose
CONSTRUCTION MATERIAL	Steel
FINISH	Painted
FITTING TYPE	BSP
WEIGHT	33kg

FEATURES



DIMENSIONS



	S560
A	440
B	390
C	225
D	270
E	360
F	590
G	550
H	600

S560 SERIES

Model	Hose ID Capacity (mm)	Hose Length Capacity (m)	Max PSI	Swivel Material	Inlet fitting	Outlet fitting
S070.1602.600	25	30	300	Brass	F 1" G	M 1" G
S070.1605.400	12	40	6000	Stainless Steel	M 1/2" G	M 1/2" G
S070.1606.500	19	30	2300	Galvanized	M 3/4" G	M 3/4" G
S070.1606.600	25	30	2300	Galvanized	M 1" G	M 1" G
S070.1608.600	25	30	150	Galvanized	F 1" G	M 1" G

Fitting marked with G = BSP

SS400 SERIES STAINLESS STEEL SPRING REELS

APPLICATION

The SS Series is a range of high quality imported steel and stainless steel hose reels, with models suited to most common workshop applications including air, water, oil, grease and more. Durable and compact, the SS Series is available in a wide range of sizes and configurations.

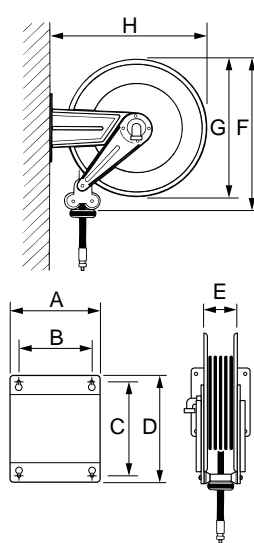


HOSE TYPE	Supplied without hose
CONSTRUCTION MATERIAL	304 Stainless steel
FINISH	Stainless
FITTING TYPE	BSP
WEIGHT	12kg

FEATURES



DIMENSIONS



	SS400
A	158
B	120
C	168
D	192
E	95
F	450
G	400
H	435

SS400 SERIES

Model	Hose ID Capacity (mm)	Hose Length Capacity (m)	Max PSI	Swivel Material	Inlet fitting	Outlet fitting
SS070.2201.300	10	15	3000	Brass	F 3/8" G	M 3/8" G
SS070.2201.400	12	10	300	Brass	M 1/2" G	M 1/2" G
SS070.2205.300	10	10	5800	Stainless Steel	M 3/8" G	M 3/8" G
SS070.2205.400	12	10	5800	Stainless Steel	M 1/2" G	M 1/2" G
SS070.2209.400	12	10	300	Stainless Steel	M 1/2" G	M 1/2" G

Fitting marked with G = BSP

SS460 SERIES STAINLESS STEEL SPRING REELS

APPLICATION

The SS Series is a range of high quality imported steel and stainless steel hose reels, with models suited to most common workshop applications including air, water, oil, grease and more. Durable and compact, the SS Series is available in a wide range of sizes and configurations.

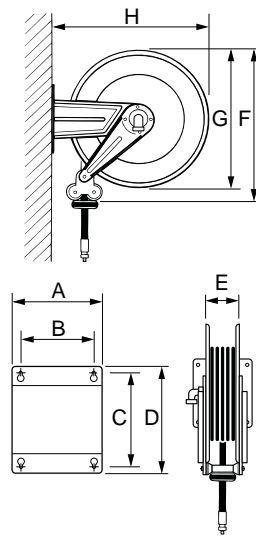


HOSE TYPE	Supplied without hose
CONSTRUCTION MATERIAL	304 Stainless steel
FINISH	Stainless
FITTING TYPE	BSP
WEIGHT	16kg

FEATURES



DIMENSIONS



	SS460
A	158
B	120
C	168
D	192
E	95
F	480
G	460
H	500

SS460 SERIES

Model	Hose ID Capacity (mm)	Hose Length Capacity (m)	Max PSI	Swivel Material	Inlet fitting	Outlet fitting
SS070.2301.400	12	18	300	Brass	M 1/2" G	M 1/2" G
SS070.2305.300	10	18	5800	Stainless Steel	M 3/8" G	M 3/8" G
SS070.2305.400	12	15	5800	Stainless Steel	M 1/2" G	M 1/2" G
SS070.2309.400	12	15	300	Stainless Steel	M 1/2" G	M 1/2" G

Fitting marked with G = BSP

SS550 SERIES STAINLESS STEEL SPRING REELS

APPLICATION

The SS Series is a range of high quality imported steel and stainless steel hose reels, with models suited to most common workshop applications including air, water, oil, grease and more. Durable and compact, the SS Series is available in a wide range of sizes and configurations.

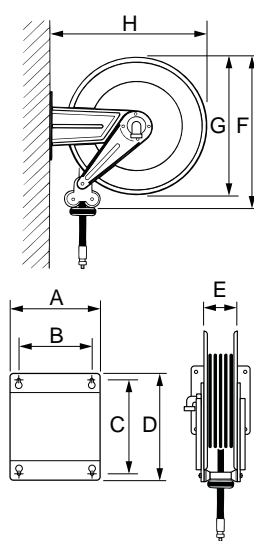


HOSE TYPE	Supplied without hose
CONSTRUCTION MATERIAL	304 Stainless steel
FINISH	Stainless
FITTING TYPE	BSP
WEIGHT	22kg

FEATURES



DIMENSIONS



	SS550
A	200
B	150
C	225
D	270
E	120
F	590
G	550
H	600

SS550 SERIES

Model	Hose ID Capacity (mm)	Hose Length Capacity (m)	Max PSI	Swivel Material	Inlet fitting	Outlet fitting
SS070.2401.400	12	25	300	Brass	M 1/2" G	M 1/2" G
SS070.2405.300	10	25	5800	Stainless Steel	M 3/8" G	M 3/8" G
SS070.2405.400	12	20	5800	Stainless Steel	M 1/2" G	M 1/2" G
SS070.2408.600	25	10	150	Galvanized	F 1" G	M 1" G
SS070.2409.500	19	15	300	Stainless Steel	F 3/4" G	M 3/4" G

Fitting marked with G = BSP

SS555 SERIES STAINLESS STEEL SPRING REELS

APPLICATION

The SS Series is a range of high quality imported steel and stainless steel hose reels, with models suited to most common workshop applications including air, water, oil, grease and more. Durable and compact, the SS Series is available in a wide range of sizes and configurations.

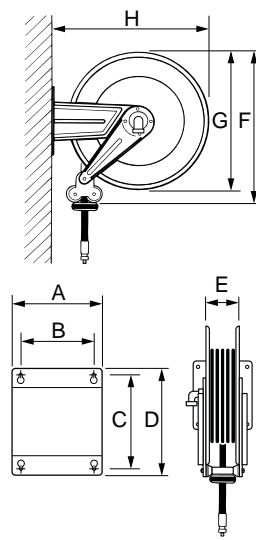


HOSE TYPE	Supplied without hose
CONSTRUCTION MATERIAL	304 Stainless steel
FINISH	Stainless
FITTING TYPE	BSP
WEIGHT	26kg

FEATURES



DIMENSIONS



	SS555
A	250
B	200
C	225
D	270
E	170
F	590
G	550
H	600

SS555 SERIES

Model	Hose ID Capacity (mm)	Hose Length Capacity (m)	Max PSI	Swivel Material	Inlet fitting	Outlet fitting
SS070.2502.400	12	30	300	Brass	M 1/2" G	M 1/2" G
SS070.2502.600	25	15	300	Brass	F 1" G	M 1" G
SS070.2505.300	10	30	5800	Stainless Steel	M 3/8" G	M 3/8" G
SS070.2505.400	12	30	5800	Stainless Steel	M 1/2" G	M 1/2" G
SS070.2508.600	25	15	150	Galvanized	F 1" G	M 1" G

Fitting marked with G = BSP

SS560 SERIES STAINLESS STEEL SPRING REELS

APPLICATION

The SS Series is a range of high quality imported steel and stainless steel hose reels, with models suited to most common workshop applications including air, water, oil, grease and more. Durable and compact, the SS Series is available in a wide range of sizes and configurations.

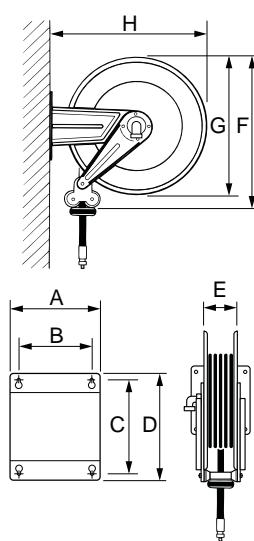


HOSE TYPE	Supplied without hose
CONSTRUCTION MATERIAL	304 Stainless steel
FINISH	Stainless
FITTING TYPE	BSP
WEIGHT	33kg

FEATURES



DIMENSIONS



	SS560
A	440
B	390
C	225
D	270
E	360
F	590
G	550
H	600

SS560 SERIES						
Model	Hose ID Capacity (mm)	Hose Length Capacity (m)	Max PSI	Swivel Material	Inlet fitting	Outlet fitting
SS070.2602.600	25	30	300	Brass	F 1" G	M 1" G
SS070.2605.400	12	40	5800	Stainless Steel	M 1/2" G	M 1/2" G
SS070.2608.600	25	30	150	Galvanized	F 1" G	M 1" G

Fitting marked with G = BSP

SYMBOL DEFINITIONS

Helping you choose the right reel



Additional options are available to customise the reel, such as roller guides, swivels and a choice of surface finishes. Check the options on each page to view options available for each reel series.



ReCoila is proudly Australian with a factory based in Kings Park NSW. Where possible, we use local suppliers for our quality components.



ReCoila offers a two year limited warranty on plastic components and springs, with five years warranty on brass swivel components (Gen III Series only). For our full warranty policy, please enquire.



In addition to our range of Australian made hose, cord and cable reels, ReCoila sources a number of specialty reels from quality manufacturers around the globe.



Constructed from carbon steel as standard unless otherwise noted. Optional extras include 304 stainless, 316 stainless or aluminium. Powdercoat or galvanized finishes are available on request.



Constructed from tough impact and corrosion resistant UV stabilised polypropylene, with anti-static and flame retardant properties.



The reel uses a spring retracting system to recoil the hose or cable. The hose or cable can be uncoiled as needed and locked in place using a latching system.



The reel is operated via a manual hand crank handle.



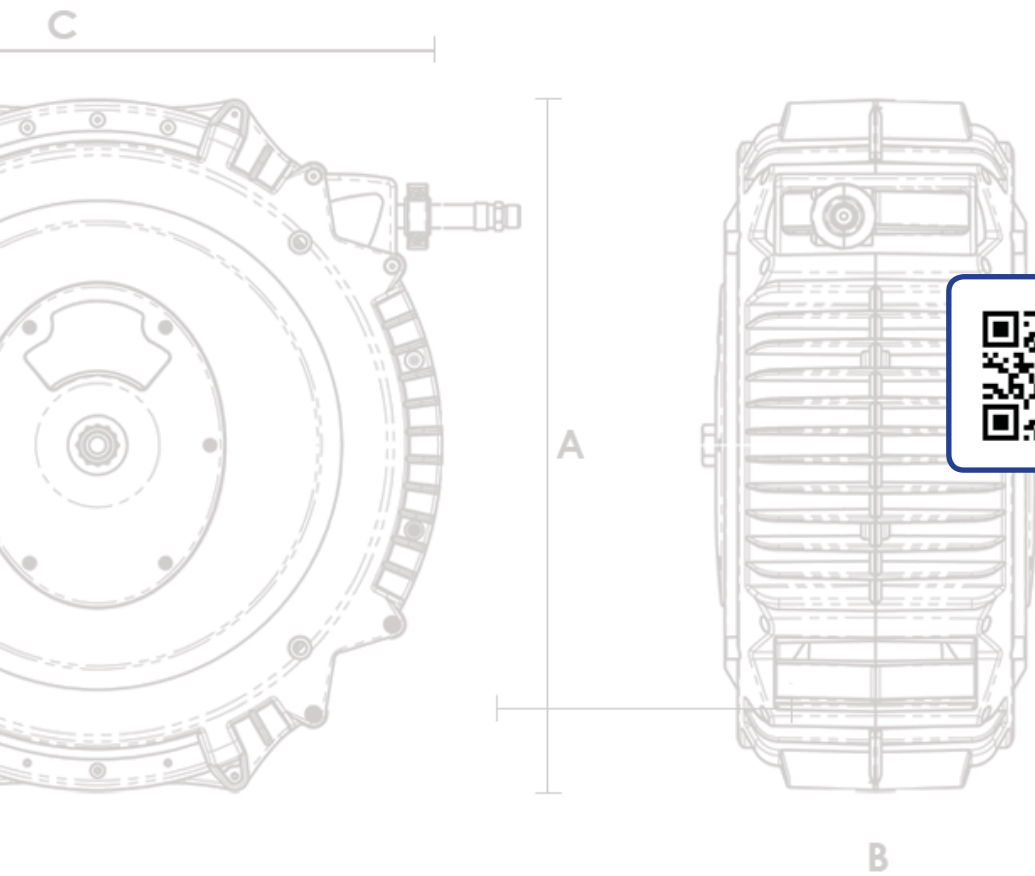
The reel is motor driven, using either an electric, pneumatic or hydraulic motor.



The reel is under constant tension, allowing for repetitive cyclic coiling and uncoiling (eg: when fitted to a crane arm or forklift truck lifting mechanism).



In addition to our standard range of steel and composite polypropylene reels for industrial use, we supply a number of reels for specific applications such as jetting, welding cable, and static discharge. The Special Purpose symbol is also applied to our range of automation reels, which are specially designed for constant cycling motions.



SCAN TO GO ONLINE
AND VIEW THOUSANDS
MORE PRODUCTS AT
RECOILA.COM.AU

RECOILA AUSTRALIA

Unit 1/10 Melissa Place
Kings Park NSW 2148
Ph: +61 2 9621 8988
Fx: +61 2 9621 7688
sales@recoila.com.au
www.recoila.com.au

RECOILA NEW ZEALAND

Unit 1/A, 93 Ellice Road
Glenfield, North Shore City 0629
Ph: +64 9 441 0177
Fx: +64 9 441 0178
sales@recoila.co.nz
www.recoila.co.nz