

KEY-NIRRVANA

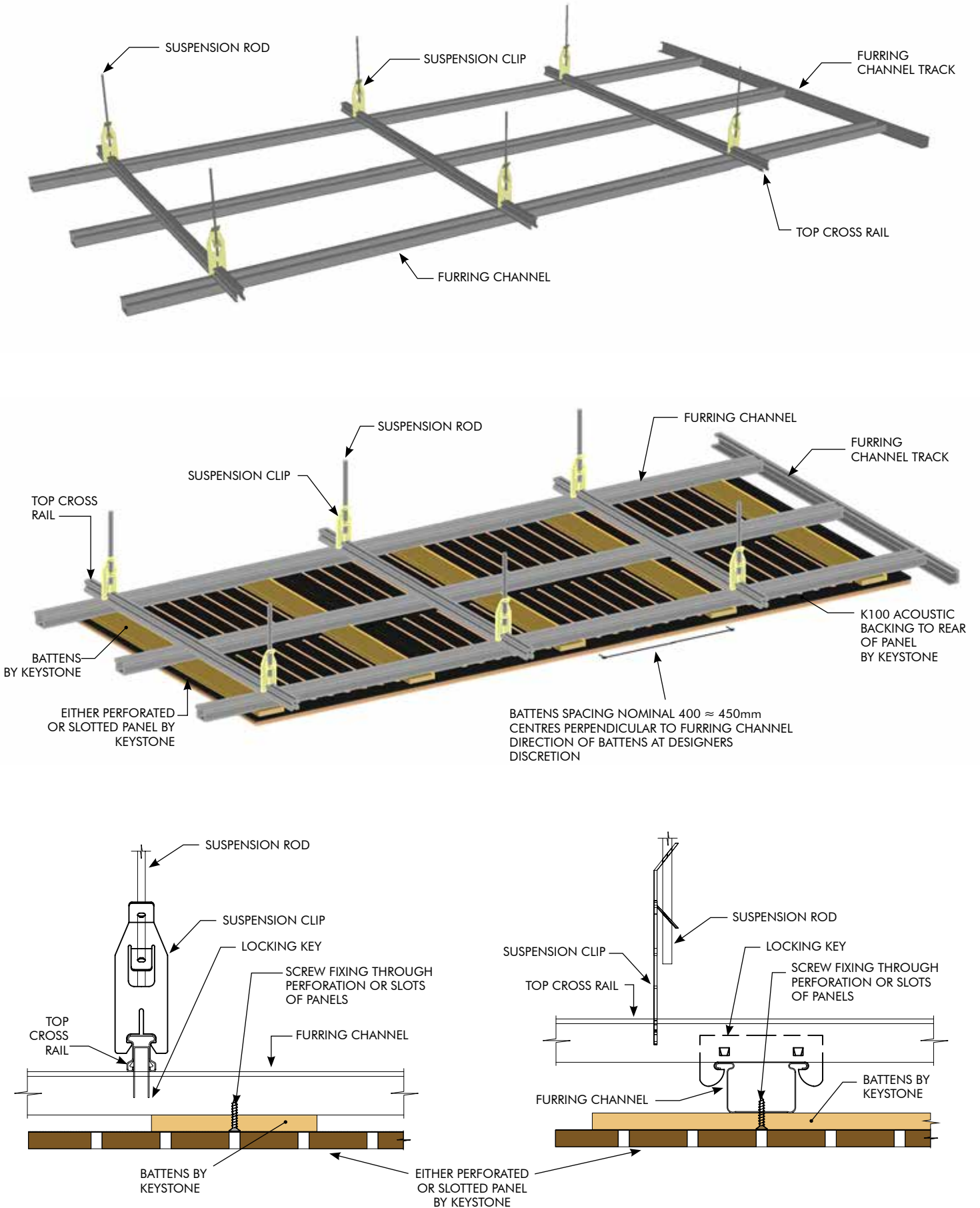


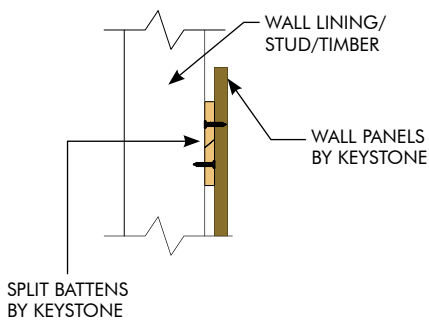
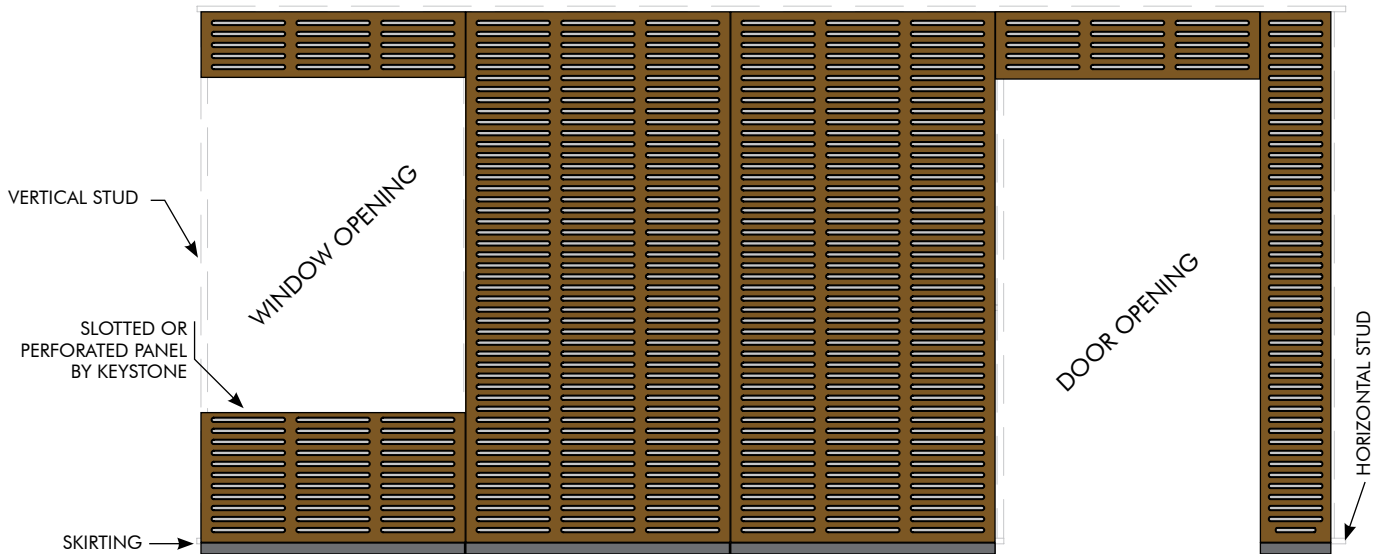
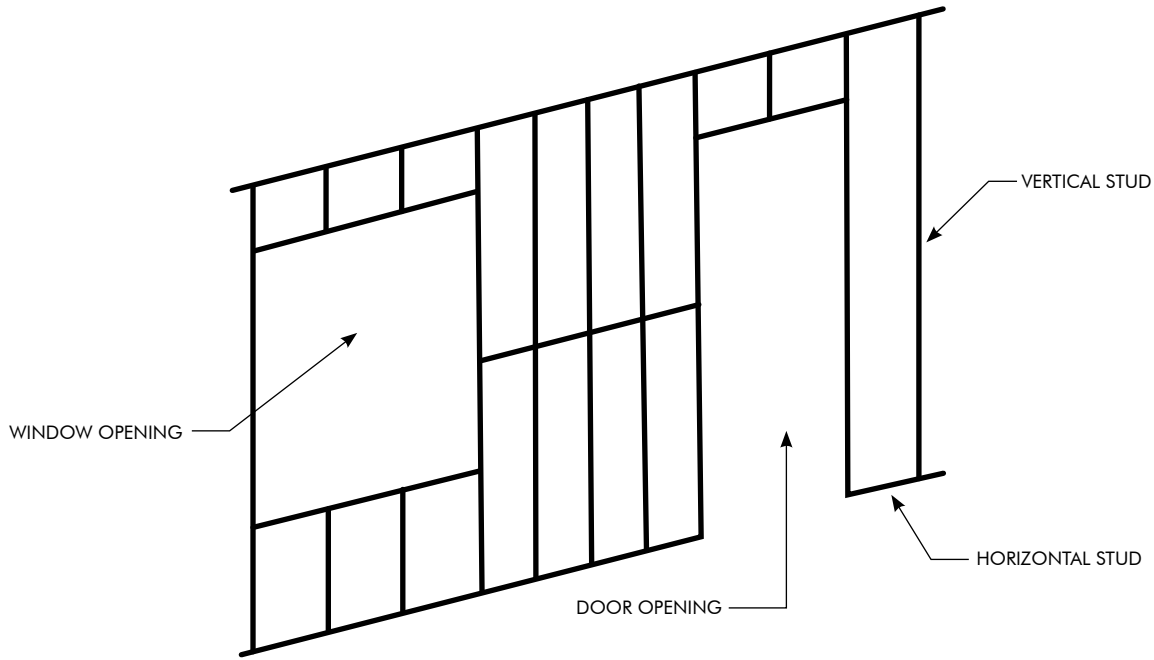
We bring Architects Imagination to Life

www.KeystoneLinings.com.au

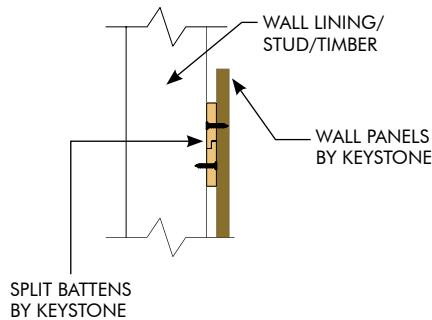
INSTALLATION GUIDE CEILING & WALLS

KEY-NIRVANA INSTALLATION GUIDE - CEILING

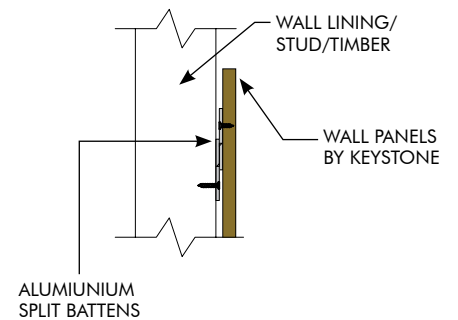




BATTENS TYPE 12M
12MM MDF BATTENS MITRED



BATTENS TYPE 12R
12MM MDF BATTENS REBATED



BATTENS SLIM LINE
ALUMINIUM SPLIT BATTENS

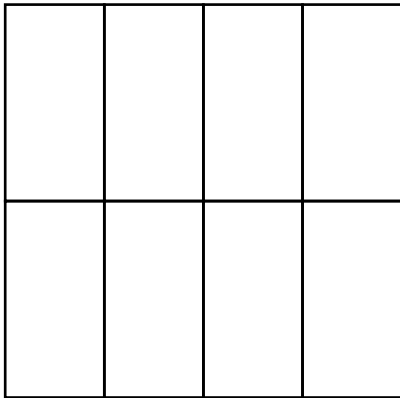


Armada Arndale Shopping Centre

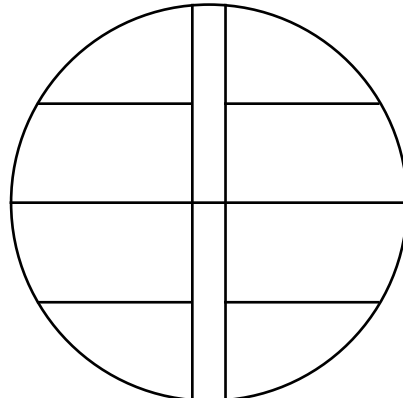
KEY-NIRVANA

PANEL LAYOUT OPTIONS - CEILING AND WALL

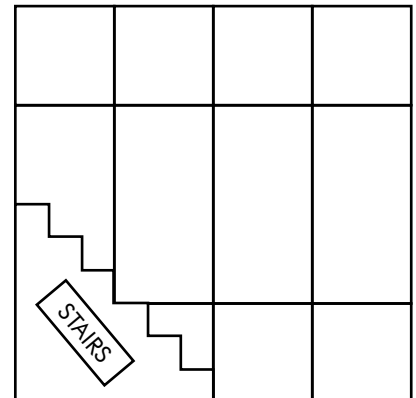
STANDARD VERTICAL LAYOUT



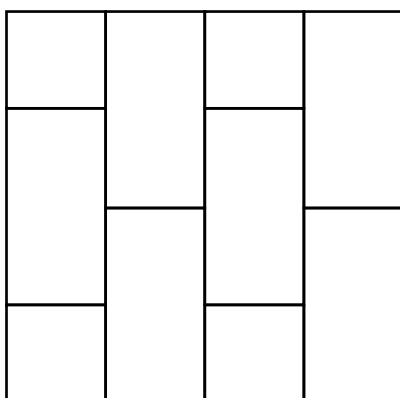
SHAPED PANELS LAYOUT



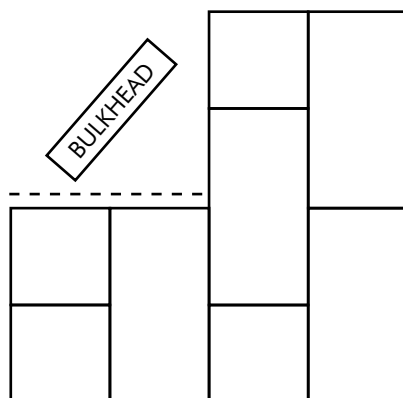
STANDARD VERTICAL LAYOUT



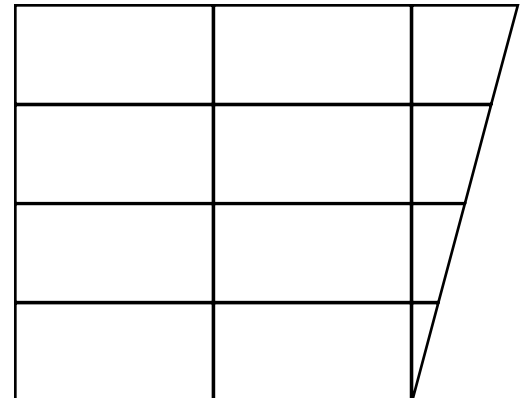
STANDARD VERTICAL BRICK PATTERN



STANDARD VERTICAL BRICK PATTERN BULKHEAD



STANDARD HORIZONTAL LAYOUT - SHAPED PANELS



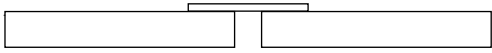


Naracoorte Library

KEY-NIRVANA

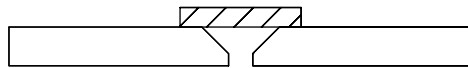
EDGE DETAIL AND JOINT OPTIONS

ED - 10/S
ED - 15/S



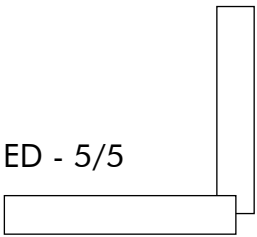
- Express Joint Detail - Square edge
- 50MM X 0.7MM Black Laminate Strips

ED - 3/45NM
ED - 5/45NM



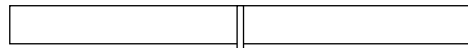
- 45° Negative Mitre Detail

ED - 5/5



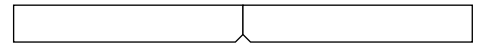
- 5mm Birds Beak Detail

ED - 1.5/1.5B
ED - 3/3B

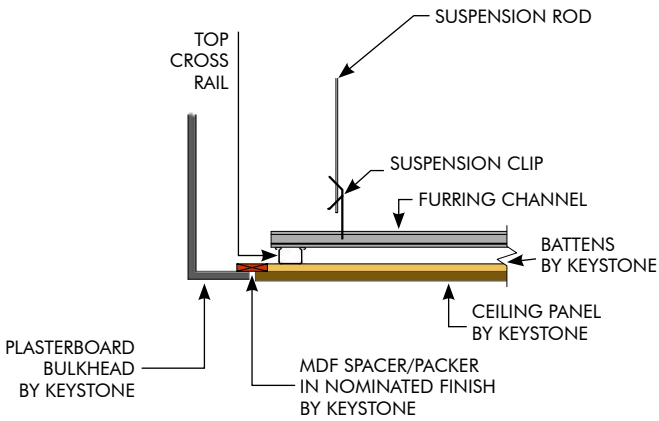


- Aluminium Joint Detail

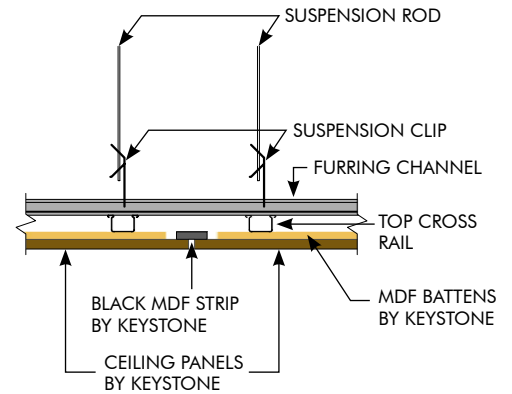
ED - 3/1.5V
ED - 6/3V



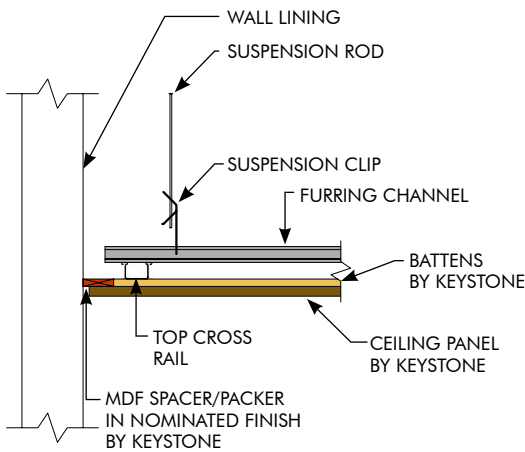
- 45° Arris Joint Detail



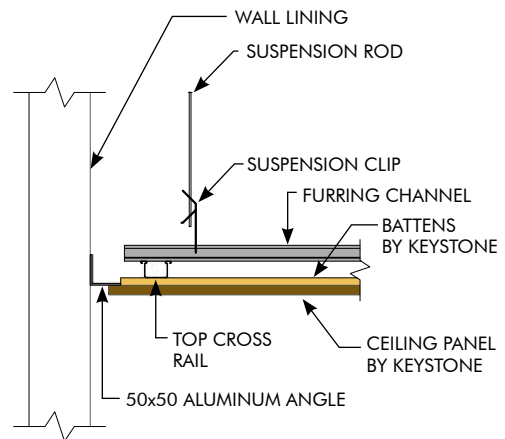
**PLASTERBOARD & CEILING
PANEL JUNCTION**



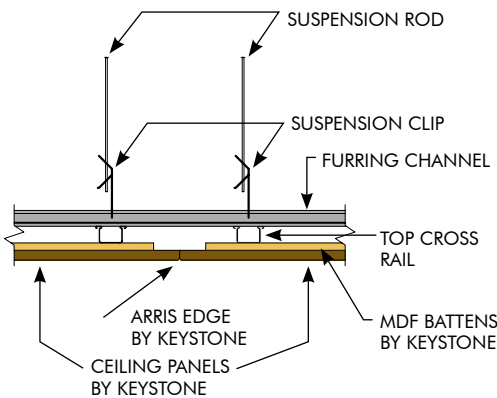
EXPRESS JOINT DETAIL



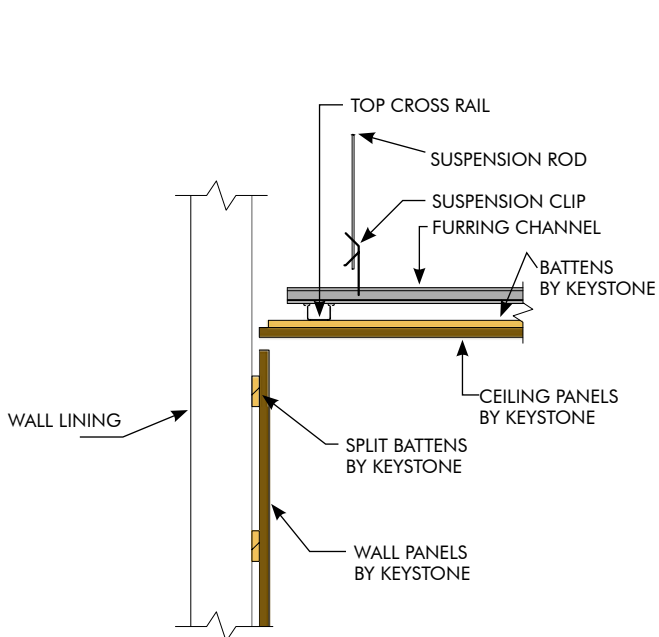
**CEILING PANEL AT WALL JUNCTION
(TYPE 1)
MDF SPACER/PACKER**



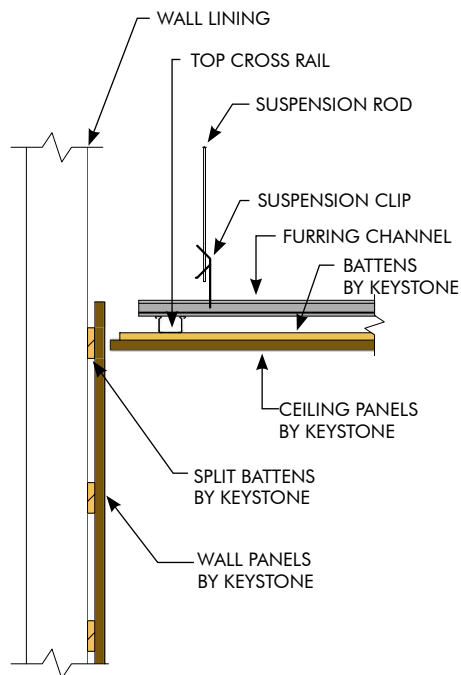
**CEILING PANEL AT WALL JUNCTION
(TYPE 2)
ALUMINUM ANGLE**



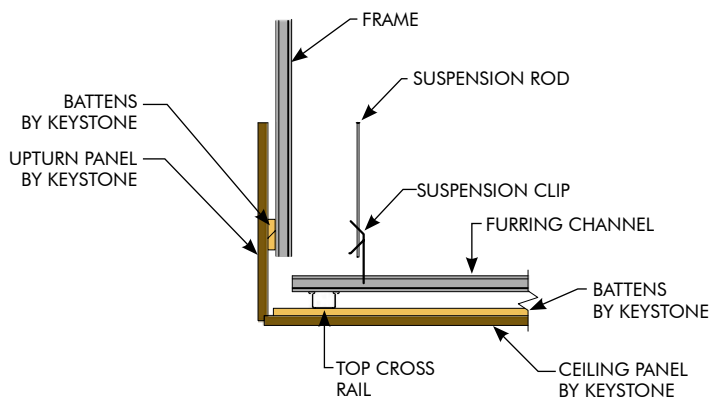
ARRISED CORNER BUTT JOINT DETAIL



**CEILING PANEL AT WALL JUNCTION
(TYPE 4)**



**CEILING PANEL AT WALL JUNCTION
(TYPE 3)**



**CEILING PANEL AT WALL JUNCTION
BIRDS BEAK DETAIL
(TYPE 5)**

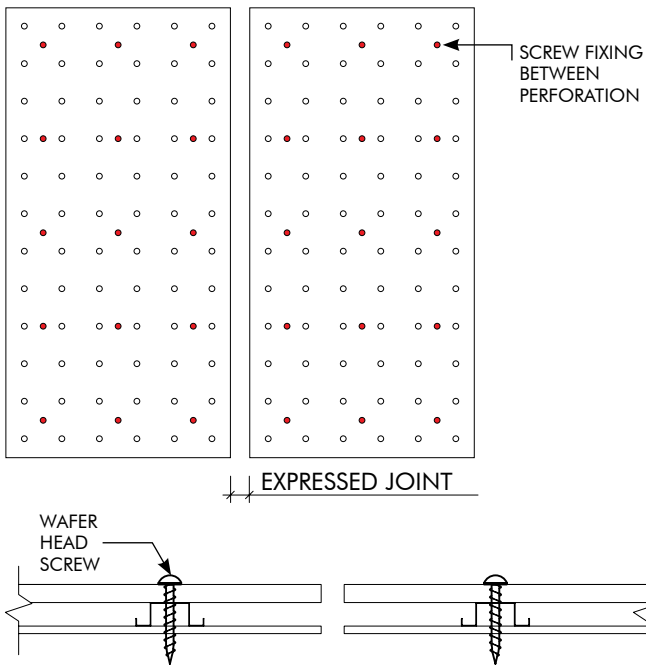


303 La Trobe Street

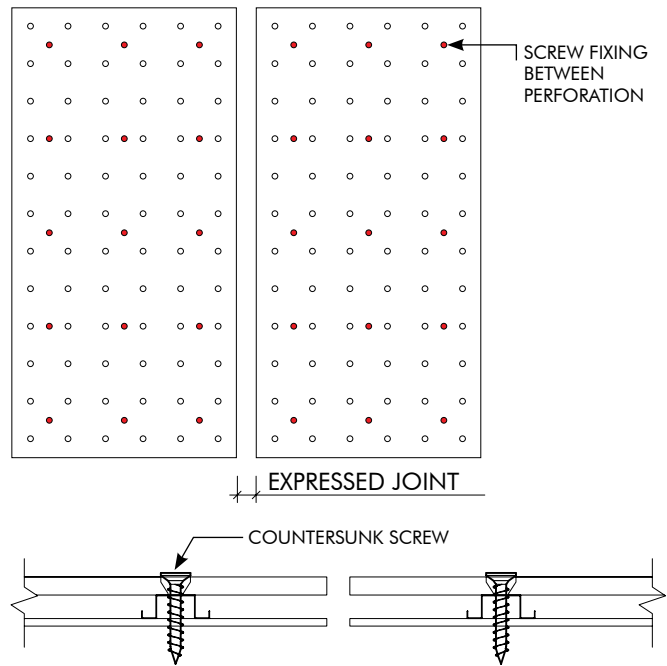
KEY-NIRVANA

EXPOSED FIXING OPTIONS - CEILING & WALLS

EXPOSED FACE FIXING - WAFFER HEAD SCREWS



EXPOSED FACE FIXING - COUNTERSUNK SCREWS

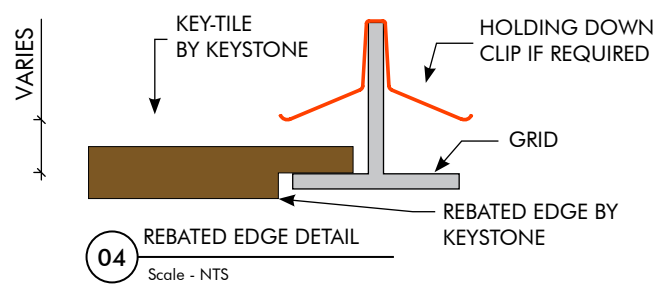
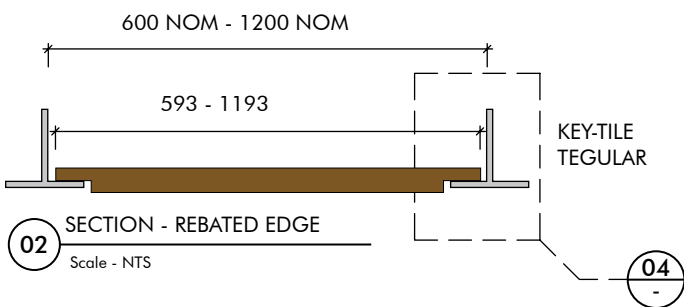
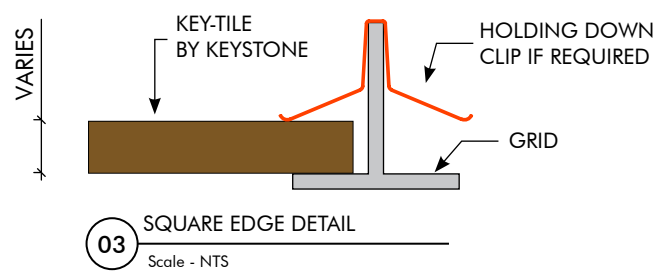
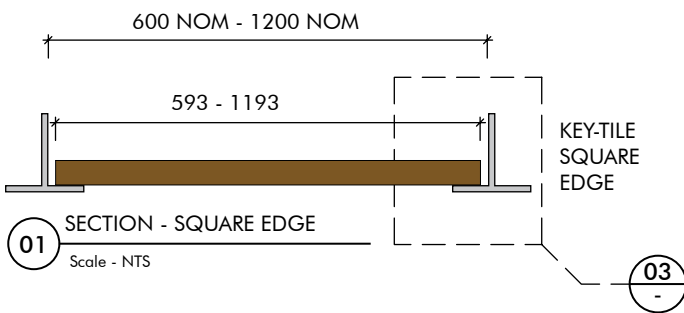




St Luke's Grammar School

KEY-NIRVANA

KEY-TILE - CEILING TILES - D.I.T.



KEY-TILE			
	12mm	16mm	18mm
1193 x 593	✓	✓	✓
593 x 593	✓	✓	✓
Weight (Kg/m2)	9.0	11.6	13.1

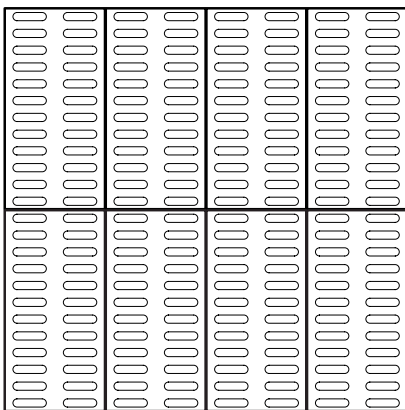


60 South Terrace

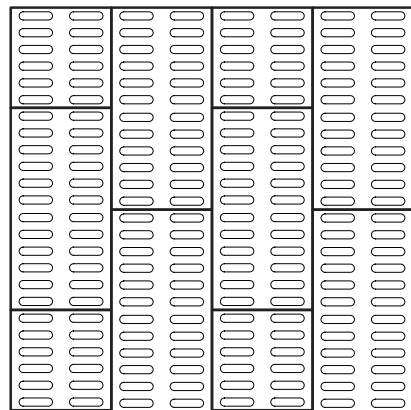
KEY-NIRVANA

KEY - TILE - CEILING TILES - D.I.T. LAYOUT OPTIONS

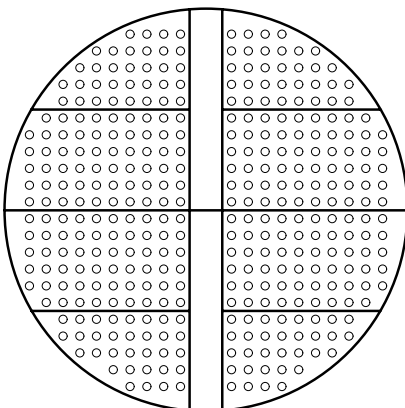
STANDARD LAYOUT



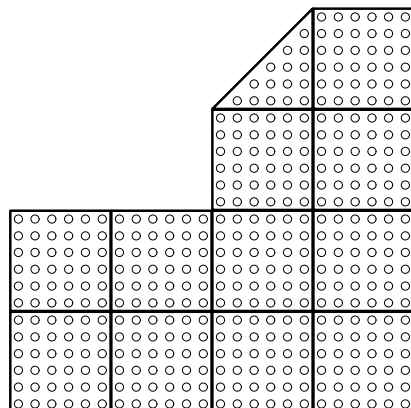
BRICK PATTERN



SHAPED LAYOUT



STANDARD LAYOUT



303 LA TROBE STREET



CARPE DIEM HOUSEBOAT



ROYAL COMMISSION OFFICE



CABRA COLLEGE



ARMADA ARNDALE SHOPPING CENTRE



EDGE CHURCH REYNELLA



THE HEIGHTS SCHOOL





Level 1, 7-8 Davis Road,
Wetherill Park, NSW 2164
02 9604 8813
www.KeystoneLinings.com.au