

# SV-X150



## Compact Glass Sliding System

### Technical Details

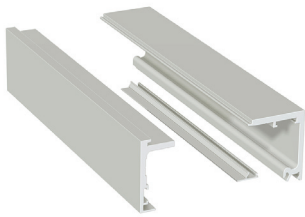
- Compact sliding door system
- Suitable for 10, 12 and 13.52mm glass
- Can support up to 150kg glass doors
- System has been tested to 100,000 cycles
- Variety of braking systems
- Tracks can be mounted to the wall, ceiling or recessed into the ceiling
- Tracks available with a glazing pocket for fixed panels.

### Available Finishes

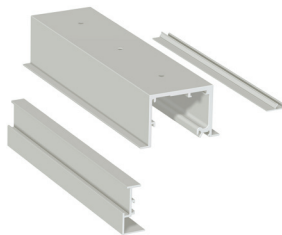
- Satin Anodised Aluminium



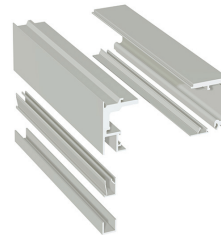
### TRACK OPTIONS



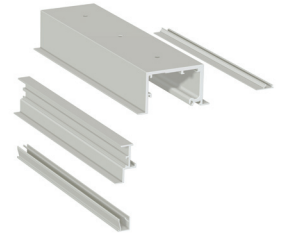
**SV-X150-TRACK-1**  
Wall/Ceiling Mount



**SV-X150-TRACK-2**  
False Ceiling Mount



**SV-X150-TRACK-3**  
Wall/Ceiling Mount  
With Fixed Panel



**SV-X150-TRACK-4**  
False Ceiling Mount  
With Fixed Panel

### BRAKE OPTIONS



**Soft Pro**  
SV-X150-SET-10  
(Double Soft Pro)



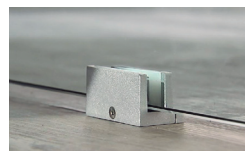
**Retaining Brake**  
SV-X150-SET-1  
(Double Retaining Brake)



**Anti-Shock**  
SV-X150-SET-3  
(Double Anti-Shock)

### OTHER OPTIONS

- SV-X150-SET-2 - 1 x Anti-Shock & 1 x Retaining Brake
- SV-X150-SET-7 - 1 x Retaining Brake & 1 x Soft-Pro
- SV-X150-SET-8 - 1 x Anti Shock & 1 x Soft-Pro



**SV-X-FG**  
Floor Guide

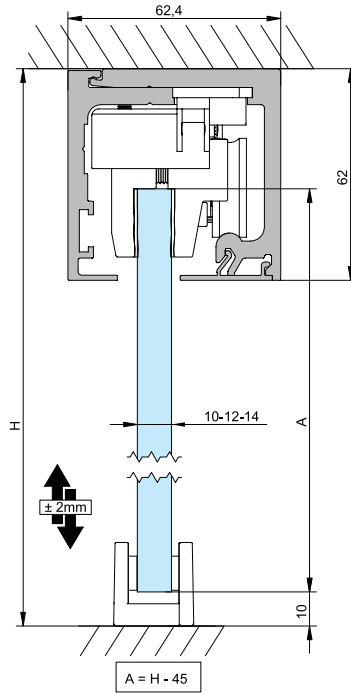
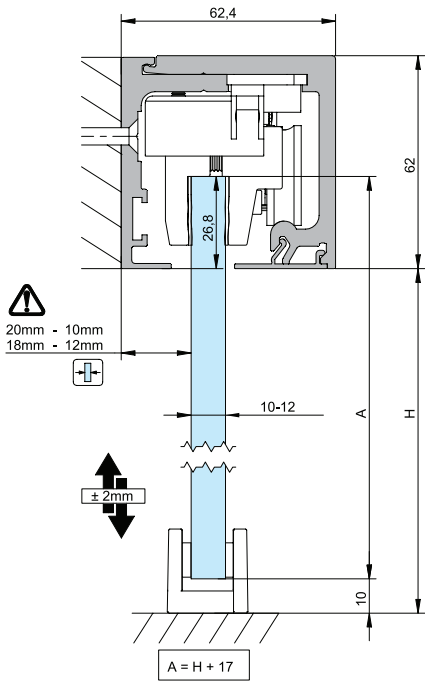


**SV-X150-T1-EC**  
End Caps

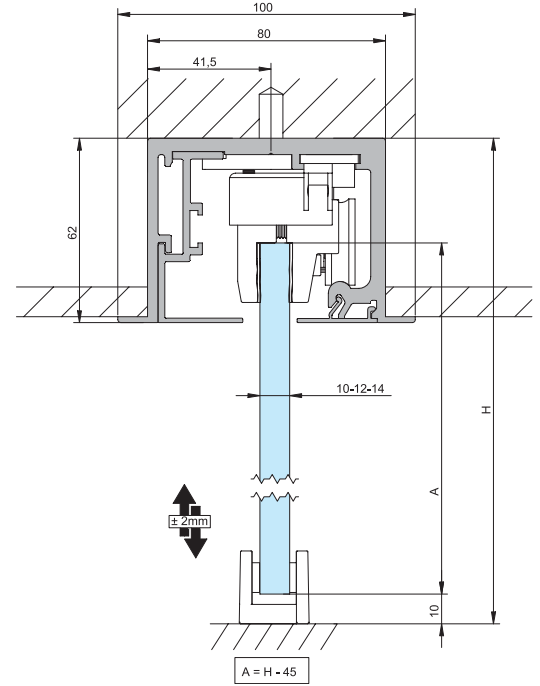
# SV-X150



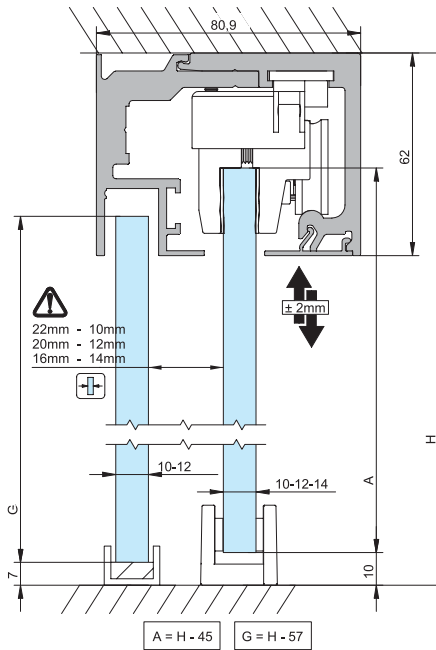
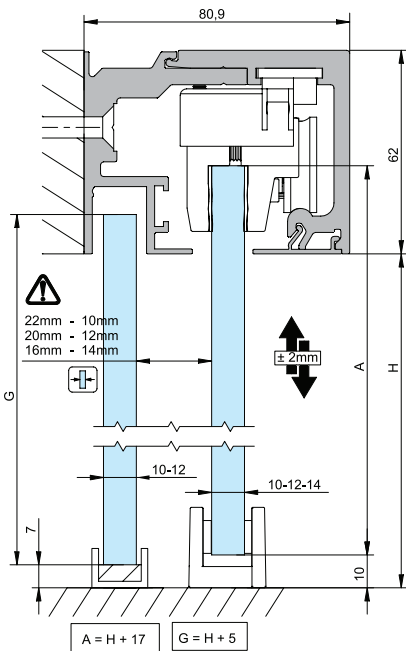
**Track 1**  
 Wall or Ceiling Mount



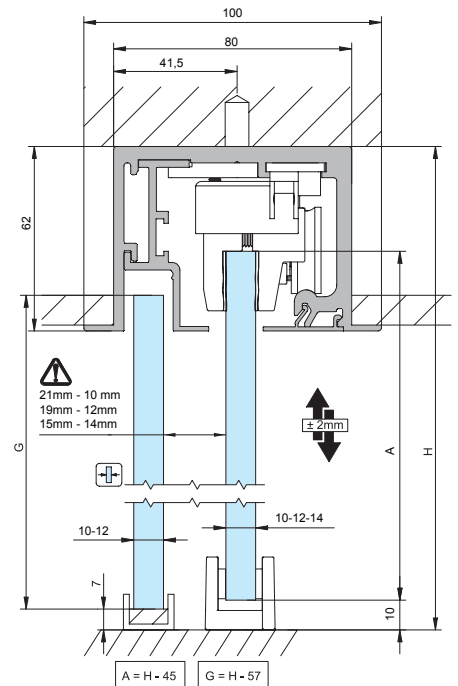
**Track 2**  
 False Ceiling Mount



**Track 3**  
 Wall or Ceiling Mount w/ Fixed Panel



**Track 4**  
 False Ceiling Mount w/ Fixed Panel



## Installation Possibilities

