

Standard 45mm Motorised Cellular Blind

Product Information

Verosol's **Standard 45mm Motorised Cellular Blind** combines the soft appeal of a curtain with the versatility and simplicity of a blind. The ideal solution for heat and light control, and the blind almost disappears when raised. Simple and elegant, with a small stack height and short projection, giving you an uninterrupted view from your home or office window. Powered by Eve MotionBlinds, the 45mm Cellular motorised blind is the ultimate child safe blind.

In addition to the standard motorised, 45mm cellular blinds are available in mono control and cordless operation

Further Information

To find out more information phone Verosol Customer Care on 1800 721 404 or visit www.verosol.com.au



Technical Information

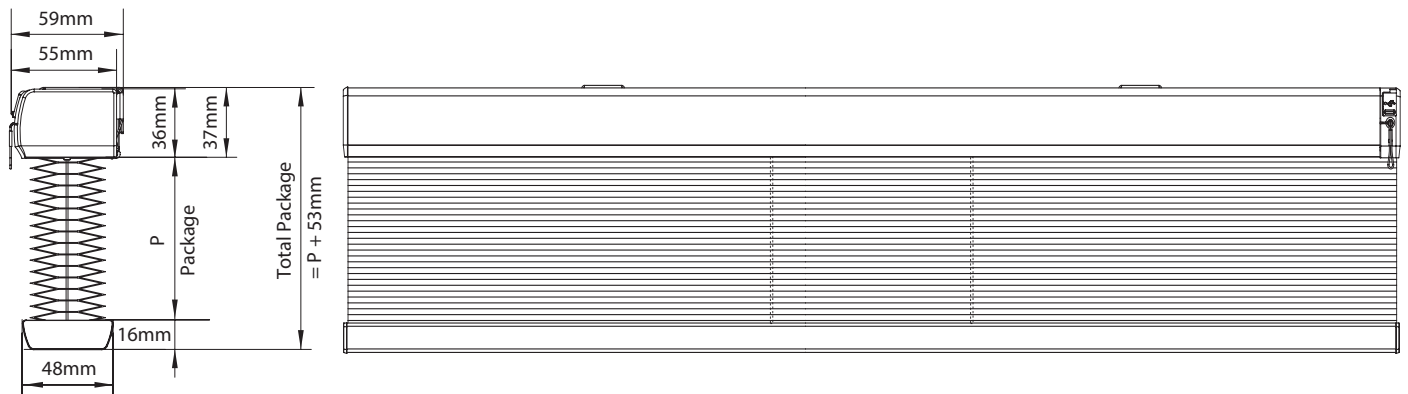
Product Code	P400.4	
Product Name	Standard 45mm Motorised Cellular Blind	
Operation	Hand Operation	
Dimensions	Width	600mm minimum - 3500mm maximum
	Drop	400mm minimum - 3500mm maximum
	Maximum Area	10m ²
Head Rail	Material	Extruded Aluminium Alloy
	Dimensions	52mm W x 36mm H
Bottom Rail	Material	Extruded Aluminium Alloy
	Dimensions	48mm W x 16mm H
	Colours	Coordinated - White, Off White, Silver, Sand, Taupe, Bronze, Anthracite, Black
	Paint	Powder Coated
Inner Rail	Material	H-PVC
End Caps	Material	UV Stabilised Acrylonitrile Butadiene Styrene [ABS] Plastic
	Colour	Coordinated - White, Off White, Silver, Sand, Taupe, Bronze, Anthracite, Black
Lift Cords	Material	Braided Polyester [minimum diameter: 0.8mm]
	Colour	Coordinated
Motor Unit	Type	Wireless Eve MotionBlinds
		12V DC 0.6Nm 34rpm - speed selectable via APP 65dB at 34rpm
Installation Brackets	Material / Operation	Press formed spring steel, powder coated Top or Face Fixing - concealed when installed
	Colour	Coordinated - White, Off White, Silver, Sand, Taupe, Bronze, Anthracite, Black

Turn over for motorised options

Standard 45mm Motorised Cellular Blind

System Diagram

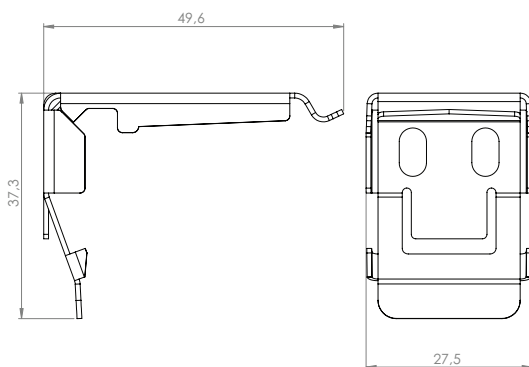
Standard Motorised 45mm Cellular Blind



Motorisation Options

Motor Type	Type	Wireless Eve MotionBlinds
		12V DC 0.6Nm 34rpm - speed selectable via APP 65dB at 34rpm
	Technology	Wireless Thread Matter
	Control Options	Hand Pull Remote Control Smartphone APP Wireless wall and desktop switches
	Power Supply	Battery
	Input	USB-C 5V
	Torque	0.6 Nm
	Speed	34 rpm
	Battery Capacity	8.3Wh 750mAh
Controls	Options	1 & 4 CH Wireless Wall Switch 4CH Wireless Desktop Switch 1, 4, 15 CH Remote Control
	Smart Home	EVE Motion Blinds Smartphone APP Apple HomeKit

Universal Installation Bracket - Face or Reveal Fixing



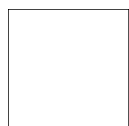
POWERED BY
eve. | MOTIONBLINDS



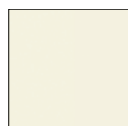
Motorised Controls - Cord Pull | Chain Pull | Wand Pull



Rail Colours



White



Off White



Silver



Sand



Taupe



Bronze



Anthracite



Black