

Universal Appeal

Efficient Open Gas Fires



Brilliant Heat. Beautiful to Watch.

Bring your existing fireplace to life and enjoy exceptional clean heat.



Universal 850 with Iron bark logs, Nova Black front.

Converting your existing inefficient fireplace to a Jetmaster gas fireplace dramatically increases efficiency and transforms your smoky hole in the wall to a beautiful centerpiece. As no flue is required (a Jetmaster will operate beautifully off the existing chimney), the installation is easy and cost effective.

Jetmaster also offers a range of décor options – everything you need to renew your old fireplace and make it work much better than before.



1. Measure the height, depth and width of your fireplace recess.



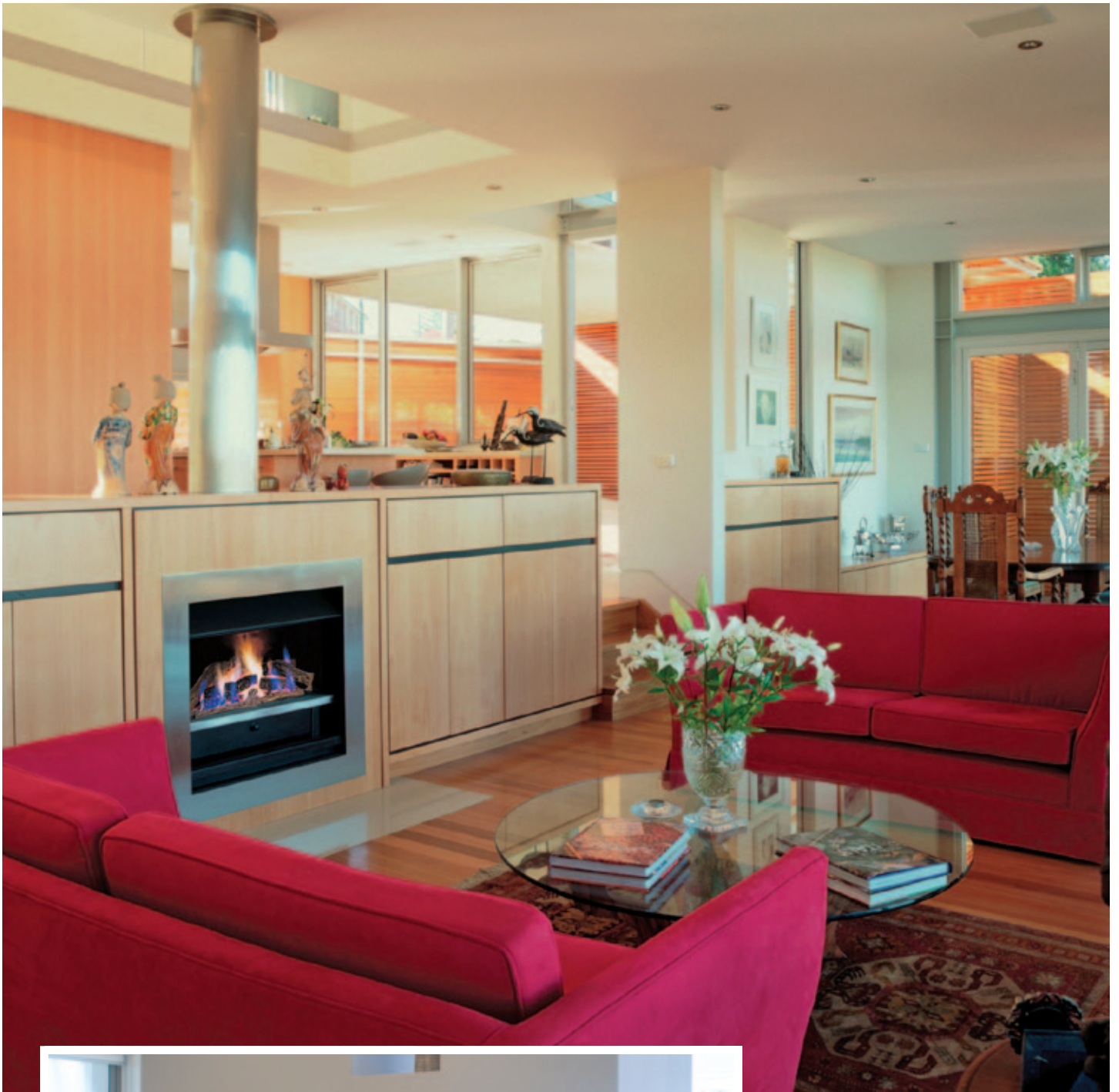
2. Choose the appropriate firebox from a range of sizes.



Universal 700D with Victorian Nickel fascia, Brompton Limestone mantelpiece, Superheat coals with full Spanish Nickel front.



3. Installation complete with Universal 600, plain arch fascia standard coals and Mahogany Richmond mantelpiece.



Universal 700D Topaz Iron bark logs.



Universal 700 See-through, pebbles.

Your fireplace
is the centrepiece
of the room –
make it work...
make it a Jetmaster.

Simply the best...open gas fire around.



Universal 1050low low with Topaz pebbles.

Jetmaster has been warming homes around the world since 1950.

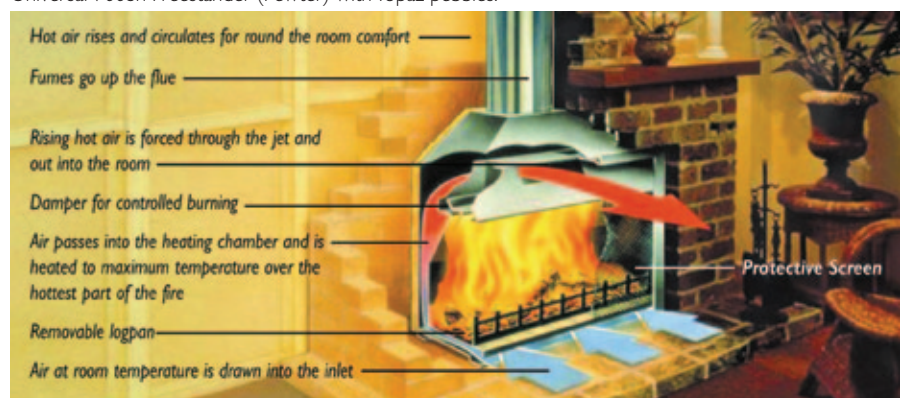
Very little of the original design has changed in that time – why change something which works so well has been the philosophy of Jetmaster.

The original Jetmaster Universal wood fire with its no smoke into the room design and two-way convection and radiant heating system converted so well to burning gas and what worked so well for wood works so well for gas.

What we have changed though, is the efficiency and realism of Jetmaster's unique array of gas fires designed for the 12 Universal firebox sizes, including the stunning iron bark gas burner range with glowing embers and the Topaz range with its wrap-around stainless steel apron in pebbles, logs or coal.



Universal 700Sh Freestander (Pewter) with Topaz pebbles.



Universal Appeal – choose from a range of stylish trim options.

LANDSCAPE TRIMS



Black



Nickel



Bronze Nickel

Choose from 3 and 4 sided black trims.



Choose from 3 and 4 sided stainless-steel trims.



Universal 700SH low pebbles with black landscape trim.



Universal 1050 low pebbles with Nickel landscape trim.



Universal 600 4-sided black trim, Superheat coals, black Nova front.



Universal 850 low Iron bark logs, stainless steel Nova front, 4-sided stainless steel trim.



Universal 850 3-sided stainless steel trim, Topaz stainless steel pebbles.



Universal 700D Iron bark logs, Nova black front and 3-sided black trim.

Classic Universal Appeal

Choose from Jetmaster's ultimate range of Limestone, marble or polished timber and MDF mantelpieces – choose from either Classic, Retro or Plain fascia options with various mantelpiece combinations.



Universal 700D with Modena Limestone mantelpiece, plain square fascia, Iron bark logs, Spanish brass front.



Universal 850 with Victorian Carrara marble mantelpiece, Iron bark with Spanish brass front.



Universal 700D with Marble margins Bouvier mantelpiece and Iron bark logs, Spanish brass front.



Universal 600 with Shire Newton fascia and Topaz Pebbles, Marseilles Pearla Honed Marble mantelpiece.



Universal 700D with Cranbourne mantelpiece with 4-sided Shire Newton fascia, Iron bark logs and Sabre Nickel front.



Universal 700D with plain arch fascia, Brompton Limestone mantelpiece, Iron bark logs with Sabre black front.



Gas burners with more flame, more glow and more heat – at the flick of a wall switch.

With Jetmaster's high variable flame gas input not only do they offer stunning realism but you also get stunning heat as well – as much as up to an estimated 7-8kw* of heat output and because the flame is variable, you have total control of your gas usage.

All Jetmaster gas burners are Australian Gas Association approved which is your absolute guarantee of safety.

*Based on Superheat burner – 72mj input at 40% efficiency.



850 pebbles Topaz stainless steel front.
Suits all 850 series models.
Gas input high 65mj/hr, low 45mj/hr.



Iron bark 700 flat Nova stainless steel front.
Suits 600, 700sh and 700D models. Not suitable for low models. Gas input high 55mj/hr, low 39mj/hr.



1050 Topaz pebbles.
Suits 1050 series models.
Gas input high 65mj/hr, low 45mj/hr.



Super heat coals with Spanish Black front.
Suits all 600–850 series models.
Gas input high 72mj/hr, low 50mj/hr.



Iron bark logs, Spanish brass front.



850 Iron bark Nova black front.
Suits 850, 850low models.
Gas input high 61mj/hr, low 43mj/hr.



Standard coals with picket front.
Suits 440–700sh model series.
Gas input high 55mj/hr, low 39mj/hr.

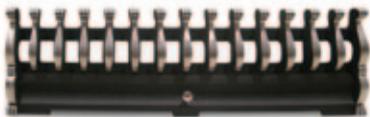


Deluxe coals with picket front. Suits 500 and 600 models. Not suitable for low units.
Gas input high 39mj/hr, low 21mj/hr.



700 Iron bark Sabre black front.

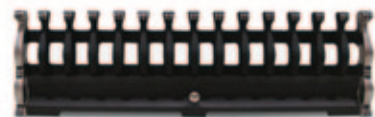
ADDITIONAL BURNER FRONT OPTIONS



Full Spanish Nickel front



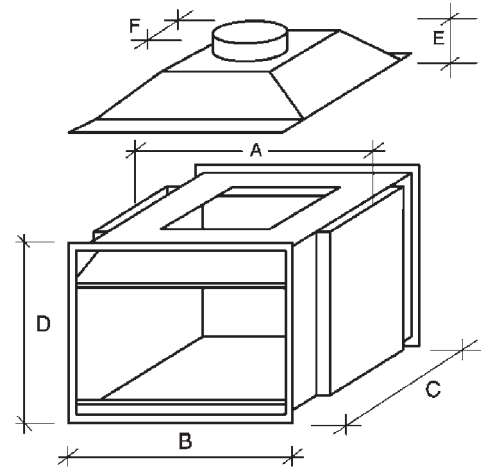
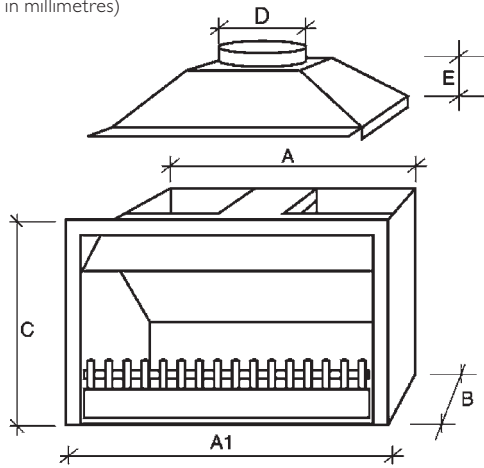
Sabre Nickel front



Spanish Nickel front

Specifications

(Dimensions in millimetres)



Jetmaster Universal

Heating Capacity (Sq.m)

	A	A1	B	C	D	E	Wood	Gas***
440	470	510	330	610	200	200	25	25
500	570	600	350	650	200	200	25	25
600	670	700	350	650	200	200	40	40
600 LOW	670	700	350	600	200	200	40	40
600 LOW LOW	670	700	350	550	200	200	40	40
700SH	770	800	350	650	200	200	50	50
700SH LOW	770	800	350	600	200	200	50	50
700SH LOW LOW	770	800	350	550	200	200	50	50
700D	770	800	400	700	225	200	60*	50
850	920	950	450	750	250	220	80	60
850 LOW	920	950	450	700	250	220	80	60
850 LOW LOW	920	950	450	650	250	220	80	60
1050	1120	1150	500	800	300	240	100	-
1050 LOW LOW	1120	1150	500	700	300	240	100	-
1200	1250	1300	605	1020	250**	400	150	-
1500	1550	1600	605	1020	300**	400	150	-

*Tested to 15Kw at maximum burning.

**Requires 2 flue outlets (single flue option also available).

***Depending on type of burner.

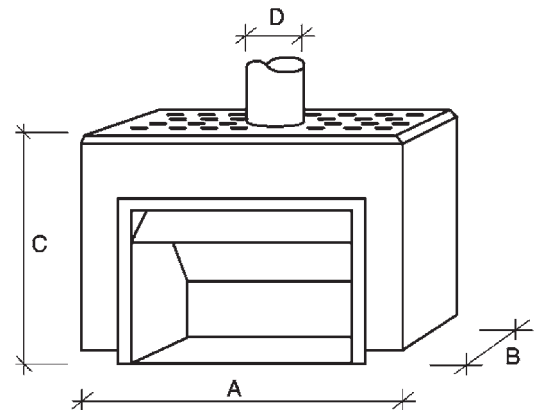
Jetmaster Double Sided

Heating Capacity (Sq.m)

	A	B	C	D	E	F	Wood	Gas**
700	850	800	610	700	220	345*	60	40
1050	1205	1150	600	770	233	455	50	-

*NB: A 300mm flue can be used with gas.

**Depending on type of burner.



Jetmaster Freestanding

Heating Capacity (Sq.m)

	A	B	C	D	Wood	Gas*
600	1000	390	845	200	50	50
700SH	1050	390	845	200	60	50
700D	1100	440	945	225	80	60
850	1200	490	995	250	100	70

*Depending on type of burner.

GAS APPROVED

Jetmaster gas burners are AGA approved as type I appliances.

WOOD APPROVED

Jetmaster Fires have qualified for the National Certificate of Exemption for Solid Fuel Heaters. This certificate is issued under Section 14 of the relevant legislation in that the maximum Carbon Dioxide output from the combustion chamber is less than 5% of the volume of the appliance.

THE JETMASTER GUARANTEE

Provided the Jetmaster Fireplace is installed according to Jetmaster instruction and a Jetmaster receptacle is used for fuel burning, the unit* is unconditionally guaranteed for a period of 15 (fifteen) years (excluding rust) from the date of installation of the fireplace.

*Not including the log pan, glass doors or gas burner.

Call into your nearest Jetmaster showroom

NSW 10 Martin Ave, Arncliffe 02 9597 7222
 167 Eastern Valley Way, Castlecrag 02 9958 1777
 3/10 Salisbury Rd, Castle Hill 02 9680 7279
 17A Lyell St, Mittagong 02 4872 2234
 334 Brunner Rd, Adamstown, Newcastle 02 4952 9299

QLD 59 Pineapple St, Zillmere 07 3263 4955
SA 19 Marlow Rd, Keswick, Adelaide 08 8371 1222
VIC 444 Swan St, Victoria 03 9429 5573
WA 277 Lord St, East Perth 08 9228 2600

www.jetmaster.com.au



Brilliant Heat. Beautiful to Watch.

Disclaimer: All products are subject to availability and may be changed without notice.