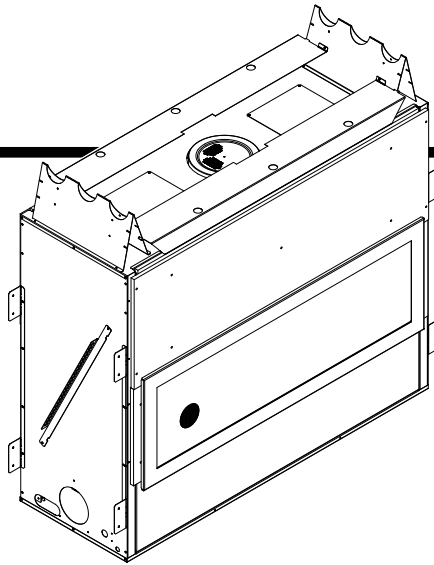


### Models:

RED40-N-AU

RED40ST-N-AU



International Association of  
Plumbing and Mechanical Officials

Ref No: GMK10107  
AS4553:2008

### NOTICE



#### DO NOT DISCARD THIS MANUAL

- Important operating and maintenance instructions included.
- Read, understand and follow these instructions for safe installation and operation.
- Leave this manual with party responsible for use and operation.

**DO NOT  
DISCARD**

**⚠ WARNING:** If the information in these instructions is not followed exactly, a fire or explosion may result causing property damage, personal injury, or death.

- **DO NOT USE OR STORE FLAMMABLE MATERIALS NEAR THIS APPLIANCE.**
- **DO NOT SPRAY AEROSOLS IN THE VICINITY OF THIS APPLIANCE WHILE IT IS IN OPERATION.**
- **What to do if you smell gas**
  - **DO NOT** try to light any appliance.
  - **DO NOT** touch any electrical switch. **DO NOT** use any phone in your building.
  - Immediately call your gas supplier from a neighbor's phone. Follow the gas supplier's instructions.
  - If you cannot reach your gas supplier, call the fire department.
- Installation and service must be performed by a qualified installer, service agency, or the gas supplier.

### ⚠ WARNING



#### HOT SURFACES!

Glass and other surfaces are hot during operation AND cool down.

#### Hot glass will cause burns.

- **DO NOT** touch glass until it is cooled
  - **NEVER** allow children to touch glass
  - Keep children away
  - **CAREFULLY SUPERVISE** children in same room as fireplace.
  - Alert children and adults to hazards of high temperatures.
- High temperatures may ignite clothing or other flammable materials.**
- **DO NOT** place articles on or against this appliance.
  - Keep clothing, furniture, draperies and other flammable materials away.

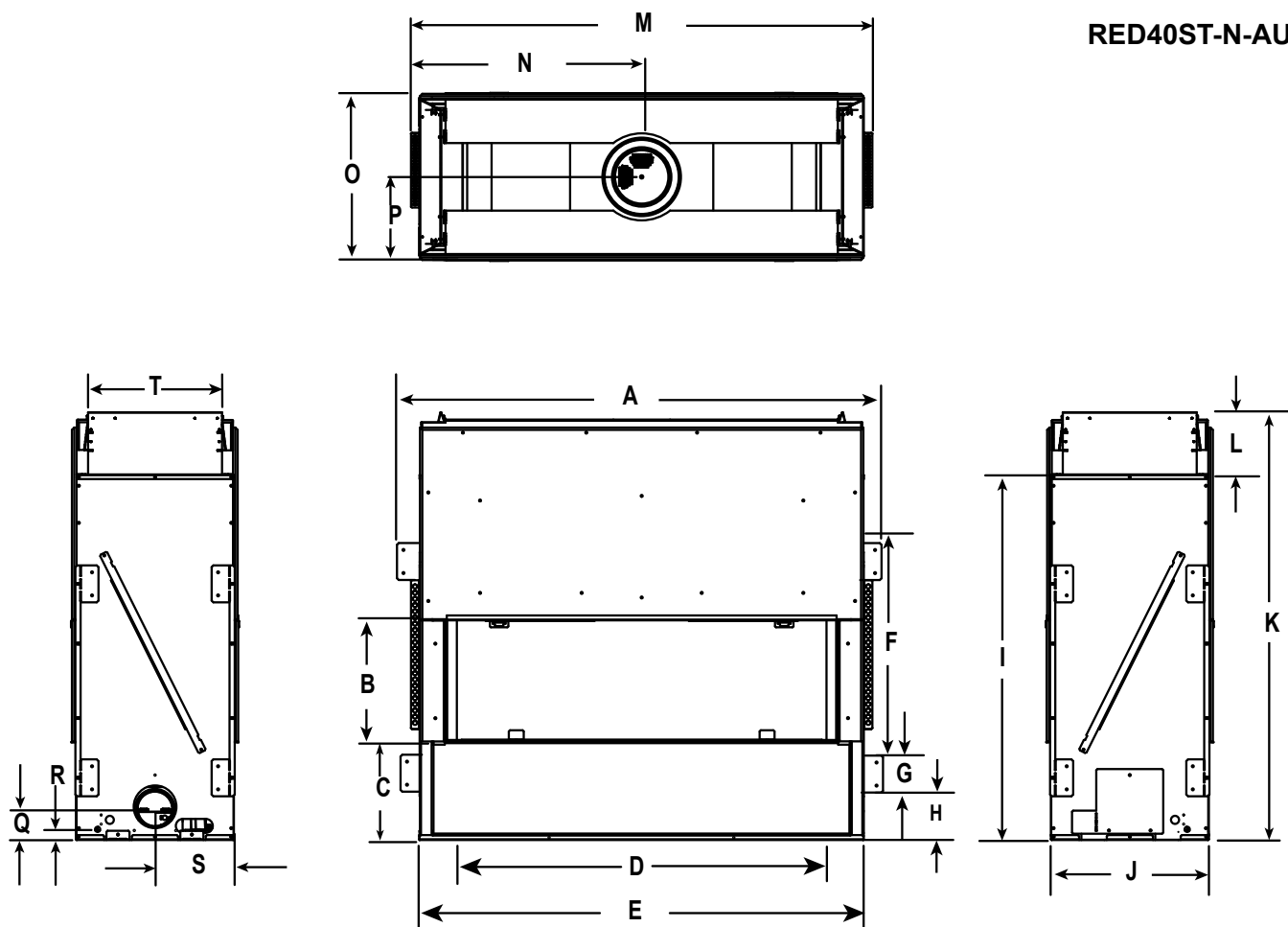
***This appliance has been supplied with an integral barrier to prevent direct contact with the fixed glass panel. DO NOT operate the appliance with the barrier removed.***

Contact your dealer or Hearth & Home Technologies if the barrier is not present or help is needed to properly install one.

This is a room sealed appliance and no other ventilation is required than what is provided.

**WARNING! DO NOT modify this appliance.**

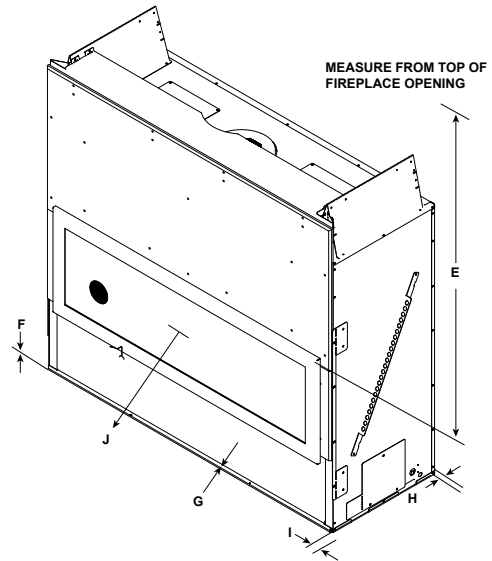
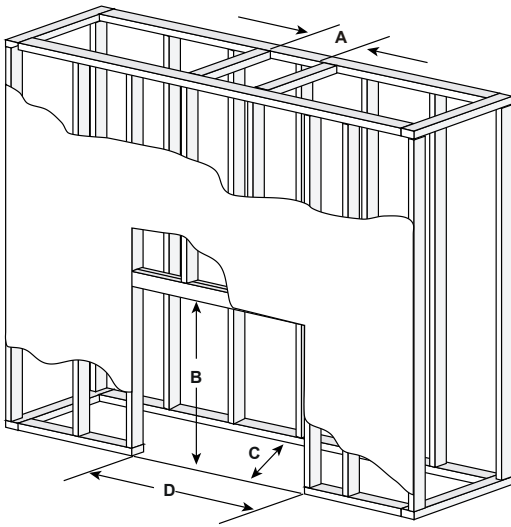
**RED40ST-N-AU**



Location	Inches	Millimeters
A	52	1321
B	13-3/16	335
C	10-3/4	273
D	42-3/4	1086
E	48-1/8	1222
F	21	533
G	4	102
H	4-3/4	121
I	42-15/16	1090
J	17-1/8	435

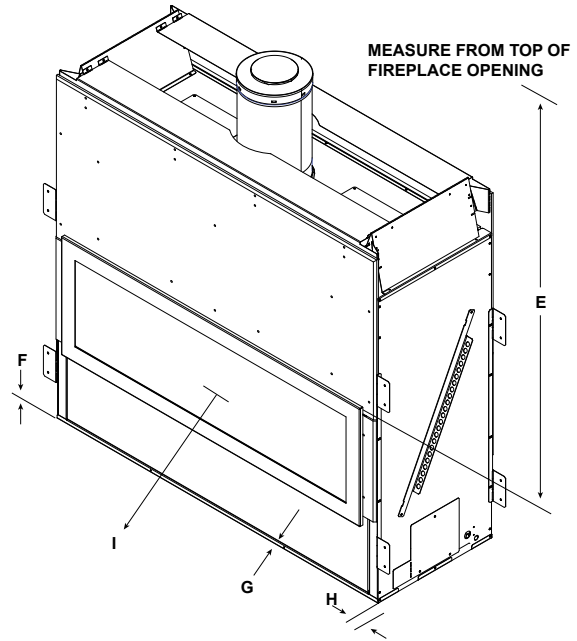
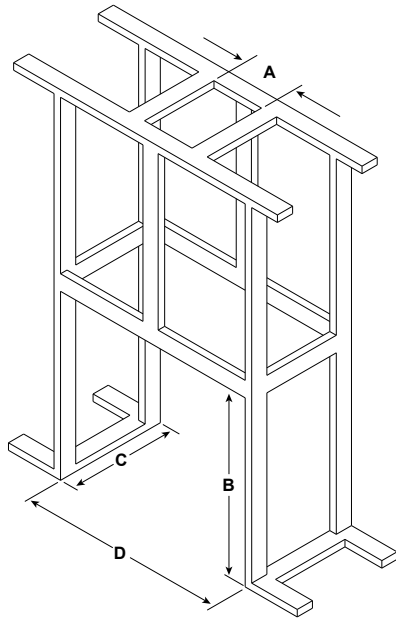
Location	Inches	Millimeters
K	46-3/4	1187
L	7	178
M	50-1/8	1273
N	25-1/16	637
O	17-7/8	455
P	9	227
Q	3-3/4	95
R	1-1/2	38
S	8-1/2	216
T	14-1/2	368

**Figure 16.2 Appliance Dimensions RED40ST-N-AU**



MINIMUM FRAMING DIMENSIONS*										
	A	B	C	D	E	F	G	H	I	J
	Rough Opening (Vent Pipe)	Rough Opening (Height)	Rough Opening (Depth)	Rough Opening (Width)	Clearance to Ceiling	Combustible Floor	Combustible Flooring	Behind Appliance	Sides of Appliance	Front of Appliance
Inches	10	46-3/4	18-1/4	50-1/4	31	0	0	1	1	36
Millimeters	254	1187	464	1276	787	0	0	25	25	914

Figure 5.4. Clearances to Combustibles-RED40



MINIMUM FRAMING DIMENSIONS*									
	A	B	C	D	E	F	G	H	I
	Rough Opening (Vent Pipe)	Rough Opening (Height)	Rough Opening (Depth)	Rough Opening (Width)	Clearance to Ceiling	Combustible Floor	Combustible Flooring	Sides of Appliance	Front or Rear of Appliance
Inches	10	46-3/4	17-1/4	50-1/4	31	0	0	1	36
Millimeters	254	1187	438	1276	787	0	0	25	914

Figure 5.5. Clearances to Combustibles-RED40ST

**⚠ WARNING**



Fire Risk. Explosion Risk.  
 Do NOT pack insulation or other combustibles between ceiling firestops.  
 • ALWAYS maintain specified clearances around venting and firestop systems.  
 • Install wall shield and ceiling firestops as specified.  
 Failure to keep insulation or other material away from vent pipe may cause fire.



**Top Vent - Horizontal Termination  
 Venting with 1 elbow**

V <sub>1</sub> Minimum		H <sub>1</sub> Maximum	
1 ft.	305 mm	2 ft.	610 mm
2 ft.	610 mm	6 ft.	1829 mm
3 ft.	914 mm	9 ft.	2743 mm
4 ft.	1219 mm	12 ft.	3658 mm
5 ft.	1524 mm	15 ft.	4572 mm
6 ft.	1829 mm	18 ft.	5486 mm
7 ft.	2134 mm	21 ft.	6401 mm
8 ft.	2438 mm	24 ft.	7315 mm
V <sub>1</sub> + H <sub>1</sub> = 63 ft. (19.2 m) Maximum			

**Note:** 12 in. (305 mm) minimum vertical is required prior to attaching any elbow to the appliance.

**Note:** Use DVP Series components only.

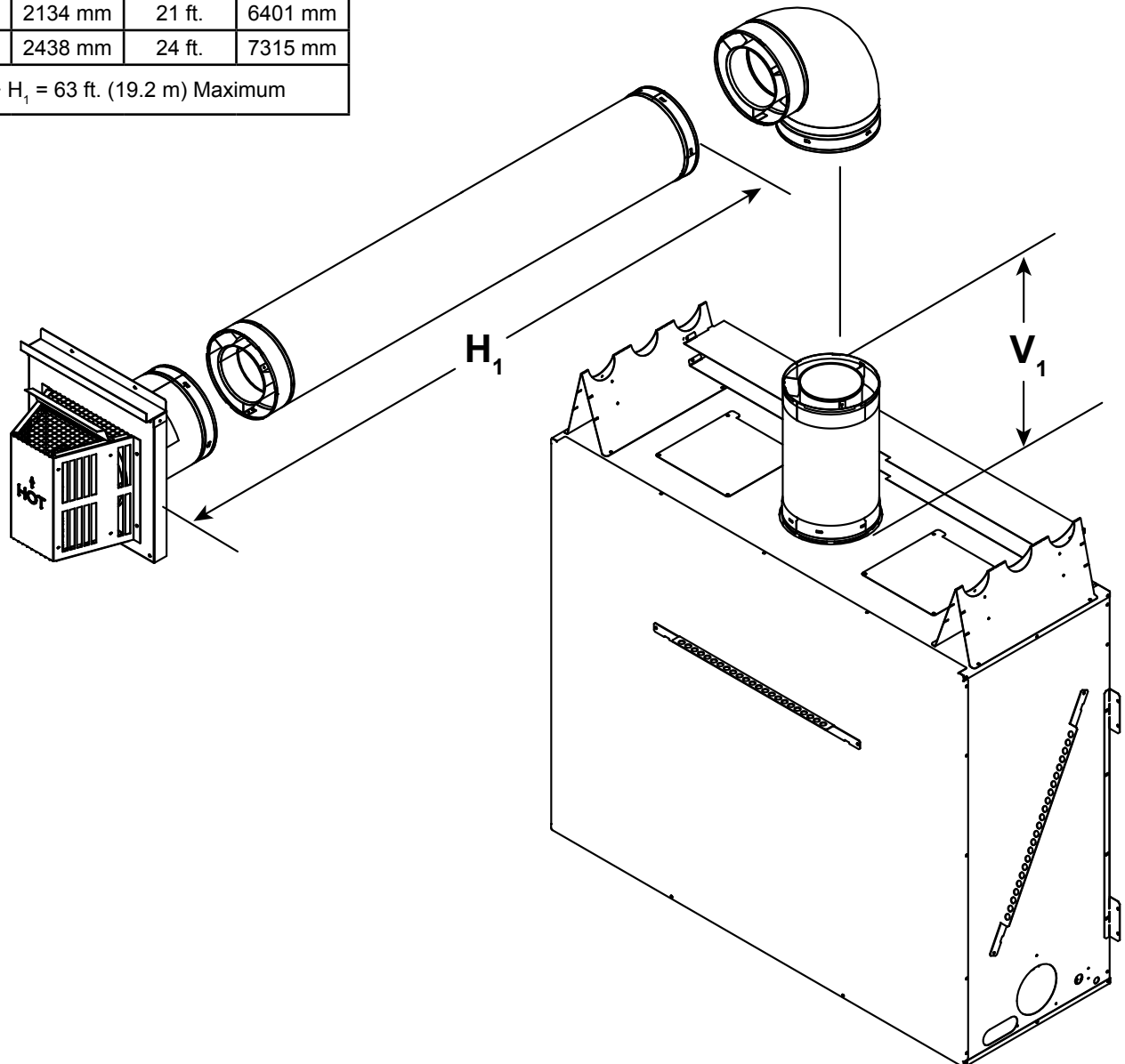


Figure 7.4

# 1. Top Vent - Horizontal Termination - (continued)

## Top Vent - Horizontal Termination Venting with 2 elbows

V <sub>1</sub> Minimum		H <sub>1</sub> + H <sub>2</sub> Maximum	
1 ft.	305 mm	2 ft.	610 mm
2 ft.	610 mm	6 ft.	1829 mm
3 ft.	914 mm	9 ft.	2743 mm
4 ft.	1219 mm	12 ft.	3658 mm

V<sub>1</sub> + H<sub>1</sub> + H<sub>2</sub> = 63 ft. (19.2 m) Maximum  
H<sub>1</sub> + H<sub>2</sub> = 23 ft. (7.1 m) Maximum

**Note:** 12 in. (305 mm) minimum vertical is required prior to attaching any elbow to the appliance.

**Note:** Use DVP Series components only.

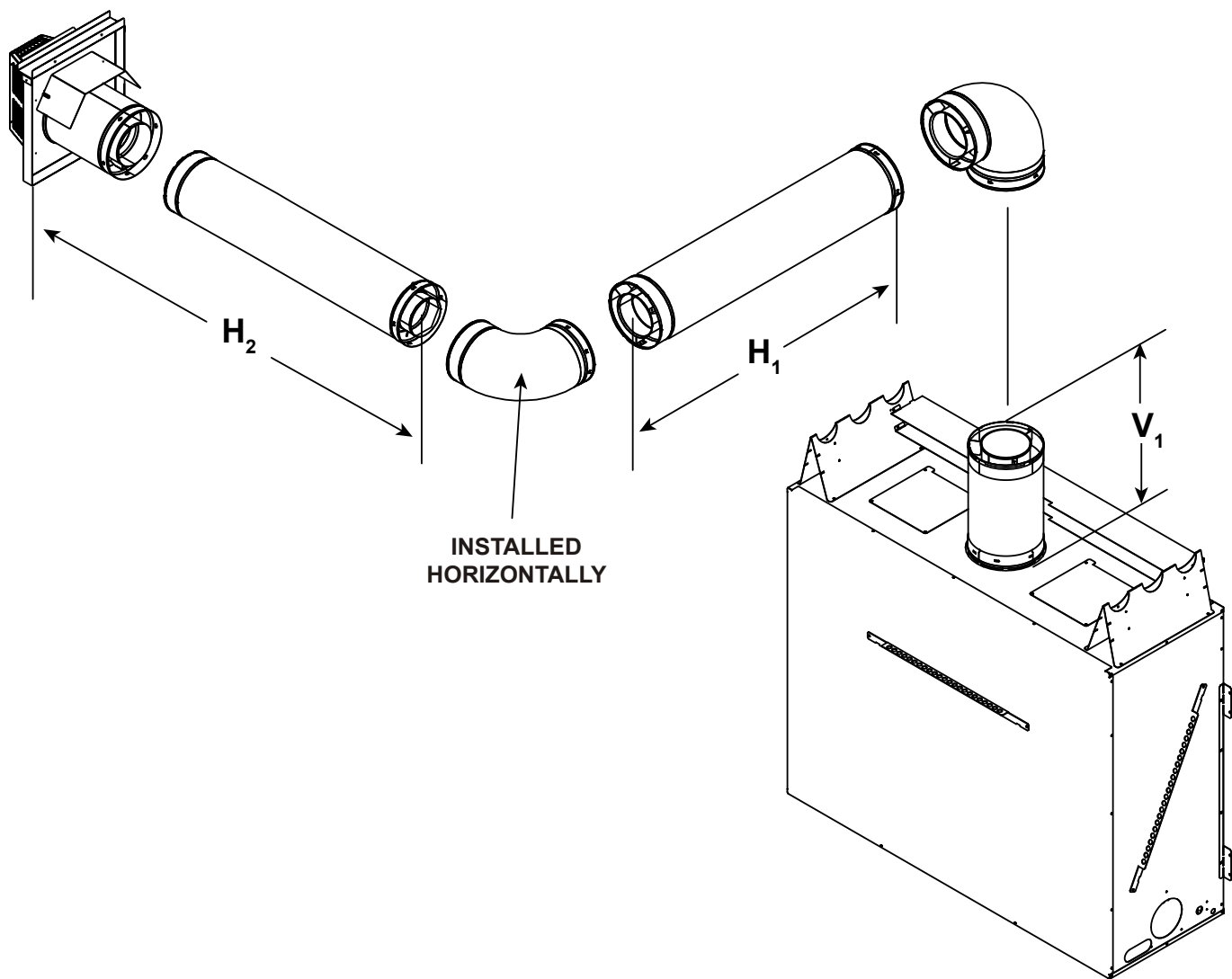


Figure 7.5

# 1. Top Vent - Horizontal Termination - (continued)

## Top Vent - Horizontal Termination Venting with 3 elbows

V <sub>1</sub> + V <sub>2</sub> Minimum		H Maximum	
1 ft.	305 mm	2 ft.	610 mm
2 ft.	610 mm	6 ft.	1829 mm
3 ft.	914 mm	9 ft.	2743 mm
4 ft.	1219 mm	12 ft.	3658 mm
5 ft.	1524 mm	15 ft.	4572 mm
V <sub>1</sub> + V <sub>2</sub> + H <sub>1</sub> + H <sub>2</sub> = 63 ft. (19.2 m) Maximum H <sub>1</sub> + H <sub>2</sub> = 23 ft. (7.1 m) Maximum			

**Note:** 12 in. (305 mm) minimum vertical is required prior to attaching any elbow to the appliance.

**Note:** Use DVP Series components only.

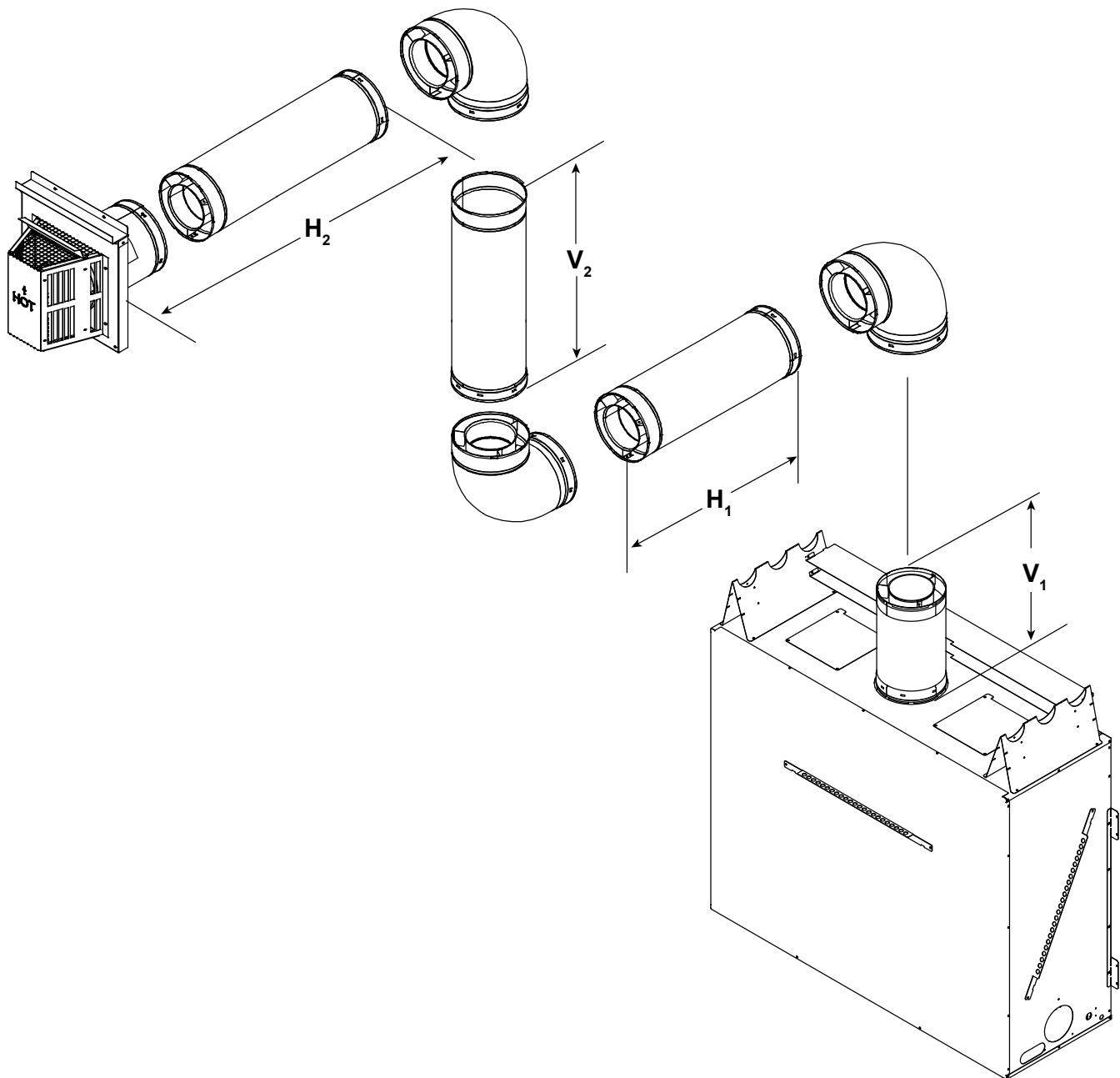


Figure 7.6

## Top Vent - Vertical Termination No Elbows

**V = 3 ft Min. (1m), 50 ft. Max. (15.2 m)**

**Note:** If installing a vertical vent/termination off the top of the appliance, the optional exhaust restrictor may be needed.

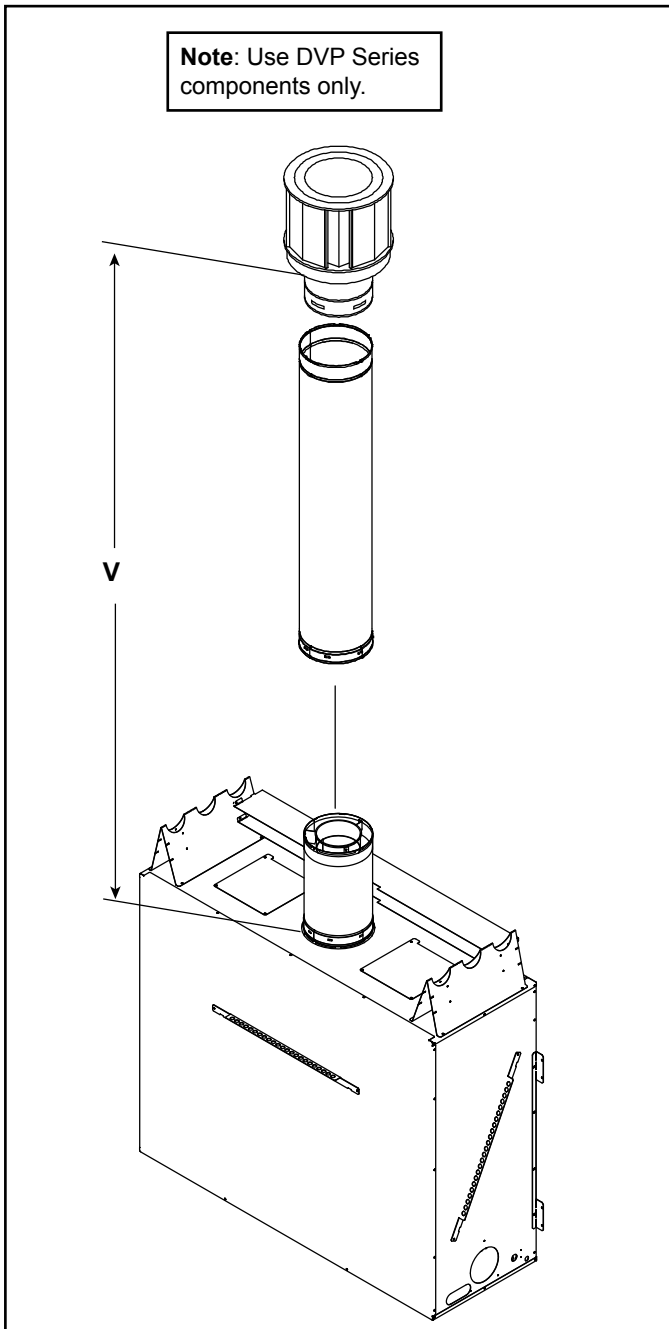


Figure 7.7 Vertical Vent Maximum

Exhaust restrictors are recommended for these vertically terminated products which have excessive draft. Exhaust restrictors will compensate for high draft, and restore visual flame height. If the vent configuration has a total vertical of 20-50 ft (6 m -15.24 m), an exhaust restrictor may be needed. The exhaust restrictor can be located in the appliance manual bag.

## Exhaust restrictor Instructions

1. Locate the two pilot holes in the inside firebox chamber as shown in Figure 7.8.
2. Center the exhaust restrictor such that the thru holes in the vent restrictor align with the pilot holes in the inner firebox chamber.
3. Use two 1/2 in. (13 mm) self-piercing screws to secure vent restrictor to firebox heat shield. See Figure 7.8.

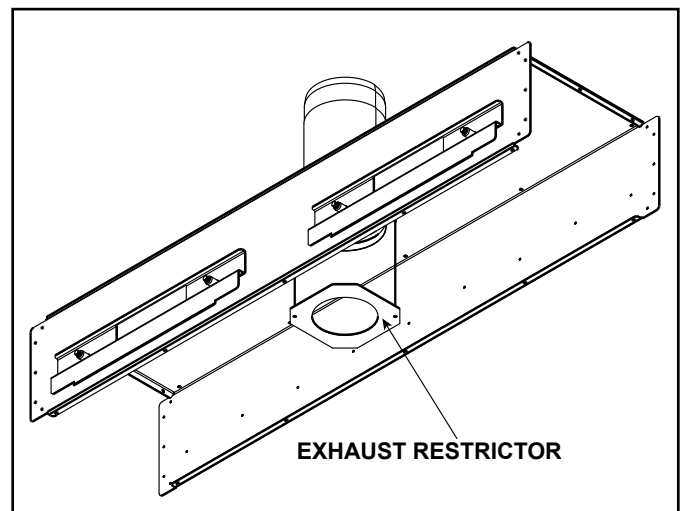


Figure 7.8 Exhaust Restrictor

4. In some applications, such as those where the fireplace is elevated off the floor, the vent restrictor may be painted, but painting is not required.
5. Recommended restrictor usage:  
20 to 30 ft. (6 m to 9.1 m) = 4 in. (102 mm) restrictor  
30 ft. (9.1 m) and up = 3 in. (76 mm) restrictor

**NOTICE:** Before painting, contact your dealer for information on the appropriate high temperature paint.

## Top Vent - Vertical Termination Venting with 2 elbows

$V_1 + V_2$ Minimum		H Maximum	
1 ft.	305 mm	2 ft.	610 mm
2 ft.	610 mm	4 ft.	1219 mm
3 ft.	914 mm	9 ft.	2743 mm
4 ft.	1219 mm	12 ft.	3658 mm
5 ft.	1524 mm	15 ft.	4572 mm
$V_1 + H_1 + V_2 = 63 \text{ ft. (19.2 m)}$ Maximum			
$H_1 + H_2 = 23 \text{ ft. (7.1 m)}$ Maximum			

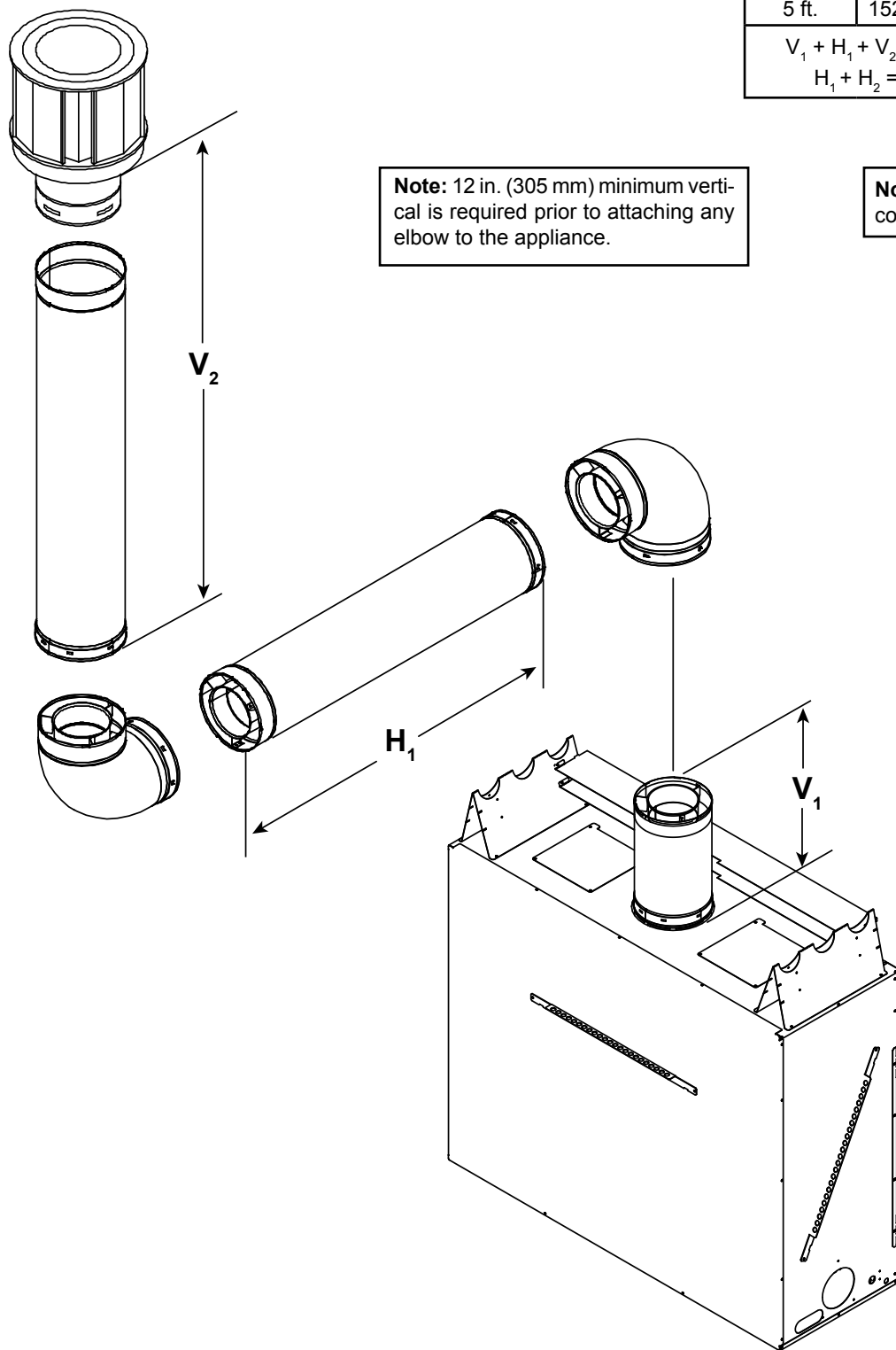


Figure 7.9



## Top Vent - Vertical Termination Venting with 3 elbows

**Note:** Use DVP Series components only.

**Note:** 12 in. (305 mm) minimum vertical is required prior to attaching any elbow to the appliance.

$V_1 + V_2$ Minimum		$H_1 + H_2$ Maximum	
1 ft.	305 mm	2 ft.	610 mm
2 ft.	610 mm	4 ft.	1219 mm
3 ft.	914 mm	9 ft.	2743 mm
4 ft.	1219 mm	12 ft.	3658 mm
5 ft.	1524 mm	15 ft.	4572 mm
$V_1 + V_2 + H_1 + H_2 = 63 \text{ ft. (19.2 m) Maximum}$ $H_1 + H_2 = 23 \text{ ft. (7.1 m) Maximum}$			

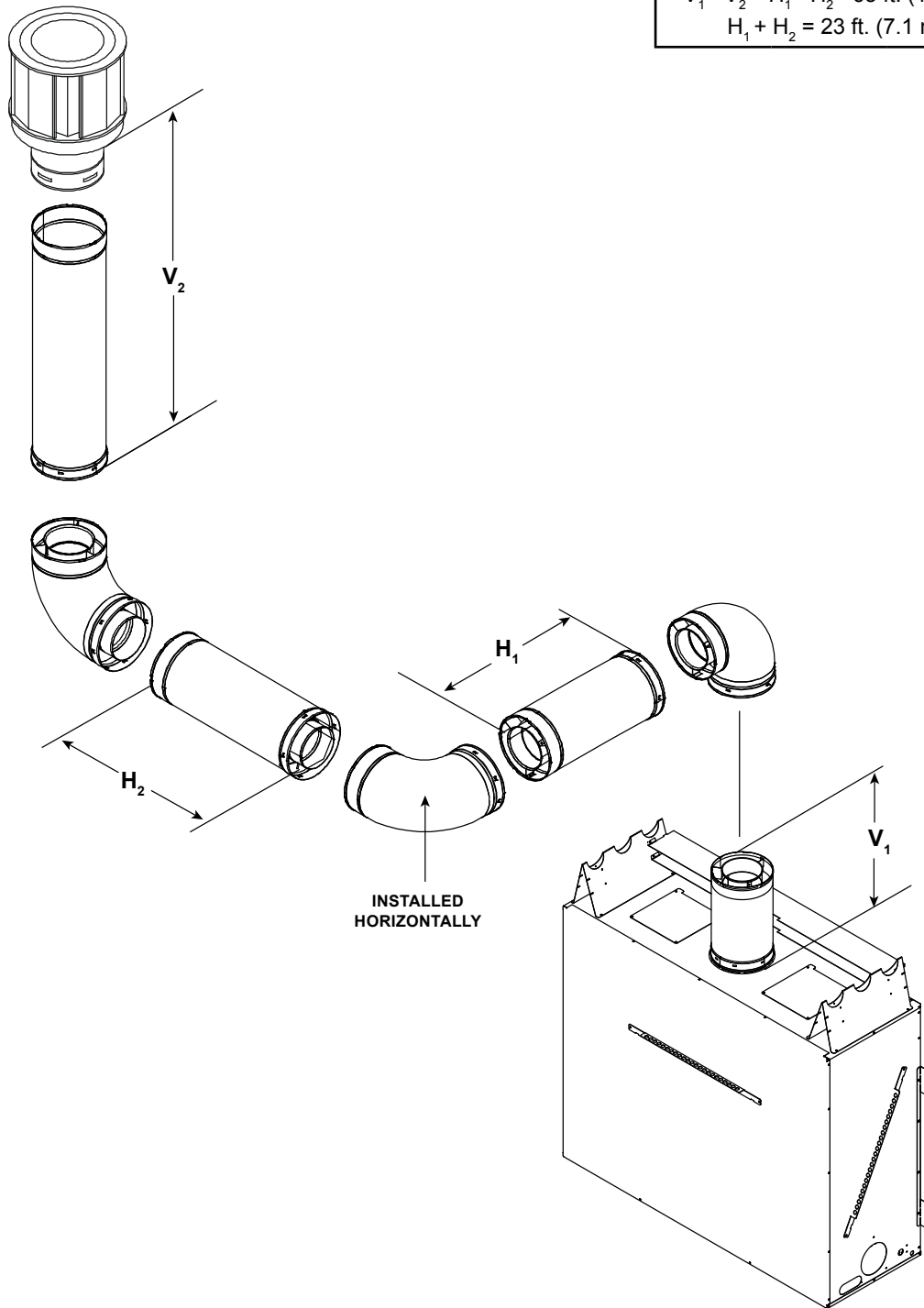


Figure 7.10