



Designed for removable panels,
the award winning Fastmount® hidden
mounting system delivers a flawless
finish with perfect alignment every time.



Perfect panel mounting. Every time.



The secret to Fastmount is the unique set of design registered interchangeable clips ideal for secure fastening. With Fastmount, interior panels can be easily removed and refitted in any sequence, time after time.

Combining speed, versatility and accuracy, the Fastmount system enables designers, installers and contractors to re-think the panelling process. Fastmount is designed to perform on sea, land and in the air. Applications of use are only limited by your imagination and common sense.

BENEFITS

- No visible fixings
- Eliminates panel damage – install panels during final build stages
- Variety of mounting options – self tapping, glue and screw fix
- Allows for panel flex and expansion
- Provides cavities for services and enhanced acoustics
- Shorter downtime for clients during refit

APPLICATIONS

- Ceilings, walls, feature panels, furniture and upholstery
- Access, inspection and ventilation panels
- Interior and selected exterior applications
- Upholstered, painted, prefinished, composite and acoustic panels
- Mounts into a wide variety of substrates e.g. GRP, composite, honeycomb
- New build, refit and upgrades



MARINE



ARCHITECTURE



AVIATION



RV

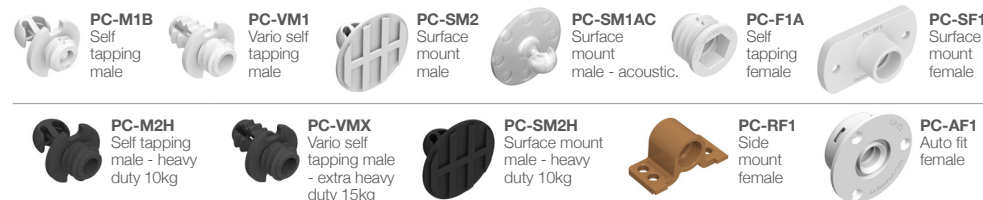
TRY FASTMOUNT

Contact your local distributor or request a trial kit online.



STANDARD PC RANGE

Please note, some products are not to scale



LOW PROFILE LP RANGE



VERY LOW PROFILE VL RANGE



TEXTILE TC RANGE



METAL MC RANGE



The secret behind
a perfect finish.

• PC-F1A + PC-M1B



Panel mounting solution:
PC-F1A - substrate
PC-M1B - panel

Contents

PRODUCT RANGES

3

Standard Range	3
Low Profile Range	7
Very Low Profile Range	9
Metal Range	11
PanelSafe Range	12
Textile Range	13
Fastmount Tools	15
Sample Panels	19
Trial Kits	20

PRODUCT SHEETS AND INSTALLATION GUIDES

23

Standard Range	23
Low Profile Range	39
Very Low Profile Range	47
Metal Range	51
PanelSafe Range	55
Textile Range	63

TECHNICAL INFORMATION

69

TD-02 Small or Lightweight Ceiling Panel Layout Guide for All Ranges	71
TD-08 Large Wall Panel Layout Guide for Low Profile Range	72
TD-09 Large Wall Panel Layout Guide for Standard Range	73
TD-12 Heavy or Large Ceiling Panel Layout Guide for Standard and Metal Ranges	74
Selection Guide - Architectural	75
Selection Guide - Marine	77
Frequently Asked Questions	79
Maintenance Guide	81

WHERE TO BUY

82

Fastmount Authorised Distributors

82

Welcome to Fastmount
panel mounting solutions.

• LP-SM8AS + LP-F8

• MC-M5
+ MC-F5



Panel mounting solution:
LP-SM8AS - wall panel
LP-F8 - substrate
MC-M5 - floor panel
MC-F5 - substrate

STANDARD PC RANGE

PC



Standard profile range of female and male clips, suitable for most panel mounting applications.

The international award winning Fastmount Standard Range is ideal for removable ceiling and wall panels. Designed and made in New Zealand, all clips are interchangeable. This hidden fixing system offers self-tapping and surface mount options for versatile panel mounting on a variety of surfaces. Use Fastmount installation and removal tools to ensure quality installation and performance.



PC-M1B STANDARD SELF TAPPING MALE CLIP

Male self tapping clip suitable for most panel types.

Mounts into PC-F1A, PC-SF1, PC-RF1 and PC-AF1. 5kg pull out load per clip. Screws into 10mm hole with CT-01 or CT-09. Minimum panel thickness 6mm. Install with CT-10.

See pages 23, 33, 34 for more technical details.



PC-M2H STANDARD SELF TAPPING CLIP MALE HEAVY DUTY 10KG

Male self tapping heavy duty clip for thicker panels with increased loading.

Mounts into PC-F1A, PC-SF1, PC-RF1 and PC-AF1. 10kg pull out load per clip. Minimum panel thickness 9mm. Screws into 10mm hole with CT-10.

See pages 24, 33, 34 for more technical details.



PC-VM1 VARIO SELF TAPPING CLIP MALE 5KG

Male self tapping clip with variable gap and high shear strength.

Mounts into PC-F1A, PC-SF1, PC-RF1 and PC-AF1. 5kg pull out load per clip. Minimum panel thickness 9mm. Screws into 10mm hole with CT-10.

See pages 25, 33, 34 for more technical details.



PC-VMX VARIO SELF TAPPING MALE CLIP EXTRA HEAVY DUTY 15KG

Male self tapping clip with variable gap and high shear strength.

Mounts into PC-F1A, PC-SF1, PC-RF1, PC-AF1. Extra heavy duty clip with 15kg pull out load. Minimum panel thickness 9mm. Screws into 10mm hole with CT-10.

See pages 25, 33, 34 for more technical details.



PC-SM2 STANDARD SURFACE MOUNT MALE CLIP

Male surface mount clip with SuperGroove® base for thinner panels.

Mounts into PC-F1A, PC-SF1, PC-RF1 and PC-AF1. 5kg pull out load per clip. Glue fix with Fastmount SuperGroove Adhesive. No special tools required for installation. Incorporates the patented SuperGroove system.

See pages 26, 33, 34, 35, 36, 38 for more technical details.

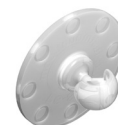


PC-SM2H STANDARD SURFACE MOUNT MALE CLIP HEAVY DUTY 10KG

Male surface mount heavy duty clip with SuperGroove base for increased loading.

Mounts into PC-F1A, PC-SF1, PC-RF1 and PC-AF1. 10kg pull out load per clip. Glue fix with Fastmount SuperGroove Adhesive. No special tools required for installation. Incorporates the patented SuperGroove® system.

See pages 27, 33, 34, 35, 36, 38 for more technical details.



PC-SM1AC STANDARD SURFACE MOUNT MALE CLIP TRANSLUCENT FOR ACOUSTIC 2KG

Male surface mount clip for use with acoustic panels. Mounts into PC-F1A, PC-SF1, PC-RF1 and PC-AF1. Glue fix with Fastmount SuperGroove Adhesive or other suitable epoxy glue. No special tools required for installation.

See pages 23, 33, 34, 35, 36, 38 for more technical details.

NEW PRODUCT



PC-F1A STANDARD SELF TAPPING FEMALE CLIP

Female self tapping clip suitable for most panel mounting applications.

Compatible with male clips PC-M1B, PC-M2H, PC-SM2, PC-SM2H, PC-VM1, PC-VMX and PC-SM1AC. Screws into 16.8mm hole made with CT-07 or CT-13A. Install with CT-03.

See pages 23, 33, 34 for more technical details.



PC-SF1 STANDARD SURFACE MOUNT FEMALE CLIP

Female surface mount screw fix clip for use where a cavity is required.

Compatible with male clips PC-M1B, PC-M2H, PC-SM2, PC-SM2H, PC-VM1, PC-VMX and PC-SM1AC. Screws onto support frame. No special tools required for installation.

See pages 28, 35, 36 for more technical details.



PC-RF1-B STANDARD SIDE MOUNT FEMALE CLIP (BROWN)

Female side mounting screw fix clip suitable for various side mounting applications.

Compatible with male clips PC-M1B, PC-M2H, PC-SM2, PC-SM2H, PC-VM1, PC-VMX and PC-SM1AC. Screw fix to frame. Use CT-18 install jig for ceiling applications.

See pages 31, 38 for more technical details.



PC-AF1 STANDARD AUTO FIT FEMALE CLIP

Female push fit clip suitable for applications requiring lateral adjustment.

Compatible with male clips PC-M1B, PC-M2H, PC-SM2, PC-SM2H, PC-VM1, PC-VMX and PC-SM1AC. Screw fix into pre-drilled 35mm hole. No special tools required for installation.

See page 32 for more technical details.



STANDARD RANGE FASTMOUNT TOOLS

CP-01ST



CT-01



CT-09



CT-07



CT-13A



CT-15



CT-03



CT-10



CT-05



CT-17



CT-08



CT-06S



CT-09DG



CT-18DG



Change panels whenever you want.



ASB Bank, New Zealand

• LP-DF8 + LP-SM8AS



Panel mounting solution:
LP-DF8 - drywall
LP-SM8AS - panel

LOW PROFILE LP RANGE



Low Profile Range of female and male clips suitable for panel applications that require less depth compared to the Standard Range.

The Low Profile Range offers both self-tapping and surface mount options for mounting removable wall panels, bed heads, thin walled and curved panels onto substrates such as MDF, drywall and foam core.

Use Fastmount installation and removal tools to ensure quality installation and performance. Incorporates the patented SuperGroove® system.



LP-M8A LOW PROFILE SELF TAPPING MALE CLIP

Male low profile self tapping clip for plywood and MDF type boards.

Mounts into LP-F8 and LP-DF8. 5kg pull out load per clip. Screws into 10mm hole with CT-09. Install with CT-10.

See pages 39, 40, 41, 42, 43, 44, 45 for more technical details.



LP-SM8AS LOW PROFILE SURFACE MOUNT MALE CLIP

Male low profile surface mount clip with SuperGroove base for thinner panels.

Mounts into LP-F8 and LP-DF8. 5kg pull out load per clip. Screw or glue fix with Fastmount SuperGroove Adhesive. No special tools required for installation.

See pages 39, 40, 41, 42, 43, 44, 45, 46 for more technical details.



LP-F8 LOW PROFILE SELF TAPPING FEMALE CLIP

Female low profile self tapping clip for use with plywood and MDF type boards.

Compatible with male clips LP-M8A & LP-SM8AS. Install with CT-19 into 25-25.4mm hole.

See pages 39, 44, 45, 46 for more technical details.



LP-DF8 LOW PROFILE SELF TAPPING FEMALE CLIP COARSE TREAD

Female low profile self tapping clip with coarse thread for use with drywall plasterboard and soft core material.

Compatible with male clips LP-M8A and LP-SM8AS. Install with CT-19 into 25mm hole.

See pages 41, 42, 43, 46 for more technical details.



LP-AF8 LOW PROFILE FEMALE CLIP AUTOFIT

Female low profile push fit clip with lateral adjustment designed for use with curved panels.

Compatible with male clips LP-M8A and LP-SM8AS. Screw or glue fix with Fastmount SuperGroove Adhesive into pre-drilled 35mm hole.

See pages 40, 46 for more technical details.

LOW PROFILE RANGE FASTMOUNT TOOLS

CP-08ST



CT-01



CT-09



CT-10



CT-19



CT-20



CT-05



CT-17



LP-08Y



CT-09DG



VERY LOW PROFILE VL RANGE



Very Low Profile Range of female and male clips designed for surface or recessed mounting with the least space between panel and substrate.

The Very Low Profile Range is perfect for mounting removable thin wall panels and facings, requiring less depth than other Fastmount ranges. This hidden fixing system may be screw or glue fixed, with no special tools required for installation.

Designed and manufactured in New Zealand, all clips are interchangeable within the range. Incorporates the patented SuperGroove® system.

VL-M3 VERY LOW PROFILE MALE CLIP

Male very low profile surface mount clip. Compatible with female clip VL-F3. 5kg pull out load per clip set. Screw or glue fix with Fastmount SuperGroove Adhesive. No special tools required for installation.

See pages 47, 48, 49 for more technical details.

VL-F3 VERY LOW PROFILE FEMALE CLIP

Female very low profile clip for surface or recessed mounting. Compatible with male clip VL-M3. 5kg pull out load per clip set. Screw or Fastmount SuperGroove Adhesive fix. No special tools required for installation.

See pages 47, 48, 49 for more technical details.

VL-SS3 VERY LOW PROFILE STAINLESS STEEL SCREW

Custom type 303 stainless steel screw for fixing VL-03 and VL-03H clip sets into panels as thin as 5.5mm. Pozi drive head. Supplied with VL-03 and VL-03H clip sets.

See pages 47, 48, 49 for more technical details.



VL-M3H VERY LOW PROFILE MALE CLIP HEAVY DUTY 10KG

Male very low profile heavy duty surface mount clip.

Compatible with female clip VL-F3H. 10 kg pull out load per clip set. Screw or glue fix with Fastmount SuperGroove Adhesive. No special tools required for installation.

See pages 47, 48, 49 for more technical details.



VL-F3H VERY LOW PROFILE FEMALE CLIP HEAVY DUTY 10KG

Female very low profile heavy duty clip for surface or recessed mounting.

Compatible with male clip VL-M3H. 10kg pull out load per clip set. Screw or glue fix with Fastmount SuperGroove Adhesive. No special tools required for installation.

See pages 47, 48, 49 for more technical details.



VL-M3FR VERY LOW PROFILE MALE CLIP FIRE RATED 10KG

Female very low profile fire rated surface mount clip.

Compatible with female clip VL-F3FR 10kg pull out load per clip set. Screw fix with VL-SS3. No special tools required for installation.

See page 48 for more technical details.



VL-F3FR VERY LOW PROFILE FEMALE CLIP FIRE RATED 10KG

Female very low profile fire rated clip for surface or recessed mounting.

Compatible with male clip VL-M3FR. 10kg pull out load per clip set. Screw fix with VL-SS3. No special tools required for installation.

See page 48 for more technical details.

VERY LOW PROFILE RANGE FASTMOUNT TOOLS

VL-CP3



CT-05



CT-17

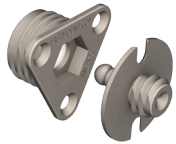


METAL RANGE MC RANGE

MC

PANELSAFE PS RANGE

PS



Metal Range of female and male clips designed specifically for demanding, heavy duty applications requiring fire rating and heavy load bearing. Patent Pending.

The Metal Range is designed to withstand high temperatures while providing acoustic and vibration isolation. The hidden fixing system is available in a 5kg or 10kg pull out load, ideal for fire rated panels.

To ensure quality installation and performance, installation and removal tools are supplied.



MC-M5 METAL SELF TAPPING MALE CLIP

Male self tapping metal clip suitable for fire rated panels.

Compatible with MC-F5 (5kg pull out load) and MC-F10 (10kg pull out load). Screws into 10mm hole with CT-09. Install with MC-IT5.

See pages 51, 52, 53, 54 for more technical details.



MC-F5 SELF TAPPING FEMALE CLIP 5KG

Female metal clip with white centre to indicate 5kg pull out load.

Compatible with MC-M5. Self taps into 13mm hole with MC-IT5. Screw fit installation with #4 gauge screws.

See pages 51, 53, 54 for more technical details.



MC-F10 METAL SELF TAPPING FEMALE CLIP HEAVY DUTY 10KG

Female metal clip with black centre to indicate 10kg pull out load.

Compatible with MC-M5. Self taps into 13mm hole with MC-IT5. Screw fit installation with #4 gauge screws.

See pages 52, 53, 54 for more technical details.

METAL RANGE FASTMOUNT TOOLS

MC-CP5



CT-09



MC-IT5



CT-05



CT-17



PanelSafe restraint systems provide added security and control to panel removal.

With the use of the PanelSafe, a panel can be suspended below the ceiling for convenient servicing behind the panel or controlled removal of the panel. Suitable for use with the PC, LP, VL and MC clip ranges. Ideal for inspection panels, large and/or heavy ceiling panels. To ensure quality installation and performance, installation and removal tools are supplied.

Note: custom products have a six week lead time.



PS-150 PANELSAFE 150MM

Suspends panel on removable stainless steel wire stroops. Suitable for use in conjunction with any Fastmount ranges.

Standard drop length 150mm, with custom lengths available on request. Install with CT-07, CT-03 and CT-10.

See pages 55, 59, 60 for more technical details.



PS-150E PANELSAFE EASY FIT SELF TAPPING 150MM

Suspends panel on removable stainless steel wire stroops. Suitable for use in conjunction with any of the Fastmount range of clips.

Standard drop length 150mm, with custom lengths available on request. Install with CT-10.

See pages 56, 61, 62 for more technical details.



PS-S150E PANELSAFE EASY FIT SURFACE MOUNT 150MM

Suspends panel on removable stainless steel wire stroops. Suitable for use in conjunction with any of the Fastmount range of clips.

Standard drop length 150mm, with custom lengths available on request. Screw or glue fix with Fastmount SuperGroove® Adhesive to panel.

See pages 58, 61, 62 for more technical details.

PANELSAFE RANGE FASTMOUNT TOOLS

CT-07



CT-03



CT-10



TC

TEXTILE TC RANGE

Textile Range designed for use with textiles and soft furnishings, to ensure fast, precise cushion fixing and rapid removal.

The Textile Range makes cushions simple to install, remove and replace with its unique locking system that ensures secure fastening and rapid removal.

Specifically designed for mounting soft textiles to hard surfaces, the system is ideal for sun loungers, interior and exterior cushions, seat bases and backs.

TC-F6 TEXTILE CLIP FEMALE

Flexible spring loaded female clip with three-point release system.

Easy to stitch onto a variety of textiles and soft furnishings.

See pages 63, 64, 65, 66, 67, 68 for more technical details.

TC-M6 TEXTILE CLIP MALE - SCREW FIX

White screw fix male for use with #6 screw. UV resistant.

See pages 63, 64, 67, 68 for more technical details.

TC-SM6 TEXTILE CLIP SELF ADHESIVE MALE CLIP

Self adhesive, translucent surface mount male with Very High Bond (VHB) tape pre-attached for quick, durable install. UV resistant.

See pages 63, 65, 66, 68 for more technical details.



TEXTILE RANGE FASTMOUNT TOOLS

TP-CP6

Textile range centre point with stainless steel tip to mark hole centre in panel for correct clip alignment.

See install guide page 67.



TC-R6

Plastic removal tool for releasing multiple TC-F6 female clips.

Note: TC-F6 can be manually released by hand.



Soft furnishings,
fitted hard and fast.



• TC-F6 + TC-M6



Panel mounting solution:
TC-F6 - soft textile
TC-M6 - deck



FASTMOUNT TOOLS



To achieve a quality installation and perfect finish with mounted panels, use the appropriate installation and removal tools below for the different clip ranges.



CP-01ST STANDARD RANGE CENTER POINT

Standard Profile centre point with stainless steel tip to mark hole centre in panel for correct clip alignment. Fits 10mm blind hole in panel drilled with CT-09; or into PC-F1A, PC-SF1, PC-RF1 and PC-AF1.

See install guides and videos for correct use.



CP-08ST LOW PROFILE CLIP CENTER POINT

Low Profile centre point with stainless steel tip to mark hole centre in panel for correct clip alignment.

Fits into LP-F8 and LP-DF8.

See install guides and videos for correct use.



VL-CP3 VERY LOW PROFILE CENTER POINT

Very Low Profile centre point with stainless steel tip to mark hole centre in panel for correct clip alignment.

Fits into both VL-F3 and VL-M3.

See install guides and videos for correct use.



MC-CP5 METAL CLIP CENTRE POINT

Metal Clip Range centre point with stainless steel tip to mark hole centre in panel for correct clip alignment. Fits into MC-F5.

See install guides and videos for correct use.



TC-CP6 TEXTILE RANGE CENTRE POINT

Textile Range centre point with stainless steel tip to mark hole centre in panel for correct clip alignment.

See install guides and videos for correct use.



VL-SS3 VERY LOW PROFILE STAINLESS STEEL SCREW

Custom type 303 stainless steel screw for fixing VL-03 and VL-03H clip sets into panels as thin as 5.5mm. Pozi drive head. Supplied with VL-03 and VL-03H clip sets.

See install guides and videos for correct use.



CT-09DG DRILL GAUGE FOR USE WITH CT-09 DRILL BIT

Designed for depth control when blind drilling or Standard and Low Profile Range male clips. Machined aluminium housing, anodised red for durability.

NOTE: Sold separately to CT-09.



CT-01 DRILL 10MM WITH SHOULDER

For use with the Standard Profile and Low Profile ranges. For drilling through panel and creating pilot hole for CT-07.

See install guides and videos for correct use.



CT-09 PANEL DRILL 10MM FORSTNER TYPE

For use with Standard Profile, Low Profile and Metal ranges. For drilling blind holes into the back of panels.

See install guides and video for correct use.



CT-07 CARBIDE TIP STEP DRILL

For use with Standard Profile clip PC-F1A. Tungsten tip drill with 16.8mm diameter for drilling 10mm hole in frame.

See install guides and video for correct use.



CT-13A CARBIDE TIP STEP DRILL - 16.8 DIA FOR PC-F1A

For use with Standard Profile clip PC-F1A. Carbide tip drill with 16.8 diameter for drilling holes into fibreglass, carbon fibre and kevlar laminates.

See install guides and video for correct use.



CT-15 TAP FOR PC-F1A

For use with Standard Profile clip PC-F1A. Tap tool for tapping thread to fit PC-F1A into fibreglass, aluminium or similar. Either drill hole with CT-13A or drill out 10mm hole with CT-07 then tap with CT-15.

See install guides and video for correct use.



CT-22 TAP FOR MALE CLIPS IN STANDARD AND LOW PROFILE RANGES

New product for tapping thread into hard materials for male clips, PC-M1B, PC-M2H, PC-VM1, PC-VMX, LP-M8A, MC-M5, PS-150 (self tapping male end).

See install guides and video for correct use.

NEW PRODUCT



FASTMOUNT TOOLS



CT-03 INSTALL TOOL FOR PC-F1A

For use with Standard Profile clip PC-F1A. Use to install self tapping female PC-F1A with battery drill on correct torque setting.

See install guides and video for correct use.



CT-10 INSTALL TOOL SELF TAPPING MALE CLIPS (ALUMINIUM)

For use with Standard Profile, Low Profile and Panel Control range. Use to install self tapping male PC-M1B, PC-M2H, PC-VM1, PC-VMX, PS-150 and LP-M8A with battery drill on correct torque setting.

See install guides and videos for correct use.



CT-19 INSTALL TOOL LOW PROFILE RANGE (ALUMINIUM)

For use with Low Profile range. Aluminium install tool for female clips LP-F8 and LP-DF8 with battery drill on correct torque setting. Ideal for large quantity installations.

See install guides and video for correct use.



CT-20 INSTALL TOOL LOW PROFILE RANGE (PLASTIC)

For use with Low Profile range. Plastic moulded install tool for female clips LP-F8 and LP-DF8 with battery drill on correct torque setting. For standard use.

See install guides and video for correct use.



CT-12 31MM HSS COUNTERSINK DRILL BIT WITH 10MM SHANK

To be used to countersink entry edge of hole (1-2mm) in hard materials such as MDF, hard plywood, fibre glass, plastic.

Use when drilling holes for PC-M1B, PC-M2H, PC-VM1, PC-VMX, LP-M8A, LP-F8, LP-DF8.



MC-IT5 INSTALL TOOL FOR METAL CLIPS MC-F5 & MC-M5

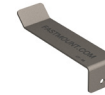
For use with Metal range. Use to install self tapping male MC-M5H, also MC-F5 into plywood or similar with battery drill on correct torque setting.

See install guides and video for correct use.



CT-18DG DRILL GUIDE INSTALLATION JIG FOR PC-RF1

Adjustable drill guide for use with the Standard Profile range. Designed for PC-RF1 mounting options.



CT-05 PANEL REMOVAL TOOL

Stainless steel tool for removing upholstered panels. Not for use with painted panels.



CT-17 PANEL REMOVAL TOOL PAINTED PANEL (GLASS SUCKER 40KG)

Glass suction cup for removal and handling of painted and prefinished panels.

Two glass suckers required for controlled panel removal.



CT-08 YARD KIT 6 TOOLS

Installation tools for Standard Profile range.

Contains CT-01, CT-03, CT-05, CT-07, CT-09 and CT-10 in plastic box.



LP-08Y YARD KIT LOW PROFILE

For use with Low Profile range. Plastic moulded install tool for female clips LP-F8 and LP-DF8 with battery drill on correct torque setting. For standard use.

See install guides and video for correct use.



CT-06S SERVICE KIT

For on-board and on-site maintenance of the Standard Profile range.

Contains 14 x PC-M1B, 4 x PC-M2H, 4 x PC-SM2, 4 x PC-SM2H, CT-10 installation tool and CT-05 panel removal tool.



CG-50G SUPERGROOVE® ADHESIVE GUN FOR 50ML CARTRIDGE

SuperGroove Adhesive gun for use with CG-5010 SuperGroove Adhesive 50ml cartridge.



CG-5010 SUPERGROOVE® ADHESIVE 50ML

Fastmount SuperGroove Adhesive 50ml twin tube dispenser with self-mixing nozzle for use with Fastmount surface mount clips.

10 minute cure, solvent free, non-toxic, no VOCs, RoHS and REACH compliant, 12 month shelf life. Ideal for large scale installations. Supplied with a self-mixing nozzle for proportional mixing. Additional self-mixing nozzles can be purchased.



SAMPLE PANELS

TRIAL KITS

Specifically designed to evaluate Fastmount removable panel mounting systems. Trial kits are available for each Fastmount range and typically include tools, product samples, installation and technical information.

For advice on the clip system to best suit your need, please email info@fastmount.com with a brief description of the setting and typical application.



CD-03
A5 SAMPLE
PANEL
FOR STANDARD
RANGE

Demonstrates Standard Profile range: PC-F1A, PC-M1B, PC-M2H, PC-SM2, PC-VM1, PC-RF1. Includes CT-05 panel removal tool.



CD-08
A5 SAMPLE
PANEL
FOR LOW
PROFILE RANGE

Demonstrates Low Profile range: LP-F8, LP-M8A, LP-SM8AS and LP-AF8A.



CD-VL3
A5 SAMPLE
PANEL FOR
VL RANGE

Demonstrates Very Low Profile range: VL-F3, VL-M3, VL-F3H and VL-M3H.



CD-MC5
A5 SAMPLE
PANEL FOR
METAL RANGE

Demonstration panel for Metal Range clips with MC-F5, MC-F10 and MC-M5.



CT-06T STANDARD PROFILE RANGE TRIAL KIT COMPLETE WITH CLIPS AND TOOLS

Includes:

- | | | |
|-------------|-------------|-------------|
| 12 x PC-F1A | 4 x PC-SM2H | 4 x PC-SF1 |
| 12 x PC-M1B | 2 x PC-VM1 | 4 x CP-01ST |
| 4 x PC-M2H | 2 x PC-VMX | CT-08 |
| 4 x PC-SM2 | 4 x PC-RF1 | |

Includes product catalogue with product sheets, technical information and installation guides



LP-08T LOW PROFILE RANGE TRIAL KIT COMPLETE WITH CLIPS AND TOOLS

Includes:

- | | |
|-------------|--------------|
| 12 x LP-F8 | 4 x LP-SM8AS |
| 4 x LP-DF8 | 4 x CP-08ST |
| 4 x LP-AF8A | LP-08Y |
| 8 x LP-M8A | |

Includes product catalogue with product sheets, technical information and installation guides



VL-03T VERY LOW PROFILE TRIAL KIT

Includes:

- | | | |
|-----------|------------|-------------|
| 6 x VL-F3 | 4 x VL-F3H | 10 x VL-SS3 |
| 6 x VL-M3 | 4 x VL-M3H | 4 x VL-CP3 |

Includes product catalogue with product sheets, technical information and installation guides

TRY FASTMOUNT

Contact your local distributor or request a trial kit online.





Everything you need to pull off an incredible fit-out.



Helping to make installation easy.



Hideaway Chair - Think+Shift

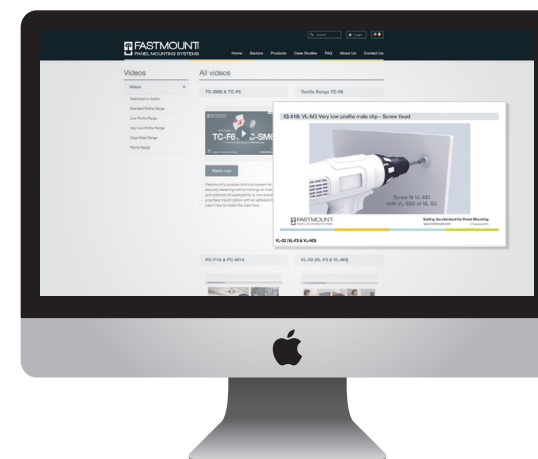
Fastmount clips can be used on wall panels and ceiling panels, as well as seating, headboards and inspection hatches. Any place where panels are required to be fitted with removable option and invisible fixings.

The following pages show Product Sheets and Installation Guides to assist with technical support.

There are five ranges of Fastmount clips designed for different applications with various pull-out load options. If you need help choosing the right system for your project, our technical team can assist you.

Find your closest authorised distributor on page 82 or send details of your project with panel type, size, weight and substrate to technical@fastmount.com for further support.

All installation guides are available for download in PDF format at fastmount.com, where step-by-step install videos are also available to view.



Whether it's our unique Fastmount tools, accessories or product information and support, Fastmount will help ensure your finish is perfect. Every time.

STANDARD PC RANGE



PC-F1A Self Tapping Female

INDUSTRY FIT:

SPECIFICATIONS:

STANDARD RANGE

The self tapping PC-F1A female clip works with the all Standard range male clips. Designed for adhesive fix, heavy duty, high shear strength or variable gap requirements.

BENEFITS

- Self-aligning installation without adhesives
- Perfect panel alignment and secure mounting every time
- Remove and refit panels in any sequence multiple times
- Saves time and reduces cost
- Option of 2kg, 5kg, 10kg, or 15kg pull out load per clip
- Allows for flexing and expansion of panel and support frame

APPLICATIONS

- Covered, painted and prefinished panels
- Ceiling and wall panels
- Exterior panels
- Refits and upgrades of existing installations
- Variety of substrates
- Composites and thin-walled panels

PC-F1A



USE WITH:

PC-M2H PC-VM1 PC-SM2



PC-M1B PC-VMX PC-SM2H PC-SM1AC



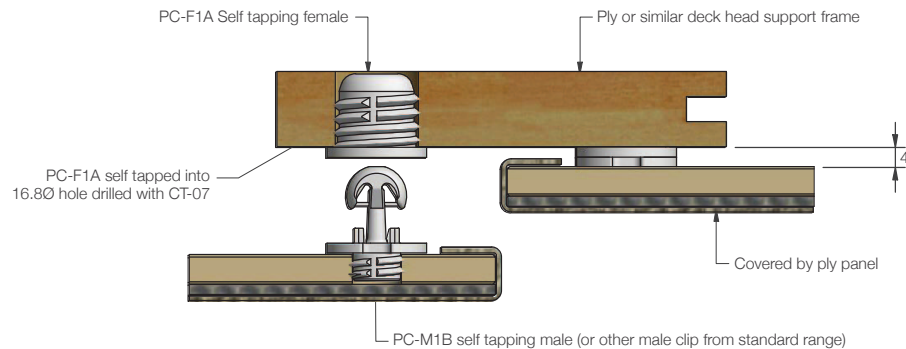
MATERIAL:

White acetal copolymer

MORE INFO:

Installation Guide FM IG_PC-F1A
Clip Layout Guide FM TD-02, 09, 12

INSTALLATION: Partially exploded through section showing typical installation method



PC-M2H Self Tapping Male Heavy Duty

INDUSTRY FIT:

SPECIFICATIONS:

STANDARD PC RANGE

The heavy duty self tapping clip, PC-M2H adds to the standard range. Specifically designed for thicker panels with increased loading requirements, where PC-M1B is not strong enough.

BENEFITS

- Self-aligning installation without adhesives
- Perfect panel alignment secure mounting every time
- Remove and refit panels in any sequence 100+ times
- Saves time and reduces cost
- 10kg pull out load per clip
- Allows for flexing and expansion of panel and support frame materials

APPLICATIONS

- Covered or painted panels with minimum 8mm thickness
- Ceiling and wall panels
- Exterior deckhead panels
- Refits and upgrades of existing installation
- Variety of substrates

PC-M2H



USE WITH:

PC-F1A PC-RF1 PC-SF1 PC-AF1



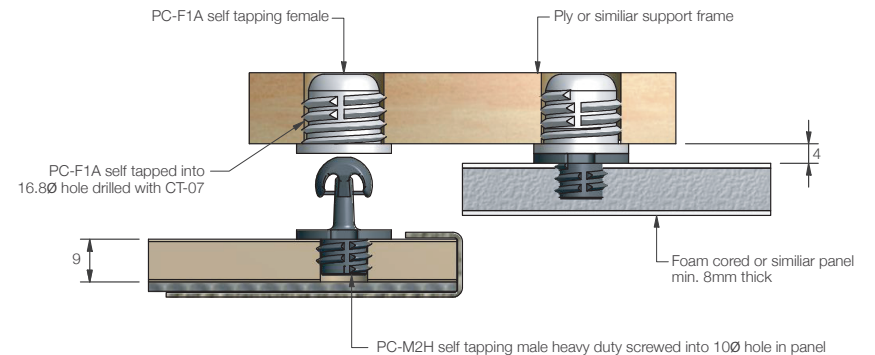
MATERIAL:

Black acetal copolymer

MORE INFO:

Installation Guide FM IG_PC-F1A, SF1, RF1
Clip Layout Guide FM TD-02, 09, 12

INSTALLATION: Partially exploded through section showing typical installation method



STANDARD PC RANGE

PC-VM1 & PC-VMX Vario Clip Self Tapping Male

INDUSTRY FIT:

SPECIFICATIONS:

The Fastmount self tapping clip PC-VM1 and PC-VMX add to the existing range. Designed for variable gap, high shear strength applications.

STANDARD PC RANGE

BENEFITS

- Variable clipping depth
- High shear load (50kg/clipset)
- Remove and refit panels in any sequence multiple times
- Perfect panel alignment and secure mounting every time
- 5kg or 15kg pull out load per clip
- Durable design for frequent handling

APPLICATIONS

- Seat backs and bases
- Seat backs with removable covers
- Heavy wall panels
- Use in conjunction with standard range clips
- Variety of substrates

PC-VM1



USE WITH:



PC-VMX



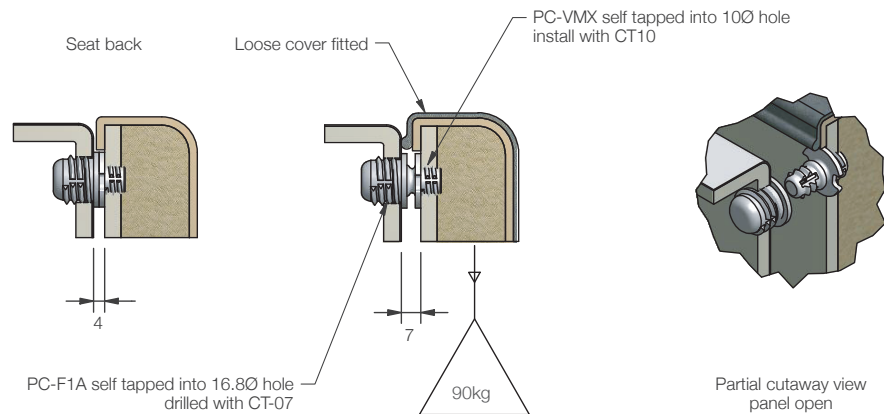
MATERIAL:

White acetal copolymer/Nylon GF

MORE INFO:

Installation Guide FM IG_PC-F1A, SF1, RF1
Clip Layout Guide FM TD-02, TD-08

INSTALLATION: Partially exploded through section showing typical installation method



PC-SM2 Surface Mount Male Adhesive Fix

INDUSTRY FIT:

SPECIFICATIONS:

The surface mount male is an extension of the Fastmount system, designed for use with thin walled panels and where installers prefer an adhesive fix. It is ideal for new composite materials. Patented SuperGroove® mechanically engage into Fastmount SuperGroove Adhesive on the base for secure mounting.

STANDARD PC RANGE

BENEFITS

- Self-aligning secure mounting (5kg per clip)
- Installation requires no special tools or skilled labour
- Uses Fastmount SuperGroove Adhesive
- No drilling of panels, fast installation
- Works with existing Fastmount clips
- Allows for flexing and expansion of panel and support frame

APPLICATIONS

- Mounting thin walled panels less than 6mm thick
- Soft or honeycomb cored panels with thin facings
- Mounting panels where no drilling is preferred
- Ideal for refit

PC-SM2



USE WITH:



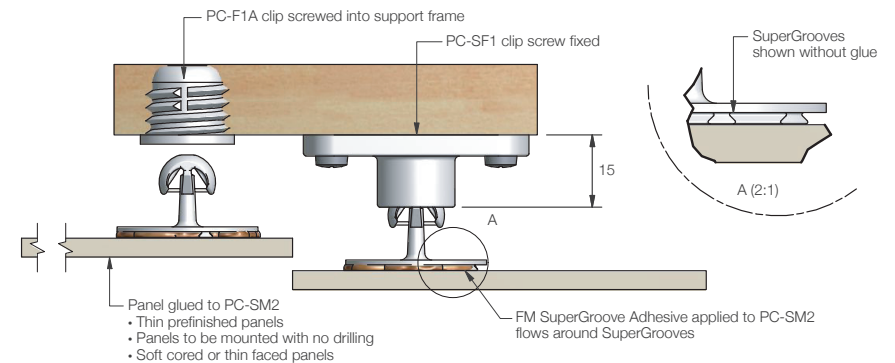
MATERIAL:

White acetal copolymer

MORE INFO:

Installation Guide FM IG_PC-F1A, SF1, RF1
Clip Layout Guide FM TD-02, 09, 12

INSTALLATION: Partially exploded through section showing typical installation method



STANDARD PC RANGE



PC-SM2H Surface Mount Male Adhesive Fix

INDUSTRY FIT:

SPECIFICATIONS:

The surface mount male heavy duty clip is an extension of the Fastmount system, designed for use where installers prefer an adhesive fix, with increased loading. It is ideal for new composite materials. Patented SuperGroove® mechanically engage into Fastmount SuperGroove Adhesive for secure mounting.

STANDARD PC RANGE

BENEFITS

- Self-aligning secure mounting (min. 10kg per clip)
- Installation requires no special tools
- Uses Fastmount SuperGroove Adhesive
- No drilling of panels, fast installation
- Works with existing Fastmount clips
- Allows for flexing and expansion of panel and support frame materials

APPLICATIONS

- Mounting thicker panels with increased loading
- Soft or honeycomb cored panels with thin facings
- Mounting panels where no drilling is preferred
- Ideal for refit

PC-SM2H

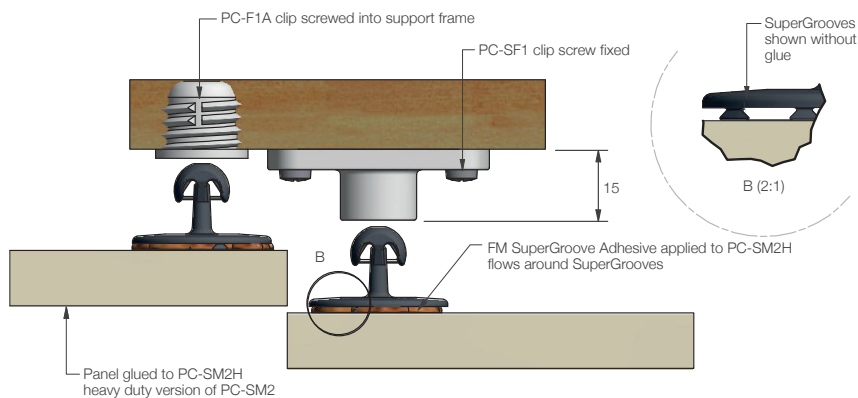
USE WITH:



MATERIAL:
Black acetal copolymer

MORE INFO:
Installation Guide FM IG_PC-F1A, SF1, RF1
Clip Layout Guide FM TD-02, 09, 12

INSTALLATION: Partially exploded through section showing typical installation method



PC-SF1 Surface Mount Female Screw Fix

INDUSTRY FIT:

SPECIFICATIONS:

The surface mount female is an extension of the Fastmount system specifically for use where a cavity is required or where installers prefer a screw-fixed mounting. Use with clips designed for self tapping, adhesive fix, high shear strength and variable gap requirements

STANDARD PC RANGE

BENEFITS

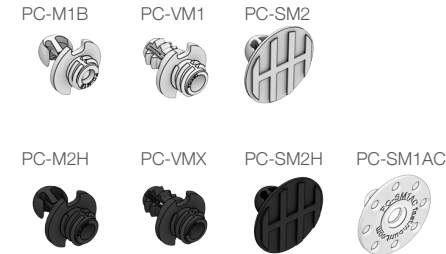
- Several mounting options
- Screw fixed to support frame
- Installation requires no special tools
- Works with Standard range Fastmount clips
- Allows for flexing and expansion of panel and support frame

APPLICATIONS

- Mounting onto aluminium frames
- Mounting onto fire rated cabins
- Mounting panels where a cavity between panel and frame is required
- PC-SF1 can be used on panel or support frame side

PC-SF1

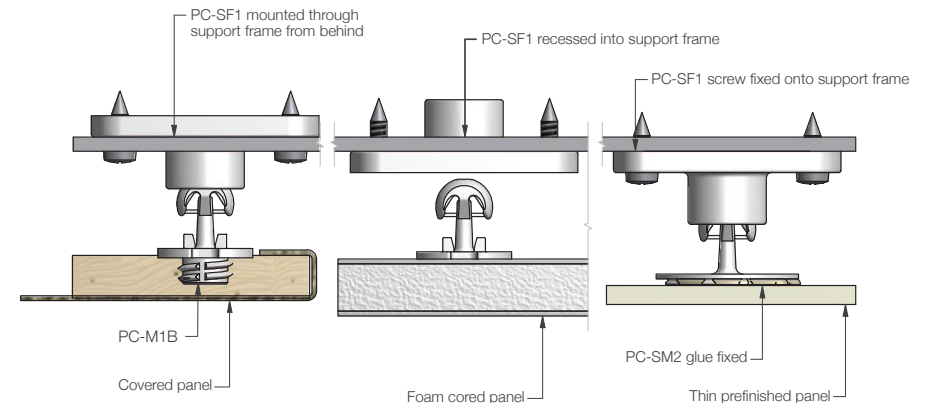
USE WITH:



MATERIAL:
White acetal copolymer

MORE INFO:
Installation Guide FM- IG_PC-SF1
Clip Layout Guide FM-TD-02, 09, 12

INSTALLATION: Partially exploded through section showing typical installation method



STANDARD PC RANGE

PC

PRODUCT SHEET

PC-SM1AC Acoustic Surface Mount Male Adhesive Fix

INDUSTRY FIT: 

SPECIFICATIONS:

The acoustic surface mount male is an extension of the Fastmount system, designed for use with acoustic or extremely lightweight panels. The acoustic male clip can be bonded to the panel using Fastmount SuperGroove® Adhesive or in the case of polyester fibre composition acoustic panels, hot melt glue.

STANDARD PC RANGE

BENEFITS

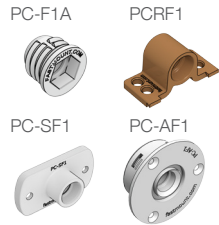
- Self-aligning secure mounting (2kg pull out load)
- Installation requires no special tools
- Uses Fastmount SuperGroove Adhesive or hot melt glue
- No drilling of panels
- Works with existing Fastmount female clips in the Standard range
- Allows for flexing and expansion of panel and substrate frame
- Invisible fixings – no damage to face of panel
- Ability to remove and reinstall non-sequentially rapidly

APPLICATIONS

- Mounting extremely lightweight panels or acoustic panels
- Soft, low density panels - polyester fibre type, foam.
- Ideal for office retro-fits

PC-SM1AC

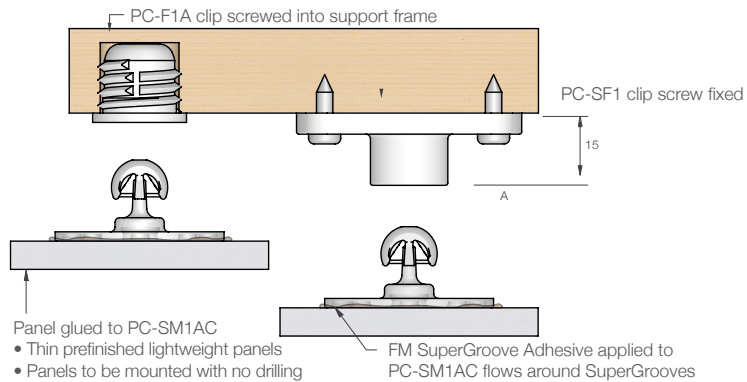
USE WITH:



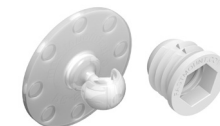
MATERIAL:
Super flexible copolymer

MORE INFO:
Installation Guide IG_PC-F1A, SF1, RF1
Clip Layout Guide TD-02, 09, 12

INSTALLATION: Partially exploded through section showing typical installation method



The PC-SM1AC is your solution for removable acoustic panels. Typical acoustic panel installation methods can be unreliable, time consuming and have inconsistent results. Strong enough to hold a lightweight panel, but soft enough to remove the panel without kinking the material, using the flexible PC-SM1AC ensures that neither your panel nor wall is damaged upon removal.



Panel mounting solution:
PC-SM1AC - acoustic panel
PC-F1A - substrate

STANDARD PC RANGE



PC-RF1 Side Mount Female Screw Fix

INDUSTRY FIT:

SPECIFICATIONS:

Ideal for applications that require side mounting, such as refit, cabinet construction or securing floor panels. This versatile screw-fixed clip works with all male clips from the Standard range.

STANDARD PC RANGE

BENEFITS

- Side mounting
- Installation requires no special tools
- Screw fixed to frame
- Several mounting options
- Works with existing Standard range Fastmount clips
- Allows for flexing and expansion of panel and support

APPLICATIONS

- Ceiling, wall and exterior panels
- Cabinet assembly and shelf support
- Refits and upgrades of existing installations
- Variety of substrates
- Floor panels
- Inspection hatches

PC-RF1

USE WITH:

PC-M1B PC-VM1 PC-SM2 PC-SM1AC



PC-M2H PC-VMX PC-SM2H



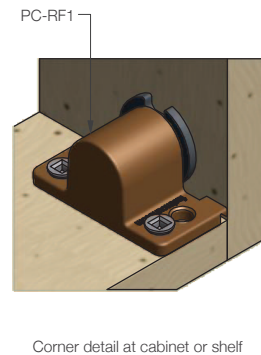
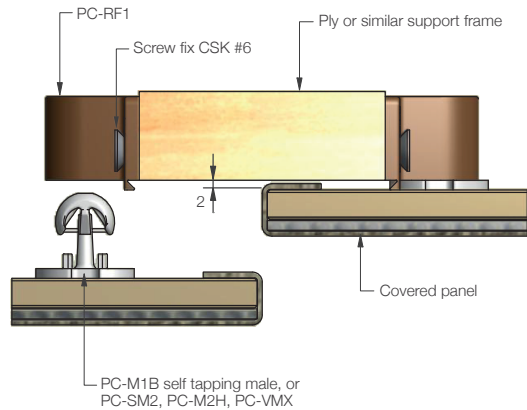
MATERIAL:

Brown acetal copolymer

MORE INFO:

Installation Guide FM IG_PC-RF1
Clip Layout Guide FM TD-02, 09, 12

INSTALLATION: Partially exploded through section showing typical installation method



PC-AF1 Autofit Female

INDUSTRY FIT:

SPECIFICATIONS:

The Fastmount autofit PC-AF1 is ideal for applications that require lateral adjustment, such as curved panels. This versatile screw-fixed clip works with all Standard range male clip types.

STANDARD PC RANGE

BENEFITS

- Lateral panel adjustment in all directions
- Installation requires no special tools
- Push fit into 35Ø hole
- Several mounting options
- Works with Standard range Fastmount clips

APPLICATIONS

- Complex shaped panels where lateral adjustment is required
- Ceiling, wall and exterior panels
- Mounting of curved panels
- Variety of substrates
- Moulded into hull

PC-AF1

USE WITH:

PC-M1B PC-VM1 PC-SM2



PC-M2H PC-VMX PC-SM2H PC-SM1AC



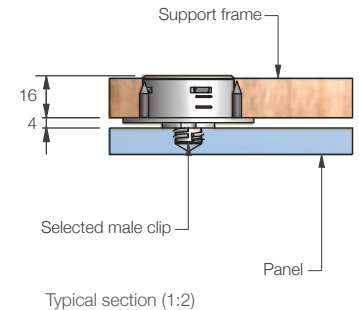
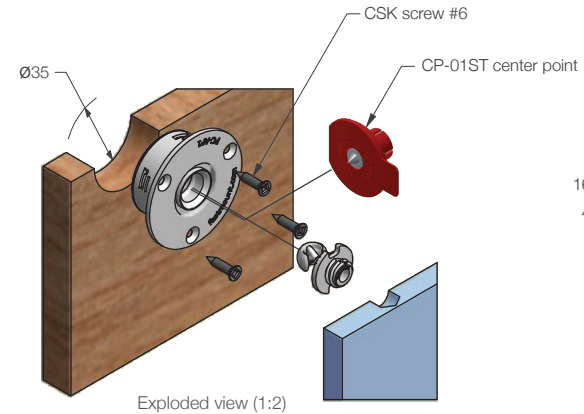
MATERIAL:

White acetal copolymer

MORE INFO:

Installation Guide FM-IG_PC-AF1
Clip Layout Guide FM- TD-02, 09, 12





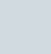








INSTALLATION: Partially exploded through section showing typical installation method



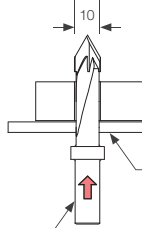
STANDARD PC RANGE

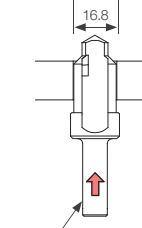
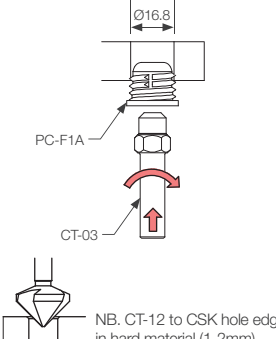
PC INSTALLATION GUIDE

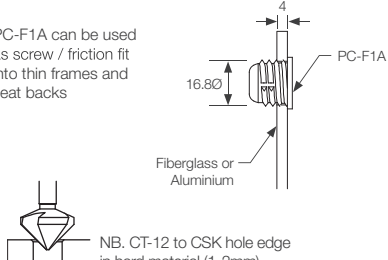
PC-F1A Self Tapping Female

PC-F1A 	USE WITH:				INSTALL WITH:			
	PC-M1B 	PC-VM1 	PC-SM2 	PC-SM1AC 	CT-01 	CT-07 	CT-03 	CT-10 
	PC-M2H 	PC-VMX 	PC-SM2H 	PC-SM1AC 				

INSTALLATION STEPS FOR UPHOLSTERED PANELS

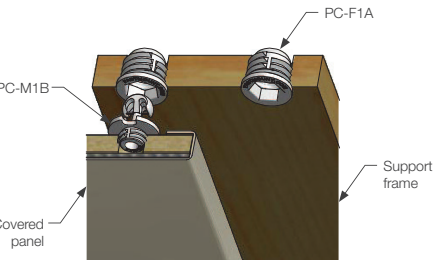
- 1 Drill hole through panel and frame**


Panels temporarily fixed in place, sent for covering after drilling
- 2 Drill out frame hole with CT-07**

- 3 Screw fit PC-F1A with CT-03. Use battery drill with clutch set.**






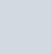

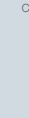
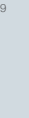





NB. CT-12 to CSK hole edge in hard material (1-2mm)
- 4 Screw fit PC-F1A into thin frame**


PC-F1A can be used as screw / friction fit into thin frames and seat backs

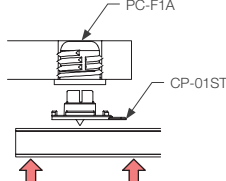
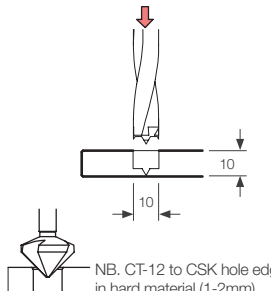
Fiberglass or Aluminium

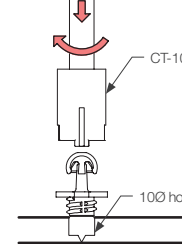
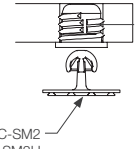
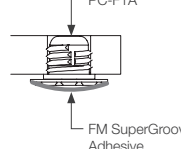
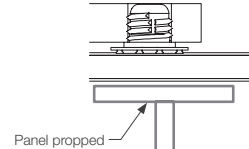
NB. CT-12 to CSK hole edge in hard material (1-2mm)
- 5 Cutaway view showing panel mounting**


PC-F1A Self Tapping Female

PC-F1A 	USE WITH:				INSTALL WITH:			
	PC-M1B 	PC-VM1 	PC-SM2 	PC-SM1AC 	CP-01ST 	CT-09 	CT-07 	CT-10 
	PC-M2H 	PC-VMX 	PC-SM2H 	PC-SM1AC 				

INSTALLATION STEPS FOR PAINTED OR PRE-FINISHED PANELS (First complete steps 1 to 3, page 1)

- 1 Fit CP-01ST into PC-F1A then push panel to mark center**

- 2 Drill panel on center mark with CT-09 6mm deep for PC-M1B, 8mm deep for PC-VM1, PC-VMX, PC-M2H**










NB. CT-12 to CSK hole edge in hard material (1-2mm)
- 3 Screw fit male clip with CT-10. Use battery drill with clutch set.**

- 4 Clip PC-SM2 into PC-F1A**

- 5 Apply adhesive to PC-SM2**

- 5 Place panel and support while adhesive dries**


Panel propped in place

STANDARD PC RANGE

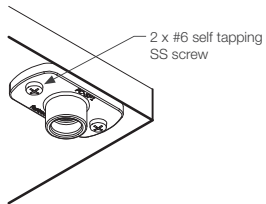
PC INSTALLATION GUIDE

PC-SF1 Surface Mount Female

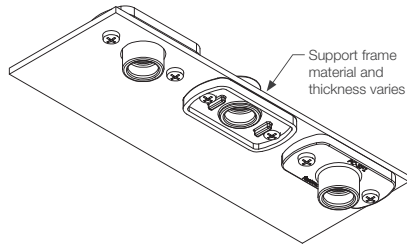
	USE WITH:				INSTALL WITH:
	PC-M1B 	PC-VM1 	PC-SM2 		Screw or rivet
	PC-M2H 	PC-VMX 	PC-SM2H 	PC-SM1AC 	

INSTALLATION STEP OPTIONS

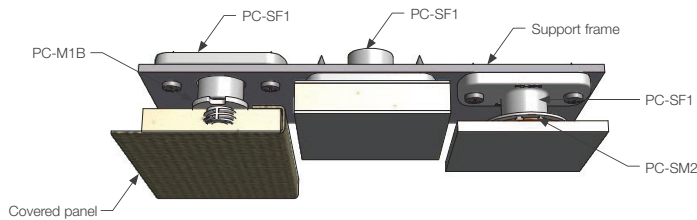
1 Screw fix PC-SF1 to frame



2 Options for mounting PC-SF1 to support frame














3 Options for mounting PC-SF1 to support frame and male clip and panel types



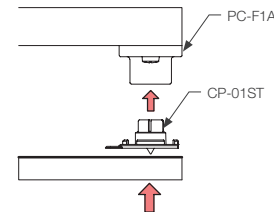
MORE INFO: Clip Layout Guide TD-02

PC-SF1 Surface Mount Female

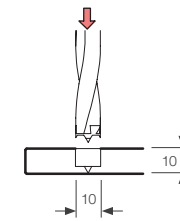
	USE WITH:				INSTALL WITH:		
	PC-M1B 	PC-VM1 	PC-SM2 		CP-01ST 	CT-09 	CT-10 
	PC-M2H 	PC-VMX 	PC-SM2H 	PC-SM1AC 			

INSTALLATION STEPS

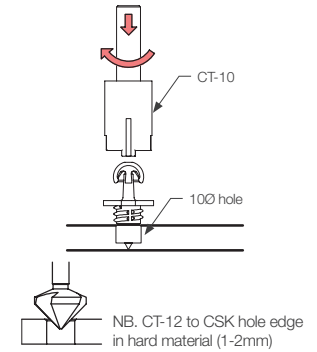
1 Fit CP-01ST into PC-SF1 then push panel to mark center



2 Drill panel on center mark with CT-09 7.5mm deep

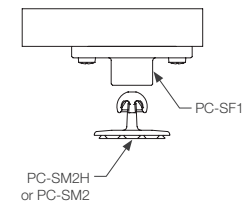


3 Screw fit male clip with CT-10. Use battery drill with clutch set.

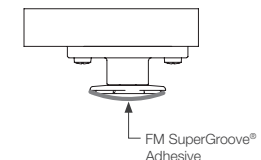


INSTALLING ADHESIVE FIT MALE CLIPS (FIRST COMPLETE STEPS 1, PAGE 1)

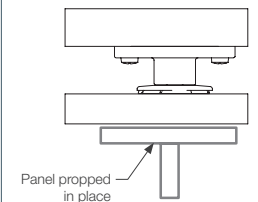
4 Clip PC-SM2 into PC-SF1



5 Apply adhesive to PC-SM2



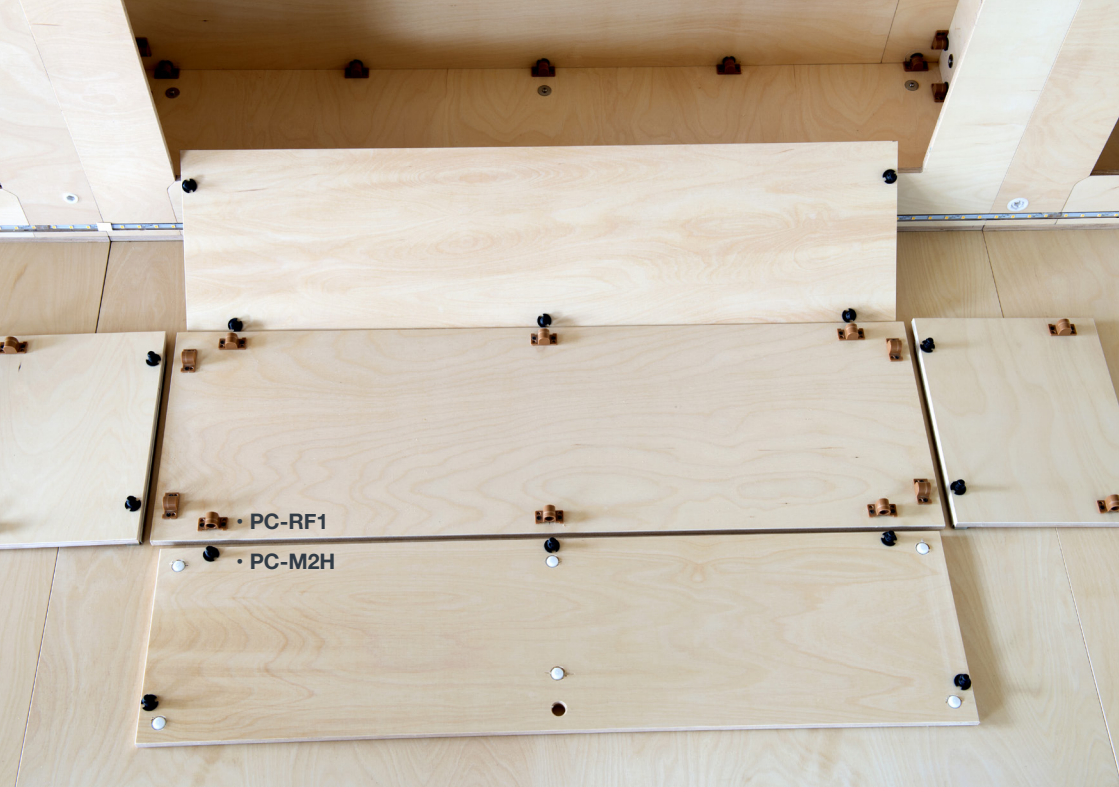
6 Place panel and support while adhesive dries



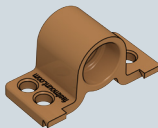









MORE INFO: Clip Layout Guide TD-02

STANDARD PC RANGE

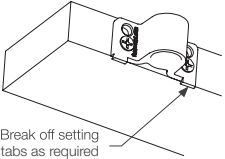
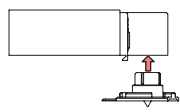
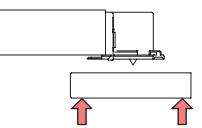
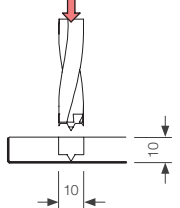
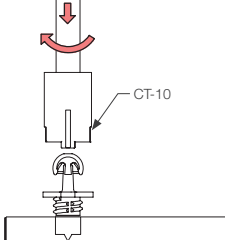
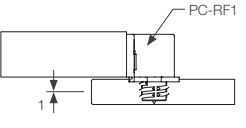
INSTALLATION GUIDE



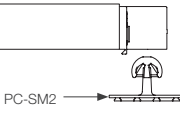
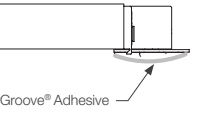
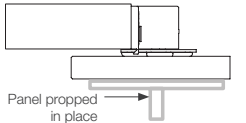
PC-RF1 Side Mount Female

PC-RF1 	USE WITH:				INSTALL WITH:		
	PC-M1B 	PC-VM1 	PC-SM2 			CP-01ST 	CT-09 
	PC-M2H 	PC-VMX 	PC-SM2H 	PC-SM1AC 			

INSTALLATION STEPS

1 Screw fit PC-RF1 to side of frame  Break off setting tabs as required	2 Fit CP-01ST into PC-RF1 	3 Press panel onto CP-01ST to mark 
4 Drill panel on mark with CT-09 	5 Screw fit male clip with CT-10 	6 Panel clipped in place 

OPTION WITH ADHESIVE FIT MALE (COMPLETE STEP ABOVE)

A Clip PC-SM2 into PC-RF1 	B Apply adhesive to PC-SM2 	C Place panel and support while adhesive dries 
---	--	--

MORE INFO: Clip Layout Guide TD-02

Panel mounting solution:
PC-RF1 internal
PC-M2H internal

LOW PROFILE LP RANGE

LP-F8 Low Profile Self Tapping Female

INDUSTRY FIT:

SPECIFICATIONS:

Low Profile clip LP-F8 self taps into a variety of substrates and is used with male Low Profile clips, centre point and install tools.

LOW PROFILE LP RANGE

BENEFITS

- Hidden fixing
- Self taps into plywood from 9mm thick
- Perfect panel alignment and secure mounting every time
- Remove and refit panels in any sequence multiple times
- 5kg pull out load per clip
- Allows for flexing and expansion of panel and support frame

APPLICATIONS

- Suitable for covered, painted and prefinished panels
- Acoustic panels
- Refits and upgrades of existing installations
- Bedheads, artwork
- Composites and thin-walled panels

LP-F8

USE WITH:

LP-M8A

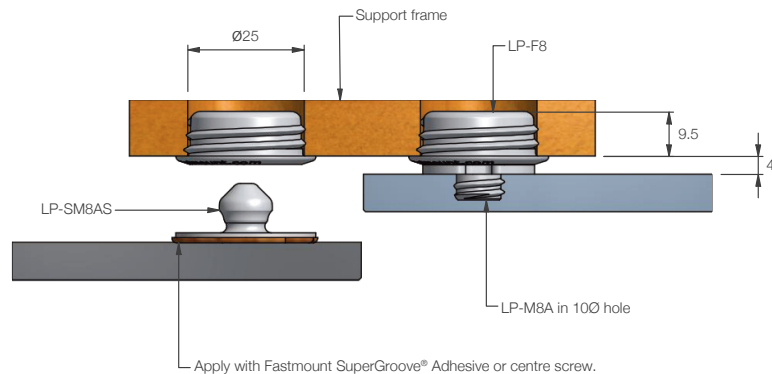
LP-SM8AS



MATERIAL:
White acetal copolymer

MORE INFO:
Installation Guide FM-IG LP-F8
Clip Layout Guide FM-TD-02, FM-08

INSTALLATION: Partially exploded through section showing typical installation method



Apply with Fastmount SuperGroove® Adhesive or centre screw.

LP-AF8A Low Profile Autofit Female

INDUSTRY FIT:

SPECIFICATIONS:

Low Profile clip LP-AF8A provides 360 degree lateral adjustment, fitting into a $35\varnothing$ hole. Mounts into a variety of materials and is used with male Low Profile clips.

LOW PROFILE LP RANGE

BENEFITS

- Hidden fixing with 8mm lateral adjustment
- Screw or glue into plywood min. 9mm thick
- Perfect panel alignment and secure mounting every time
- Remove and refit panels in any order multiple times
- 5kg pull out load per clip
- Allows for flexing and expansion of panel and support frame

APPLICATIONS

- Covered or painted and prefinished panels
- Curved panels
- Refits and upgrades of existing installations
- Where installation tolerance is required
- Can be moulded into fibreglass
- Moulded into hull

LP-AF8A

USE WITH:

LP-M8A

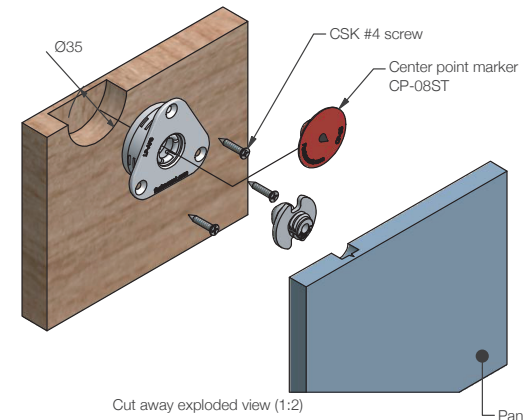
LP-SM8AS



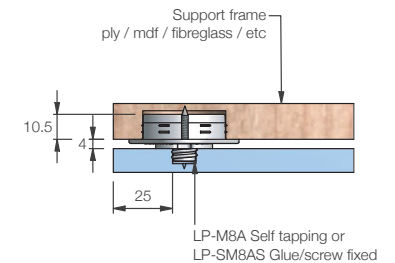
MATERIAL:
White acetal copolymer

MORE INFO:
Installation Guide FM-IG LP-AF8A
Layout Guide FM TD-02, FM TD-08

INSTALLATION: Partially exploded through section showing typical installation method



Cut away exploded view (1:2)



Typical section (1:2)

LOW PROFILE LP RANGE

LP-DF8 Tapping Coarse Thread Female

INDUSTRY FIT:

SPECIFICATIONS: (Page 1 of 2)

LOW PROFILE LP RANGE

Low Profile clip LP-DF8 is designed for soft core material, self taps into plasterboard (drywall) and is used with male Low Profile clips, centre point and install tools.

BENEFITS

- Hidden fixing
- Self taps into drywall plasterboard min. 10mm thick
- Perfect panel alignment with secure mounting every time
- Remove and refit panels in any sequence multiple times
- 5kg pull out load per clip
- Allows for flexing and expansion of panel

APPLICATIONS

- Covered or painted and prefinished panels
- Acoustic panels
- Refits and upgrades of existing installations
- Bed heads, artwork

LP-DF8



USE WITH:

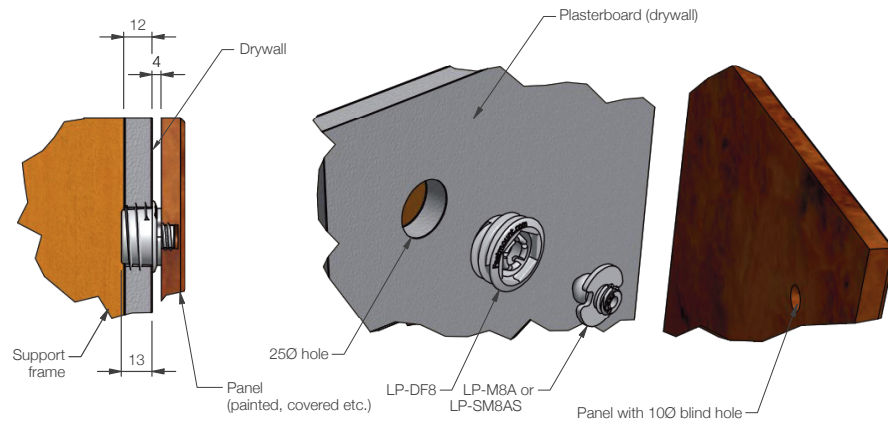
LP-M8A LP-SM8AS



MATERIAL:
White acetal copolymer

MORE INFO:
Installation Guide LP-DF8
Clip Layout Guide TD-02, TD-08

INSTALLATION: Partially exploded through section showing typical installation method



LP-DF8 Tapping Coarse Thread Female

INDUSTRY FIT:

SPECIFICATIONS: (Page 2 of 2)

LOW PROFILE LP RANGE

Low Profile clip LP-DF8 is designed for soft core material, self taps into plasterboard (drywall) and is used with male Low Profile clips, centre point and install tools. Available in ranges of interchangeable clips, for different applications.

BENEFITS

- Hidden fixing
- Self taps into drywall plasterboard from 10mm thick
- Perfect panel alignment with secure mounting every time
- Remove and refit panels in any sequence multiple times
- 5kg pull out load per clip
- Allows for flexing and expansion of panel

APPLICATIONS

- Suitable for covered or painted and prefinished panels
- Acoustic panels
- Refits and upgrades of existing installations
- Bed heads, artwork

LP-DF8



USE WITH:

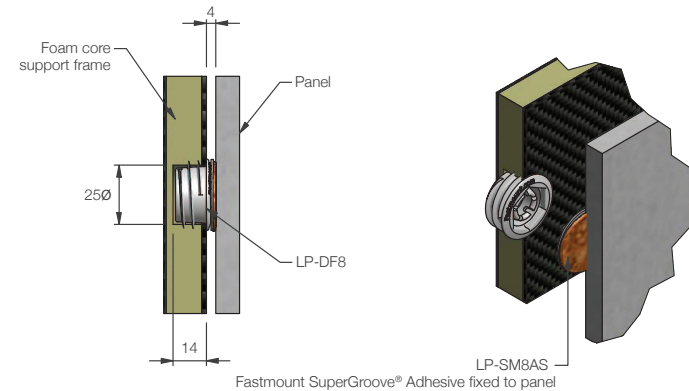
LP-M8A LP-SM8AS



MATERIAL:
White acetal copolymer

MORE INFO:
Installation Guide LP-DF8
Clip Layout Guide TD-02, TD-08

INSTALLATION: Partially exploded through section showing typical adhesive installation method



LOW PROFILE LP RANGE



INSTALLATION GUIDE

LP-DF8 Low Profile Drywall Self Tapping Coarse Thread Female

	USE WITH: LP-M8A LP-SMBAS		INSTALL WITH: CP-08ST CT-19 CT-09 CT-10			
			 250 hole saw			

INSTALLATION STEPS

1 Drill 250 hole in drywall plasterboard	2 Screw LP-DF8 into drywall. Use battery drill with clutch set, fit only once, do not over tighten	3 Fit CP-08ST centre point into LP-DF8
4 Press panel onto CP-08ST to mark	5 Drill panel on mark with CT-09	6 Screw fit LP-M8A with CT-10, use battery drill with clutch set.
A Cutaway view of installed clip		

LP-F8 Low Profile Self Tapping Female

	USE WITH: LP-M8A LP-SMBAS		INSTALL WITH: CP-08ST CT-09 CT-10 CT-19			
			 250 drill			

INSTALLATION STEPS

1 Drill 250 hole in frame	2 Screw LP-F8 into frame. Use battery drill with clutch set.	3 Fit CP-08ST centre point into LP-F8
4 Press panel onto CP-08ST to mark	5 Drill panel on mark with CT-09	6 Screw fit LP-M8A with CT-10. Use battery drill with clutch set.
A Cutaway view of installed clip		







MORE INFO: Clip Layout guide TD-02 & TD-08

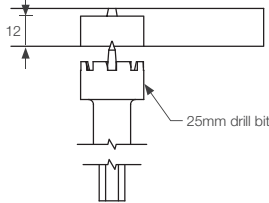
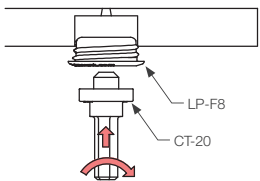
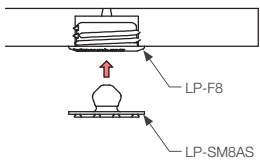
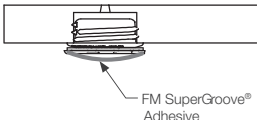
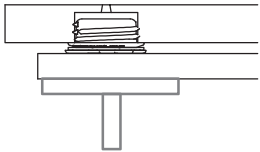
LOW PROFILE LP RANGE

INSTALLATION GUIDE

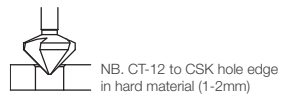
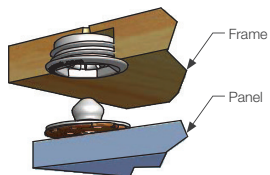
LP-F8 Low Profile Self Tapping Female

<p>LP-F8</p> 	<p>USE WITH:</p> <p>LP-M8A LP-SM8As</p> 	<p>INSTALL WITH:</p> <p>CT-19</p>  <p>25Ø drill</p> 
---	--	---

INSTALLATION STEPS Adhesive fix option

<p>1 Drill 25Ø hole in frame</p> 	<p>2 Screw LP-F8 into frame, use battery drill with clutch set.</p> 	<p>3 Fit LP-SM8AS into LP-F8</p> 
<p>4 Adhesive to LP-SM8AS</p> 	<p>5 Drill panel on mark with CT-09</p> 	

A Cutaway view of installed clip (panel removed)

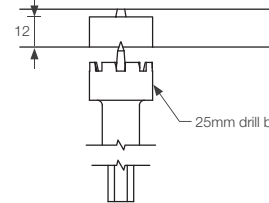
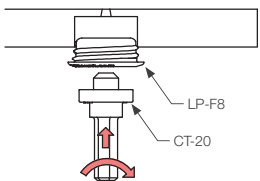
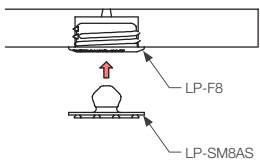
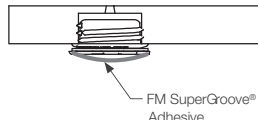
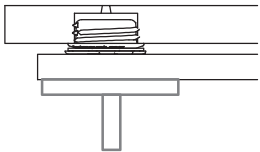


MORE INFO: Clip Layout guide TD-02 & TD-08

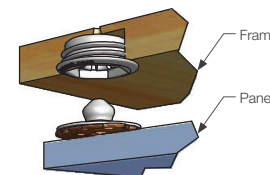
LP-SM8AS Low Profile Surface Mount Male

<p>LP-SM8AS</p>  <p>Reverse</p>	<p>USE WITH:</p> <p>LP-F8 LP-DF8 LP-AF8A</p> 	<p>INSTALL WITH:</p> <p>SuperGroove® adhesive</p>
---	---	--

INSTALLATION STEPS Glue on option

<p>1 Drill 25Ø hole in frame</p> 	<p>2 Screw LP-F8 into frame, use battery drill with clutch set.</p> 	<p>3 Fit LP-SM8AS into LP-F8</p> 
<p>4 Adhesive to LP-SM8AS</p> 	<p>5 Drill panel on mark with CT-09</p> 	

A Cutaway view of installed clip (panel removed)



MORE INFO: Clip Layout guide TD-02 & TD-08

VERY LOW PROFILE VL RANGE

PRODUCT SHEET

VL-03 & VL-03H Very Low Profile Clip Set

INDUSTRY FIT:

SPECIFICATIONS:

The VL-03 and VL-03H are ideal for mounting ceiling and wall panels in areas with minimal frame and panel thickness. The VL-03 and VL-03H clip sets use the patented SuperGroove® system to mechanically engage into adhesive. Screw or adhesive combinations can be used.

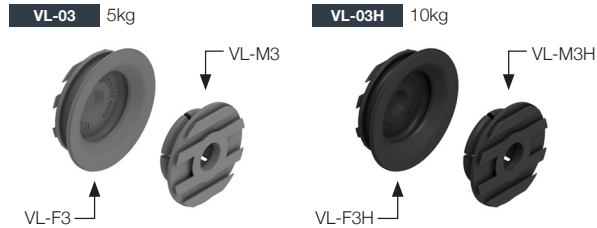
VERY LOW PROFILE VL RANGE

BENEFITS

- Self-aligning secure mounting
- Installation requires no special tools or skilled labour
- Uses a range of adhesives to suit the customer
- Fast installation
- 5kg or 10kg pull out load
- Clip lead in for easy fitting
- Can be screw fixed with lateral adjustment, or glue fixed

APPLICATIONS

- Areas with minimal clearance
- Inspection panels
- Soft or honeycomb cored panels with thin facings
- Mounting panels where no drilling is preferred

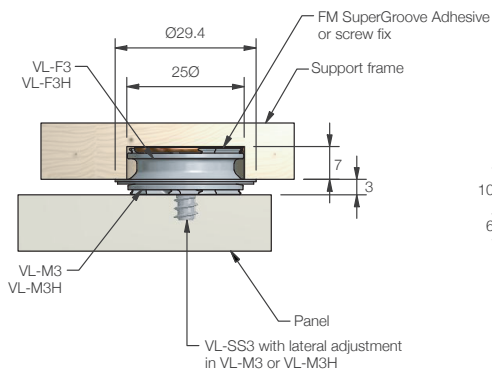


MATERIAL:
Grey or black acetal / nylon GF

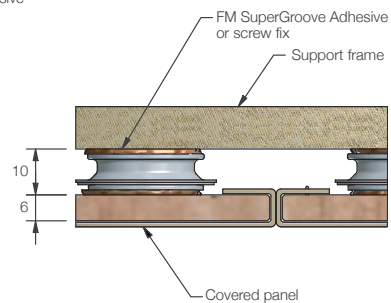
MORE INFO:
Installation Guide IG VL-03
Clip Layout Guide TD-02, 08, 09

INSTALLATION: Partially exploded through section showing typical installation method

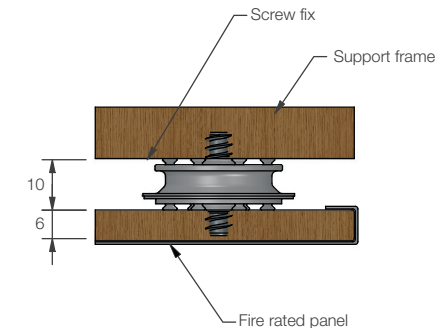
Through section showing recessed installation



Through section showing surface mounted adhesive installation



Through section showing screw fix installation



VERY LOW PROFILE VL RANGE

PRODUCT SHEET

VL-03FR Very Low Profile Clip Set Fire Rated

INDUSTRY FIT:

SPECIFICATIONS:

The VL-03FR combines the Very Low Profile convenience for ceiling and wall panels, with a fire rating, making it useful in commercial areas where fire rating is required on thin panels. The VL-03FR can be rivet or screw fixed. Incorporates the patented SuperGroove® system.

VERY LOW PROFILE VL RANGE

BENEFITS

- Fire rated plastic with V-0 UL rating
- GWIT test at 2mm: 625°C, test method IEC-60695-2-13
- 10kg pull out load
- Rivet or screw fix to steel frames
- Screw fix to panels to ensure mechanical connection
- No special installation tools required

APPLICATIONS

- Fire rated ceiling and wall panels in areas with minimal frame and panel thickness
- Inspection panels
- Thin panels



MATERIAL:
PBT

MORE INFO:
Installation Guide IG VL-03
Clip Layout Guide TD-02, 08, 09

INSTALLATION: Partially exploded through section showing typical installation method



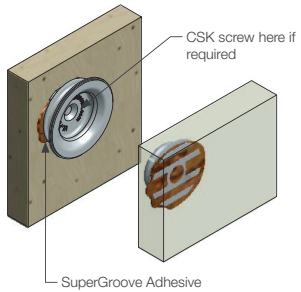
INSTALLATION GUIDE

VL-03, VL-03H & VL-03 FR Very Low Profile Clip Set

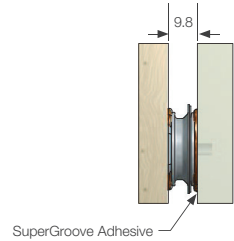


INSTALLATION STEPS

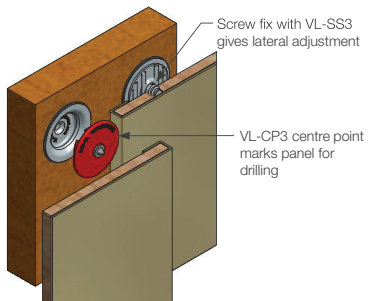
1 Exploded view of typical installation (adhesive fix)



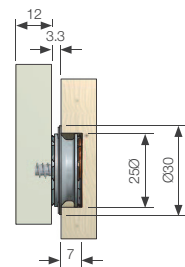
2 Section through installed clip



3 Exploded view showing centre point marker, install option



4 Section through recessed installation



MORE INFO: Clip Layout Guide TD-02 Product sheet VL-03

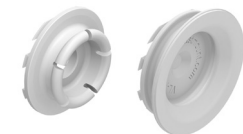


Confidence that just clicks.

As the size of high-scale superyachts and commercial buildings increase, so do the number of regulations for building materials. Which is why Fastmount has designed the fire rated version of the VL-03 clip set. Perfect for corridors or egress areas, the VL-03FR can squeeze into the smallest of spaces with a rivet or screw fix, as Fastmount's lowest-profile clip set.



Baltic Yachts 108 WinWin, Photo: Jeff Brown



Panel mounting solution:
VL-M3FR - panel
VL-F3FR - substrate
VL-SS3 - screw fixed

METAL MC RANGE

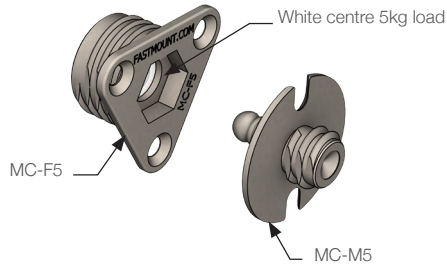
MC-05 Metal Clip Set MC-F5+MC-M5

INDUSTRY FIT:  

SPECIFICATIONS:

METAL MC RANGE

The Fastmount metal clip is designed for demanding applications that require fire protection and heavy load bearing. This versatile metal clip can be used in conjunction with our Standard range clips.



MATERIAL:
EZDA 3 triple plated, SS spring

MORE INFO:
Installation Guide FM IG_MC-05
Clip Layout Guide FM TD-02, 09, 12

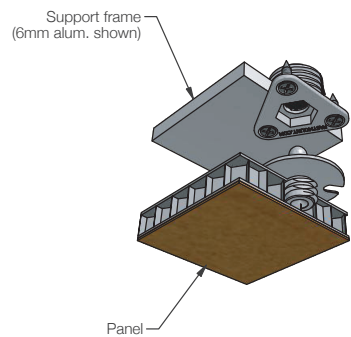
BENEFITS

- Metal clip to withstand high temperatures
- Allows for tolerance and panel flex (self centering)
- Provides acoustic and vibration isolation
- 5kg pull out load
- Self tapping and screw fit mounting options

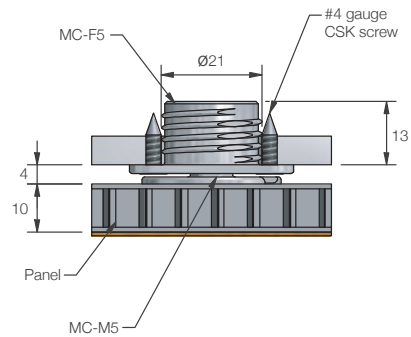
APPLICATIONS

- Fire rated panels
- Panels in fire egress paths
- Ceiling, wall and exterior panels
- Mounting of curved panels
- Variety of substrates

INSTALLATION: Partially exploded through section showing typical installation method



Cutaway exploded view (nts)



Typical section (1:1)

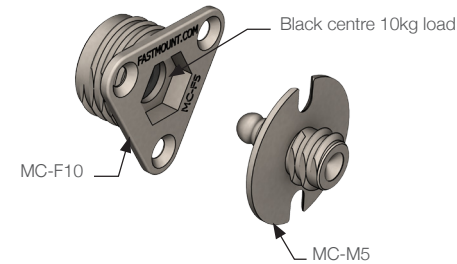
MC-10 Metal Clip Set MC-F10+MC-M5

INDUSTRY FIT:  

SPECIFICATIONS:

METAL MC RANGE

The Fastmount MC-F10 metal clip is designed for demanding applications that require fire protection and heavier load bearing. This versatile metal clip can be used in conjunction with our standard range clips.



MATERIAL:
EZDA 3 triple plated, SS spring

MORE INFO:
Installation Guide FM IG_MC-05
Clip Layout Guide FM TD-02, 09, 12

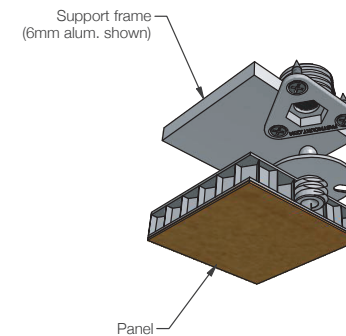
BENEFITS

- Metal clip to withstand high temperatures
- Allows for tolerance and panel flex (self centering)
- Provides acoustic and vibration isolation
- 10kg pull out load
- Self tapping and screw fit mounting options

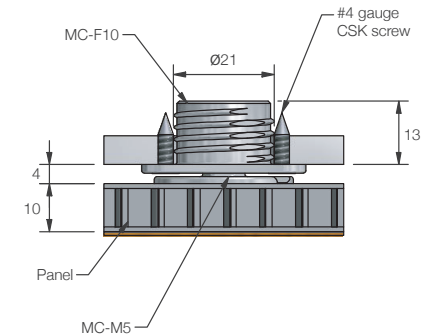
APPLICATIONS

- Fire rated panels
- Panels in fire egress paths
- Ceiling, wall and exterior panels
- Mounting of curved panels
- Install into a variety of substrates

INSTALLATION: Partially exploded through section showing typical installation method



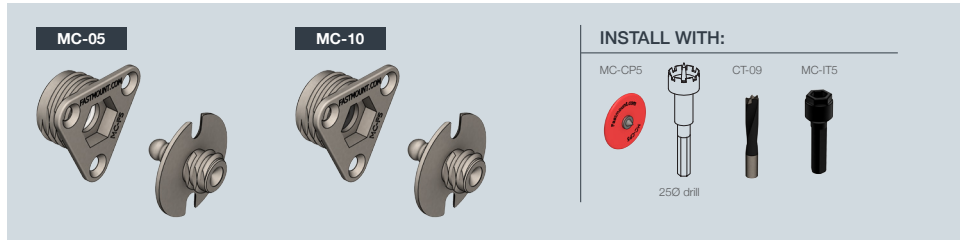
Cutaway exploded view (nts)



Typical section (1:1)

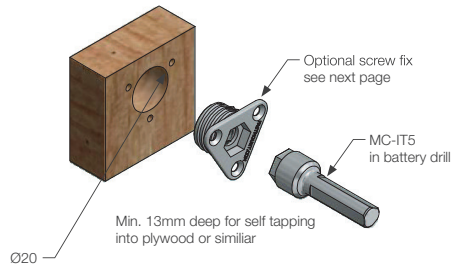
METAL MC RANGE

MC-05 & MC-10 Metal Clip Set

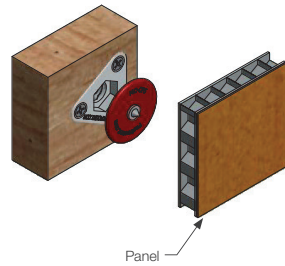


INSTALLATION STEPS Self tapping method

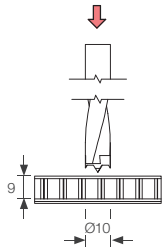
- 1 Drill hole through support frame and fit MC-F5 or MC-F10



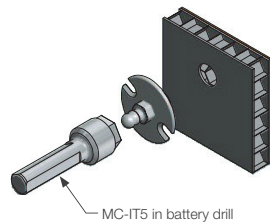
- 2 Mark panel with MC-CP5



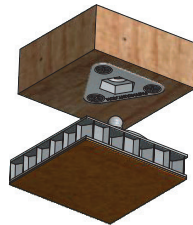
- 3 Drill panel on centre mark



- 4 Self tapping screw fit MC-M5 into panel

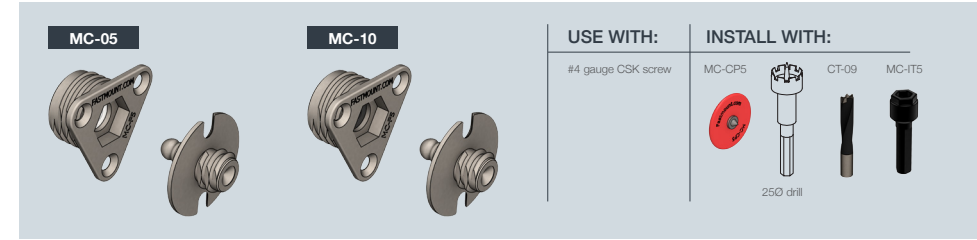


- 5 Exploded cutaway view of installed clip set



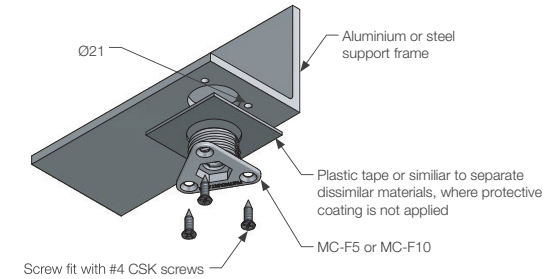
MORE INFO: SETOUT GUIDE TD-02, 09, 12. PRODUCT SHEET MC-05

MC-05 & MC-10 Maxi Metal Clip Set

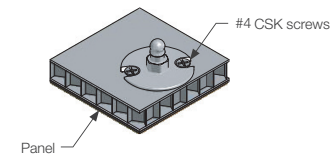


INSTALLATION STEPS Screw fix method

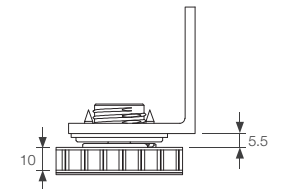
- 1 Drill clearance hole through support frame and fit MC-F5 or MC-F10



- 2 MC-M5 screw fixed to panel



- 3 Cutaway section showing metal frame



Check for separation of dissimilar metals when using MC-05 or MC-10 with aluminium or similar, in exterior applications.

PANELSAFE PS RANGE

PS-150 PanelSafe - Self Tapping Male

INDUSTRY FIT:  

SPECIFICATIONS:

PanelSafe restraint systems provide added security and control. The panel is suspended below the ceiling for convenient servicing behind the panel or controlled removal of the panel by releasing the wire. For use with Fastmount clips and installation tools.

Standard 150mm drop, custom lengths available on request

PANELSAFE PS RANGE

BENEFITS

- Provides extra security for heavy panels
- Easy one-person removal of large panels
- Convenient servicing behind panel without full removal
- Prevents panels falling during fire exit
- Works with existing Fastmount clips
- Variable length to suit application
- Self tapping option available

APPLICATIONS

- Heavy panels
- Large panels
- Thin walled panels requiring adhesive mounting
- Inspection and service panels
- Panels above valuable furniture and artwork



PS-150

USE WITH:

- PC Standard Range
- LP Low Profile Range
- VL Very Low Profile Range
- MC Metal Range

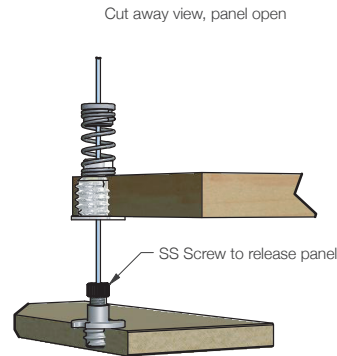
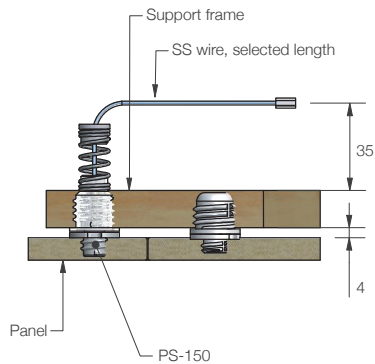
MORE INFO:

Installation Guide PS-150
Clip Layout Guide PS-150 P60

MATERIAL:

Aluminium and stainless steel

INSTALLATION: Partially exploded through section showing typical installation method



PS-150E PanelSafe Easy Fit - Self Tapping Male

INDUSTRY FIT:  

SPECIFICATIONS:

PanelSafe Easy Fit restraint systems provide added security and control. The panel is suspended below the ceiling for convenient servicing behind the panel or controlled removal of the panel by releasing the wire. For use with Fastmount system clips and installation tools.

PANELSAFE PS RANGE

BENEFITS

- Provides extra security for heavy panels
- Easy one person removal of large panels
- Convenient servicing behind panel without full removal
- Prevents panels falling during fire exit
- Works with existing Fastmount clips
- Variable length to suit application
- Surface mount option available

APPLICATIONS

- Heavy panels
- Large panels
- Inspection and service panels
- Panels above valuable furniture and artwork



PS-150E

USE WITH:

- PC Standard Range
- LP Low Profile Range
- VL Very Low Profile Range
- MC Metal Range

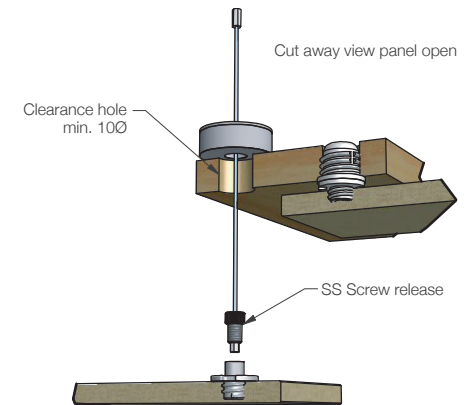
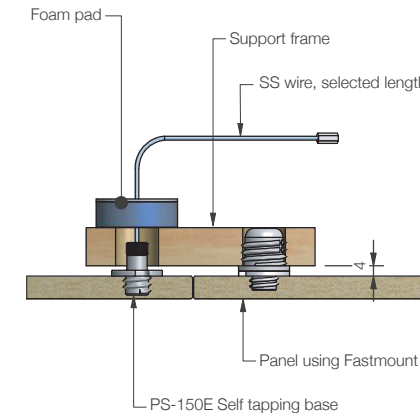
MORE INFO:

Installation Guide FM IG PS-150E
Clip Layout Guide FM IG PS-150E P62

MATERIAL:

Aluminium and stainless steel

INSTALLATION: Partially exploded through section showing typical installation method



PANELSAFE PS RANGE

PS-150E PanelSafe Easy Fit - Self Tapping Male

INDUSTRY FIT:  

SPECIFICATIONS:

PANELSAFE PS RANGE

PanelSafe Easy Fit restraint systems provide added security and control. The panel is suspended below the ceiling for convenient servicing behind the panel or controlled removal of the panel by releasing the wire. For use with Fastmount system clips and installation tools.

BENEFITS

- Provides extra security for heavy panels
- Easy one person removal of large panels
- Convenient servicing behind panel without full removal
- Prevents panels falling during fire exit
- Works with existing Fastmount clips
- Variable length to suit application
- Surface mount option available

APPLICATIONS

- Heavy panels
- Large panels
- Inspection and service panels
- Panels above valuable furniture and artwork



PS-150E

USE WITH:

- PC** Standard Range
- LP** Low Profile Range
- VL** Very Low Profile Range
- MC** Metal Range

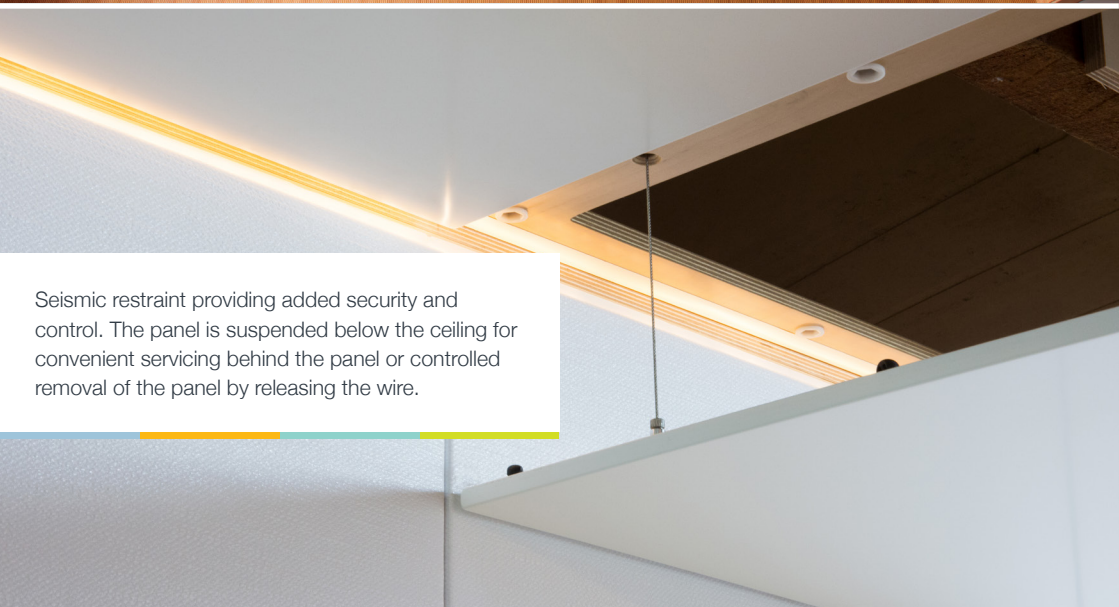
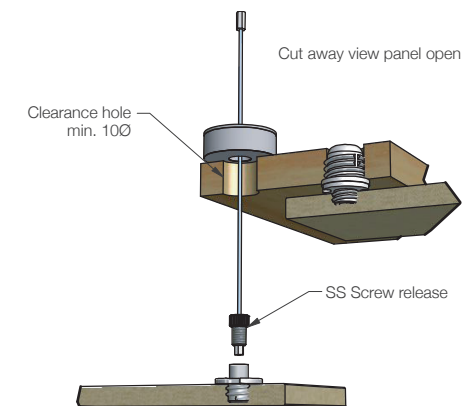
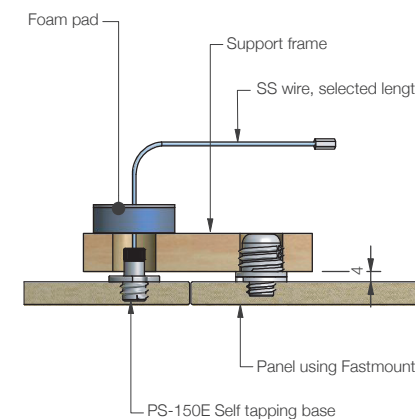
MORE INFO:

Installation Guide FM IG PS-150E
Clip Layout Guide FM IG PS-150E P62

MATERIAL:

Aluminium and stainless steel


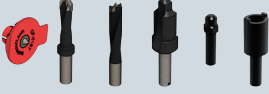

INSTALLATION: Partially exploded through section showing typical installation method



Seismic restraint providing added security and control. The panel is suspended below the ceiling for convenient servicing behind the panel or controlled removal of the panel by releasing the wire.

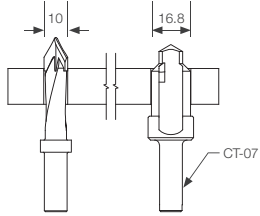
PANELSAFE PS RANGE

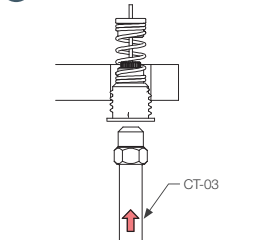
PS-150 PanelSafe Restraint System

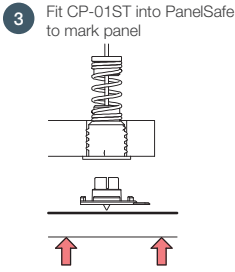
 <p>PS-150</p>	<p>USE WITH:</p> <p>PC Standard Range LP Low Profile Range VL Very Low Profile Range MC Metal Range</p>	<p>INSTALL WITH:</p> <p>CP-01ST CT-01 CT-09 CT-07 CT-03 CT-10</p> 
		

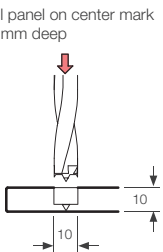
INSTALLATION STEPS Page 1

- Drill hole through panel and frame


- Screw PanelSafe in 16.8Ø hole

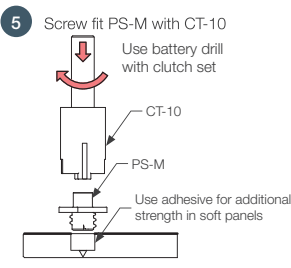

- Fit CP-01ST into PanelSafe to mark panel

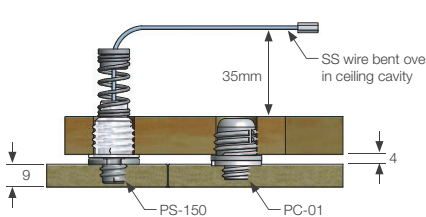

- Drill panel on center mark 7.5mm deep


- Screw fit PS-M with CT-10

Use battery drill with clutch set

Use adhesive for additional strength in soft panels


- Completed installation





SS wire bent over in ceiling cavity

Frame

Panel

SS screw to attach and release panel

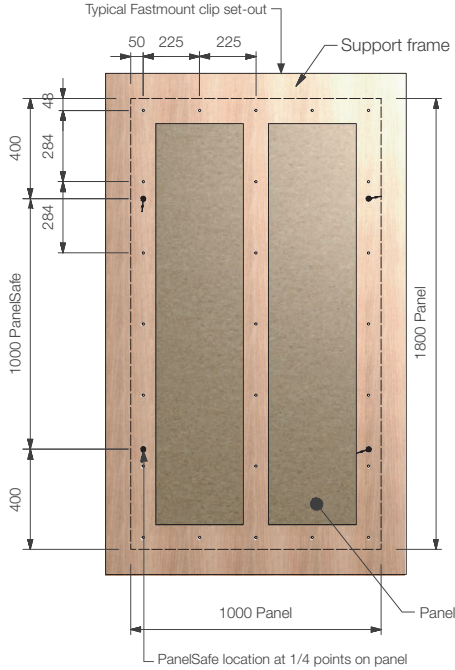
PS-150 PanelSafe Restraint System


 <p>PS-150</p>	<p>USE WITH:</p> <p>PC Standard Range LP Low Profile Range VL Very Low Profile Range MC Metal Range</p>	<p>INSTALL WITH:</p> <p>CT-03 CT-10</p> 
		

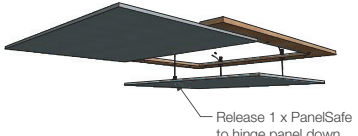
INSTALLATION STEPS Page 2

- Plan view of panel from above with 4 x PanelSafe

Larger or more flexible panels may require extra PanelSafes for correct support. Each PanelSafe has a static load of 150kgs and a drop load of 10kgs.

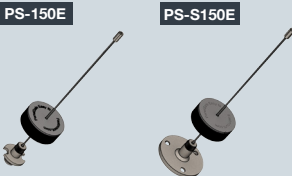


- End view with panel down


- End view with panel down

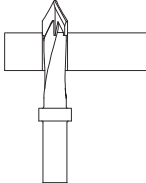
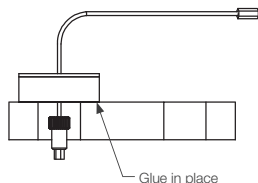
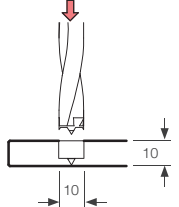
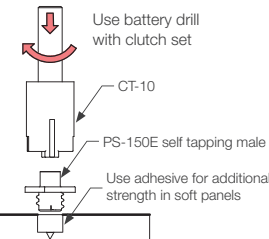
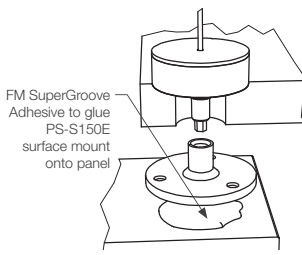
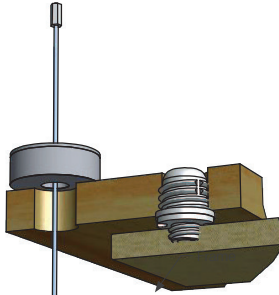
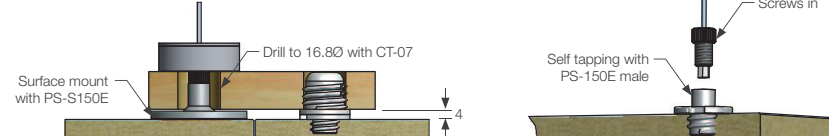


PANELSAFE PS RANGE


PS-150E + PS-S150E PanelSafe Easy Fit Restraint System

 <p>PS-150E PS-S150E</p>	<p>USE WITH:</p> <p>PC Standard Range LP Low Profile Range VL Very Low Profile Range MC Metal Range</p>	<p>INSTALL WITH:</p> <p>CP-01ST CT-01 CT-09 CT-07 CT-10</p> 
--	---	--

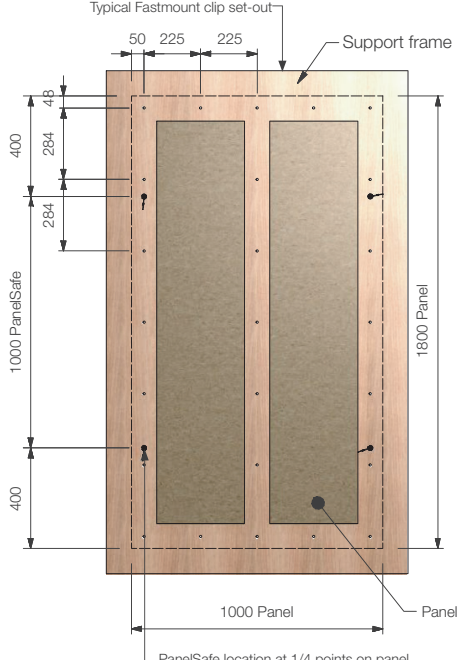

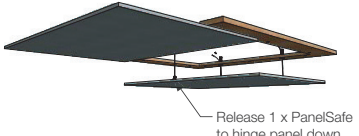
INSTALLATION STEP OPTIONS Refer to product sheets PS-150E & PS-S150E for more information

<p>1 Drill hole through support frame</p> 	<p>2 Fit PanelSafe in 10Ø to 16.8Ø hole</p>  <p>Glue in place</p>	<p>3 Self tapping screw in option. Drill panel on center mark 7.5mm deep.</p> 
<p>4 Screw fit PS-M with CT-10</p>  <p>Use battery drill with clutch set</p> <p>CT-10</p> <p>PS-150E self tapping male</p> <p>Use adhesive for additional strength in soft panels</p>	<p>Surface mount option</p>  <p>FM SuperGroove Adhesive to glue PS-S150E surface mount onto panel</p>	 <p>Screws in</p>
<p>6 Completed installation</p>  <p>Surface mount with PS-S150E</p> <p>Drill to 16.8Ø with CT-07</p> <p>Self tapping with PS-150E male</p>		

PS-150E + PS-S150E PanelSafe Easy Fit Restraint System

 <p>PS-150E PS-S150E</p>
--

INSTALLATION STEP OPTIONS

<p>A Plan view of panel from above with 4 x PanelSafe</p> <p>Larger or more flexible panels may require extra PanelSafes for correct support. Each PanelSafe has a static load of 150kgs and a drop load of 10kgs.</p>  <p>Typical Fastmount clip set-out</p> <p>50 225 225</p> <p>Support frame</p> <p>400 4B 284 284</p> <p>1000 PanelSafe</p> <p>1800 Panel</p> <p>1000 Panel</p> <p>Panel</p> <p>PanelSafe location at 1/4 points on panel</p>	<p>B End view with panel down</p> 
<p>C Plan view of small panel from above with 3 x PanelSafe</p>  <p>Release 1 x PanelSafe to hinge panel down</p>	

TEXTILE TC RANGE

TC-F6 Textile Clip Range

INDUSTRY FIT:

SPECIFICATIONS:

TEXTILE CLIPS TC RANGE

TC-F6



USE WITH

TC-SM6

TC-M6



TC-R6 Removal tool



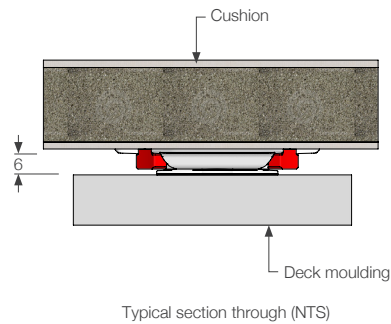
APPLICATIONS

- Exterior cushions
- Sundeck mattresses
- Foredeck mounted mattresses
- Seating areas external & internal
- Crew and guest areas

BENEFITS

- TC-F6 sews onto cushion at upholstery stage
- Enables attachment of soft furnishings to painted or gelcoat surfaces
- Makes furnishings quick to install, and easy to remove
- High quality, secure finish
- Easy alignment to replace the cushion, clip locks into place
- Purpose built
- No force required to remove the furnishing – simply press one of the three buttons to disengage the lock
- Saves removal time for staff and crew
- Invisible fixing – no visible domes, screws, straps or hook and loop
- 10kg break out load

INSTALLATION:



TC-M6 Male Clip

INDUSTRY FIT:

SPECIFICATIONS:

TEXTILE CLIPS TC RANGE

TC-M6



USE WITH

TC-F6



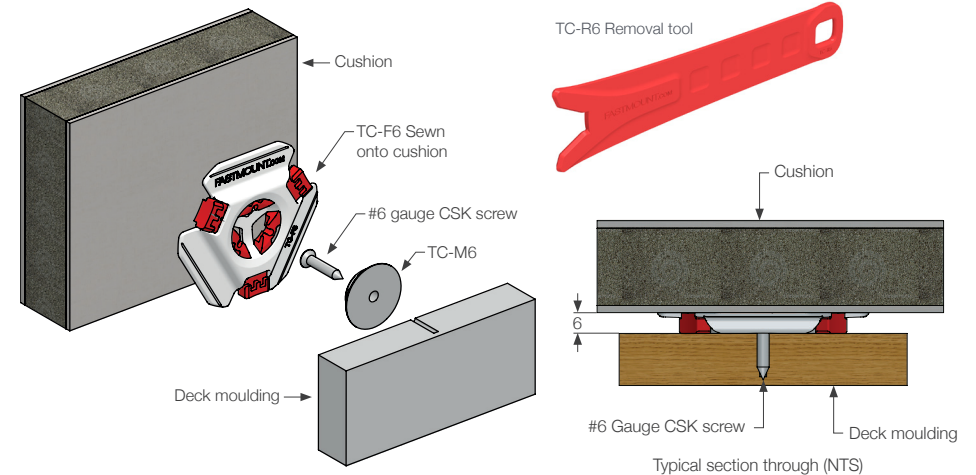
APPLICATIONS

- Exterior cushions
- Sundeck mattresses
- Foredeck mounted mattresses
- Seating areas external & internal
- Crew and guest areas

BENEFITS

- Screw fixes to deck or substrate
- Enables the attachment of soft furnishings to hard surfaces
- Makes furnishings quick to install, and easy to remove
- High quality, secure finish
- Easy alignment to replace the cushion, clip locks into place
- Purpose built
- No force required to remove the furnishing – simply press one of the three buttons to disengage the lock
- Saves removal time for staff and crew
- Invisible fixing – no visible domes, screws, straps or hook and loop
- 10kg break out load

INSTALLATION: Partially exploded through section showing typical installation method



TEXTILE TC RANGE

PRODUCT SHEET

INSTALLATION GUIDE

TC-SM6 Textile Clip Male - VHB

INDUSTRY FIT:   

SPECIFICATIONS:

TEXTILE CLIPS TC RANGE

TC-SM6



NEW PRODUCT

USE WITH
TC-F6



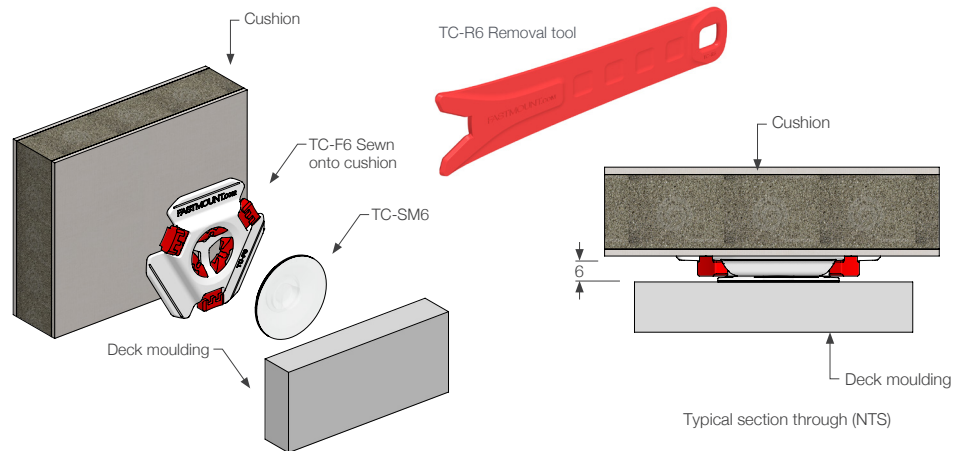
BENEFITS

- VHB self-adhesive fix
- Enables attachment of soft furnishings to painted or gelcoat surfaces
- Makes furnishings quick to install, and easy to remove
- High quality, secure finish
- Easy alignment to replace the cushion, clip locks into place
- Purpose built
- No force required to remove the furnishing – simply press one of the three buttons to disengage the lock
- Saves removal time for staff and crew
- Invisible fixing – no visible domes, screws, straps or hook and loop
- 10kg break out load
- VHB tape on TC-SM6 is clear in colour and UV stabilised, bonds extremely well to painted, smooth flat surfaces.
- No penetrations or screw holes in deck structure when using TC-SM6

APPLICATIONS

- Exterior cushions
- Sundeck mattresses
- Foredeck mounted mattresses
- Seating areas external & internal
- Crew and guest areas

INSTALLATION: Partially exploded through section showing typical installation method



TC-F6 & TC-SM6 Textile Clip Range

TC-F6



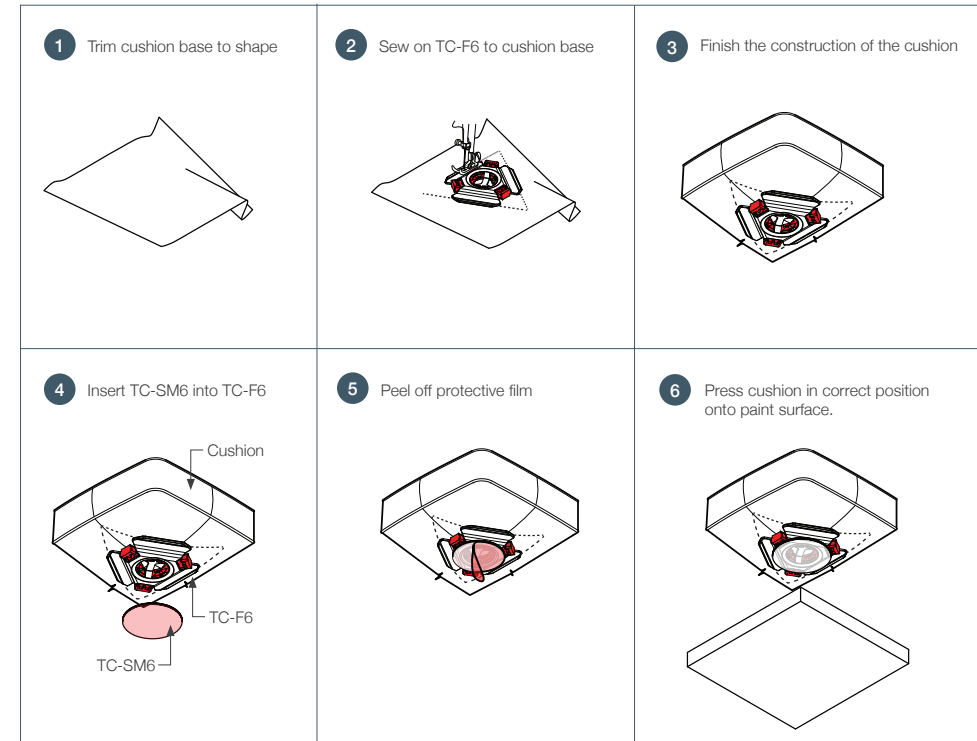
TC-SM6



USE WITH:

Standard upholstery sewing machine using standard foot and needle with nylon thread.
Surface to be used by TC-SM6 must be painted or gelcoat finish, cleaned with solvent or suitable cleaner, dried and free of dust.

INSTALLATION STEPS:

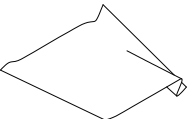
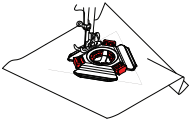
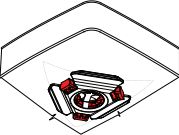
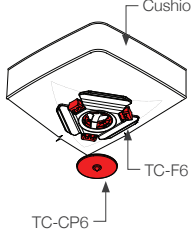
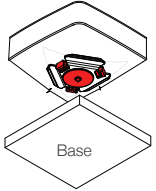
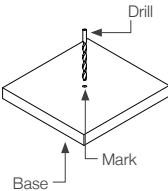
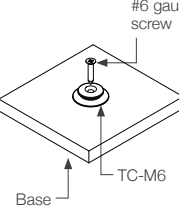
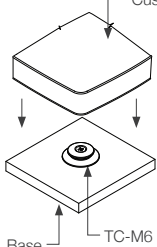


TEXTILE CLIP RANGE





TC-F6 & TC-M6 Textile Clip Range

<p>TC-F6</p> 	<p>TC-M6</p> 	<p>USE WITH:</p> <p>Standard upholstery sewing machine using standard foot and needle with nylon thread.</p>
---	---	---

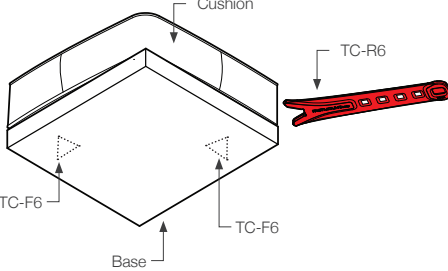
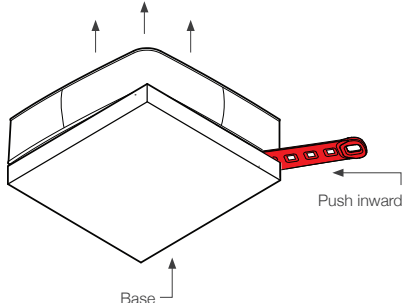
INSTALLATION STEPS:

<p>1 Trim cushion base to shape</p> 	<p>2 Sew on TC-F6 to cushion base</p> 	<p>3 Complete construction of cushion, insert foam etc to finish</p> 	<p>4 Insert TC-CP6 into TC-F6</p>  <p>Cushion TC-F6 TC-CP6</p>
<p>5 Press cushion into place, pushing down on clips firmly to mark base</p>  <p>Base</p>	<p>6 Remove cushion and drill out mark in base</p>  <p>Drill Mark Base</p>	<p>7 Screw on TC-M6 to base using #6 gauge CSK screw</p>  <p>#6 gauge screw TC-M6 Base</p>	<p>8 Clip cushion in place</p>  <p>Cushion Base TC-M6</p>

TC-06 Textile Clip Range - Removal

<p>TC-F6</p> 	<p>TC-SM6</p> 	<p>TC-M6</p> 	<p>REMOVE WITH:</p> <p>TC-R6</p> 
---	--	---	--

CUSHION REMOVAL USING TC-R6 REMOVAL TOOL:

<p>1 Insert TC-R6 Removal Tool between cushion and base, locate clips and push tool inwards, to release clip.</p>  <p>Cushion TC-R6 TC-F6 Base</p>	<p>2 Lift off cushion</p>  <p>Push inward Base</p>
---	---



TECHNICAL NOTES

Pull out loads

The pull out loads will vary depending on the clip type and are specified on each product sheet. They are generally a minimum 5kg for typical standard range clips and 10kg for heavy-duty clips. For extra heavy panels use the PC-VMX with a 15kg pull out load.

The shock load is less and can be as low as 2kg, depending on the type of shock load. Clips never load simultaneously on a panel, so if a panel has 10 clips it does not mean the force required to remove the panel (or the force the panel will take) is 10 x 5kg.

NB. For official SGS performance reports covering, pullout loads, repetitive pull out loads and shear loads.

Please refer to www.fastmount.com

Clip spacing and panel loads

Panels need to be supported evenly around the perimeter to eliminate sagging. The clip spacing requirements will vary depending on the application. Refer to the Fastmount Clip Layout Guides: TD-02, TD-08, TD-09, and TD-12 at www.fastmount.com/en/clip_system/clip_layout_guides

Although many of the Fastmount clip sets will hold more than your potential panel load, the reality of unknown conditions means panels and clips could be subjected to shock loads (g-forces) from huge seas, high winds (exterior panels) or seismic shocks. From our experience it is best to follow our guidelines and also conduct tests of panel type + substrate on a project-by-project basis.

See pages 71, 72, 73, 74 for panel clip setout guides or if you require advice email info@fastmount.com

Fastmount with different materials

You can mount Fastmount clips into or onto most panel products such as plywood, MDF, plastic, fiberglass, HPL, sandwich panels and composite panels such as Alucobond. It is not recommended for use with very heavy materials such as granite or heavy fibre cement board. The LP-DF8 coarse thread female clip is designed to work with drywall plasterboard.

Please refer to the Architectural Clip Selection Guide on pages 75 and 76. And the Marine Clip Selection Guide on pages 77 and 78. Showing substrate and product matrices.

Drill setting and self tapping clips

The clutch setting on battery drills when fitting clips varies from drill to drill. It will depend on the battery charge condition and the material you are screwing into.

Once two or three test clips have been fitted, you will have a good feel for a setting that screws the clips home, but does not over tighten them. If the clips are breaking, the drill setting is too powerful. NOTE: Some hard veneers and hard materials require a small countersink to the entrance of the hole to allow the clip thread to tap into the material. Use CT-12 drill to achieve countersink.

Contact us for advice at info@fastmount.com.

Adhesives for surface mount clips

Our patented SuperGroove® design means the Fastmount surface mount clips use a mechanical engagement to secure the clip, so adhesive selection is mostly dependant on panel material.

A typical two-part epoxy will hold the clip at over three times the clipping load (30-40kg per clip). We recommend the Fastmount SuperGroove Adhesive, a two-part epoxy designed specifically for use with the Fastmount range.

Panel treatment notes (plywood, MDF, composite foam panels)

When selecting the type of finish on your panels, ensure you follow the golden rule of 'balancing' the panel - however you treat the face side of the panel or sheet must be duplicated on the back face of the panel. This is to prevent the panel from warping, due to the unbalanced tension that a single coating or veneer applied to one face of the panel exerts. For example, if the panel face is a paint finish, then the back face will also require a paint finish to balance the tension in the panels. In the case of veneered panels, when applying good veneer on the face side, apply any type of veneer on the back face for the best finish.

As a test to prove this, take a dry plywood or MDF panel approximately 500 x 200mm, coat one face only with water, leave the other face dry and put it in the sun. The panel will warp within hours, which is precisely the same effect as painting one side only, however it may take months for this to happen as moisture is absorbed unevenly from the atmosphere.

Quality installation

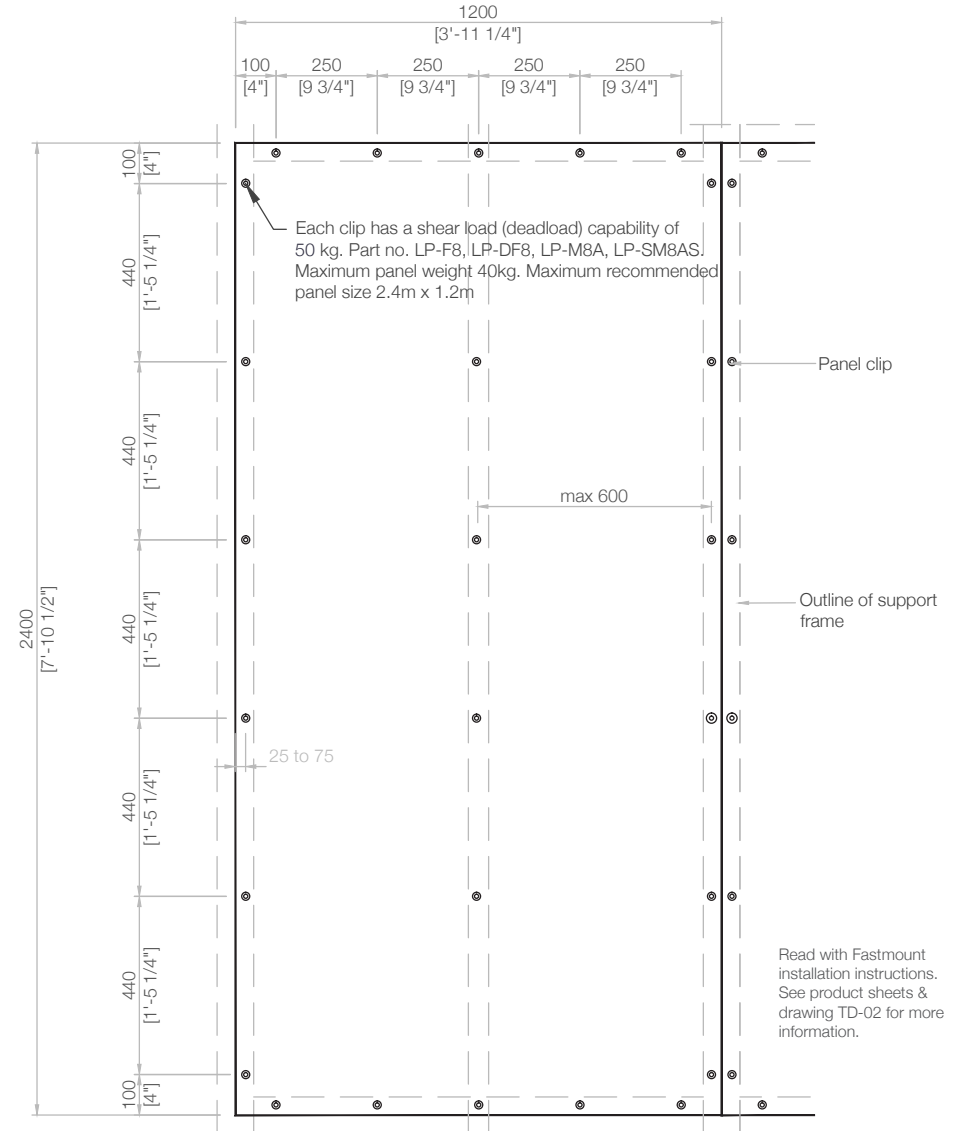
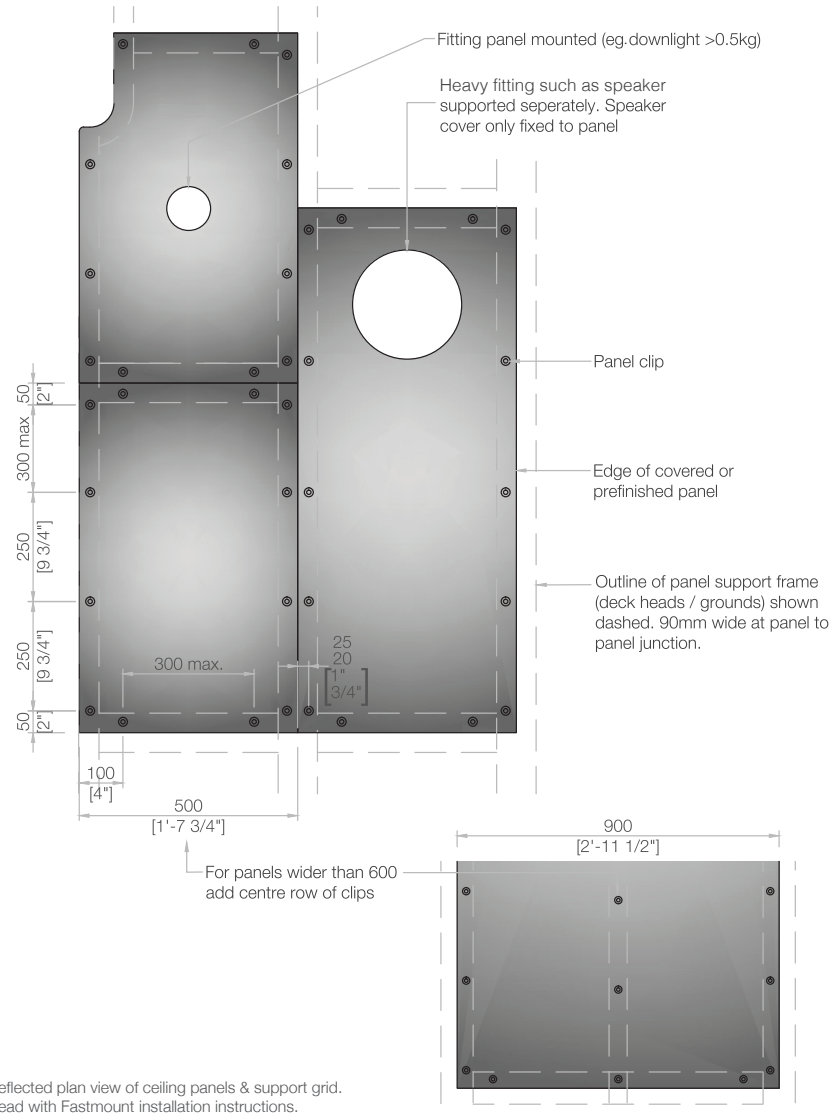
To ensure consistent and quality installation, Fastmount supplies tools where required. Installation guides and videos are available for each range on www.fastmount.com

LAYOUT GUIDE FOR SMALL OR LIGHTWEIGHT CEILING PANEL ALL RANGES

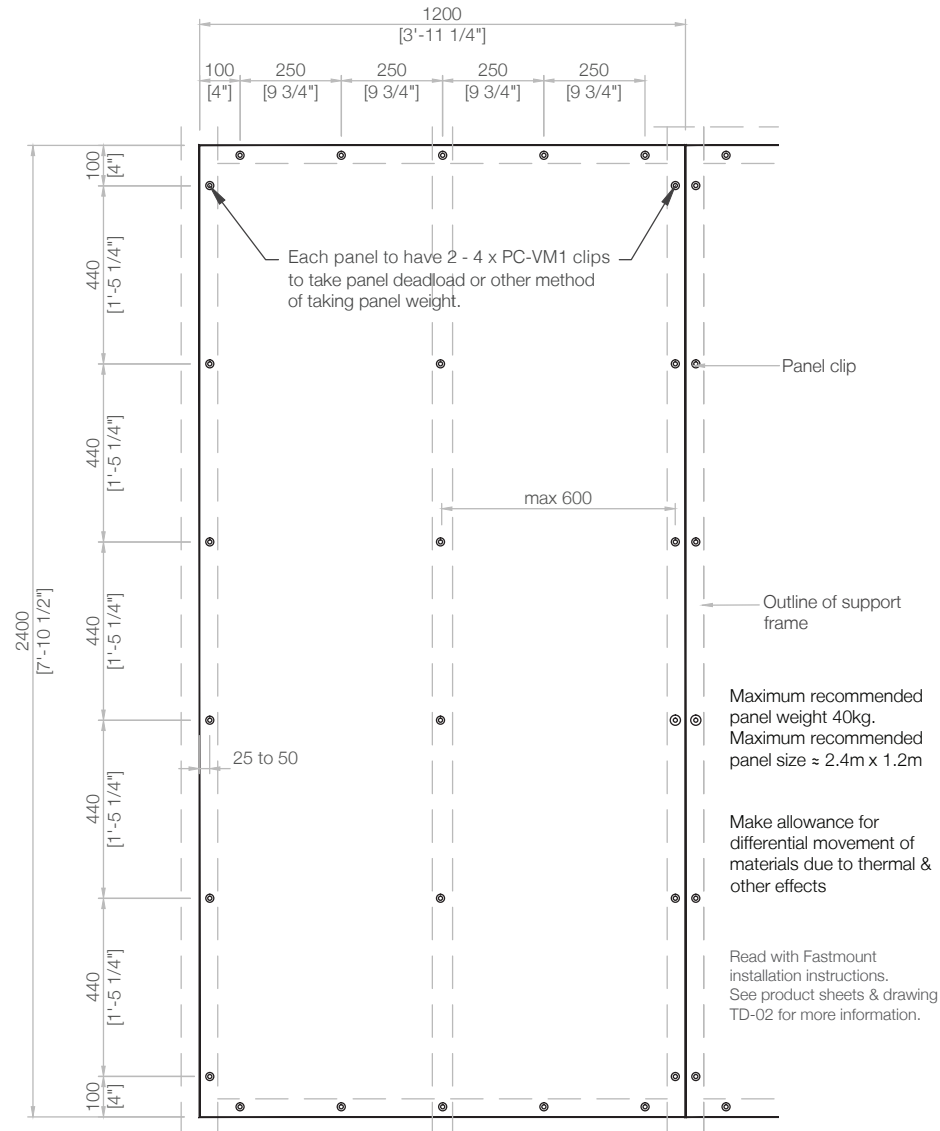
LAYOUT GUIDE FOR LARGE WALL PANEL LOW PROFILE RANGE

TD-02

TD-08

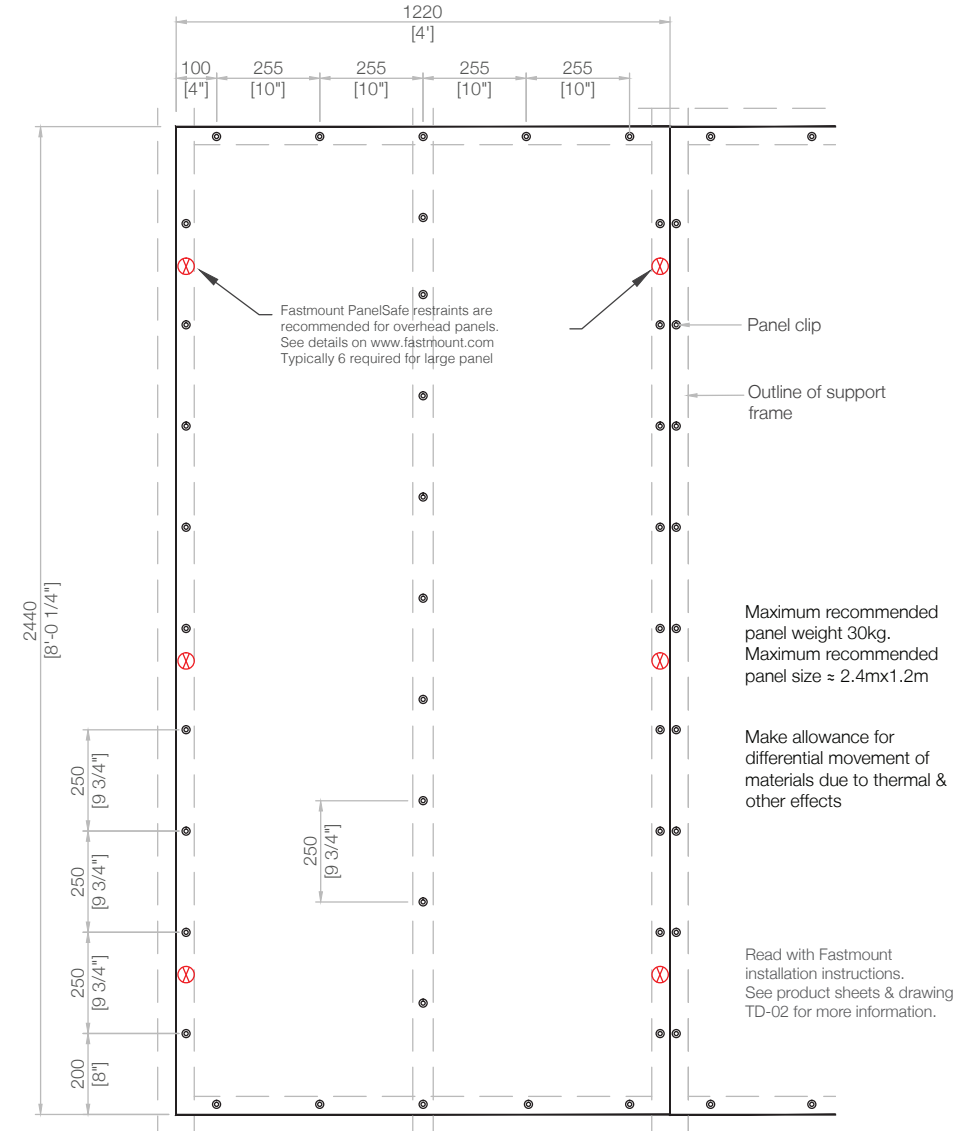


LAYOUT GUIDE FOR LARGE WALL PANEL STANDARD PC RANGE



TD-09

LAYOUT GUIDE FOR HEAVY OR LARGE CEILING PANEL STANDARD PC AND METAL MC RANGES



TD-12

SELECTION GUIDE - ARCHITECTURAL



SUBSTRATE TYPE	PANEL TYPE							
	Plywood	MDF	Particle board		Acoustic panel	Honeycomb	Fibrous cement board	Exterior panel
Steel frames e.g. Rhondo	PC-SF1 + PC-M1B PC-SF1 + PC-M2H PC-SF1 + PC-SM2 PC-SF1 + PC-SM2H	PC-SF1 + PC-M1B PC-SF1 + PC-SM2H	PC-SF1 + PC-M1B PC-SF1 + PC-SM2H + glue thread		PC-SF1 + PC-SM2	PC-SF1 + PC-SM2	N/A	N/A
Timber battens or frames	PC-F1A + PC-VM1 PC-F1A + PC-M2H PC-F1A + PC-SM2H	PC-F1A + PC-VM1 PC-F1A + PC-M2H	PC-F1A + PC-VM1 PC-F1A + PC-M2H		LP-F8 + LP-SM8AS	LP-F8 + LP-SM8AS	N/A	N/A
Concrete + timber batten	PC-F1A + PC-M2H PC-F1A + PC-SM2 PC-F1A + PC-SM2H	PC-F1A + PC-M2H PC-F1A + PC-SM2 PC-F1A + PC-SM2H	PC-F1A + PC-M2H PC-F1A + PC-SM2 PC-F1A + PC-SM2H		Must use Timber batten + LP-F8 + LP-SM8AS	Must use Timber batten + LP-F8 + LP-SM8AS	N/A	N/A
Drywall e.g. Gib Board	LP-DF8 + LP-M8A LP-DF8 + LP-SM8AS	LP-DF8 + LP-M8A LP-DF8 + LP-SM8AS	LP-DF8 + LP-M8A LP-DF8 + LP-SM8AS		LP-DF8 + LP-SM8AS with HMA (hot glue)	LP-DF8 + LP-SM8AS with epoxy glue	N/A	N/A
Plywood, MDF	PC-F1A + PC-M1B PC-F1A + PC-M2H PC-F1A + PC-SM2 PC-F1A + PC-SM2H	PC-F1A + PC-M1B PC-F1A + PC-M2H PC-F1A + PC-SM2 PC-F1A + PC-SM2H	PC-F1A + PC-M1B PC-F1A + PC-M2H PC-F1A + PC-SM2 PC-F1A + PC-SM2H		LP-F8 + LP-SM8AS	LP-F8 + LP-SM8AS with epoxy glue		

This Clip Selection Guide should be used as a general guide only. Please email technical@fastmount.com for more detailed advice if required. For overhead panels Fastmount strongly recommends a trial sample be made to prove compatibility of our systems with the panels and substrates in your project.

SELECTION GUIDE - MARINE



SUBSTRATE TYPE	PANEL TYPE						
	Plywood panels <6mm	Plywood panels >6mm	Synthetic panels (Forex) <6mm		Synthetic panels (Forex) >6mm	Honeycomb panels (Aluminium)	Composite panels (foam core GRP)
Plywood frames or CNC cut plywood ceiling frame work	PC-F1A/AF1/SF1 + PC-SM2 VL-F3 + VL-M3H LP-F8 + LP-SM8AS	PC-F1A + PC-M1B PC-F1A + M2H/SM2/SM2H/VM1/VMX LP-F8 + LP-M8A/SM8A VL-F3 + VL-M3/M3H MC-M5 + MC-F5/F10	PC-F1A + PC-SM2 LP-F8 + LP-SM8AS VL-F3 + VL-M3H		PC-F1A + PC-M1B/M2H/SM2/SM2H/VM1/VMX LP-F8 + LP-M8A/SM8 VL-F3 + VL-M3/M3H MC-M5 + MC-F5/F10	PC-F1A + PC-SM2/SM2H LP-F8 + LP-SM8AS VL-F3 + VL-M3/M3H MC-M5 + MC-F5	PC-F1A /AF1/SF1 + PC-SM2/SM2H VL-F3 + VL-M3/M3H LP-F8 + LP-SM8AS
Aluminium frames	PC-RF1/SF1 PC-SF1 + PC-SM2 VL-F3 + VL-M3H	PC-F1A/SF1/RF1 + PC-M1B/M2H/SM2/SM2H VM1 VMX VL-F3 + VL-M3/M3H MC-M5 + MC-F5/F10	PC-F1A + PC- SM2 LP-F8 + LP-SM8AS VL-F3 + VL-M3H		PC-F1A/SF1/RF1 + PC-M1B/M2H/SM2/SM2H/VM1/VMX VL-F3 + VL-M3/M3H MC-M5 + MC-F5/F10	PC-F1A/SF1/RF1 + PC-SM/SM2H VL-F3 + VL-M3/M3H MC-M5 + MC-F5	PC-RF1/SF1/F1A + PC-SM2 VL-F3 + VL-M3/M3H
Composite substrate	LP-DF8/F8 + LP-SM8AS VL-F3 + VL-M3H PC-SF1 + PC-SM2 PC-F1A + PC-SM2	PC-F1A/SF1/AF1 + PC-M1B/M2H/SM2/SM2H/VM1/VMX VL-F3 + VL-M3/M3H MC-M5 + MC-F5/F10	PC-F1A/SF1/AF1 + PC-SM2 VL-F3 + VL-M3H		PC-F1A/SF1/AF1 + PC-M1B/M2H/SM2/SM2H/VM1/VMX VL-F3 + VL-M3/M3H MC-M5 + MC-F5/F10	PC-F1A/ SF1 + PC-SM2 LP-DF8 + LP-SM8AS VL-F3 + VL-M3/M3H MC-M5 + MC-F5	LP-DF8/F8 + LP-SM8AS VL-F3 + VL-M3/M3H PC-AF1/SF1 + PC-SM2
Steel frames	PC-SF1 + PC-SM2 VL-F3 + VL-M3H	PC-SF1/ RF1 + PC-SM2/SM2H VL-F3 + VL-M3/M3H MC-M5 + MC-F5/F10	PC-SF1/RF1 + PC-SM2 VL-F3 + VL-M3H		PC-SF1/RF1 + PC-M1B/M2H/SM2/SM2H/VM1/VMX VL-F3 + VL-M3/M3H MC-M5 + MC-F5/F10	PC-SF1/RF1 + PC-SM2 VL-F3 + VL-M3/M3H MC-M5 + MC-F5	PC-SF1/RF1 + PC-SM2/SM2H VL-F3 + VL-M3/M3H MC-M5 + MC-F5/F10

This Clip Selection Guide should be used as a general guide only. Please contact email technical@fastmount.com for more detailed advice if required. For overhead panels Fastmount strongly recommends a trial sample be made to prove compatibility of our systems with the panels and substrates in your project.



FREQUENTLY ASKED QUESTIONS

Q. Can I use the Fastmount® system on prefinished panels or painted panels?

Yes. Install with the correct centre points and drill bits for the clip range you are using. These will allow you to align the clips in the panels with the clips in the substrate. See our install videos at www.fastmount.com to see this technique in action.

Q. Is the self tapping clip suitable for hardwood?

It is very variable depending on the hardwood selected, and even on the particular batch of hardwood. Some customers successfully friction fix into an 11mm hole rather than a 10mm hole with the addition of some adhesive in the hole.

Q. Can I mount Fastmount clips into other materials such as fibreglass?

Yes. With the PC-F1A, you will need to use the CT-15 Thread Tap to create a thread in the hole. A small countersink to the entrance edge of the hole will help the clip screw in neatly.

Q. Can self tapping standard and low profile clips be screwed into hardwoods and high pressure laminates e.g. MDF and fibreglass?

The following three options are recommendations only, as panel and substrate density can vary considerably. NB: A test panel should be mounted prior to large scale use.

Option 1: For MDF type panels or substrates, and medium to high density plywood

Once the hole has been drilled for the clip in question, countersink the entrance to the hole to a depth of 1.5mm max. Then, using a battery drill and the correct install tool, screw the clip into the hole while exerting a lot of pressure onto the battery drill.

Option 2: For very dense hardwood panels and substrates

For the male clips, LP-M8 substitute the 10mm hole size with a 10.5-11mm hole. Apply some epoxy glue to the threads of the clip and using a battery drill with the correct install tool (CT-10) screw the clip into the hole, while exerting pressure onto the battery drill.

The drill size will vary depending on density of panel, so you will need to test a sample piece to ascertain the correct drill size for your project.

Option 3: For very dense hardwoods

Use a surface mount male clip. Match this clip with the female clip mounted in the frame or substrate.

Alternatively, use the MC-05 Metal clip system. The metal construction means it will screw into most hard materials including solid fibreglass.

Q. Can I use fewer clips if the panel weighs less than the combined pull out load of the clips on my panel?

No. It is important to view the TD Clip Layout Guides, which are designed to allow for even distribution of the clips, so that the panel is held securely and evenly to ensure a flawless appearance. In calculating the TD Clip Layout Guides, we do our best to include factors like possible seismic g-forces, impact, flexing and thermal expansion.

Placing your clips excessively wide, such as 600mm apart, or using too few clips may contribute to the panel sagging slightly between the clips, depending on the panel stiffness. See the TD Clip Layout Guides on previous pages which show correct clip spacing for the various panel types.

Q. How much space is required between Fastmount clip sets?

Refer to the TD Clip Layout Guides for recommended clip set spacing for removable ceiling and wall panels and for large, heavy or small, light-weight panels.

For clip set spacing recommendations for other applications please email technical@fastmount.com.

Q. Will panels sag over time?

No, not if the clips are installed with the proper spacing. Placing your clips excessively wide, around the perimeter of a 6-12mm thick ceiling panel, over 400mm apart, or using too few clips may contribute to the panel sagging slightly between the clips, depending on your panel stiffness.

See the TD Clip Layout Guides on previous pages which show correct clip spacing for the various panel types.

Q. Why are the panels not fitting correctly?

Check the clip alignment. If the panels are fabric covered, check that allowance has been made for the correct thickness of the fabric on the edge of the panels, and check that the 10mm drill hole is square to face.

Q. Why do clips occasionally break?

As male clips can be broken due to mishandling, please ensure male clips are not installed until the final fit. We recommend that you regularly monitor the diameter of the female hole drilled out by the CT-07. If it is less than 16.8mm, undue tension will be applied to the female part of clip when screwed into place. This puts pressure on the male part of clip which may cause occasional breakages. NB: do not use standard 16mm drill bits as these will cause breakages.

Q. If the front face of the panel is veneered and/or painted, should the other side of the panel with Fastmount clips fitted have the same?

Yes, panels must be balanced. If a panel is not painted, sealed or veneered equally on both faces, the panel is considered unbalanced and is likely to distort, cup or twist, exerting tremendous pressure on the mounting system. This can lead to the centre of large panels 'popping' off as the clips struggle to withstand this cupping or warping pressure. Sealing or veneering both sides so that the panel is structurally stable is simply good practice. Fastmount can provide advice but is not responsible for the unclipping of clips due to distorted panels.

Q. Does the Fastmount panel mounting system have a warranty?

Yes, the Fastmount panel mounting system has a comprehensive 2 year warranty. View our warranty online.



MAINTENANCE

FASTMOUNT AUTHORISED DISTRIBUTORS

Maintenance of panels mounted with Fastmount clip systems

Fastmount clips have been designed to be removed and refitted easily. The clips are hidden when in place and require no special maintenance. The Fastmount panel mounting system allows for easy access to maintain wiring, electronics and plumbing in the substrate, as well as access to storage behind the panels.

To remove panels

Use cotton gloves when handling panels.

Covered panels should be removed using the CT-05 panel removal tool introduced at the corner edge of the panel and then pulling the panel gently away from the support frame, slowly disengaging each line of clips.

Painted or prefinished panels should be removed using two of the CT-17 glass suckers.

NOTE: if the panels are very long, wide or heavy always ensure that 2 people handle the panel for safety and to minimize extreme pressure on the clips.

Clip breakage

If the panel male clip breaks (typically due to extreme oblique pressure, extreme g-forces, or rough handling) the clip can be replaced easily and quickly with the CT-06 Service Kit which contains installation tools, CT-05 panel removal tool and a number of replacement clips.

To refit panels

Use cotton gloves when handling panels. Present the panel up to the original panel space and firmly push panels into place ensuring all clips are engaged. Use a firm pressure, do not hit the panel hard with your hand to engage clips – this can cause damage to the panels and the clips.

Tool maintenance

Periodically coat the drill bits in tooling oil (not supplied).

For further information please refer to the Fastmount Installation Guides.

AFRICA

Dynamic Supply Systems (DSS)

+27 (0)11 616 4396

AUSTRALIA

MarineWare

+61 (7) 5502 8966

Titus Tekform Pty Ltd

+61 (02) 9826 0007

AUSTRIA & GERMANY

Robert Lindemann KG

+49 (0)40 211197 20

BAHRAIN, KUWAIT, SAUDI ARABIA & UAE

Exalto Emirates LLC

+971 (0)6 545 3366

BRAZIL

I-Sea

+5511 9 9922.5505

CANADA

Western Marine

+1 604 253 3322

Sugatsune Canada Inc

+1-514-312-5267

CHINA & TAIWAN

MCA Corp

+886 07 5362583

DENMARK

HF Industri & Marine

+45 6220 1312

FINLAND

MarineMan Oy

+358 10 4235220

FRANCE

Domarine

+33(6)72 808 185

ITALY

Promotech Italia Srl

+39 0584 55 026

JAPAN

Sugatsune Co Ltd

+81 (03) 3866-2267

NETHERLANDS

Kroon B.V.

+31 (0) 598-858585

NEW ZEALAND

QCD Ltd

+64 09 815 7500

POLAND

Nowacore

+48 504 071 930

SINGAPORE

Beltiston Ventures Pte Ltd

+65 6367 3148

SPAIN

BAITRA, SL

+34 986 354 000

SPAIN

Riviera Trade

+34 606 959 967

SWEDEN

HF Marin Sweden AB

+46 550 77 11 11

TURKEY

Neva Marine

+90 (216) 447 0600

UK & IRELAND

Sugatsune Kogyo (UK) Ltd

+44 (0) 1189 272 955

USA

Spradling Int'l Marine

+1 800 967 7753

Sugatsune America

+1 800-562-5267

TECHNICAL SUPPORT

AUSTRALASIA

Fastmount Ltd

+64 21369804

EUROPEAN UNION

Domarine

+33 (0) 672 808185

UK & IRELAND

Sugatsune Kogyo (UK) Ltd

+44 (0) 1189 272 955

USA & CANADA

Sugatsune America, Inc

+1 (310) 329-6373

fastmount.com



Supplying to 1000's of companies in over 50 countries, the Fastmount® Panel Mounting System offers exceptional panel mounting solutions for the marine, architectural, aviation and recreational vehicle industries. Its global network of distributors ensures easy accessibility to the Fastmount system worldwide.

Visit fastmount.com to find your nearest distributor or request a trial kit online.



9 421032 530708 >



PROUDLY DESIGNED & MANUFACTURED IN NEW ZEALAND

Copyright © 2017 Fastmount