



DIY Shower Bases

Torbex Shower Bases

# Ultra lightweight, low profile shower bases



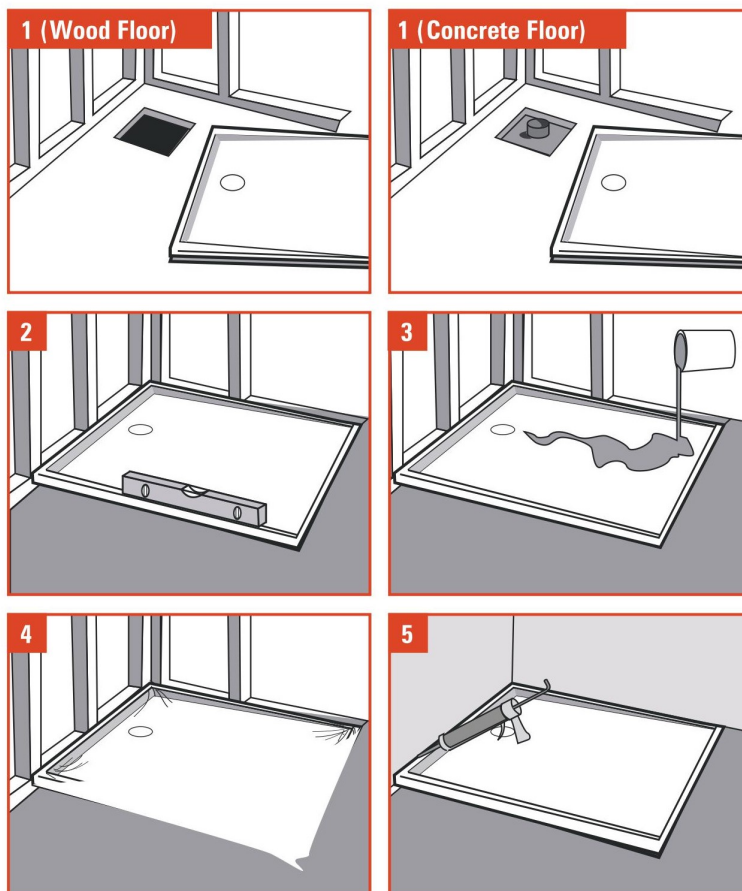
# Akril Shower Bases

The lowest profile shower base on the market also provides a simple, elegant option to complete your bathroom.

## Installation

1. Floorboards or sheet flooring must cover the entire underside of the showerbase. Cut a hole through the floor no greater than 200mm x 200mm. Concrete should be cut wider at 300mm x 300mm. If you are doing a renovation, the floorboards must be checked for durability as rotting may have occurred and the flooring may need to be replaced.
2. The shower base can be installed on silicone over the total base area. Lay the base on the floor and check that it is level on all sides including the front and the rear. This will ensure that the base drains effectively to the waste outlet. **Note**- If your floor is not level, use a mortar bed spread over the floor with a 12mm notched trowel to ensure the base is fully and evenly supported.
3. To ensure the shower base is installed correctly complete water run off test to the waste outlet prior to commencing the installation of the shower walls. This will ensure the shower base is draining correctly.
4. It is highly recommended that you cover and protect the shower base throughout installation and until it comes into service.
5. Finally apply silicone to the bottom edge of the shower wall to the shower base before the screen is fitted.

Please note this is not a comprehensive installation guide. Please refer to the full installation manual at [www.akril.com.au](http://www.akril.com.au)



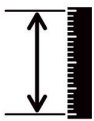
# What are Akril Shower Bases?



Up to 30% lighter than similar shower bases on the market. Removes on site OHS issues across multi level jobs with a comfortable one person lift.



Highest chemical resistance in the category provides peace of mind that Akril Shower Bases will maintain their brilliant quality for longer than any competitors.



Up to 50% lower profile than equivalent shower bases available. Installation is a breeze with no need to check into the floor due to a high profile.

Low profile for elegant style



Highest chemical resistance

Extremely Lightweight

Ultra low profile – lowest on the market

No grout to clean

7 year warranty

Multiple sizes available

Centre rear outlet

Made from Torbex®

Waste included

Manufactured in Australia

Lips on all 4 sides

More durable than polymarble

No grout and joins making it easy to clean



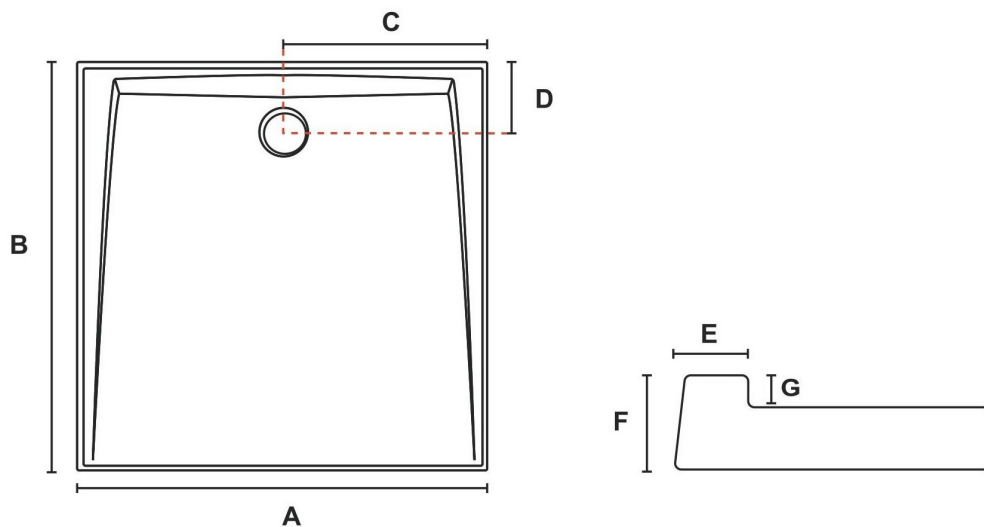
## What is Torbex®?

Torbex® is a high strength long glass fibre composite material designed and developed specifically for use in shower trays. Torbex® is produced by Australia's largest manufacturer of composite materials.

# Shower Base Specifications

## The Range

Width (mm)	Length (mm)	Outlet	Weight (Kgs)	Code
900	900	Centre Rear	11	54770
1000	1000	Centre Rear	13	54771
1200	900	Centre Rear	14	54772
1370	900	Centre Rear	16	54773
1660	900	Centre Rear	20	54774



## Dimensions

Model	A	B	C	D	E	F	G
900 x 900 Centre Rear	900	900	450	150	10	28	10
900 x 1200 Centre Rear	1200	900	600	150	10	28	10
1000 x 1000 Centre Rear	1000	1000	500	150	10	28	10
900 x 1370 Centre Rear	900	900	685	150	10	31	10
900 x 1660 Centre Rear	900	900	830	150	10	31	10

Phone 1800 46 47 28  
 Enquiries enquiries@akril.com.au  
 Orders orders@composite.com.au  
 online www.akril.com.au

Manufactured in Australia by



37 Hosie Street, Bayswater VIC AUS 3153  
 Telephone: (613) 8720 7600  
 Fax: (613) 9729 5197  
 Email: cme@composite.com.au

