

DUO 45mm Cordless Cellular Blind

Product Information

Verosol's **DUO 45mm Cordless Cellular Blind** combines the soft appeal of a curtain with the versatility and simplicity of a blind. The ideal solution for heat and light control.

The DUO 45mm cordless cellular blind is an ideal solution where privacy and/or ventilation is required. Useful for sash windows or when privacy is required low down.

Cordless operation is the perfect child safe option, and simple hand operation to move the blind up and down.

In addition to the DUO cordless, DUO 45mm cellular blinds are available in mono chain/cord and motorised operation



Further Information

To find out more information phone Verosol Customer Care on 1800 721 404 or visit www.verosol.com.au

Technical Information

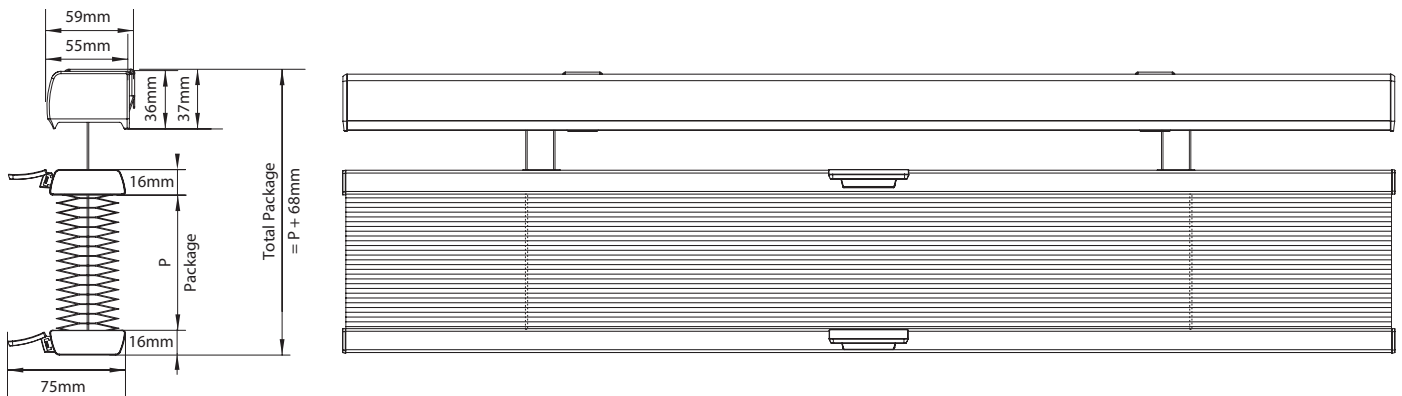
Product Code	P401.1	
Product Name	DUO 45mm Cordless Cellular Blind	
Operation	Hand Operation	
Dimensions	Width	600mm minimum - 2500mm maximum
	Drop	400mm minimum - 2500mm maximum
	Maximum Area	5m ²
Head Rail	Material	Extruded Aluminium Alloy
	Dimensions	52mm W x 36mm H
Bottom Rail	Material	Extruded Aluminium Alloy
	Dimensions	48mm W x 16mm H
	Colours	Coordinated - White, Off White, Silver, Sand, Taupe, Bronze, Anthracite, Black
	Paint	Powder Coated
Inner Rail	Material	H-PVC
End Caps	Material	UV Stabilised Acrylonitrile Butadiene Styrene [ABS] Plastic
	Colour	Coordinated - White, Off White, Silver, Sand, Taupe, Bronze, Anthracite, Black
Lift Cords	Material	Braided Polyester [minimum diameter: 08mm]
	Colour	Coordinated
Cordless Control Unit	Type	Cordless cassette spring control unit concealed in head rail
	Material	UV Stabilised Polymer Acrylic
Installation Brackets	Material / Operation	Press formed spring steel, powder coated Top or Face Fixing - concealed when installed
	Colour	Coordinated - White, Off White, Silver, Sand, Taupe, Bronze, Anthracite, Black

Turn over for additional information

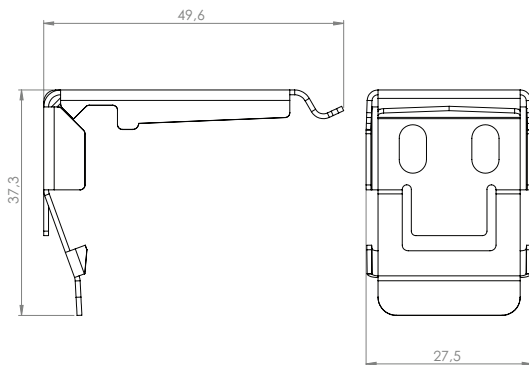
DUO 45mm Cordless Cellular Blind

System Diagrams

DUO Cordless 45mm Cellular Blind



Universal Installation Bracket - Face or Reveal Fixing



Rail Colours

