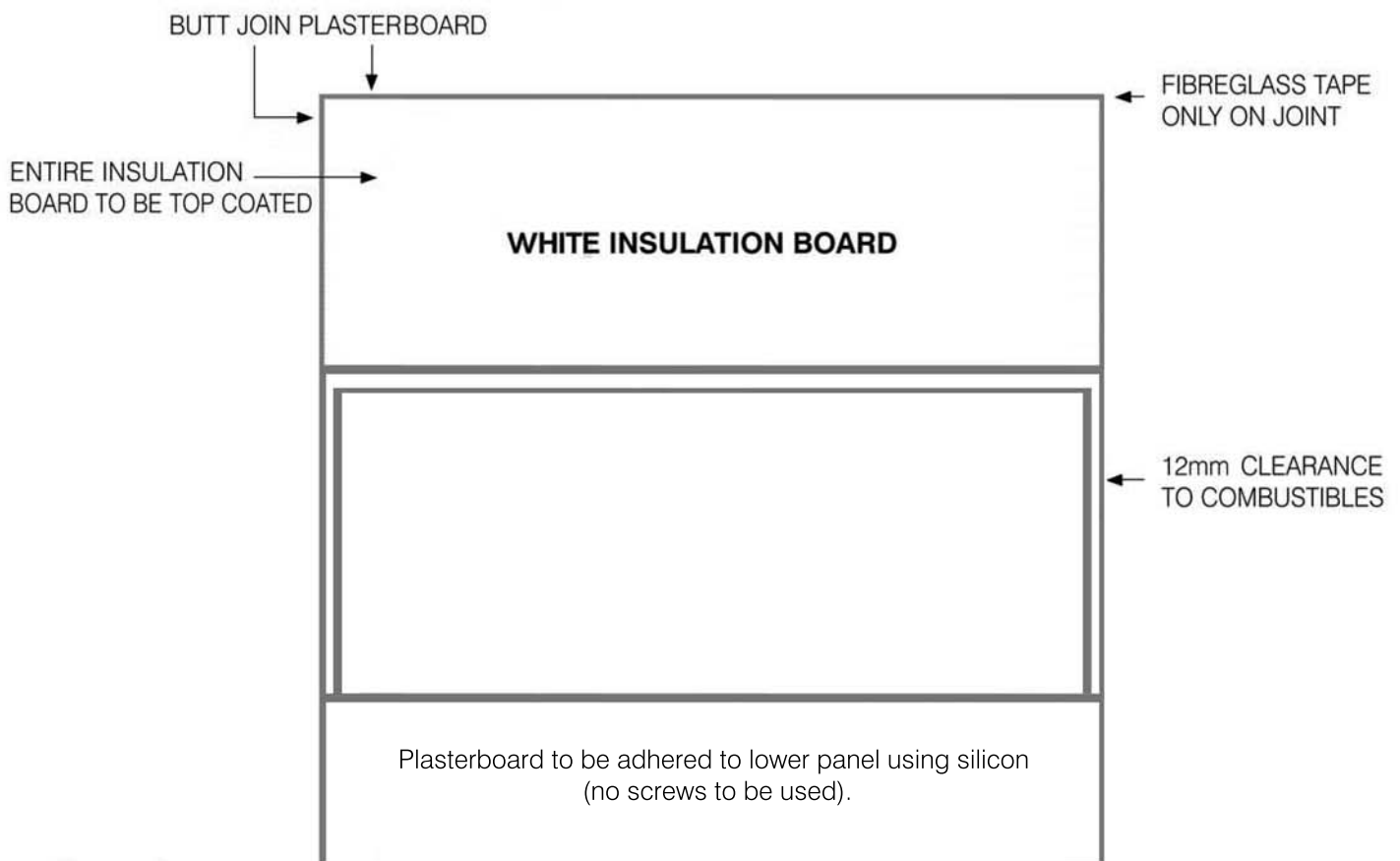


INSTALLATION COSMO XLR-N-AU

AUSTRALIAN GAS ASSOCIATION APPROVED - Approval No. GSCS20139

NOTE - Unit must be installed (and gas connected) prior to plaster sheeting.

- Position unit into framed opening with minimum clearances as per specifications on following pages. Frame opening height is from the bottom of unit. This unit is designed to be raised from the floor.
- Run flues in accordance with the options in the installation manual
- Retain 12mm clearance between plasterboard and vertical sides of unit. Butt join plaster board and white insulation board at top of heater. USING ONLY FIBREGLASS TAPE finish insulation board to plasterboard as per normal plasterboard procedures. Ensure that top coat finish extends down to top of heater, as indicated in diagram below. Insulation board will remain exposed as part of the finished plaster face.



Gas Pipe Requirements

1. If polyethylene composite gas pipe is to be used, a clearance of 150mm must be maintained from all flues.
2. Polyethylene composite gas pipe must not be used as the final connection onto the heater.
3. Leave a 1 metre tail of 1/2 inch copper pipe.

INSTALLATION COSMO XLR-N-AU

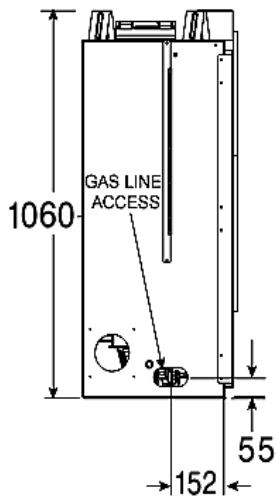
AUSTRALIAN GAS ASSOCIATION APPROVED - Approval No. GSCS20139

Cosmo XLR Specifications

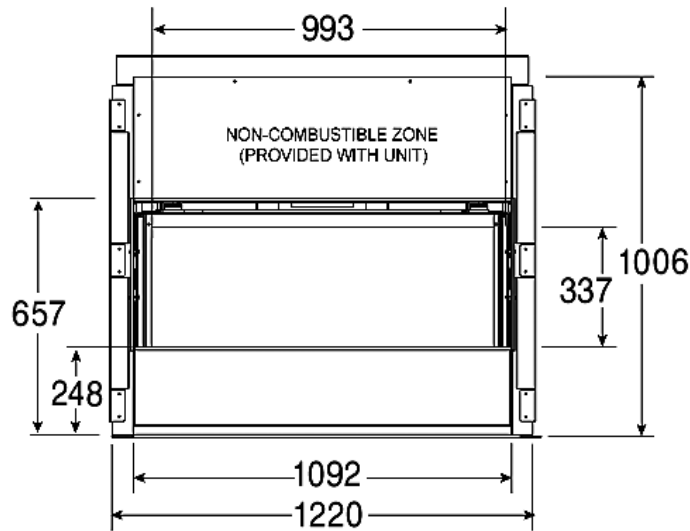
MODEL	HEIGHT		FRONT WIDTH		BACK WIDTH		DEPTH		mjh INPUT	kWh OUTPUT
	Actual	Framing	Actual	Framing	Actual	Framing	Actual	Framing		
COSMO XLR	1006	1070	1220	1270	960	1270	410	460	NG 26 LPG 26	NG 5.9 LPG 5.5

UNIT SPECIFICATIONS

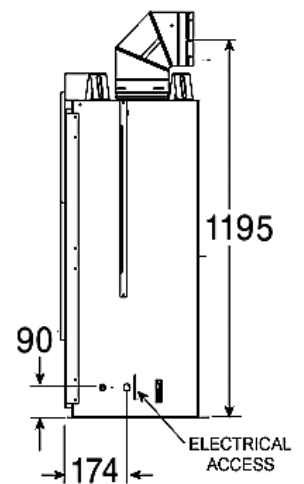
LEFT SIDE VIEW



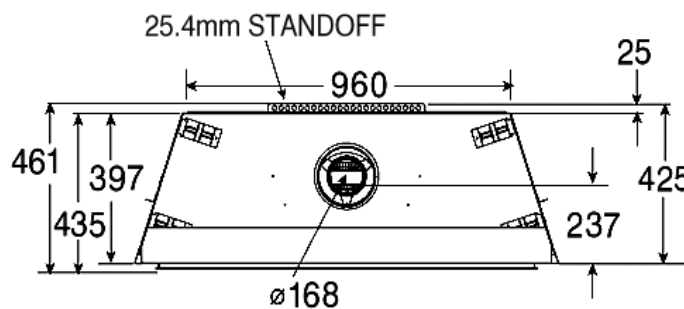
FRONT VIEW



RIGHT SIDE VIEW



TOP VIEW



Dimensions shown above are in millimetres. Reference dimensions only. We recommend measuring individual units at installation. Assume the use of 10mm plaster.

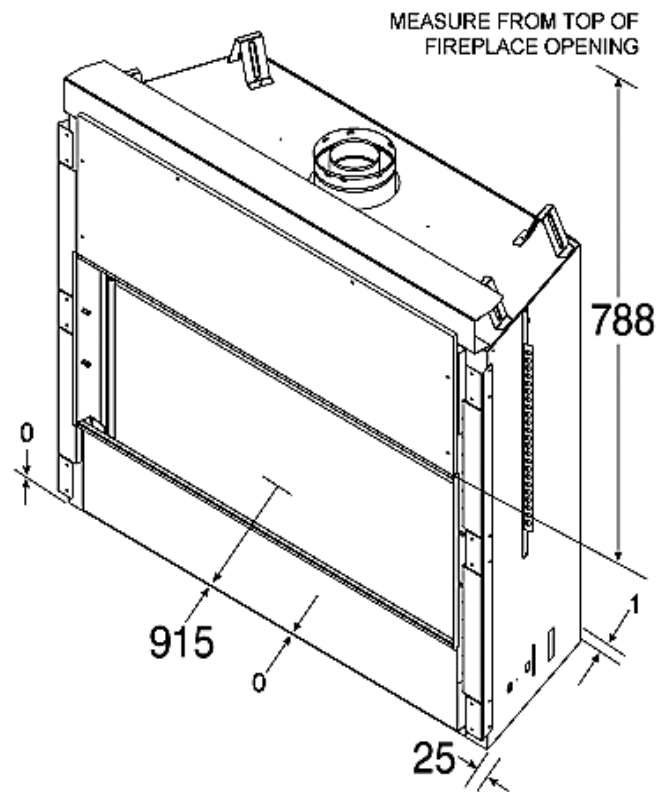
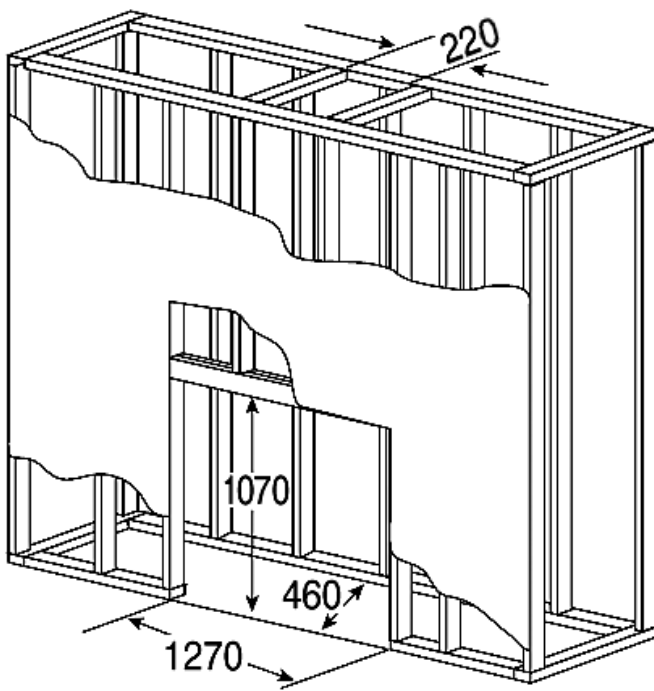
INSTALLATION COSMO XLR-N-AU

AUSTRALIAN GAS ASSOCIATION APPROVED - Approval No. GSCS20139

Cosmo XLR Specifications

MODEL	HEIGHT		FRONT WIDTH		BACK WIDTH		DEPTH		mjh INPUT	kWh OUTPUT
	Actual	Framing	Actual	Framing	Actual	Framing	Actual	Framing		
COSMO XLR	1006	1070	1220	1270	960	1270	410	460	NG 26 LPG 26	NG 5.9 LPG 5.5

FRAMING SPECIFICATIONS



PLEASE NOTE:

- Unit **must** be installed prior to plastering.
- Frame opening is greater than plaster opening.

NOTE: Combustible material should not be installed over the face. Make sure you do NOT cover the decorative door opening. Refer to installation manual for detailed specifications on installing this product. Heat & Glo reserves the right to update units periodically.