

Briton

370 Series Exit Devices

Door controls



The Briton 370 Series is an economical range of push bar devices designed to suit single and double door applications. The 370 Series can be used on aluminium, hollow metal, or wood swinging commercial doors. Available as rim and surface mounted vertical panic bolt devices.

Each model in the 370 Series is operated by a horizontal push bar, which when pushed in a downward arc, withdraws either the bolts or latch, releasing the door for immediate escape in the event of an emergency.

Features

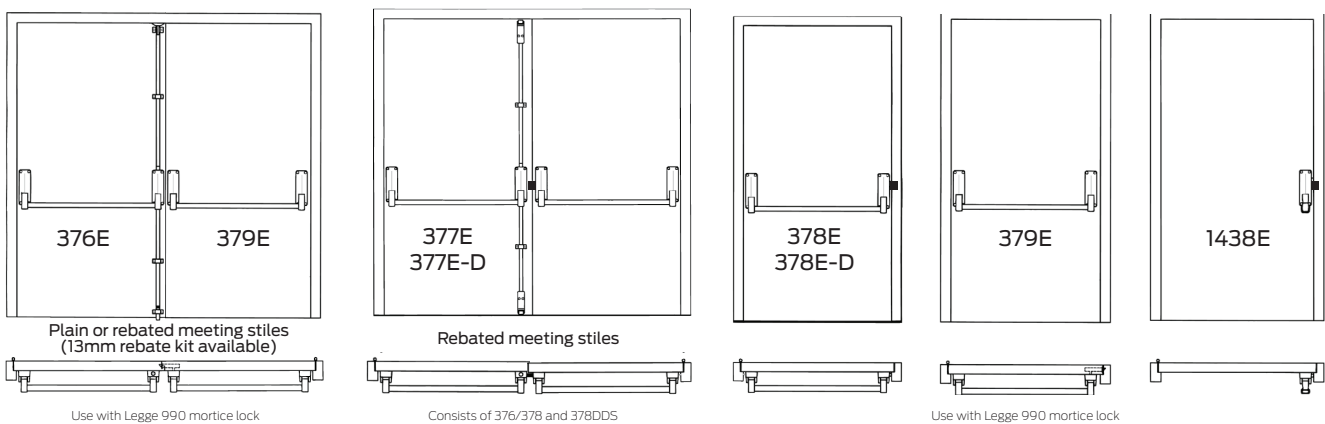
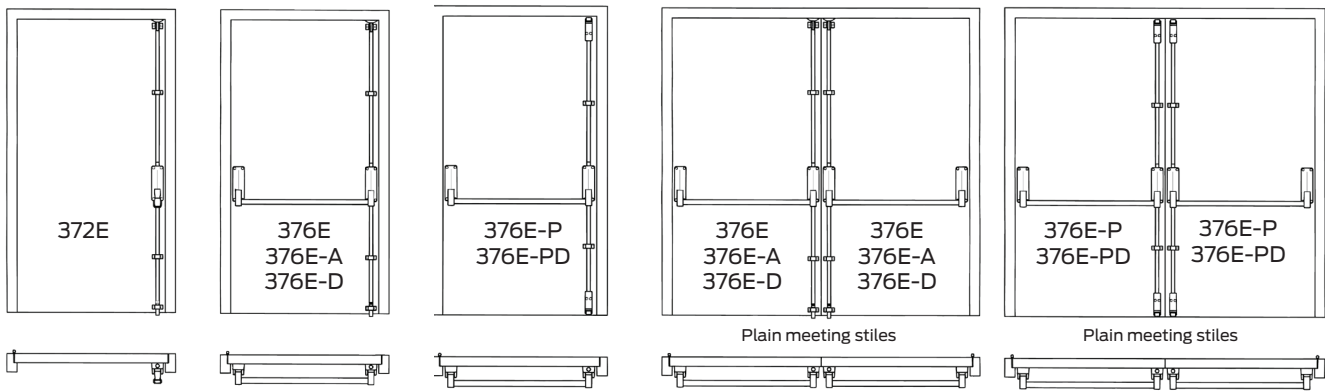
- Tested up to 600,000 cycles providing durability for everyday use
- Designed to operate at low forces to ensure that minimum force is required to withdraw latches or bolts
- Field sizeable to accommodate a range of door openings
- Optional dogging function that allows the latch or bolts to be held in the withdrawn position
- Optional models, including pullman latches and an alarm function
- External trims are available as an option for key access
- 379 mortice latch designed to be used in conjunction with a Legge 990MF mortice lock (ordered separately)

Warranties	
Mechanical	10 years

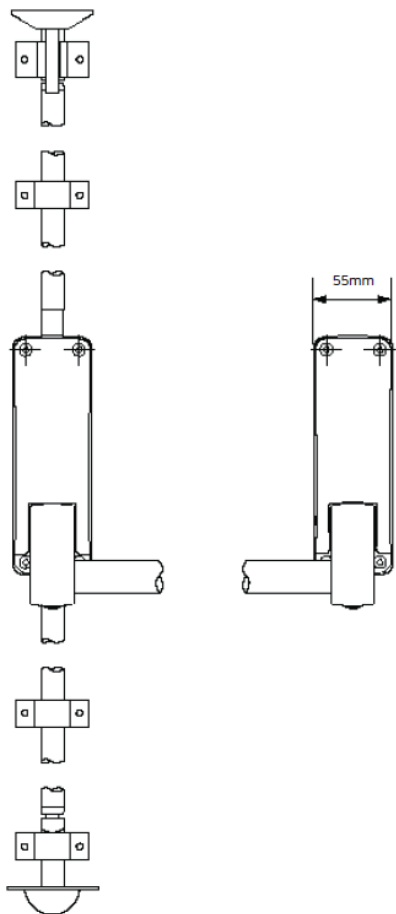
Specification guide

Model	Function	Finish
Push pad rim latch device B1438E	Exit only. blank	Silver enamel. SE
Push pad with vertical rods - exit only B372E	Exit only. blank	
Single panic bolt device B376E	Exit only. blank	
	Dogging. /D	
	Alarm switch /A	
	Pullman latch /P	
	Pullman latch with dogging /PD	
Single rim device B378E	Exit only. blank	
	Dogging. /D	
Double rebated door set (1x B376E, 1x B378E, and 1x DDS)..... B377E	Exit only. blank	
	Dogging. /D	
Single panic mortice latch B379E	Exit only. blank	
	Alarm switch /A	

Applications



376E Vertical Panic Bolt

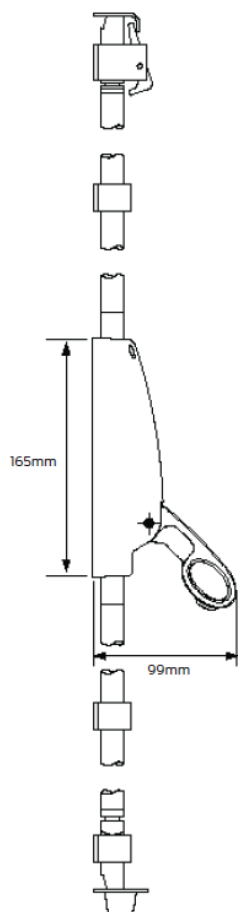


Features

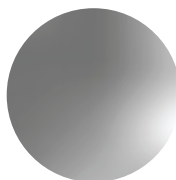
- Suitable for all types of single doors and can be used in conjunction with another 376E
- 379E double rebated or non-rebated door applications
- For double rebated door applications, the 377E double door set can be used
- Field sizeable to accommodate a range of door openings
- Two-point locking for extra security
- Anti-thrust device that prevents unauthorised retraction of the latch
- Non-handed — will suit both left and right handed doors
- Adjustable top shoots
- Supplied with an easy-clean floor socket

Specifications

Door type	Timber or metal
Stile width	78mm minimum with 13mm rebates 90mm minimum with 25mm rebates
Door width	665mm to 1300mm
Door height	2500mm standard Extra long top shoot available for door heights up to 3350mm
Material	Zinc die cast chassis Steel rods and crossbars



Finish

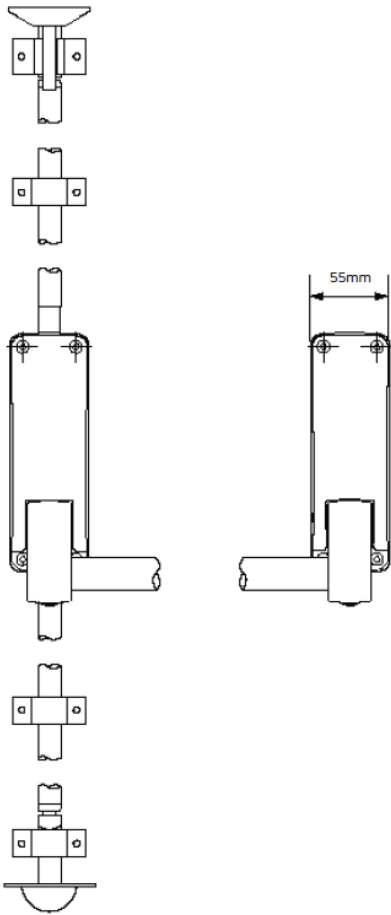


SE

Silver

377E Double Door Panic Bolt

376E

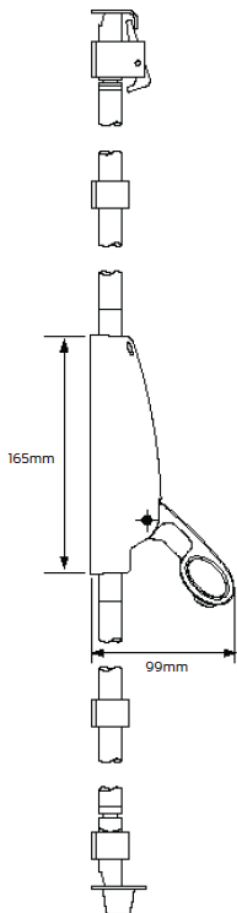


Features

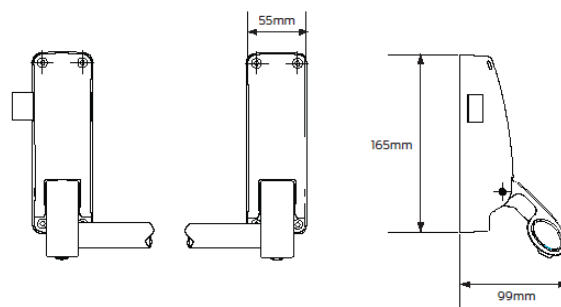
- Suitable for double door applications
- Consists of 376E, 378E, and 378DDS strike plate
- Dogging option is available for both 376 and 378 devices
- Field sizeable to accommodate a range of door openings
- 376E is non-handed — will suit both left and right hand doors
- 378E is handed but can be rehanded on site

Specifications

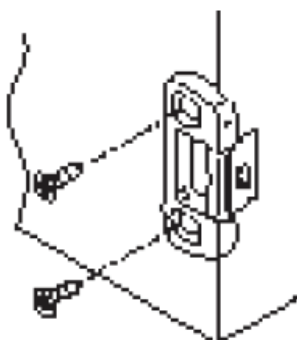
Door type	Timber or metal
Stile width	78mm minimum with 13mm rebates 90mm minimum with 25mm rebates
Door width	665mm to 1300mm
Door height	2500mm standard Extra long top shoot available for door heights up to 3350mm
Material	Zinc die cast chassis Steel rods and crossbars



378E



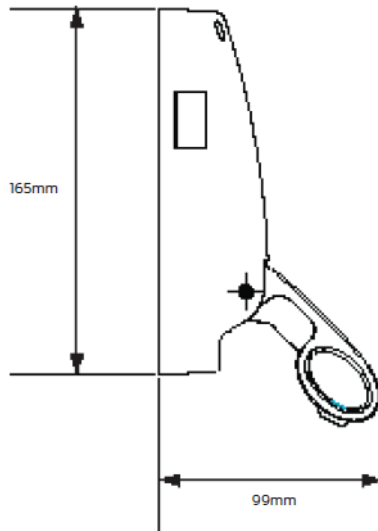
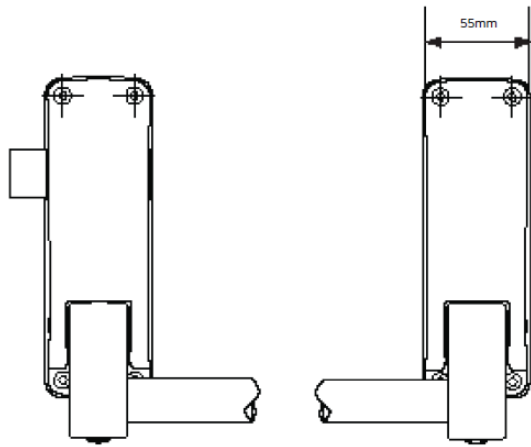
378DDS



378E Reversible Rim Panic Latch

Features

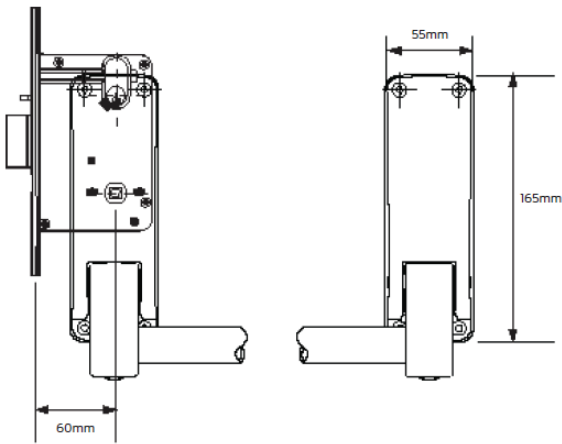
- Suitable for all types of single doors and the first opening leaf of double doors with rebated meeting stiles
- Supplied handed but can be reversed on site
- Optional model available with manual dogging (hold open)
- Can be used with a rim cylinder fitted to the outside of the door
- For double rebated door application, the 377E double door set should be used



Specifications

Door type	Timber or metal
Stile width	78mm minimum with 13mm rebates 90mm minimum with 25mm rebates
Door width	665mm to 1300mm
Material	Zinc die cast chassis Steel rids and crossbars

379E Mortice Panic Night Latch

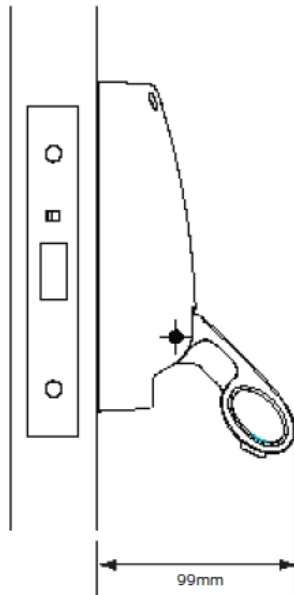


Features

- Designed to be used in conjunction with a Legge 990MF mortice lock (ordered separately)
- Suitable for all types of single doors
- Supplied right handed, but can be handed on site
- Suitable for use on the first opening leaf in double door applications
- Optional model available with manual dogging (hold open)
- 13mm rebate kits are available for double rebated door applications

Specifications

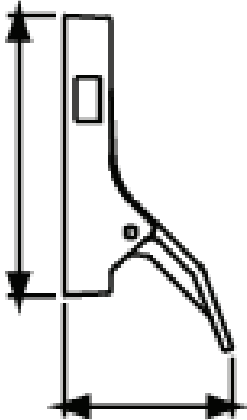
Door type	Timber or metal
Stile width	100mm minimum
Door width	665mm to 1300mm
Material	Zinc die cast chassis Steel rods and crossbars



1438E Reversible Push Pad Rim Latch

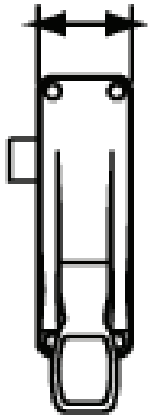
Features

- Pad operated rim latch
- Suitable for use on single doors and the first opening leaf of double rebated door applications
- Supplied handed, but can be reversed on site
- Double door strike available for double rebated door applications
- Can be used with a rim cylinder fitted to the outside of the door



Specifications

Door type	Timber or metal
Stile width	78mm minimum with 13mm rebates
Material	Zinc die cast chassis Zinc die cast paddle



372E Push Pad Vertical Bolt

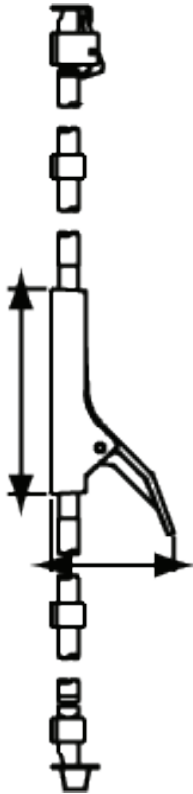


Features

- Pad operated vertical bolt
- Anti-thrust device, prevents unauthorised retraction of the latch
- Suitable for use on single and double non-rebated door applications
- Non-handed to suit left and right handed doors
- Adjustable top shoot
- Supplied with an easy clean floor socket
- Can be used with a rim cylinder fitted to the outside of the door

Specifications

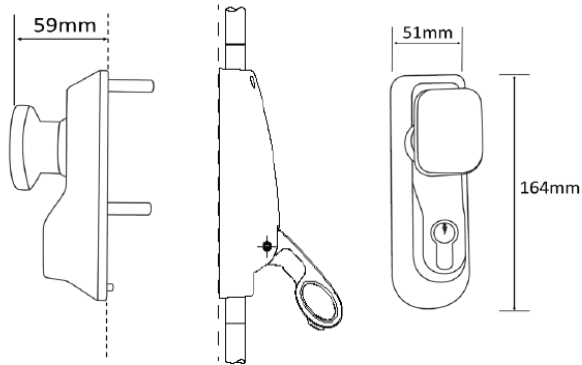
Door type	Timber or metal
Stile width	78mm minimum with 13mm rebates
Material	Zinc die cast chassis Zinc die cast paddle Steel rods
Door height	2500mm standard Extra long top shoot available for door heights up to 3350mm



Briton 1413 External Trim

Knob Version 1413KE

Ergonomic design providing improved grip in wet conditions. When key locked, knob rotates freely. Non-handed.



Features

- The external trim provides access from the outside when the door is locked
- When unlocked, the door can also be operated from the outside by using the knob or lever
- Designed to suit all exit devices within the Briton 376E Series (except B379)
- Products supplied complete with Euro profile cylinders
- Suitable for use on single doors and the first opening leaf of double rebated door applications
- Fixings supplied are suitable for both timber and metal door sets
- Not recommended for high use areas
- Anti-vandal design of the lever version includes a clutch mechanism that allows the lever to rotate when the unit is locked

Specifications

Door type	Timber or metal
Material	Zinc die cast chassis and lever

Lever Version 1413LE

Anti-vandal design includes a clutch mechanism which allows the lever to rotate when the unit is locked ensuring the mechanism is protected from vandalism.

