

HERADESIGN® Wood Wool Direct Mount Panels

Armstrong®
CEILING SOLUTIONS

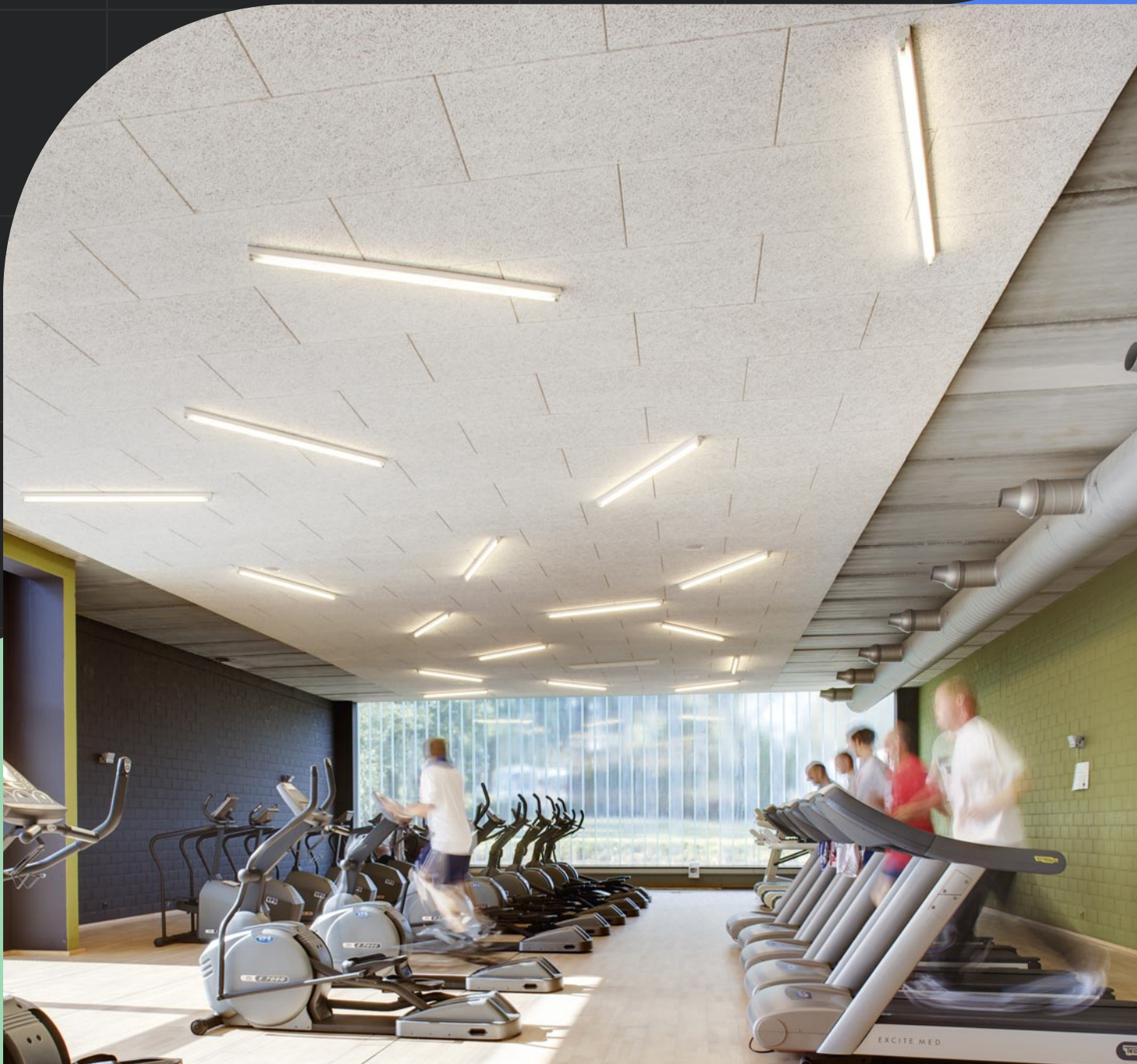
Benefits

- Available in two textures and a wide range of colors for flexible design
- Excellent sound absorption for a quieter, more comfortable space
- Durable and impact resistant#
- Sustainable natural ingredients for Green Star contribution
- RH90 humidity resistance with high dimensional accuracy
- Can be applied directly to surfaces such as concrete or plasterboard, or via timber battens or steel stud and track

Application Areas

- Open plan offices
- Restaurants and Hospitality
- Retail spaces
- Gymsnasiums, basketball courts and recreational spaces
- Education, including libraries and classrooms
- Auditoriums and multi-function facilities

HERADESIGN® WOOD WOOL



HERADESIGN® Wood Wool Direct Mount Panels



RH90
Humidity
Resistant



Scratch
Resistant



Product
Handling
Durability



Cleanable



Impact
Resistant#



Very Low
Emissions



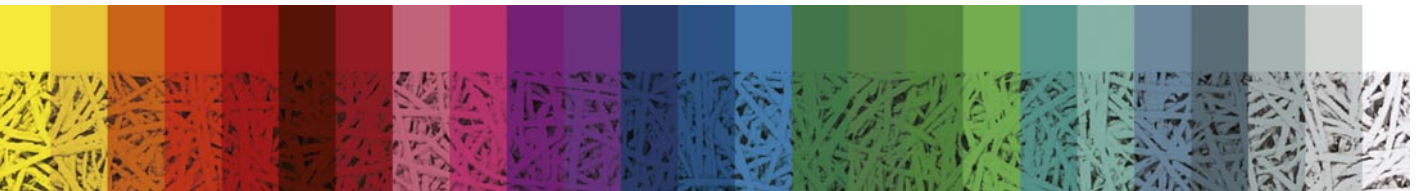
Acoustical
Comfort

Heradesign®

Panel Options		PANEL SIZE (mm) ACTUAL	BEVELED (AK-01) EDGE ON ALL SIDES 25MM THICK BOARD	BEVELED (AK-01) EDGE ON ALL SIDES 35MM THICK BOARD
Pattern – Superfine (Fibre width 1mm) Colour – Natural		600 x 600	HSAK01060625	HSAK01060635
		1200 x 600	HSAK01120625*	HSAK01120635
Pattern – Fine (Fibre width 2mm) Colour – Natural		600 x 600	HFAK01060625	HFAK01060635
		1200 x 600	HFAK01120625	HFAK01120635

- Notes:**
1. Special items and other sizes available upon request.
 2. For all items: Contact your local Armstrong Ceilings representative for stock availability.
 3. Maximum Panel Size is 2400 x 600mm
 4. # Refer to Installation Guide for Ball Impact construction for gymnasiums.
 5. * Stock Item

COLOUR OPTIONS



EN ISO 354 &
EN ISO 11654

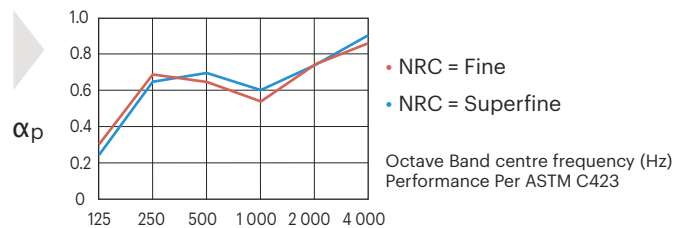
Pattern NRC 125 250 500 1000 2000 4000 Hz

Fine 0.70 0.30 0.70 0.65 0.55 0.75 0.85 α_p

Superfine 0.70 0.25 0.65 0.70 0.60 0.75 0.90 α_p

Notes:

1. The absorption values above are tested with E-200 mounting (Total construction height of 200mm from bottom of ceiling to under side of slab)
2. Tested sound absorption of up to NRC 1.00 with 40mm x 50kg/m³ acoustic infill and E-200 mounting
3. See page 3 for absorption values for various mounting types.
4. Contact your Armstrong office for further details, including test reports



Sag Resistance (RH90% at 5°C – 40°C)
Refer to website for additional information



Conforms with NCC Spec. C110 as tested to AS 5637.1:2015 – Group 1, and ISO 5660 – Group 1 – S



Thermal Insulation (R- Value)
0.25 m²K/W (25mm)
0.35 m²K/W (35mm)



Superfine: 12.6 kg/m² (25mm) 16.5 kg/m² (35mm)
Fine: 13.3 kg/m² (25mm) 17.5 kg/m² (35mm)

Material Magnesite bonded wood fibres Surface Finish Factory applied acrylic paint	Visual Consideration Colour and pattern variation is common across panels due to the natural characteristics of wood Backloading Recommendation Contact your local Armstrong Ceilings representative	Suspension Systems Timber Battens or Stud & Track Systems (supplied by others). Before ceiling construction starts, refer to Armstrong Heradesign Installation Guide
---------------------------------------------------------------------------------------------------------------	---------------------------------------------------------------------------------------------------------------------------------------------------------------------------------------------------------------------------------	----------------------------------------------------------------------------------------------------------------------------------------------------------------------------------------------

Green Star™: Potential contribution Interiors v1.3 / Design & As Built v1.3

Indoor Environmental Quality		Materials	
Credit 9 / 10 ACOUSTIC COMFORT	Credit 12 / 13 INDOOR POLLUTANTS	Credit 201 / 20.2 RESPONSIBLE BUILDING MATERIALS – Certified Timber	Credit 21-D / 21-D SUSTAINABLE PRODUCTS – Environmental Product Declarations
✓	✓	✓	✓

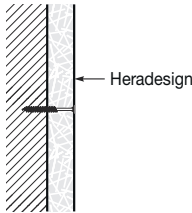
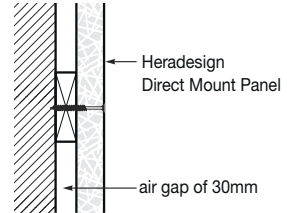
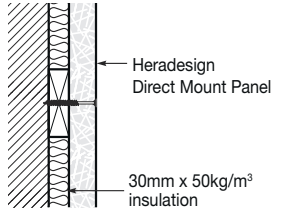
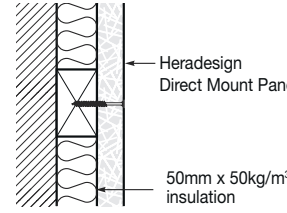




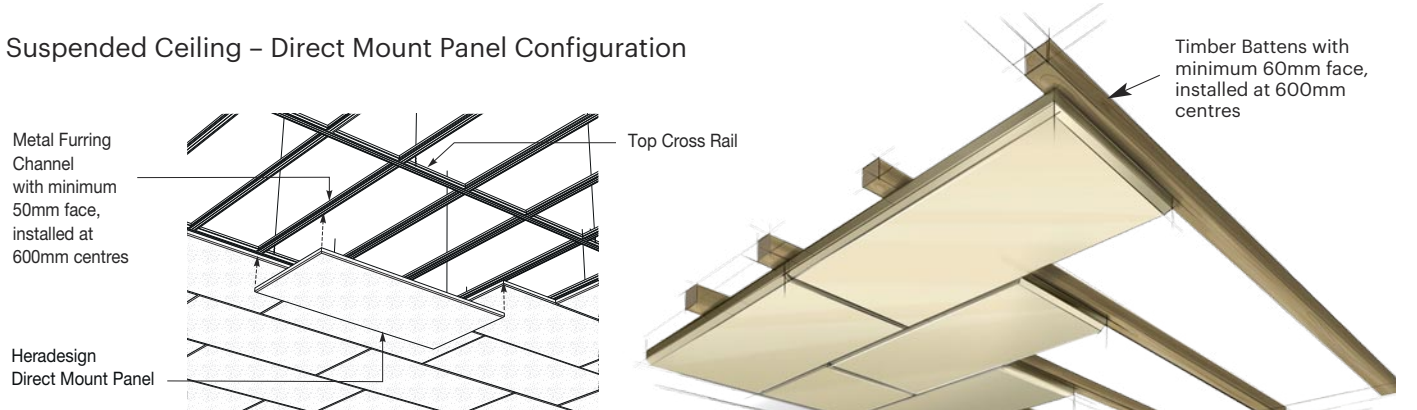
Construction Method

Wall and Ceiling – Direct Mounting Options and Acoustical Performance

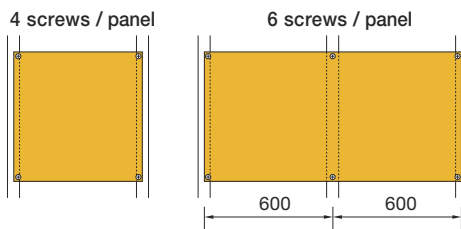
(Note: Values vary slightly based on finish: Fine or Superfine. Contact your Armstrong representative for details)

Mounting A	Mounting D	Mounting C	Mounting C
NRC 0.55 (25mm) NRC 0.65 (35mm)	NRC 0.50 (25mm) NRC 0.55 (35mm)	NRC 0.80 (25mm) NRC 0.85 (35mm)	NRC 0.95 (25mm) NRC 0.90 (35mm)
			
Installed Directly on a Wall or Ceiling Surface	Installed on Timber Batten or Furring Channel: 600mm O.C.	Installed on Timber Batten or Furring Channel: 600mm O.C.	Installed on Timber Batten or Furring Channel: 600mm O.C.

Suspended Ceiling – Direct Mount Panel Configuration



Standard Screw Pattern for Mounting Heradesign Acoustic Panels of 25mm or 35mm thickness



Refer to the Armstrong HERADESIGN® Installation Guide for further details, including screw fixing specification for ball impact applications / gymnasiums.

HERADESIGN® Wood Wool Direct Mount Ceiling and Wall Panels



Contact us

NSW/ACT

Armstrong Ceiling Solutions (Australia) Pty. Ltd.
75 Long Street, Smithfield, NSW, 2164
Telephone (02) 9748 1588

VIC/TAS

Armstrong Ceiling Solutions (Australia) Pty. Ltd.
Unit 1, 88 Henderson Road, Rowville VIC 3178
Telephone (03) 8706 4000

QLD / NT

Armstrong Ceiling Solutions (Australia) Pty. Ltd.
6 Barrinia Street, Slacks Creek QLD 4127
Telephone (07) 3809 5565

SA

Total Building Systems Pty. Ltd.
160 Grand Junction Road, Blair Athol SA 5084
Telephone (08) 7325 7555

WA

Ceiling Manufacturers of Australia Pty. Ltd.
3 Irvine Street, Bayswater WA 6053
Telephone (08) 9271 0777

New Zealand

Comfortech Building Performance Solutions®
27B Smales Road, East Tamaki, Auckland 2013
Telephone 64-9-276 4000

