



Elite Pull-Out Storage Systems

smart spaces smart wardrobes



Smart Spaces Smart Wardrobes



Häfele's latest offering to the marketplace is Elite Pull-Out Storage Systems, put together to enhance our already vast product selection by focusing on one of those often forgotten areas of the home, the wardrobe.

Elite Pull-Out Storage Systems will fulfill all your hardware requirements when designing around small and difficult areas of your home by offering savvy solutions to these common problems. This catalogue shows Häfele's strength as a hardware provider and offers you the total package for every corner of your interior building aspects.

Contents



Pull-Out Frames 2

Mounting Aids for
Pull-Out Frames 3

Fittings for Pull-Out Frames 4

Trousers Holders 5

Shatter Proof Trays 6

Laundry Hampers 7

Side Pull-Out Units 8 - 9

Pull-Out Accessories 10 - 11

Fitting Accessories 12

Dimensions in mm Dimensional data not binding. We reserve the right to alter specifications without notice.



www.hafele.com

- Online catalogues
- Online ordering - up to the minute pricing and stock availability
- New Product information
- Special offers and promotions
- Häfele news, events and services in your state



Elite Pull-Out Storage Systems

Pull-Out Frames

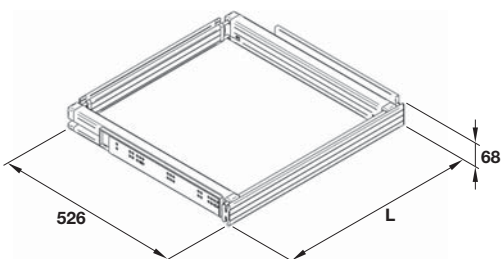
With Soft Close GRASS Runners and Chrome Detail



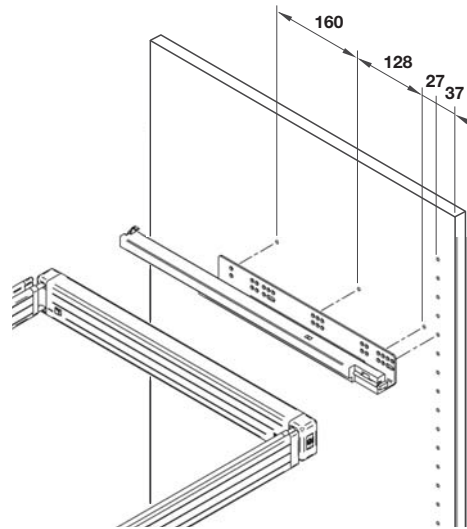
- Dimensions (D x H): 526 x 68 mm excluding accessories. Width determined below.
- Max. Weight Load per Frame: 40 kg
- Finish: White

Internal Cabinet Width Range (mm)	Useable Space for Accessories (mm)	Cat. No.
410 - 550	310 - 450	805.85.731
550 - 690	450 - 590	805.85.732
690 - 830	590 - 730	805.85.733
830 - 970	730 - 870	805.85.734
970 - 1100	870 - 1000	805.85.735

Frame Dimensions



Grass Soft Close Runner Installation



A **Note:** To help with selecting the correct individual components for use with the Soft Closing pull-out frames, the following information applies. The useable space for accessories is determined by the internal cabinet width - 100 mm (i.e. For a 900 mm overall cabinet with 16 mm sides your useable space for accessories is: $900 - 32 = 868 - 100 = 768$ mm)

Elite Pull-Out Storage Systems

Mounting Aids for Pull-Out Frames



Under Shelf Mounting Bracket for Pull-Out Frames

- Material: Steel
- Finish: White

	Cat. No.
	805.78.760

Packing: 1 piece



25 mm Spacer Blocks for Pull-Out Frames

- Material: ABS plastic
- Finish: White

	Cat. No.
	558.00.000

Packing: 1 piece



Elite Pull-Out Storage Systems

Fittings for Pull-Out Frames



Chrome Wire Baskets

Height (mm)	Depth (mm)	Width (mm)	Cat. No.
151	510	305	805.83.105
		410	805.83.101
		490	805.83.102
		730	805.83.103

Packing: 1 piece



Chrome Wire Shelves

Height (mm)	Depth (mm)	Width (mm)	Cat. No.
87	510	305	805.83.125
		410	805.83.121
		490	805.83.122
		730	805.83.123

Packing: 1 piece



Chrome Wire Shoe Racks

Height (mm)	Depth (mm)	Width (mm)	Cat. No.
200	510	390	805.84.101
		470	805.84.102

Packing: 1 piece



Epoxy Coated Steel Tray Baskets With Beech Inserts

- Finish: White epoxy coated

Height (mm)	Depth (mm)	Width (mm)	Cat. No.
86	505	305	805.83.750
148	505	305	805.83.760

Packing: 1 piece



Beech Insert For Ties, Belts and Accessories

Height (mm)	Depth (mm)	Width (mm)	Cat. No.
60	476	300	805.83.370

Packing: 1 piece

For Pull-Out
Frames
See Page 2



Elite Pull-Out Storage Systems

Trouser Holders



Chrome Wire Trouser Holder

Height (mm)	Depth (mm)	Width (mm)	Cat. No.
103	510	455	807.48.120

Packing: 1 piece



Beech Trouser Holder

Height (mm)	Depth (mm)	Width (mm)	Cat. No.
60	510	455	807.49.310

Packing: 1 piece



Beech Trouser Holder

Height (mm)	Depth (mm)	Width (mm)	Cat. No.
60	510	720	807.49.302

Packing: 1 piece

For Pull-Out
Frames
See Page 2





Elite Pull-Out Storage Systems

Shatter Proof Trays



Shatter Proof Plastic Trays

Height (mm)	Depth (mm)	Width (mm)	Cat. No.
85	508	240	805.83.481
		320	805.83.482
		400	805.83.483
		480	805.83.484

Packing: 1 piece



Shatter Proof Object Tray

Height (mm)	Depth (mm)	Width (mm)	Cat. No.
43	440 - 520	98	807.49.390

Packing: 1 piece



Quilted Cotton Basket Liners

For use with Wire and Plastic Baskets and Trays

Height (mm)	Depth (mm)	Width (mm)	Cat. No.
5	465	240	805.83.491
		320	805.83.492
		400	805.83.493
		480	805.83.494

Packing: 1 piece

For Pull-Out
Frames
See Page 2



Elite Pull-Out Storage Systems

Laundry Hampers



Steel Frame
With Removable Linen Bag

Height (mm)	Depth (mm)	Width (mm)	Cat. No.
430	505	460	805.82.120

Packing: 1 piece



Beech Frame
With Removable Linen Bag

Height (mm)	Depth (mm)	Width (mm)	Cat. No.
445	510	455	805.82.310

Packing: 1 piece

For Pull-Out
Frames
See Page 2





Elite Pull-Out Storage Systems

Side Pull-Out Units



Side Mounted Two Tier Pull-Out
With Soft-Close GRASS Runners

- Dimensions (W x D x H): 291 x 521 x 580 mm
- Load Capacity: 40 kg
- Finish: White epoxy coated
Shelves: Chrome wire

Fixing	Cat. No.
Right handed	805.81.060
Left handed	805.81.061

Packing: 1 piece



Side Mounted Three Tier Pull-Out
With Soft-Close GRASS Runners

- Dimensions (W x D x H): 291 x 521 x 772 mm
- Load Capacity: 40 kg
- Finish: White epoxy coated
Shelves: Chrome wire

Fixing	Cat. No.
Right handed	805.81.062
Left handed	805.81.063

Packing: 1 piece

Mounting Aids
See Page 3 & 12



HÄFELE

Elite Pull-Out Storage Systems

Side Pull-Out Units



Side Mounted Two Tier Pull-Out
With Soft-Close GRASS Runners

- Version: With angled shelves for footwear
- Dimensions (W x D x H): 291 x 521 x 580 mm
- Load Capacity: 40 kg
- Finish: White epoxy coated
Shelves: Chrome wire

Fixing	Cat. No.
Right handed	805.81.070
Left handed	805.81.071

Packing: 1 piece



Side Mounted Three Tier Pull-Out
With Soft-Close GRASS Runners

- Version: With angled shelves for footwear
- Dimensions (W x D x H): 291 x 521 x 772 mm
- Load Capacity: 40 kg
- Finish: White epoxy coated
Shelves: chrome wire

Fixing	Cat. No.
Right handed	805.81.072
Left handed	805.81.073

Packing: 1 piece

Mounting Aids
See Page 3 & 12





Elite Pull-Out Storage Systems

Pull-Out Accessories



Pull-Out Trouser Rack

- Fixing: Left or right handed
- Mounting: Side
With single extension ball bearing slide
- Dimensions (W x D x H): 257 x 526 x 290 mm
- Load Capacity: 10 kg
- Finish: White epoxy coated with chrome wire

	Cat. No.
	807.47.020

Packing: 1 piece

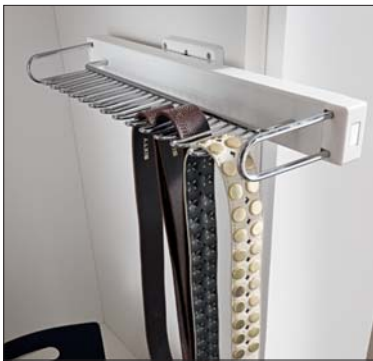


Pull-Out Clothes Hanger

- Fixing: Left or right handed
- Mounting: Top
With single extension ball bearing slide
- Dimensions (W x D x H): 84 x 526 x 163 mm
- Load Capacity: 5 kg
- Finish: White epoxy coated with chrome wire

	Cat. No.
	807.45.030

Packing: 1 piece



Pull-Out Belt Rack / Tie Rack

- Fixing: Left or right handed
- Mounting: Side
With single extension ball bearing slide
- Dimensions (W x D x H): 163 x 526 x 84 mm
- Load Capacity: 5 kg
- Finish: White epoxy coated with chrome wire

	Cat. No.
	807.46.030

Packing: 1 piece



Pull-Out Pivoting Suit Rack

- Fixing: Left or right handed
- Mounting: Side mounted on pivoting hinges
With single extension ball bearing slide
- Dimensions (W x D x H): 215 x 536 x 373 mm
- Load Capacity: 20 kg
- Finish: White epoxy coated with chrome wire

	Cat. No.
	805.79.030

Packing: 1 piece

Note:
Actual colour of Suit Rack differs from the images shown.

Mounting Aids
See Page 3 & 12



Elite Pull-Out Storage Systems

Pull-Out Accessories



Pull-Out Pivoting Mirror

- Fixing: Via pivoting hinge
- Mounting: Side, left or right handed
- Version: With single extension ball bearing slide
- Dimensions (W x D x H): 135 x 536 x 949 mm
- Finish: White epoxy coated with chrome wire

	Cat. No.
	805.79.780

Packing: 1 piece



Multi Purpose Tray

- Fixing: For fixing to the bottom of the mirror as shown above
- Version: With single extension ball bearing slide
- Dimensions (W x D x H): Overall mirror size fitted with tray: 242 x 536 x 949 mm
- Finish: White epoxy coated with chrome wire

	Cat. No.
	805.79.770

Packing: 1 piece

Mounting Aids
See Page 3 & 12





Elite Pull-Out Storage Systems

Fitting Accessories



Pivoting Hinge
For Pull-Out Pivoting Accessories

- Dimensions (W x D x H): 31 x 153 x 84 mm
- Material: Powder coated steel
- Finish: White

	Cat. No.
	805.78.723

Packing: 1 piece



ABS Spacer
For Pull-Out Accessories

- Dimensions (W x D x H): 13 x 120 x 84 mm
- Material: ABS plastic
- Finish: White

	Cat. No.
	805.78.750

Packing: 1 piece



ABS Spacer
For Pull-Out Accessories and Pivot Hinge

- Dimensions (W x D x H): 32 x 142 x 84 mm
- Material: ABS plastic
- Finish: White

	Cat. No.
	805.78.751

Packing: 1 piece



25 mm Spacer Blocks
For Pull-Out Frames

- Material: ABS plastic
- Finish: White

	Cat. No.
	805.78.740

Packing: 1 piece



Under Shelf Mounting Bracket
For Pull-Out Frames

- Material: Steel
- Finish: White

	Cat. No.
	805.78.760

Packing: 1 piece

Pull-Out
Accessories
Page 8 & 11



Silent Aluflex 80 - Sliding Door Systems



Wardrobe sliding doors open up new perspectives for all people who appreciate order and organisation just as much as their clothes and shoes.

A Silent Aluflex 80 sliding door system combined with an Elite Pull-Out Storage System will not only complete the wardrobe but let you experience the enjoyment of choosing and trying on clothes in the convenience of your own change room.



HÄFELE AUSTRALIA PTY LTD.

Design Centres

Melbourne Design Centre

T: (03) 9212 2000
F: (03) 9652 3701
E: info@hafele.com.au

Sydney Design Centre

T: (02) 8788 2200
F: (02) 8302 2101
E: nsw@hafele.com.au

Perth Design Centre

T: (08) 9249 3833
F: (08) 9215 6101
E: wa@hafele.com.au

Hobart Design Centre

T: (03) 6331 7106
F: (03) 6334 6414
E: tas@hafele.com.au

State Offices

Victoria (Head Office)

T: (03) 9212 2000
F: (03) 9212 2001
E: info@hafele.com.au

New South Wales

T: (02) 8788 2200
F: (02) 8788 2201
E: nsw@hafele.com.au

A.C.T. & Southern NSW

T: (02) 6202 2800
F: (02) 6228 1418
E: act@hafele.com.au

Northern New South Wales

T: (02) 8788 2200
F: (02) 4921 0901
E: nsw@hafele.com.au

Queensland

T: (07) 3307 8900
F: (07) 3307 8901
E: qld@hafele.com.au

South Australia

T: (08) 8232 9933
F: (08) 8232 9977
E: sa@hafele.com.au

Western Australia / N.T.

T: (08) 9249 3833
F: (08) 9249 3328
E: wa@hafele.com.au

Tasmania

T: (03) 6331 7106
F: (03) 6334 6414
E: tas@hafele.com.au

HÄFELE NEW ZEALAND LTD.

Offices and Design Centres

Auckland Design Centre

T: (09) 274 2530
F: (09) 274 2531
E: architectural@hafele.co.nz

Eastern Design Centre

T: (09) 274 2040
F: (09) 274 2041
E: info@hafele.co.nz

Wellington Design Centre

T: (04) 472 0294
F: (04) 472 0295
E: wellington@hafele.co.nz

Christchurch Design Centre

T: (03) 343 8200
F: (03) 343 8201
E: christchurch@hafele.co.nz

www.hafele.com