

*Evoron*

A Quality Elevator by Garaventa



**P.R.KING & SONS** PTY LTD

FAMILY OWNED SINCE 1922

1300 859 267

[www.prking.com.au](http://www.prking.com.au)

elvoron

## THE ELVORON HR HYDRAULIC RESIDENTIAL ELEVATOR

Once considered a luxury, residential elevators are now in common use in both newly constructed and renovated homes. Safe, reliable, stylish and easy to use, an Elvoron HR elevator can greatly enhance the livability of all levels of your home now and in the future. A residential elevator significantly increases the value of your home.

The Elvoron HR has a long list of standard features and a myriad of options ensuring an ideal design for your specific application. Available in a wide variety of colours and finishes, ranging from contemporary materials to the classic warmth of wood cabinetry, an Elvoron is sure to compliment your home decor while providing many years of dependable service.

## WHY A RESIDENTIAL ELEVATOR?

### Benefits

- Comfortable access to all levels of your home
- No need to move in the future
- Add uniqueness and value to your home
- Good return on access solution investment
- A safer way to travel - use the elevator rather than stairs to carry heavy or awkward loads
- Reduce construction costs by building vertically

### Applications

- Both new construction and renovation
- Detached single family homes
- Single and multiple townhouse projects
- Two storey penthouse suites
- Highlight feature in spec homes



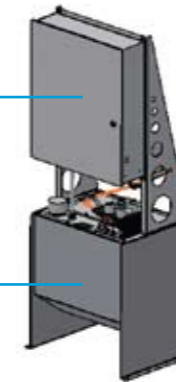
## THE ELVORON HR SIMPLY A BETTER MACHINE

ELVORON IS EASY TO USE. ITS CONTROLS INCLUDE ILLUMINATED PUSH BUTTON OPERATION, AUTOMATIC CAR LIGHTING AND A DIGITAL POSITION INDICATOR.

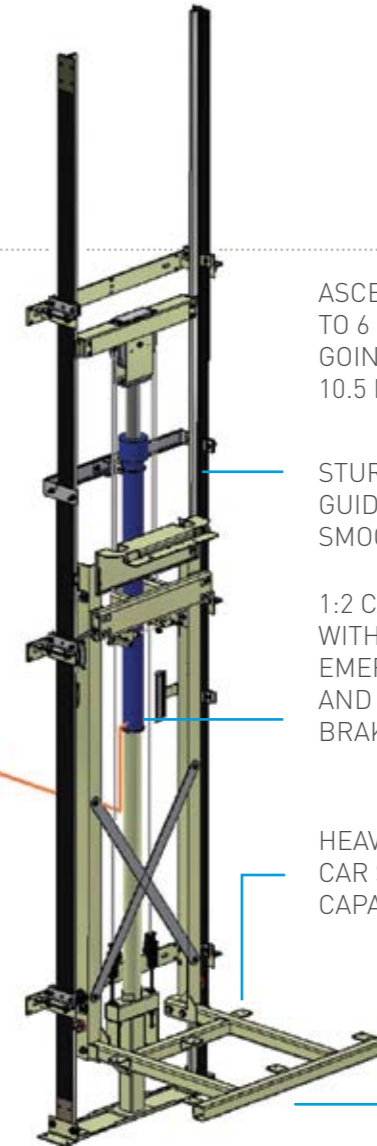


TWO-SPEED HYDRAULIC CONTROL VALVE PROVIDES SMOOTH, COMFORTABLE STARTING AND STOPPING.

COMPUTERISED CONTROLLER HAS AN EMERGENCY BACKUP POWER SYSTEM FOR LOWERING IN THE EVENT OF POWER FAILURE.



SUBMERSED HYDRAULIC PUMP AND MOTOR ENSURES QUIET OPERATION.



ASCEND UP TO 12 M AND MAKE UP TO 6 STOPS. GET WHERE YOU'RE GOING WITH A TRAVEL SPEED OF 10.5 M PER MINUTE.

STURDY 10.8 KG PER METRE ELEVATOR GUIDE RAIL SYSTEM ENSURES A SMOOTH, QUIET RIDE.

1:2 CABLE HYDRAULIC DRIVE WITH AUTOMATIC LEVELING, EMERGENCY MANUAL LOWERING AND INSTANTANEOUS SAFETY BRAKE SYSTEM.

HEAVY DUTY CANTILEVERED CAR SUPPORT SLING PROVIDES CAPACITY OF UP TO 455 KG.

RECOMMENDED PIT DEPTH IS 203 MM. SHALLOWER DEPTHS ARE FEASIBLE.

elvoron

## WHY ELVORON? WHY GARAVENTA LIFT?

The Elvoron HR represents the state of the art in residential elevators in terms of design, technology, safety features and interior styling. We offer the Elvoron in both standard and highly customised configurations. Garaventa Lift is a leading global manufacturer of accessibility lifts and elevators, with factories on three continents and a worldwide network of trained dealers. During the past 30 years Garaventa has designed and built more than 50,000 lifts and elevators. Our team has the skill and experience to handle your project!

## ELVORON HR SAFETY FEATURES

The safety of your family members is as important to us as it is to you. We offer many safety features as standard equipment on all Elvorons.

- Emergency backup power system
- Emergency manual lowering
- Safety brake system
- Interlocks to supervise and lock doors
- Final limit switch at top of rail system
- Emergency stop and alarm
- Low oil level protection circuit
- Solid car accordion gate
- Gate position safety switch
- Automatic bi-directional floor leveling
- UL or CSA certified components
- Car emergency telephone (optional)

# THE ELVORON HR DESIGN IT YOUR WAY

## 1. Ceiling

The ceiling is available in white melamine or in wood paneling styled to match the car walls. The ceiling is fitted with four low voltage recessed halogen lights. These are also used for emergency lighting.

## 2. Finishes

Choose from a wide variety of melamine and wood factory finishes, including recessed and raised paneling. Or choose an unfinished car and have the interior custom built on site by a local cabinet maker.

## 3. Car Sizes

The car is available in three standard sizes. It is also available in custom sizes up to 1.6M<sup>2</sup>. The car is available in two standard heights as well as custom heights.

## 4. Handrails

Handrails provide safety and styling. All Elvoron cars are equipped with one handrail. Additional handrails can be provided. Available in brushed stainless steel, brass, antique brass and custom wood finishes.

## 5. Flooring

The Elvoron HR is built with extra capacity to allow installation of ceramic tile, laminated or hardwood flooring to match your home decor. Due to the variety of colours and materials available, flooring will be supplied locally by others.



## 6. Accordion Gate

Designed for passenger safety, the accordion gate must be closed before the elevator can travel. Available in many colours and finishes. Manual operation is standard. An optional power operator is available.

## 7. Car Operating Panel

The car operating panel includes floor selection buttons, a digital floor display, emergency stop switch and an optional integrated telephone. Available in brushed stainless steel, brass and antique brass finishes.

## GREEN THINKING

Did you know that the Elvoron HR can be operated using environmentally friendly biodegradable hydraulic oil?

## WALL & CEILING FINISHES

*Elvoron*

Your elevator will become a key feature of your home. Interior design and finish are an important consideration. We offer you a couple of approaches. You can have our cabinet makers build you a beautiful interior from a variety of materials, finishes and panel styles, or you can have your own builder or cabinet maker finish the elevator to match your home cabinetry. In this case you simply order an unfinished car.

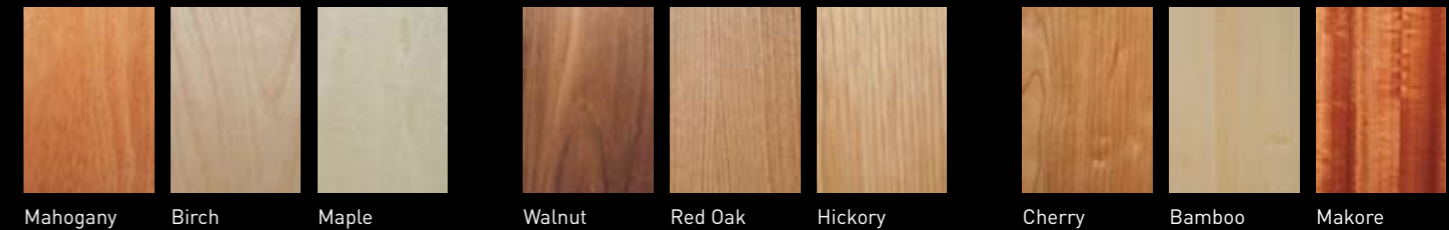
### Durable Melamine Selection

Economical, tough and easy to clean. Offered in a choice of 8 standard colours.



### Wood Veneer Selection

Offered in 9 wood species, unfinished or with clear coat satin finish.



### Custom Car Designs

Should you have something more unique in mind, Garaventa will design and build you the elevator car of your dreams.

- Walls and ceilings made of exotic wood species.
- Intricate cabinetry detailing - just show us what you want.
- Add a mirror to create a larger interior feeling.
- Think modern - use a contemporary panel style and colour.
- Glass elevator cars - see and be seen.
- Custom controls, railings and fixtures.

## FINE CRAFTSMANSHIP

Enhance the appearance of your wall and ceiling wood selection with recessed or raised panel detailing. Available in maple, red oak and cherry, as well as other hand crafted wood species on a custom basis.

Due to the nature of the printing process, colours shown in the brochure may not be an accurate representation of the actual product

# ELVORON CAR FIXTURES - ELEGANCE, FORM AND FUNCTION

Compliment your elevator car interior design with just the right accent. Our fixture designs are functional, with clean, modern styling. Choose from three standard metal finishes or have your fixtures custom coloured or painted. You can choose one fixture colour to match the interior car style, and another for the hall stations, should another colour be more suitable for your hallway or room décor. All electrical fixtures are UL or CSA certified.

## Car Operating Panel

The simple and elegant Elvoron operating panel is available in brushed stainless steel, brass or antique brass finishes. It includes a digital floor display, floor selection buttons and emergency stop button. Floor selection buttons can be fitted with numbers or letters.

## Integrated Emergency Telephone

Ensure passenger safety and security with an integrated telephone that allows two-way voice communication in the event of an emergency. A traditional emergency telephone, located in a separate recessed metal box, is also available. The box cover matches the operating panel.



Brushed stainless steel shown

## Decorative Halogen Ceiling Lighting

All Elvoron cars are equipped with 4 recessed low-voltage halogen light fixtures. They illuminate automatically when the car gate is opened. An emergency backup power system will keep them illuminated in the event of a power failure. Available in white or black. Other finishes, such as silver, are available on a custom basis.



White

Black

Silver (custom)

## Handrail Choices

All Elvoron cars are equipped with one handrail on the control wall. They are available in three standard finishes or can be customised. Additional handrails can be mounted on the other car walls for extra passenger security.



Antique Brass

Brass

Brushed  
Stainless Steel

Wood Finish  
(custom)



## Hall Stations

Elvoron hall station buttons illuminate when pushed. The push button itself is always made of stainless steel for maximum durability. Wall plates are available in our three standard finishes or can be custom coloured.



Antique Brass

Brass

Brushed  
Stainless Steel



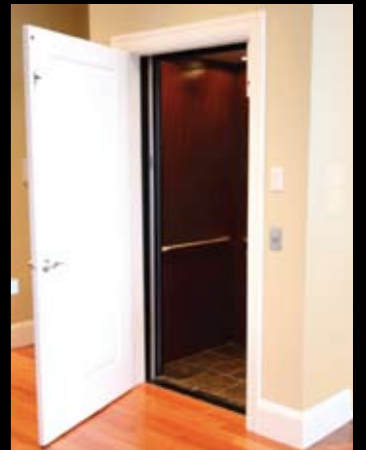
## Security Key Control

For increased safety and security, an optional key switch allows the entire elevator to be deactivated. Key switches can also be custom designed to deactivate only certain hall stations or to control access to certain floors.

## Matching Doors

The Elvoron HR uses residential swing doors selected to match the doors in your home. These are supplied by others. During the installation of your elevator the doors are fitted with special interlocks that allow them to open only when the elevator car is at the same landing.

The doors can be equipped with an optional automatic door operator.



## Accordion Gates

All cars are equipped with solid accordion gates. The gates are electrically supervised to prevent the elevator from operating unless the gate is closed. The standard accordion gate is manually opened and closed by the passenger. It can be equipped with an optional power gate operator. Available in wood and acrylic panels. Acrylic panels are framed in brass, antique brass or silver finishes.



Silver accordion gate frame  
with clear acrylic panels



# ELVORON CAR FIXTURES - ELEGANCE, FORM AND FUNCTION

The Elvoron HR is a sophisticated hydraulic elevating system designed specifically for use in private residences. The system fits within a vertical elevator hoistway connecting the floors to be serviced. A small area outside the hoistway is required to accommodate the controller and pump unit. This area can be adjacent to the hoistway or in a remote location. The elevator stops level with the bottom floor, thus a small pit is required. The recommended pit depth is 200mm although shallower pit depths are feasible. At the upper landing, an overhead clearance of 2438mm from the upper floor level is required for our standard car height of 2134mm.

## Technical Information

### Car Sizes:

914mm x 1219mm  
914mm x 1372mm  
914mm x 1524mm  
1100mm x 1400mm car available to comply with B.C.A. E3.6  
Custom sizes available

### Rated Load:

340 kg Optional: 455 kg

### Speed:

10.5 metres/min nominal speed

### Travel Range:

Up to 12 metres

### Stops:

Up to 6 stops

### Controls:

Fully automatic push button operation  
Computerised controls  
Digital floor indicator in car  
Automatic car lighting upon entry  
Illuminated push buttons

### Safety Features:

Emergency backup power system  
Emergency manual lowering  
Safety brake system  
Hall door interlocks, gate safety switch  
Automatic bi-directional floor leveling  
Emergency stop and alarm  
Solid accordion gate in car

### Drive System:

Cable Hydraulic Drive  
Quiet submersed pump and motor  
Two-speed valve for smooth start and stop

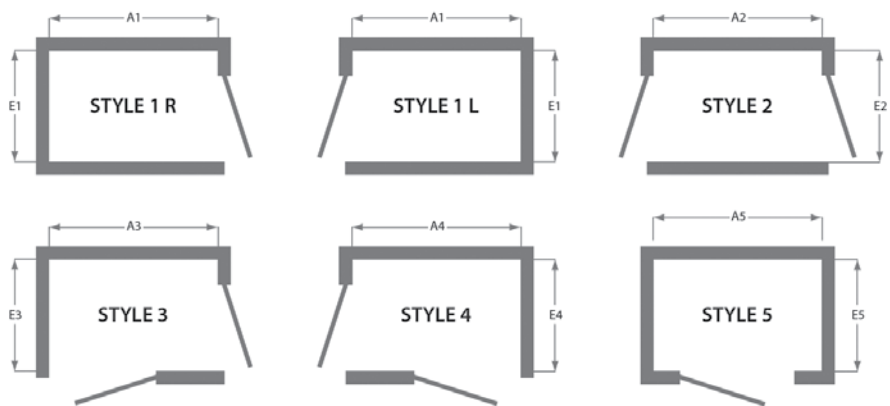
### Power Requirements:

240V single phase or 415V 3 phase

### Popular Options:

Keyed hall stations (prevent use by children)  
Emergency telephone - integrated  
Additional handrails  
Automatic car gate operator  
Automatic hall door operator

## Entry / Exit Configurations



## Clear Inside Hoistway Dimensions (custom sizes available)

Car Size	A1	E1	A2	E2	A3	E3	A4	E4	A5	E5
914 x 1219	1429	1270	1391	1270	1429	1368	1429	1368	1378	1368
914 x 1372	1581	1270	1543	1270	1581	1368	1581	1368	1530	1368
914 x 1524	1734	1270	1695	1270	1734	1368	1734	1368	1683	1368
1100 x 1400	1661	1456	1744	1456	1723	1554	1723	1554	1559	1554

## Car Finishes to Compliment Your Home Décor

- + Melamine panels - choice of 8 colours
- + Wood veneer panels - choice of 9 wood types
- + Recessed or raised panel cabinetry
- + Matching ceiling in melamine or wood
- + Recessed halogen ceiling lights - choice of black or white
- + Car fixtures in brushed stainless steel, brass or antique brass
- + Accordion gates in wood or acrylic vertical panels
- + Custom cars in other materials including glass and steel
- + Unfinished cars available - install matching cabinetry locally



# P.R.KING & SONS

FAMILY OWNED SINCE 1922

Authorized Garaventa Lift Representative

[www.prking.com.au](http://www.prking.com.au)

### NEW SOUTH WALES OFFICE

Phone: 02 9560 7344  
Fax: 02 9568 3886  
Email: [inclinators@prking.com.au](mailto:inclinators@prking.com.au)

155 Victoria Road  
Marrickville NSW 2204

### VICTORIA OFFICE

Phone: 03 9748 3488  
Fax: 03 9748 3597  
Email: [sales@prking.com.au](mailto:sales@prking.com.au)

1/11 Motto Crt  
Hoppers Crossing VIC 3029

### QUEENSLAND OFFICE

Phone: 07 5529 0573  
Fax: 07 5537 6441  
Email: [qld@prking.com.au](mailto:qld@prking.com.au)

PO Box 871  
Biggera Waters QLD 4216