

'INOX' STAINLESS STEEL SELF CLOSING TAP



RBA1083 'INOX' Stainless Steel Self Closing Tap

Special Features

- Clean Hygienic Design
- Water Saving
- Vandal Resistant
- Easy to Operate
- Low Maintenance
- Easy to Install

Description

Self-closing angled tap is designed for multiple applications [offices, schools, shopping centres, stadiums, airports, public washrooms, etc]. Cast from heavy duty Stainless Steel, then polished to a Bright or Satin finish. Single connection, valve will deliver cold or pre mixed water, single temperature only.

Hydraulic Requirements at Each Tap

Inlet:	½" BSP (G½")
Operating pressure:	200 – 500 kPa
Flow Time:	7 seconds nominal
Maximum Temp.:	40°C
Flow Rate:	1.7/5L/8L per minute

Construction

Solid stainless steel construction with polished or satin finish.

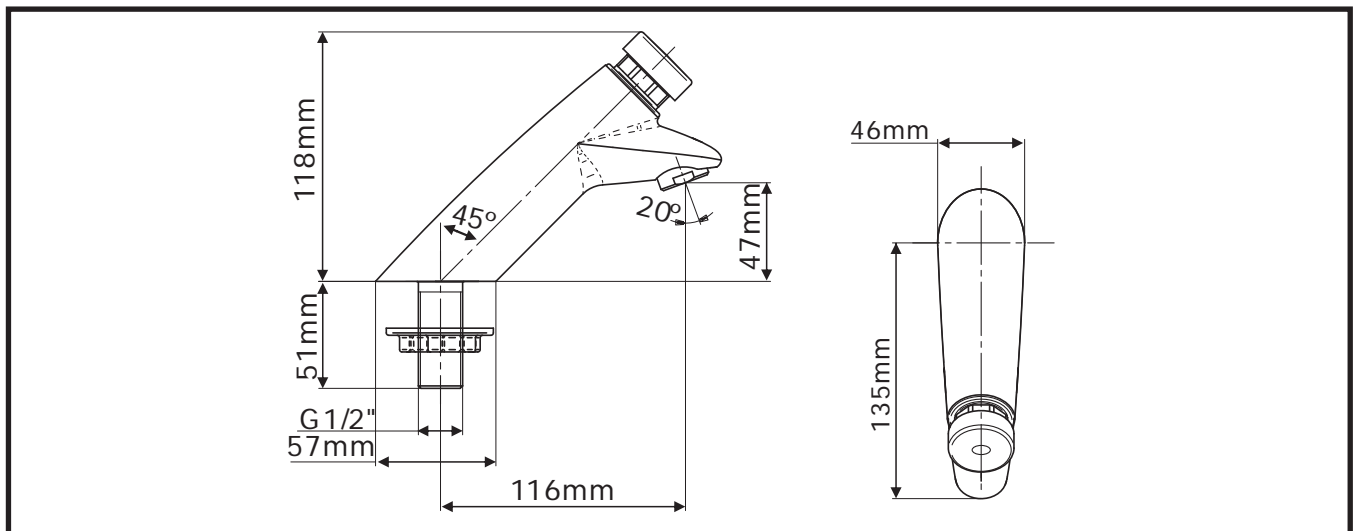
Operation

Tap is activated by pushing the button, flow will cease when preset time is achieved.

Available Models

RBA1083-400	4 Star [8.0Lpm] Stainless Steel Self Closing Push Tap - Polished
RBA1083-407	4 Star [8.0Lpm] Stainless Steel Self Closing Push Tap - Satin
RBA1083-600	6 Star [5.0Lpm] Stainless Steel Self Closing Push Tap - Polished
RBA1083-607	6 Star [5.0Lpm] Stainless Steel Self Closing Push Tap - Satin
RBA1083-650	6 Star [1.7Lpm] Stainless Steel Self Closing Push Tap - Polished
RBA1083-657	6 Star [1.7Lpm] Stainless Steel Self Closing Push Tap - Satin

Important: Installation instructions and current rough-in details should be furnished with each fixture. Do not rough in without certified dimensions. Dimensions are subject to manufacturer's tolerance of +/-10mm.



As improvements in the design and performance of RBA products are continuous, specifications may be subject to change without notice. The illustrations and descriptions herein are applicable to production as of the date of this Technical Data Sheet. Revised 01/12 Printed in Australia
 © 2011 by RBA Group TD/Model RBA1083/0112

'BENEFIT' SELF CLOSING TAP



RBA1010 'BENEFIT' SELF CLOSING TAP

Special Features

- Self Cleaning Mechanism
- Water Saving
- Easy to Operate
- Low Maintenance
- Easy to Install

Description

Self-closing upright pillar tap is designed for multiple Accessible applications [offices, etc]. Cast from DZR brass, then chrome plated to a polished finish single connection, valve will deliver cold or pre mixed water, single temperature only.

Unique looped handle is designed to avoid the need for grasping to activate. Also eliminates potential for eye injury in the case of an accidental fall.

Designers Note:

1. Requires only 5N to operate at 400kPa.
2. Not suitable for vandal-prone areas. For vandal resistance, use RBA1015 Series.
3. RBA product is disabled compliant if it is installed on an appropriate basin (eg. Basin RBA8889 Series) and meets the requirements stipulated in the AS1428.1-2009.

Hydraulic Requirements at Each Tap

Inlet: ½" BSP (G½")
 Operating pressure: 200 – 500 kPa
 Flow Time: 7 seconds nominal
 Maximum Temp.: 55° C
 Flow Rate: 5.5L/8L per minute
 Warranty: 2 Years from purchase

Construction

DZR brass construction with polished chrome finish.

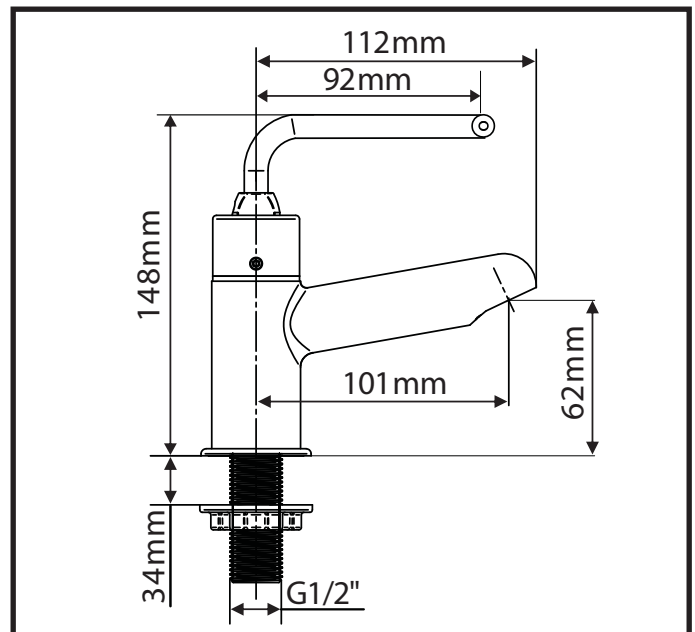
Operation

Tap is activated by depressing the lever, flow will cease when preset time is achieved.

Available Models

- RBA1010-600** 6 Star Self Closing Push Tap - Polished
RBA1010-400 4 Star Self Closing Push Tap - Polished

Important: Installation instructions and current rough-in details should be furnished with each fixture. Do not rough in without certified dimensions. Dimensions are subject to manufacturer's tolerance of +/-10mm.





'ALPHA' SELF CLOSING TAP



RBA1043 'ALPHA' Self Closing Tap

Special Features

- Self Cleaning Mechanism
- Water Saving
- Vandal Resistant
- Easy to Operate
- Low Maintenance
- Easy to Install

Description

Self-closing upright tap is designed for multiple applications [offices, schools, shopping centres, stadiums, airports, public washrooms, etc]. Cast from heavy duty DZR brass, then chrome plated to a polished finish single connection, valve will deliver cold or pre mixed water, single temperature only.

Hydraulic Requirements at Each Tap

Inlet: 1/2" BSP (G1/2")
 Operating pressure: 200 – 500 kPa
 Flow Time: 7 seconds nominal
 Maximum Temp.: 55° C
 Flow Rate: 5.5L/8L per minute
 Warranty: 2 Years from purchase

Construction

Heavy Duty DZR brass construction with polished chrome finish.

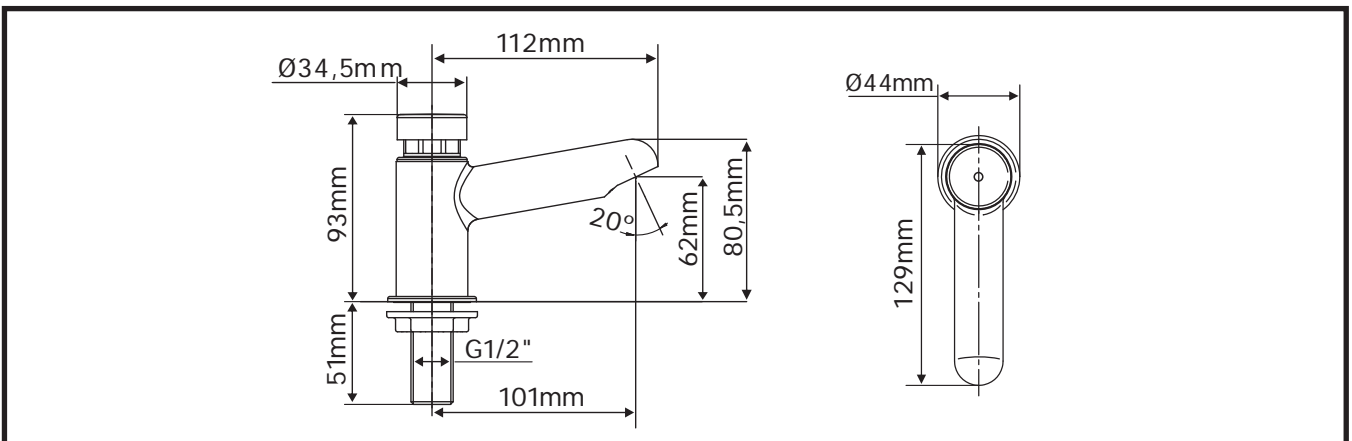
Operation

Tap is activated by pushing the button, flow will cease when preset time is achieved.

Available Models

- RBA1043-600 6 Star Self Closing Push Tap - Polished
- RBA1043-400 4 Star Self Closing Push Tap - Polished

Important: Installation instructions and current rough-in details should be furnished with each fixture. Do not rough in without certified dimensions. Dimensions are subject to manufacturer's tolerance of +/-10mm.



As improvements in the design and performance of RBA products are continuous, specifications may be subject to change without notice. The illustrations and descriptions herein are applicable to production as of the date of this Technical Data Sheet. Revised 01/12 Printed in Australia © 2011 by RBA Group TD/Model RBA1043/0112



'RIO' SELF CLOSING TAP



RBA1044 'RIO' Self Closing Tap

Special Features

- Self Cleaning Mechanism
- Water Saving
- Vandal Resistant
- Easy to Operate
- Low Maintenance
- Easy to Install

Description

Self-closing angled pillar tap is designed for multiple applications [offices, schools, shopping centres, stadiums, airports, public washrooms, etc]. Cast from heavy duty DZR brass, then chrome plated to a polished finish. Single connection, valve will deliver cold or pre mixed water, single temperature only.

Hydraulic Requirements at Each Tap

Inlet: 1/2" BSP (G1/2")
 Operating pressure: 200 – 500 kPa
 Flow Time: 7 seconds nominal
 Maximum Temp.: 55° C
 Flow Rate: 4.5L/8L per minute
 Warranty: 2 Years from purchase

Construction

Heavy Duty DZR brass construction with polished chrome finish.

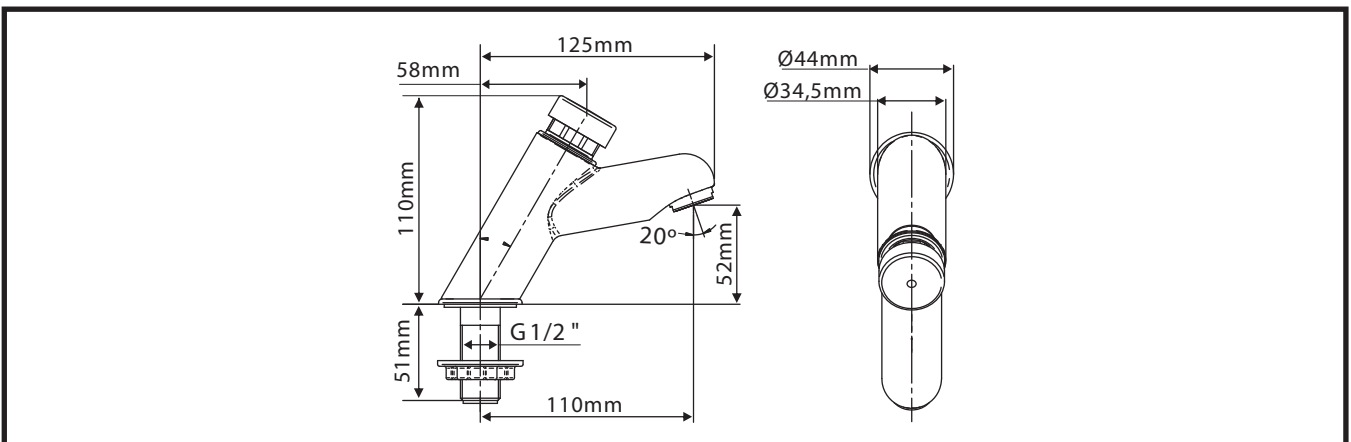
Operation

Tap is activated by pushing the button, flow will cease when preset time is achieved.

Available Models

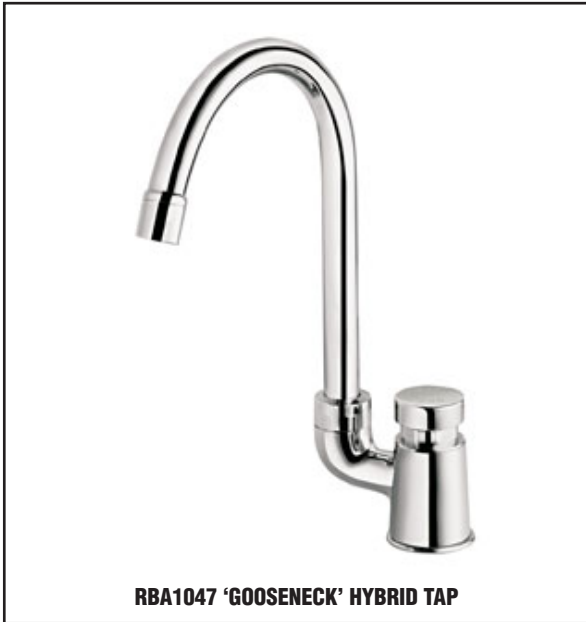
- RBA1044-600 6 Star Self Closing Push Tap - Polished
- RBA1044-400 4 Star Self Closing Push Tap - Polished

Important: Installation instructions and current rough-in details should be furnished with each fixture. Do not rough in without certified dimensions. Dimensions are subject to manufacturer's tolerance of +/-10mm.



As improvements in the design and performance of RBA products are continuous, specifications may be subject to change without notice. The illustrations and descriptions herein are applicable to production as of the date of this Technical Data Sheet. Revised 09/11 Printed in Australia © 2011 by RBA Group TD/Model RBA1044/0911

'GOOSENECK' HYBRID TAP



RBA1047 'GOOSENECK' HYBRID TAP

Special Features

- Self Cleaning Mechanism
- Water Saving
- Easy to Operate
- Low Maintenance
- Easy to Install

Description

Self-closing upright 'Gooseneck' pillar tap is designed for multiple applications [foodservice, offices, schools, shopping centres, stadiums, airports, public washrooms, etc]. Cast from DZR brass, then chrome plated to a polished finish. Single connection, valve will deliver cold or pre mixed water, single temperature only.

Hydraulic Requirements at Each Tap

Inlet: 1/2" BSP (G1/2")
 Operating pressure: 200 – 500 kPa
 Flow Time: 15 seconds nominal
 Maximum Temp.: 55° C
 Flow Rate: 5L/8L per minute
 Warranty: 2 Years from purchase

Construction

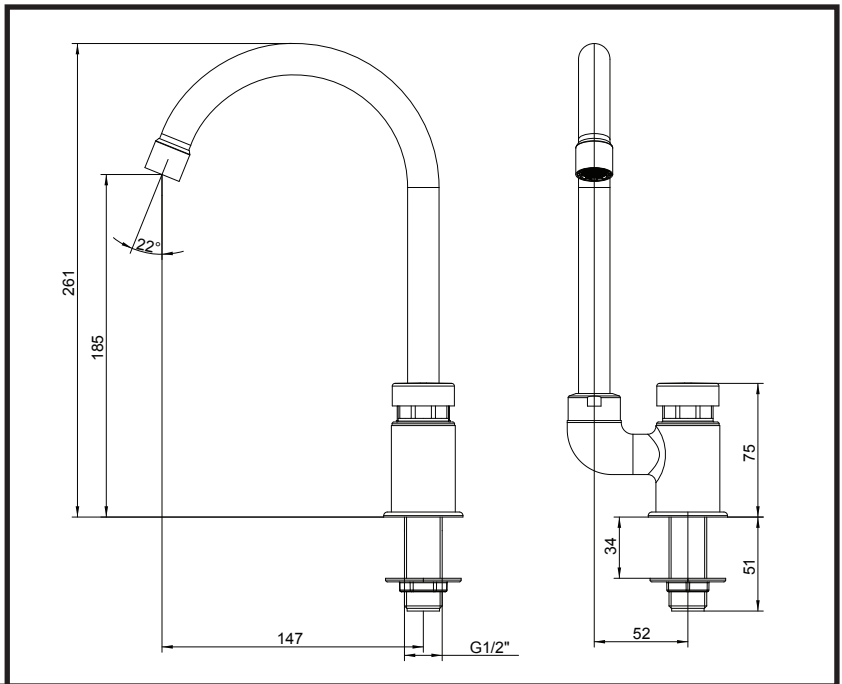
Heavy Duty DZR brass construction with polished chrome finish.

Operation

Tap is activated by pushing the button, flow will cease when preset time is achieved.

Available Models

- RBA1047-600** 6 Star [5Lpm] Hybrid Tap
- RBA1047-400** 4 Star [8Lpm] Hybrid Tap



Important: Installation instructions and current rough-in details should be furnished with each fixture. Do not rough in without certified dimensions. Dimensions are subject to manufacturer's tolerance of +/-10mm.



As improvements in the design and performance of RBA products are continuous, specifications may be subject to change without notice. The illustrations and descriptions herein are applicable to production as of the date of this Technical Data Sheet. Revised 09/11 Printed in Australia © 2011 by RBA Group TD/Model RBA1047/0911



'OASIS' SINGLE TEMP HYBRID TAP



Special Features

- Self Cleaning Mechanism
- Water Saving
- Vandal Resistant
- Easy to Operate
- Low Maintenance
- Easy to Install

Description

Self-closing upright 'Hybrid' pillar tap is designed for multiple applications [offices, schools, shopping centres, stadiums, airports, public washrooms, etc]. Cast from heavy duty DZR brass, then chrome plated to a polished finish. Single connection, valve will deliver cold or pre mixed water, single temperature only.

Designers Note: Press the top for timed-flow, or Turn for manual override.

Hydraulic Requirements at Each Tap

- Inlet: 1/2" BSP (G1/2")
- Operating pressure: 200 – 500 kPa
- Flow Time: 7 seconds nominal, or on demand
- Maximum Temp.: 55° C
- Flow Rate: 5L/8L per minute
- Warranty: 2 Years from purchase

Construction

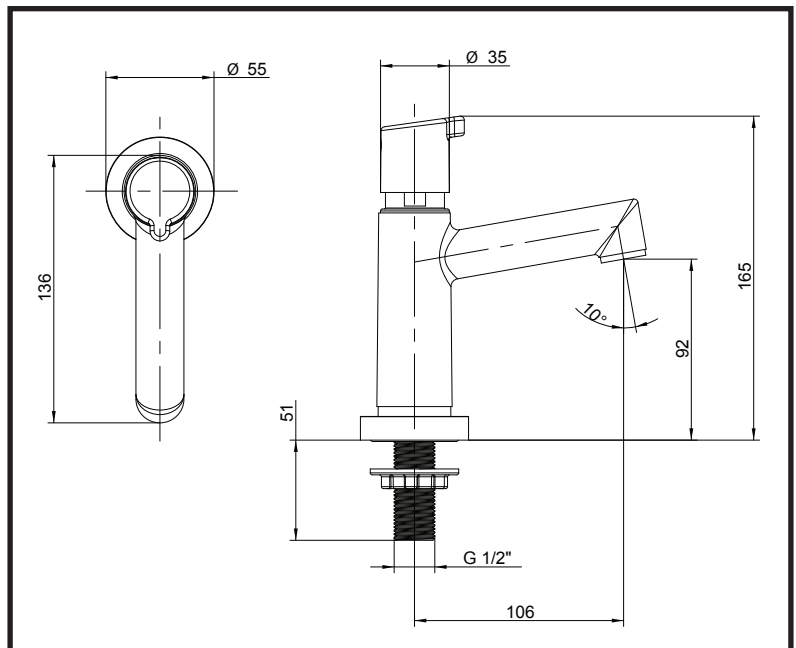
Heavy Duty DZR brass construction with polished chrome finish.

Operation

Tap is activated by pushing the button, flow will cease when preset time is achieved. Or Turn the handle for manual override. Tap requires re-closing if this option is selected.

Available Models

- RBA1049-600** 6 Star [5Lpm] Hybrid Tap - Polished
- RBA1049-400** 4 Star [8Lpm] Hybrid Tap - Polished



Important: Installation instructions and current rough-in details should be furnished with each fixture. Do not rough in without certified dimensions. Dimensions are subject to manufacturer's tolerance of +/-10mm.



'RIO' WALL MOUNTED SELF CLOSING TAP



RBA1053 'RIO' Wall Series Self Closing Tap

Special Features

- Clean Hygienic Design
- Water Saving
- Vandal Resistant
- Easy to Operate
- Low Maintenance
- Easy to Install

Description

Self-closing wall mounted bib tap is designed for multiple applications [offices, schools, shopping centres, public washrooms, etc]. Cast from heavy duty DZR brass, then chrome plated to a polished finish. Single connection, valve will deliver cold or pre mixed water, single temperature only.

Hydraulic Requirements at Each Tap

Inlet: Male 1/2" BSP (G 1/2" B)
 Operating pressure: 200 – 500 kPa
 Flow Time: 7 seconds nominal
 Maximum Temp.: 55° C
 Flow Rate: 5.5L/8L per minute
 Warranty: 2 Years from purchase

Construction

Heavy Duty DZR brass construction with polished chrome finish.

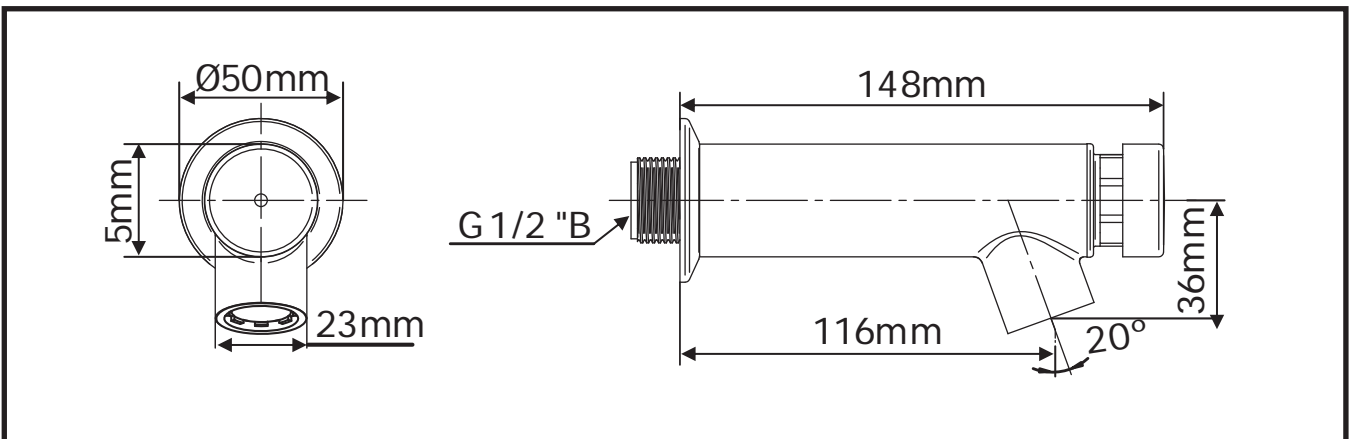
Operation

Tap is activated by pushing the button, flow will cease when preset time is achieved.

Available Models

- RBA1053-600** 6 Star Self Closing Push Tap - Polished
RBA1053-400 4 Star Self Closing Push Tap - Polished

Important: Installation instructions and current rough-in details should be furnished with each fixture. Do not rough in without certified dimensions. Dimensions are subject to manufacturer's tolerance of +/-10mm.



As improvements in the design and performance of RBA products are continuous, specifications may be subject to change without notice. The illustrations and descriptions herein are applicable to production as of the date of this Technical Data Sheet. Revised 01/12 Printed in Australia © 2011 by RBA Group TD/Model RBA1053/0112

SELF CLOSING TAP VALVE



RBA1055 Series Self Closing Tap Valve

Special Features

- Self Cleaning Mechanism
- Water Saving
- Vandal Resistant
- Easy to Operate
- Low Maintenance
- Easy to Install

Description

Recessed tap is designed for multiple applications [offices, schools, shopping centres, stadiums, airports, public washrooms, etc]. Cast from DZR brass, then chrome plated to a polished finish single connection, valve will deliver cold or pre mixed water, single temperature only.

Hydraulic Requirements at Each Tap

Inlet: 3/4" BSP (G3/4")

Operating pressure: 200 – 500 kPa

Flow Time: Select nominal 10 or 30 seconds below (see Available Models)

Maximum Temp.: 55° C

Warranty: 2 Years from purchase

Construction

DZR brass construction with polished chrome finish.

Operation

Tap is activated by pushing the button, flow will cease when preset time is achieved.

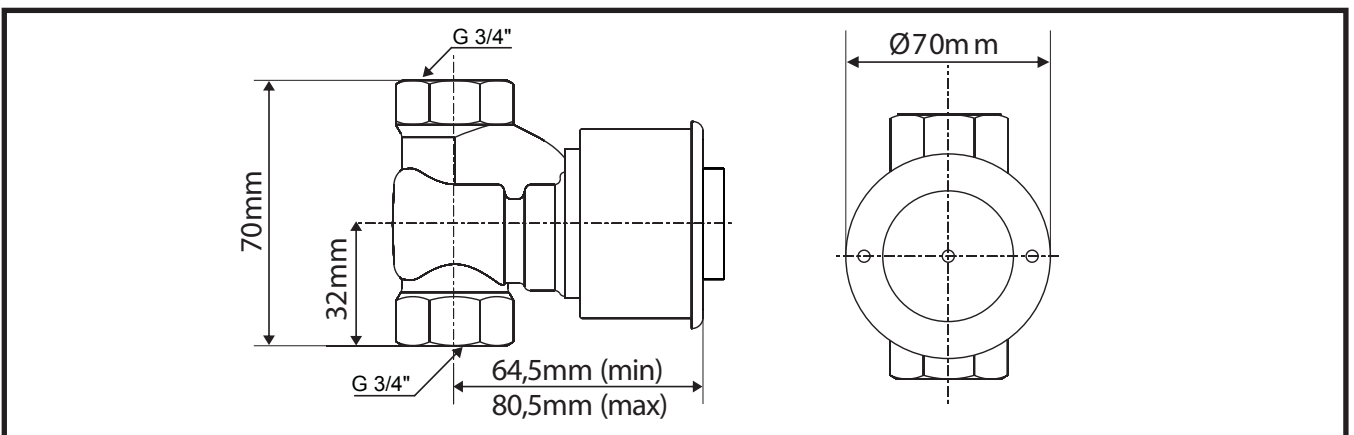
Available Models

RBA1055-510 10 second run-time

RBA1055-530 30 second run-time

To specify a suitable shower head, use RBA8519-102

Important: Installation instructions and current rough-in details should be furnished with each fixture. Do not rough in without certified dimensions. Dimensions are subject to manufacturer's tolerance of +/-10mm.



'RIO' MIXER



RBA1074 'RIO' Mixer

Special Features

- Self Cleaning Mechanism
- Water Saving
- Vandal Resistant
- Easy to Operate
- Low Maintenance
- Easy to Install

Description

Self-closing angled tap is designed for multiple applications [offices, schools, shopping centres, stadiums, airports, public washrooms, etc]. Cast from heavy duty DZR brass, then chrome plated to a polished finish. The lever on the side of the tap can be rotated away from the user for cooler water and toward the user for warmer.

Hydraulic Requirements at Each Tap

Inlet: ½" BSP braided hose
 Operating pressure: 200 – 500 kPa
 Flow Time: 7 seconds nominal
 Maximum Temp.: 55° C
 Flow Rate: 5.5L/8L per minute
 Warranty: 2 Years from purchase

Construction

Heavy Duty DZR brass construction with polished chrome finish.

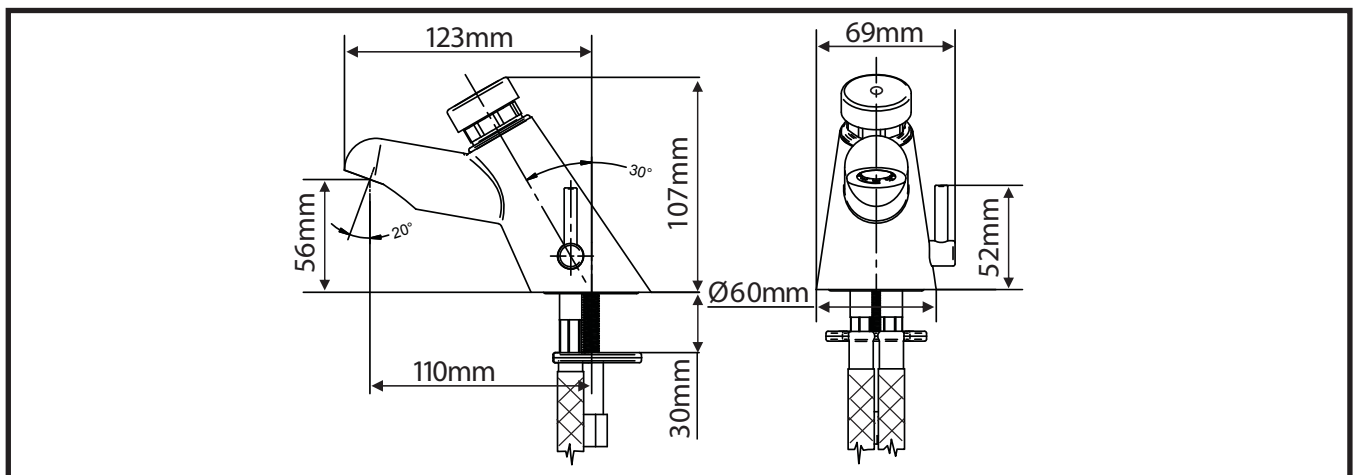
Operation

Tap is activated by pushing the button, flow will cease when preset time is achieved.

Available Models

RBA1074-600 6 Star Self Closing Push Mixer - Polished
RBA1074-400 4 Star Self Closing Push Mixer - Polished

Important: Installation instructions and current rough-in details should be furnished with each fixture. Do not rough in without certified dimensions. Dimensions are subject to manufacturer's tolerance of +/-10mm.



As improvements in the design and performance of RBA products are continuous, specifications may be subject to change without notice. The illustrations and descriptions herein are applicable to production as of the date of this Technical Data Sheet. Revised 09/11 Printed in Australia © 2011 by RBA Group TD/Model RBA1074/0911



'OASIS' MIXER HYBRID TAP



Special Features

- Self Cleaning Mechanism
- Water Saving
- Vandal Resistant
- Easy to Operate
- Low Maintenance
- Easy to Install

Description

Self-closing upright 'Hybrid' pillar tap is designed for multiple applications [offices, schools, shopping centres, stadiums, airports, public washrooms, etc]. Cast from heavy duty DZR brass, then chrome plated to a polished finish. The lever on the side of the tap can be rotated away from the user for cooler water and toward the user for warmer.

Designers Note: Press the top for timed-flow, or Turn for manual override.

Hydraulic Requirements at Each Tap

- Inlet: 1/2" BSP braided hose
- Operating pressure: 200 – 500 kPa
- Flow Time: 7 seconds nominal, or on demand
- Maximum Temp.: 55° C
- Flow Rate: 5L/8L per minute
- Warranty: 2 Years from purchase

Construction

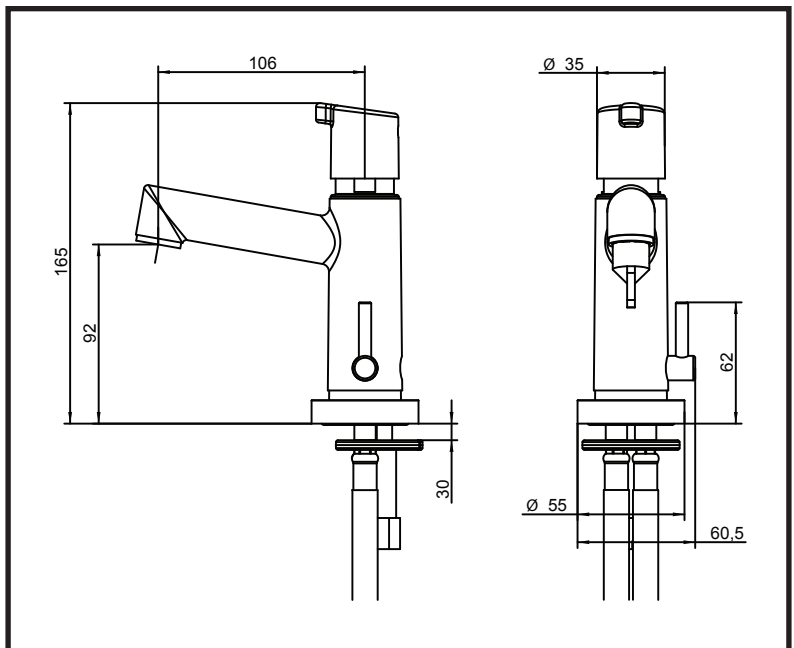
Heavy Duty DZR brass construction with polished chrome finish.

Operation

Tap is activated by depressing the lever, flow will cease when preset time is achieved. Or Turn the handle for manual override. Tap requires re-closing if this option is selected.

Available Models

- RBA1079-600** 6 Star [5Lpm] Hybrid Tap - Polished
- RBA1079-400** 4 Star [8Lpm] Hybrid Tap - Polished



Important: Installation instructions and current rough-in details should be furnished with each fixture. Do not rough in without certified dimensions. Dimensions are subject to manufacturer's tolerance of +/-10mm.

