

SmartLine

200Litre Gas Boosted Solar System



SmartLine is the clever solution for solar hot water in your home

- SmartLine has been developed with the needs of the builder in mind. This unique split system, with an aesthetically pleasing design, consists of an integrated tank & booster that is simple to install.
- No building on site. Just plug and plumb... the rest is done.
- Time is money and the SmartLine saves you time in installation so you can be more productive in a day.
- SmartLine is available in 1 or 2 panel systems with ultra-efficient EcoBlue collectors.
- Gas-boosted solar heated water provides never-ending, steaming hot water when you want it.

Why is EcoBlue the best choice for you?

Our advanced EcoBlue collectors consist of the latest "Blue Sputter" coating technology, developed in Europe to provide the ultimate thermal absorption properties whilst minimising heat losses and produced with environmentally-friendly practises. EcoBlue collectors allow Chromagen systems to attract high government STC's and the benefits of higher savings on running costs, year after year.

Energy Efficiency - for Eternity

Get never ending steaming hot water 24/7 – with Chromagen Gas Boosted Solar Systems.

Chromagen's Eternity continuous flow gas water heaters feature state of the art technology and materials to provide superior energy

Improve the energy rating of your home.

Use the Sun's unlimited FREE energy to provide up to 80% of your hot water heating needs.

Get the benefits of energy efficient water heating in a simple, "no fuss" system.

efficiency, performance and long service life. Eternity boosters are highly energy efficient and feature a 6 Star energy rating, leading to high STC points and low operating costs for the home owner.

Why Choose Chromagen?

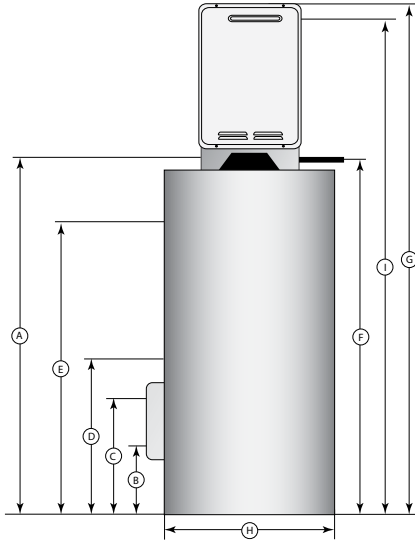
- An international leader in thermal solar energy solutions since 1962
- Collectors and storage tanks manufactured to ISO 9001 international quality standards
- Nation-wide sales and service networks
- In-house RECs department
- Committed to quality, innovation & energy efficient solutions
- A one-stop-shop for your green energy solutions
- Other quality Chromagen products include:
Thermosiphon solar hot water, Air source heat pumps, Continuous flow gas water heaters and Solar electricity

Your local Dealer / Distributor is:



SmartLine

System Specifications

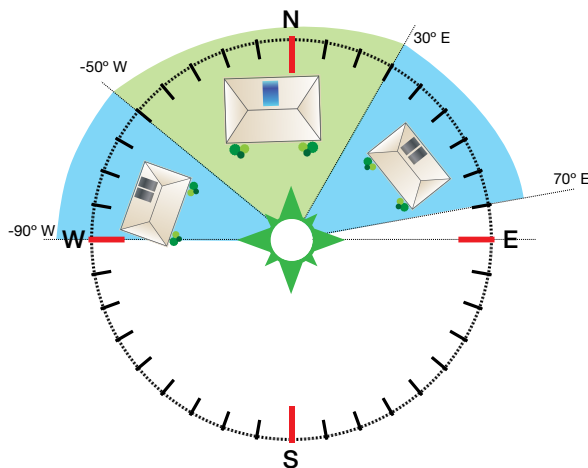


Tank	Description	200 litre
A (mm)	Hot water outlet	1260
B (mm)	Cold water inlet	170
C (mm)	Collector cold flow line	470
D (mm)	Collector hot return line	615
E (mm)	Pressure/Temperature Valve	940
F (mm)	20mm Gas line	1255
G (mm)	Height	1870
H (mm)	Width	600
I (mm)	Flue Terminal	1810
Weight	Kilograms (empty)	95

Number Of Collectors	Collector Orientation	Panel Type*	Absorber Coating	Booster Lpm / Star Rating	Order Codes	Loading	Length	Width	Total Weight Empty (Kg)	Total Weight Full Full(Kg)
1	30°E to -50°W	EcoBlue CR120SP	Blue Sputter	20 / 6	NG S0682	2 (For 3-4 bedrooms)	2180	1310	52	57
					LPG S0683					
					NG S0686					
					LPG S0687					
2	70°E to -90°W	BlackMax CR110BP	Black Paint	20 / 6	NG S0608	3 (For 4+ bedrooms)	2190	2290	74	81
					LPG S0609					
					NG S0446					
					LPG S0445					

How Solar Hot Water Works

1. Cold water is pumped through the roof panels, and is heated by the sun.
2. The heated water returns to the tank, and is stored for later use.
3. At night (or on especially cold days), the gas or electric booster makes sure the water is heated to a usable temperature.



Depicts orientation required to achieve a 6 star energy rating



NOTE: An approved tempering valve must be fitted on the hot water outlet from the gas hot water system. WARNING: Do not use plastic pipe between the storage tank and solar collector panels. To do so will have catastrophic consequences. Insulation of copper flow and return lines must be in accordance with AS 3500.4 industry standard. This revision supersedes all previous versions. All details in this document are accurate at time of publishing. Product specifications may change without notice. For the latest product details and specifications, please visit our website - www.chromagen.com.au

