

CLIP top BLUMOTION 125° 0-protrusion hinge

Packed with functionality

www.blum.com

 **blum**®

Memo

i

High quality down to the last detail



BLUMOTION is integrated into the hinge arm



Switch for BLUMOTION deactivation



Suitable boss cover caps are also available

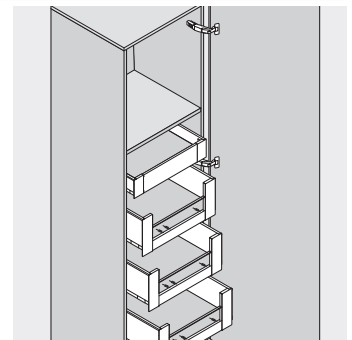
The new CLIP top BLUMOTION 125° 0-protrusion hinge

Blum's range is expanding to introduce CLIP top BLUMOTION 125° 0-protrusion hinge and is the ideal solution for thick doors. The new 125° hinge supports the industry with specialised applications which facilitates the mounting of thicker doors and can be used on a range of different materials starting at 25mm up to 39mm. The new hinge combines familiar adjustment with the very highest quality of motion. Thanks to its sophisticated technology, the BLUMOTION dampening is compactly integrated directly into the hinge arm. The installation size remains the same.

CLIP top BLUMOTION 125° 0-protrusion hinge

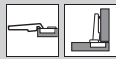


- 0-protrusion for overlay application (for cabinets with inner pull-outs or pull-out surrounds)
- Hinge for thick doors and doors with profile
- CLIP top BLUMOTION with integrated BLUMOTION (with deactivation option)
- All metal hinge
- 125° opening angle
- 3-dimensional front adjustment
- Convenient spiral-tech depth adjustment
- Tool-free door to cabinet assembly and removal



Order Information

Overlay application
0-protrusion



<input checked="" type="checkbox"/>	<input type="checkbox"/>	<input type="checkbox"/>	<input type="checkbox"/>	<input type="checkbox"/>	<input type="checkbox"/>
Boss	Knock-in				
<input checked="" type="checkbox"/>	<input type="checkbox"/>	<input type="checkbox"/>	<input type="checkbox"/>	<input type="checkbox"/>	<input type="checkbox"/>
Hinge	Spring	Colour	Part no.		
CLIP top BLUMOTION	•	NI	71B7580D		

a Accessories – general

<input checked="" type="checkbox"/>	<input type="checkbox"/>	Opening angle stop			
Opening angle	Colour	Part no.			
92°	R7037	70T7553			
R7037 RAL 7037 dust grey					

<input checked="" type="checkbox"/>	<input type="checkbox"/>	Hinge boss cover cap			
Hinge	Colour	Part no.			
CLIP top BLUMOTION	NI	70T7504			
NI Nickel plated					

<input checked="" type="checkbox"/>	<input type="checkbox"/>	Hinge arm cover cap			
Print Stamp	Logo	Colour	Part no.		
Plain	-	NI	70.4503		

<input checked="" type="checkbox"/>	<input type="checkbox"/>	Insertion ram			
Material	Colour	Part no.			
Nylon	Orange	MZM.0040			
NI Nickel plated					

• with spring

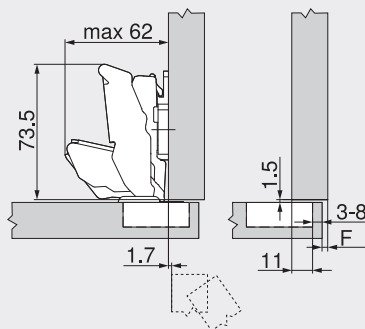
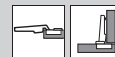
NI Nickel plated

125° 0-protrusion hinge

Planning

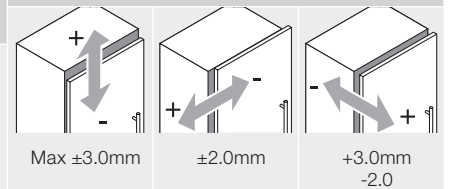
Hinge dimensions and gap calculation based on factory setting (mounting plate spacing = 0mm)
Hinge and front protrusion at 90 opening angle

Overlay application
0-protrusion

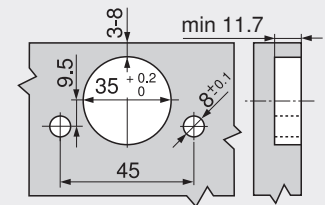


F Gap

Adjustment



Knock-In



Drilling distance TB

MD	Front overlay FA (mm)																		
	5	6	7	8	9	10	11	12	13	14	15	16	17	18	19				
0											3	4	5	6	7	8			
3							3	4	5	6	7	8							
6				3	4	5	6	7	8										
9	3	4	5	6	7	8													
MD	Mounting plate spacing (mm)																		

Minimum gap F for fronts with a front radius (R=1mm) based on the factory setting

Drilling distance TB (mm)	Minimum gap F (mm)													
	29	30	31	32	33	34	35	36	37	38	39	40		
3	0	0	0	0.1	0.3	0.7	1.2	2	2.8	4.1	5.7	-		
4	0	0	0	0.1	0.4	0.8	1.5	2.3	3.4	4.9	-	-		
5	0	0	0	0.1	0.4	1	1.7	2.8	4.2	-	-	-		
6	0	0	0	0.1	0.6	1.2	2.1	3.5	-	-	-	-		
7	0	0	0	0.2	0.7	1.6	2.8	-	-	-	-	-		
8	0	0	0	0.3	1	2	-	-	-	-	-	-		

We recommend a trial application for an overlay application against a wall

92° Opening angle stop

For additional technical data please ref to the 2018/2019 technical catalogue P112 & P113