

**DURALUX<sup>+</sup>PLUS**  
CEILING WALL & SOFFIT LINING



Build it better with **BGC**

**BGC**

Fibre Cement

## HISTORY & MISSION



Our distribution network ensures that our entire product range is readily available in all states of Australia and in New Zealand.

BGC has a team of technical specialists that can assist with all specification and design information to help ensure that you always **'build it better with BGC'**.

Our mission at BGC is simple – we want to ensure that people can always **'build it better with BGC'**.

In keeping with our mission, we are constantly assessing and improving our products to ensure that we always provide cost effective, high quality and easy-to-use products to the market.

# CONTENTS



|                                 |                            |
|---------------------------------|----------------------------|
| 5 // PRODUCT DESCRIPTION        |                            |
| 5 // PANEL SIZES AND MASS       |                            |
| 5 // FIRE RESISTANCE            |                            |
| 5 // HANDLING AND STORAGE       |                            |
| 5 // HEALTH AND SAFETY          |                            |
| 5 // SHEET CUTTING AND DRILLING |                            |
| 6 // FRAMING                    | 11-13 // EXTERIOR SOFFITS  |
| 6 // SHEET LAYOUT               | 14 // LIGHTING             |
| 6 // FASTENERS                  | 14 // CERAMIC WALL TILING  |
| 7 // FIXING REQUIREMENTS        | 14 // PAINTING             |
| 8 // CONTROL JOINTS             | 14 // MAINTENANCE          |
| 9-10 // BRACING                 | 14 // BUSHFIRE INFORMATION |
|                                 | 14 // WARRANTY             |

# DURALUX<sup>TM</sup> PLUS

CEILING WALL & SOFFIT LINING



DURALUX<sup>TM</sup> PLUS IS A GENERAL-PURPOSE FIBRE CEMENT BUILDING BOARD WHICH YOU CAN USE FOR MANY DIFFERENT AND DEMANDING APPLICATIONS. AMONG THESE ARE INTERIOR LINING, DOMESTIC AND COMMERCIAL SOFFITS, EXPOSED BEAM CEILINGS, IN WET AREAS AND AS A SUBSTRATE FOR CERAMIC WALL TILES.

QUICK AND EASY TO APPLY TO TIMBER OR STEEL, ITS THREE AVAILABLE THICKNESSES MAKE DURALUX<sup>TM</sup> PLUS A FLAWLESS CHOICE FOR MANY DOMESTIC AND COMMERCIAL APPLICATIONS.

#### **DURALUX<sup>TM</sup> PLUS**

- // Easy, correct installation and maintenance will ensure full water resistance
- // Simply decorated in a variety of finishes
- // Classified as Type B Category 2 product for use in applications sheltered from direct weathering

## PRODUCT DESCRIPTION

Duralux™ Plus is a general-purpose fibre cement building board specially formulated and prepared for many demanding applications including:

- //Interior Lining
- //Domestic & Commercial Soffit Linings
- //Exposed beam ceilings
- //Wet Area Linings
- //A Substrate for Ceramic Wall Tiles

## PRODUCT INFORMATION

Duralux™ Plus is manufactured from Portland cement, finely ground silica, cellulose fibre and water. It is cured in a high-pressure steam autoclave to create a durable, dimensionally stable product.

Duralux™ Plus is manufactured to comply with the requirements of AS 2908.2 Cellulose Cement Products. It is classified as a Type B Category 2 product for use in applications where it will be sheltered from direct weathering.

## PANEL SIZES AND MASS

| THICKNESS<br>mm | MASS<br>kg/m <sup>2</sup> | WIDTH<br>mm | LENGTH mm |      |      |      |
|-----------------|---------------------------|-------------|-----------|------|------|------|
|                 |                           |             | 2400      | 2700 | 3000 | 3600 |
| 4.5*            | 10                        | 900         | ☒         |      | ☒    |      |
|                 |                           | 1200        | ☒         | ☒    |      | ☒    |
| 6               | 15.38                     | 900         |           |      | ☒    |      |
|                 |                           | 1200        | ☒         | ☒    | ☒    | ☒    |
| 9               | 19                        | 1200        | ☒         | ☒    | ☒    |      |

\* Available only in QLD

## APPEARANCE

Duralux™ Plus is manufactured in 4.5mm, 6mm and 9mm thick sheets. 4.5mm sheets have a bevelled edge, 6mm and 9mm sheets have a square edge.



4.5mm Bevel



6mm and 9mm Square

## FIRE RESISTANCE

The early fire indices of Duralux™ Plus, as tested by the CSIRO – Building, Construction and Engineering Division, in accordance to Australian Standard AS1530.3 (Report No. FNE7524) are:

- // Ignitability Index 0
- // Spread of Flame Index 0
- // Heat Evolved Index 0
- // Smoke Developed Index 0 ~ 1

## QUALITY SYSTEMS

BGC Fibre Cement manufactures Duralux™ Plus under the rigorous Quality Management System of the International Standard ISO 9001:2008, and is the holder of Licence Agreement number QEC2955/13.

## HANDLING & STORAGE

Duralux™ Plus must be stacked flat, up off the ground and supported on equally spaced (max 300mm) level gluts.

The sheets must be kept dry, preferably by being stored inside a building. When stored outdoors they must be protected from the weather.

Care should be taken to avoid damage to the ends, edges and surfaces.

Sheets must be dry prior to being fixed, or painted.

Sheets must be carried on edge.

## HEALTH AND SAFETY

Duralux™ Plus as manufactured, will not release airborne dust but, during drilling, cutting and sanding operations cellulose fibres, silica and calcium silicate dust may be released. Breathing in fine silica dust is hazardous and prolonged exposure (usually over several years) may cause bronchitis, silicosis or cancer.

## AVOID DUST INHALATION

When cutting sheets, work in a well ventilated area and minimise dust generation. If using power tools, wear an approved (P1 or P2) dust mask and safety glasses.

These precautions are not necessary when stacking, unloading or handling fibre cement products.

For further information or a Material Safety Data Sheet contact the nearest BGC Fibre Cement Sales Office.

## SHEET CUTTING & DRILLING

Duralux™ Plus sheets may be cut to size on site. If using power tools for cutting, drilling or sanding they must be fitted with appropriate dust collection devices or wear an approved (P1 or P2) dust mask. Work should always be carried out in a well ventilated location.

Suitable cutting methods are:

### // DURABLADE

180mm diameter. This unique cutting blade is ideal for cutting fibre cement. It can be fitted to a 185mm circular saw. Please ensure safe practices when using.



### // NOTCHING

Cut the two sides with a handsaw or guillotine, score along the back edge then snap upwards to remove the notch.

### // DRILLING

Duralux™ Plus sheets can be drilled using normal high-speed drill bits. Do not use the drill's hammer function. For small round holes such as tap penetrations, the use of a holesaw is recommended.

### // PENETRATIONS

Penetrations can be made by drilling a series of small holes around the perimeter of the cut out. Tap waste piece from the sheet face with a hammer. Support the underside of the opening to avoid damage. Clean rough edges with a rasp.

Large Rectangular Openings are formed by deeply scoring the perimeter of the opening with a 'score and snap' knife. Next, form a hole in the centre of the opening (see method above) then saw cut from the hole to the corners of the opening. Snap out the four triangular segments. Clean rough edges with a rasp.

## FRAMING

Duralux™ Plus is suitable for fixing to timber and lightweight steel framing.

## GENERAL

- // Framing must be constructed to comply with the Building Code of Australia.
- // The framing must be set to a true plane to ensure a straight finish to the wall.
- // Maximum stud centres are 450mm for 4.5mm sheets and 600mm for 6mm and 9mm sheets.
- // Noggings must be spaced at a maximum of 1350mm centres.
- // With the exception of some soffit linings, Duralux™ Plus sheets must not be joined off the framing unless supported with PVC sheet joiners.

## TIMBER FRAMING

Timber framing must comply with AS 1684.2 & .3 National Timber Framing Code.

Duralux™ Plus must not be fixed to wet framing. It is strongly recommended that kiln dried timber is used for framing.

If sheets are fixed to 'wet' framing problems may occur at a later date due to excessive timber shrinkage.

## METAL FRAMING

Metal framing must comply with AS 3623 Domestic Metal Framing.

Duralux™ Plus may be fixed directly to lightweight metal framing.

If Duralux™ Plus is used with heavy gauge (greater than 1.6mm) steel framing, it must be battened out with either timber or lightweight steel battens prior to fixing.

Timber battens must have a minimum thickness of 40mm to allow adequate nail penetration. Battens supporting sheet joints must have a minimum actual face width of 45mm.

## SHEET LAYOUT

### INTERIOR WALL LINING

Duralux™ Plus sheets may be fixed vertically or horizontally. **Where the wall is to be tiled, fix at 200mm centres in the body of the sheet as well as along the sheet edges. Do not bridge sheet joint with tiles.**

**Note:** Framing must support all sheet joints. When sheets are fixed adjacent to a floor, leave a 6mm gap between the bottom of the sheets and the floor.

### WET AREAS

Duralux™ Plus offers a proven, cost effective lining system for use in wet areas when installed in accordance with AS3740:1994 'Waterproofing of wet areas within residential buildings'. Refer to our Duraliner™ Plus Technical Information brochure.

Duralux™ Plus to be fitted vertically with no joins in wet areas. Duraliner™ Plus is the preferred product in wet areas.

## FASTENERS

### TIMBER FRAMING

Duralux™ Plus sheets are fixed to timber framing using 30 x 2.0mm Galvanised Flat Head Nails.

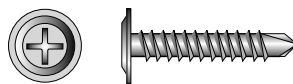


#### 30 x 2.0mm Galvanised Flat Head Nails

Do not overdrive nails. When using nail guns, if variability occurs, the gun should be set to under drive and the nails tapped home with a hammer.

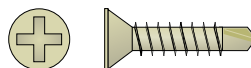
### LIGHTWEIGHT STEEL FRAMING

4.5 mm Duralux™ Plus sheets must be fixed to lightweight steel framing using No.8 x 20 mm Wafer Head Drill Point Screws.

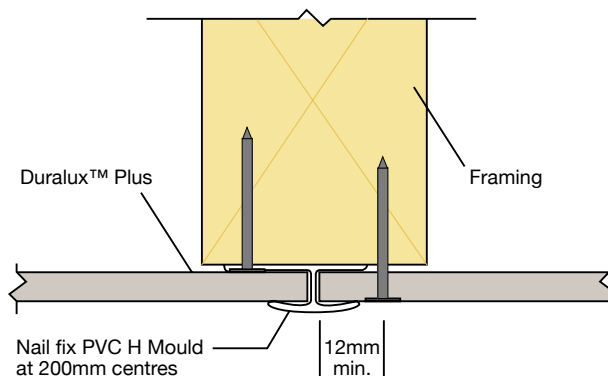


#### No.8 x 20 mm Wafer Head Drill Point Screws

For fixing 6mm and 9mm Duralux™ Plus to lightweight steel framing use No.8 x 20mm Countersunk Screws. Typically Buildex Self Drilling Countersunk Tek Screws are suggested on steel frames up to 1.15mm. Buildex Fibre Zip on steel frames BMT 0.7mm or less.



**FIGURE 1 //**  
FRAMING MUST SUPPORT ALL SHEET JOINTS



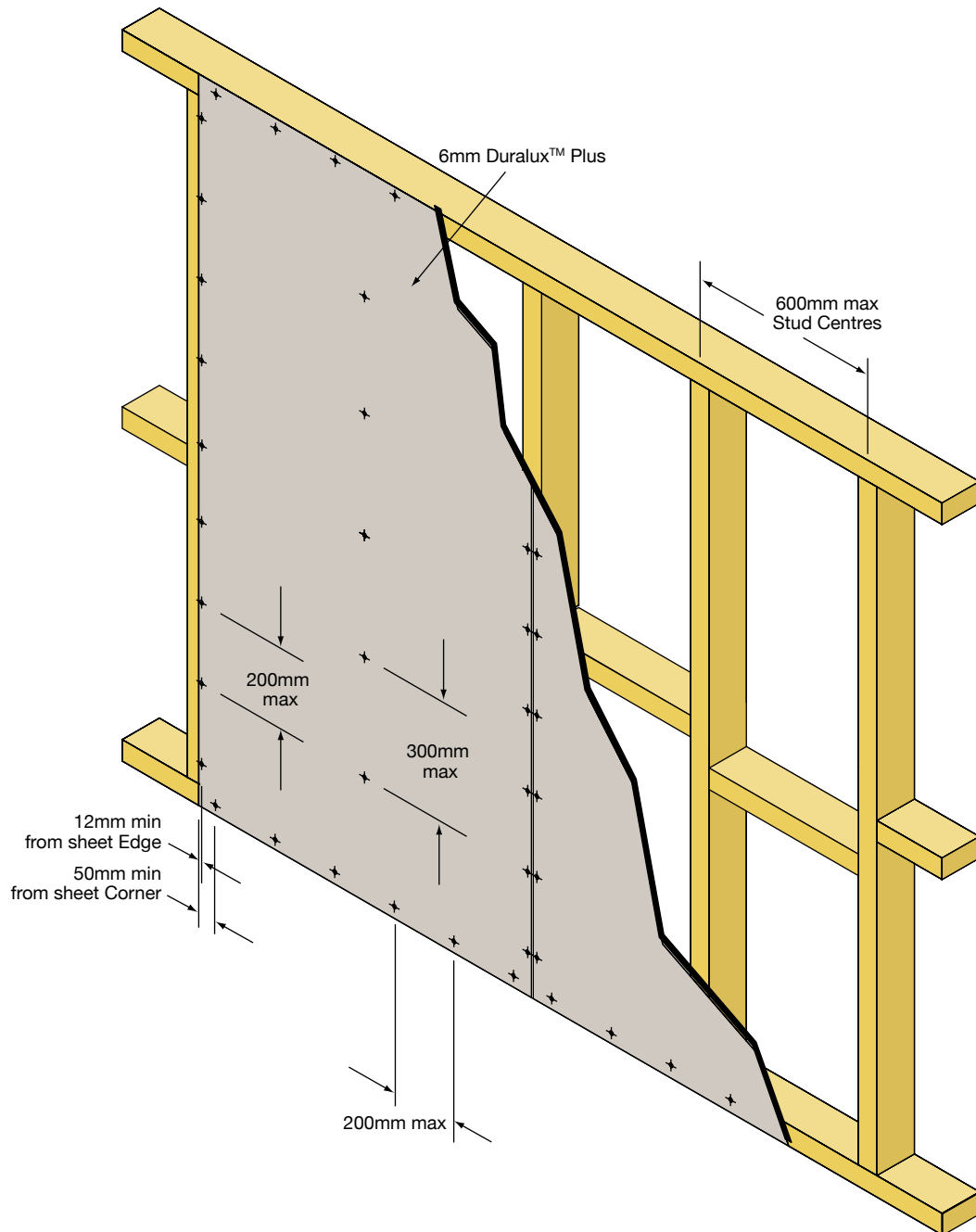
## FIXING REQUIREMENTS

Duralux™ Plus can be butt jointed over framing members, or with a PVC sheet holder. All sheet edges and joints must be supported by the frame. Fixing centres must not exceed 200mm on the edges of the sheet and 300mm centres in the body of the sheet. See Figure 2.

Do not place fixings closer than 12mm from sheet edges, or closer than 50mm from sheet corners.

The sheet must be held firmly against the framing when fixing to ensure breakout does not occur on the back.

**FIGURE 2 //**  
SHEET FIXING



## CONTROL JOINTS

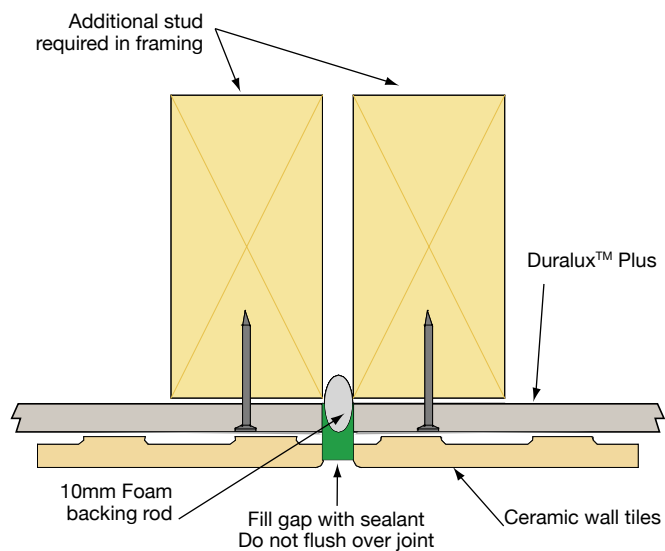
If a continuous run of sheeting exceeds 4.2m for tiled areas, or 6m for untiled areas, then it must be broken with a control (expansion) joint.

For tiled areas the control joint must carry through the framing, sheeting and tiling, see Figure 3.

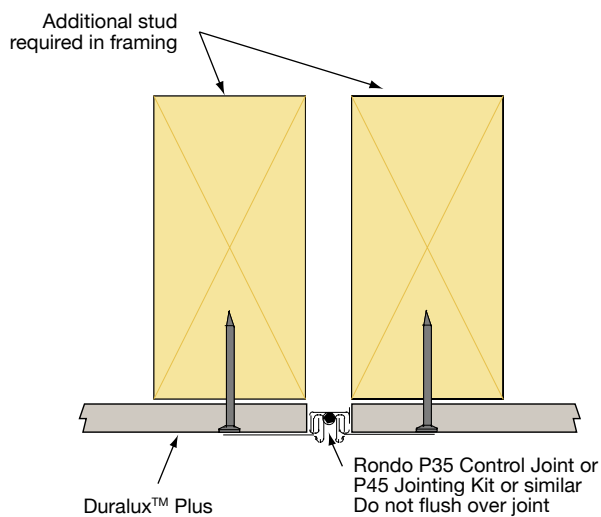
For untiled areas the use of a Rondo – P35 or P45 control joint, see Figure 4.

Allow a 15mm gap between the Duralux™ Plus sheets. Locate the control joint centrally in the gap and fix the flanges of the control joint at a maximum of 150mm centres.

**FIGURE 3 //**  
TILED CONTROL JOINT



**FIGURE 4 //**  
UNTILED CONTROL JOINT





## BRACING

Duralux™ Plus 6mm and 9mm sheets can be used to provide bracing to resist racking loads due to wind loadings when installed vertically.

Where Duralux™ Plus 6mm and 9mm sheets are used to provide bracing on timber dwellings, the Australian Standard for "Residential timber-framed construction" must be adhered to:

AS1684.2-1999 (Non-cyclonic areas)  
AS1684.3-1999 (Cyclonic areas)

Racking forces due to wind loading shall be calculated as per these Australian Standards.

For bracing data on other construction methods and applications, contact your BGC Fibre Cement Sales Office.

### NOMINAL WALL BRACING

Up to 50% of the total bracing requirements can be supplied by Duralux™ Plus sheeting installed normally. To be eligible for inclusion in calculations as nominal wall bracing:

- // The minimum length of each nominal bracing panel shall be 450mm.
- // Nominal bracing shall be distributed evenly throughout the building.

The bracing capacity for nominal bracing is given in the following table:

#### NOMINAL SHEET BRACING WALLS

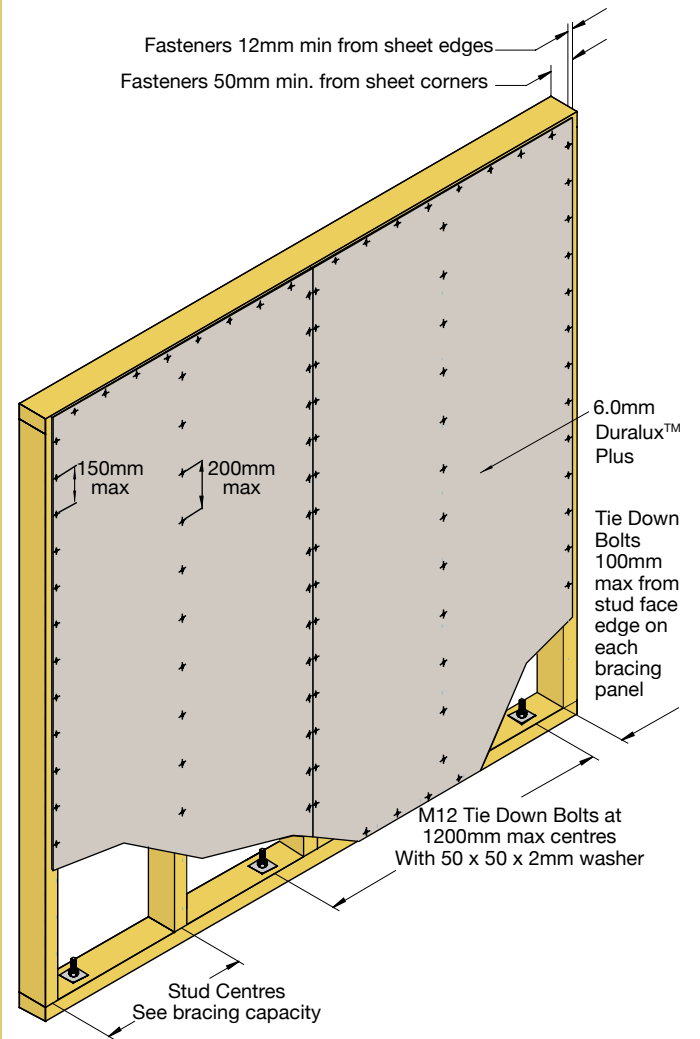
| METHOD                | BRACING CAPACITY (KNm) |
|-----------------------|------------------------|
| Sheeted one side only | 0.45                   |
| Sheeted two sides     | 0.75                   |

### STRUCTURAL WALL BRACING

The use of Duralux™ Plus 6mm is not limited to the provision of nominal wall bracing.

Figure 5 gives the design bracing capacity for panels secured with Tie Down Bolts. This table can be considered to be an addition to Table 8.18, AS1684.2- 1999/AS1684.3 - 1999.

**FIGURE 5//**  
DURALUX™ PLUS BRACING CAPACITY  
USING TIE DOWN BOLTS



### FASTENER SPACING

When using tie down bolts, fasteners are to be fixed at 150mm max around sheet perimeter and 200mm max in the body of the sheet.

| STUD CENTRE (mm) | CLADDING      | BRACING CAPACITY (k/N/m)ULS* |
|------------------|---------------|------------------------------|
| 600              | One Face Only | 3.6                          |
| 450              | One Face Only | 3.75                         |

\*Ultimate Limit State design.

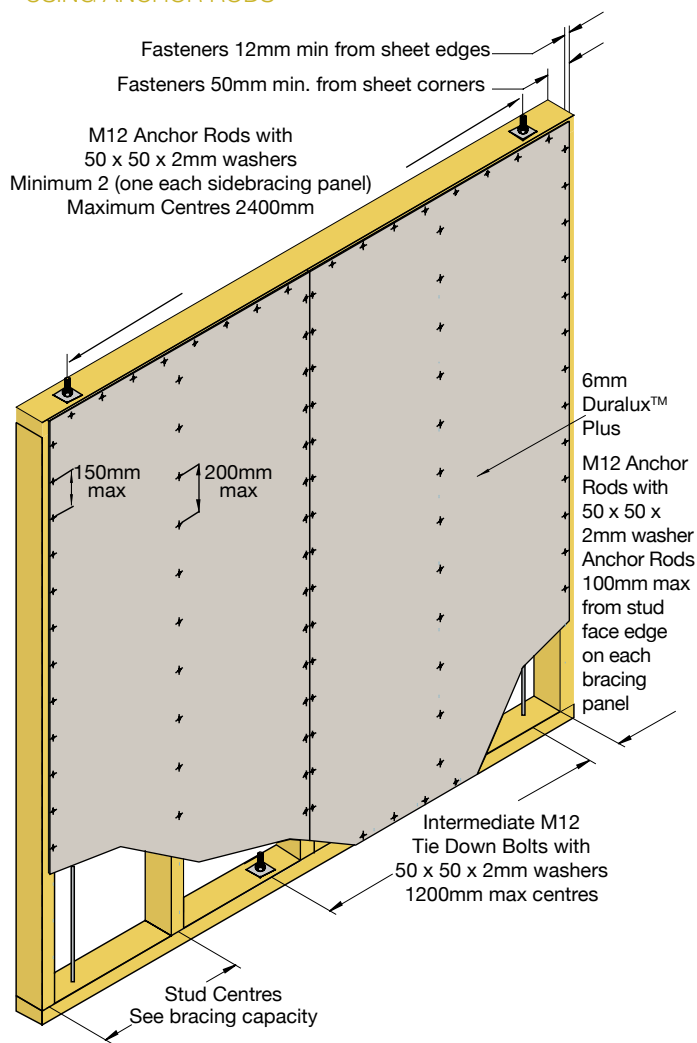
These results are from testing on JD5 Grade timber. If hardwood frames (JD2) are used, the ULS will increase by 12.5%.

Permissible Stress Design (PSD) =  $\frac{\text{Ultimate Limit State (ULS)}}{1.5}$

## BRACING

Figure 6 gives the design bracing capacity for panels secured with Anchor Rods. This table can be considered to be an addition to Table 8.18, AS1684.2- 1999/AS1684.3 - 1999.

**FIGURE 6 //**  
DURALUX™ PLUS BRACING CAPACITY  
USING ANCHOR RODS



## PANELS HEIGHT GREATER THAN 2700mm

The bracing capabilities, Figures 5 and 6 are applicable to a maximum panel height of 2700mm.

For panel heights greater than 2700mm the bracing capacity shall be reduced using the panel height multiplier given in the below table.

| BRACING CAPACITY - PANEL HEIGHT MULTIPLIER |            |
|--|------------|
| WALL HEIGHT (MM)                           | MULTIPLIER |
| 3000                                       | 0.90       |
| 3300                                       | 0.80       |
| 3600                                       | 0.75       |
| 3900                                       | 0.70       |
| 4200                                       | 0.64       |

## PANELS LENGTH LESS THAN 900mm

The bracing capabilities, Figures 5 and 6 are applicable to a minimum panel length of 900mm. Effective bracing is achievable with panel lengths down to 450mm. Reduce the bracing capacity for panel between 450mm and 900mm long, using panel length multiplier given in the below table.

| BRACING CAPACITY - PANEL HEIGHT MULTIPLIER |            |
|--|------------|
| PANEL LENGTH (MM)                          | MULTIPLIER |
| 850  | 0.92       |
| 800  | 0.83       |
| 750  | 0.75       |
| 700  | 0.66       |
| 650  | 0.58       |
| 600  | 0.50       |
| 550  | 0.42       |
| 500  | 0.33       |
| 450  | 0.25       |

## FASTENER SPACING

When using Anchor Rods, fasteners are to be fixed at 150mm max around sheet perimeter and 200mm max in the body of the sheet.

| STUD CENTRE (mm) | CLADDING      | BRACING CAPACITY (k/N/m)ULS* |
|------------------|---------------|------------------------------|
| 600              | One Face Only | 5.55                         |
| 600              | Both Faces    | 5.77+                        |

\*Ultimate Limit State design.

These results are from testing on JD5 Grade timber. If hardwood frames (JD2) are used, the ULS will increase by 12.5%.

Permissible Stress Design (PSD) =  $\frac{\text{Ultimate Limit State (ULS)}}{1.5}$

+ Calculated through Interpolation

## EXTERIOR SOFFITS

A soffit is defined as an exterior ceiling under roof or other decking structures with limited space above. Eaves and verandahs are usually narrower and are at the perimeter of the building.

A current trend is to design a seamless flushed finish to exterior soffits to compliment the flushed finish on interior ceilings. The Soffit or exterior ceiling is in an exterior environment which is subject to weather extremes, wind pressure and significant thermal variation. Thermal variation can result in flush joint cracking. Ambient temperatures affect the dimensional stability of most materials notably steel and to a lesser extent timber. While ambient range can be 0c – plus 40c; unventilated spaces immediately above the soffit are capable of reaching in the vicinity of 70c. Such large temperature range results in thermal movement primarily in the soffit supporting structure. This movement results in cracking of the flushed joints.

Duraliner™ Plus can be flushed with BGC exterior base and topping compounds. However, this system must incorporate control joints. While this system achieves a seamless appearance, apart from the control joints, it is not recommended in applications where higher levels of thermal variation are likely to occur in the space immediately above the soffit.

Duralux™ Plus on the other hand offers crisp lines by expressing every joint. This detail eliminates the risk of flush joint cracking and is the preferred option.

The decision to specify a flush jointed external soffit in Duraliner™ Plus needs careful consideration of the immediate environment of the soffit lining. As a general rule, soffits where the space above is less than 1m should not be flush jointed. Should the designer/specifier or others want a flushed finish in tighter spaces; very careful detailing to address heat build up and thermal movement is required; regardless cracked joints are a real risk.

The following suggestions cover most of the key issues to be considered in minimising the risk of flushed joint failure. Please note these suggestions do not eliminate the possibility of cracked joints. Refer to figures 3 to 6.

### ENSURE YOU CONSIDER

- // Engineered frame providing for imposed wind load, control joints, thermal movement and ventilation. Typically Rondo and or Peer can provide this information
- // A minimum space of 1m above the soffit. Ventilate the space to minimize heat build up. A few suggestions are; Ventilation slots cut in the perimeter of the sheet; Install thermal vents in the sheet; Roof whirly birds or all of these.
- // Roof insulation is fitted; Anticon or similar.
- // Consider orientation and prolonged exposure to extreme radiant heat in summer as this can cause localized heat build up and excessive thermal movement.
- // Install Duralux™ Plus to furring channel typically Rondo 129 and ensure a minimum 35mm bearing area. Furring channel is to be fixed via a suitable clip or suspension system. Sheets are orientated at right angles to furring channel. Do not fix sheets directly to the underside of the roof framing or structure above.
- // Reduce control joint centre to 3.6m i.e. two flushed joints between control joints to better cater for thermal movement and or use expressed joints.
- // Use minimum class 3 corrosion resistant fasteners. Corrosive atmospheres i.e. Industrial locations and coastal or estuary locations with airbourne salt spray will require class 4 corrosion resistant fasteners.
- // Expressed joints in a Duralux™ Plus soffit must be sealed with polyurethane in corrosive atmospheres and should not be used in extreme corrosive industrial atmospheres and within 300mtrs of coastal locations with breaking surf.
- // Paint the surface with quality exterior grade paints adhere to the paint manufacturers' recommendation. The paint system should consist of a suitable sealer and two top coats.

The above points are not a guarantee to eliminate cracking of flushes joints.

### NOTE:

*Rigid fixings are required in conjunction with all Suspension Clips and Rods. Rigid fixing examples are Threaded Rod or appropriate Angles. Refer to your manufacturer for more information.*

## WIND LOAD TABLES - MAXIMUM FRAMING AND FASTENER SPACINGS

**DURALUX™ PLUS 4.5MM** \* Available in QLD only

| WIND CLASSIFICATION |                 | WITHIN 1200MM OF THE EXTERNAL CORNERS OF BUILDING |                           | ELSEWHERE IN THE BUILDING |                           |
|---------------------|-----------------|---|---------------------------|---------------------------|---------------------------|
| To AS4055-1992      | TO QLD STANDARD | MAX BATTEN SPACING (MM)                           | MAX FASTENER SPACING (MM) | MAX BATTEN SPACING (MM)   | MAX FASTENER SPACING (MM) |
| N1                  | W28N            | 450   | 300                       | 450                       | 300                       |
| N2                  | W33N            | 350   | 300                       | 450                       | 300                       |
| N3/C1               | W41N and C      | 300   | 300                       | 400                       | 300                       |
| N4/C2               | W50N and C      | 250   | 250                       | 350                       | 300                       |

Fastener spacing for 4.5mm Duralux™ Plus are based on using 2.0 x 30mm Galvanised Fibre Cement Nails. Fasteners used in 4.5mm Duralux™ Plus should not be countersunk. Locate fasteners not less than 12mm from sheet edge and 50mm from sheet corner.

### DURALUX™ PLUS 6MM

| WIND CLASSIFICATION |                 | WITHIN 1200MM OF THE EXTERNAL CORNERS OF BUILDING |                           | ELSEWHERE IN THE BUILDING |                           |
|---------------------|-----------------|---|---------------------------|---------------------------|---------------------------|
| To AS4055-1992      | TO QLD STANDARD | MAX BATTEN SPACING (MM)                           | MAX FASTENER SPACING (MM) | MAX BATTEN SPACING (MM)   | MAX FASTENER SPACING (MM) |
| N1                  | W28N            | 500   | 300                       | 600                       | 300                       |
| N2                  | W33N            | 500   | 300                       | 600                       | 300                       |
| N3/C1               | W41N and C      | 450   | 300                       | 600                       | 300                       |
| N4/C2               | W50N and C      | 400   | 150                       | 450                       | 300                       |
| N5/C3               | W60N and C      | 300   | 200                       | 450                       | 200                       |
| N6/C4               | W70N and C      | 300   | 100                       | 375                       | 200                       |

Fastener spacing for 6mm Duralux™ Plus are based on using 2.0 x 30mm Galvanised Fibre Cement Nails. Self Embedding Head Drill Point or Wafer Head Screws may be used in 6mm Duralux™ Plus. Locate fasteners not less than 12mm from sheet edge and 50mm from sheet corner.

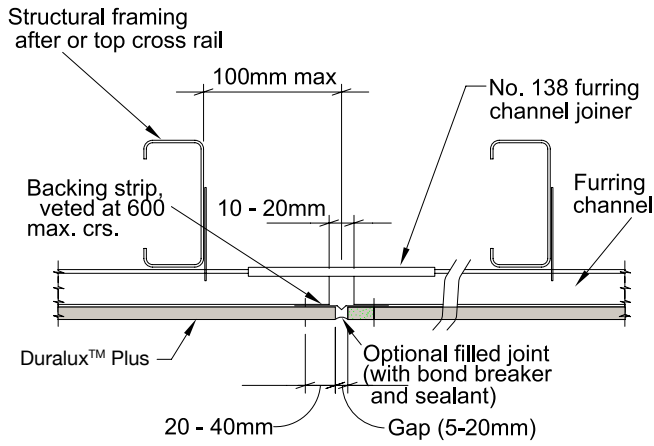
### DURALUX™ PLUS 9MM

| WIND CLASSIFICATION |                 | WITHIN 1200MM OF THE EXTERNAL CORNERS OF BUILDING |                           | ELSEWHERE IN THE BUILDING |                           |
|---------------------|-----------------|---|---------------------------|---------------------------|---------------------------|
| To AS4055-1992      | TO QLD STANDARD | MAX BATTEN SPACING (MM)                           | MAX FASTENER SPACING (MM) | MAX BATTEN SPACING (MM)   | MAX FASTENER SPACING (MM) |
| N1                  | W28N            | 600   | 300                       | 600                       | 300                       |
| N2                  | W33N            | 600   | 300                       | 600                       | 300                       |
| N3/C1               | W41N and C      | 600   | 250                       | 600                       | 300                       |
| N4/C2               | W50N and C      | 450   | 200                       | 600                       | 250                       |
| N5/C3               | W60N and C      | 450   | 150                       | 600                       | 200                       |
| N6/C4               | W70N and C      | 450   | 125                       | 450                       | 200                       |

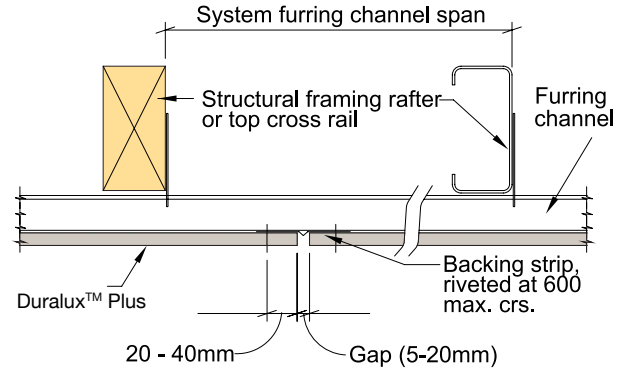
Fastener spacing for 9mm Duralux™ Plus are based on using 2.8 x 40mm Galvanised Fibre Cement Nails. Self Embedding Head Drill Point or Wafer Head Screws may be used in 9mm Duralux™ Plus. Locate fasteners not less than 12mm from sheet edge and 50mm from sheet corner.

# FRAMING & SHEET MODULE CONTROL JOINT - EXPRESSED JOINT

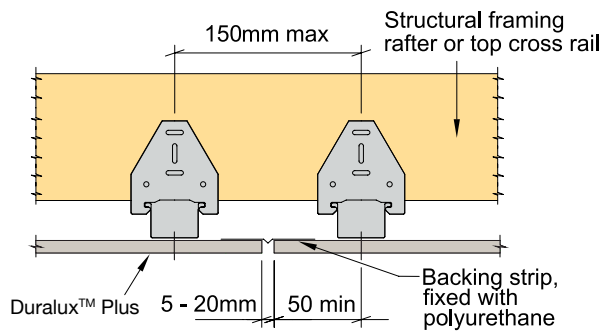
**FIGURE 7 //**  
STEEL WITH FURRING CHANNEL JOINER



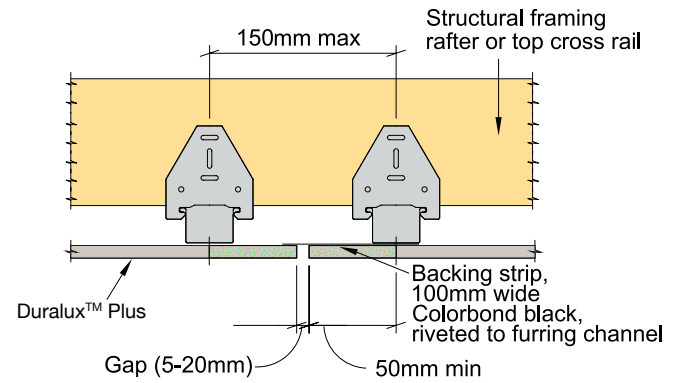
**FIGURE 8 //**  
STEEL AND TIMBER



**FIGURE 9 //**  
BACKING STRIP FIXED WITH POLYURETHANE



**FIGURE 10 //**  
BACKING STRIP RIVETED



## LIGHTING

Care needs to be taken with ceiling installations particularly when a low angle of incidence (critical lighting) is used.

AS/NZ 2589:2007 'Gypsum Linings In Residential And Light Commercial Construction - Application And Finishing - Gypsum Plasterboard' gives a guide to framing and finishing requirements under various lighting conditions.

It is recommended designers give consideration to the following details to control or eliminate problems due to critical lighting conditions:

- // Ensure that the ceiling support structure is flat and true
- // Use matt or textured surface finishes
- // Use light fittings that are set into the ceiling (eliminating incident light)
- // Use of shades or diffusers with light fittings
- // Position hanging light fittings well below the ceiling

## CERAMIC WALL TILING

Duralux™ Plus sheets used as a substrate for Ceramic wall tiles must be fixed to the framing with either screws or nails. Adhesive fixing of sheets is not acceptable for tiled applications. Framing must support all sheet edges.

For the layout and fixing of wall tiles follow the tile manufacturer's instructions. BGC recommend the use of a flexible tile adhesive complying with Part 1 of Australian Standard AS 2358. In some tropical regions flexible adhesives may not be suitable – check with tile merchant or adhesive manufacturer for recommendations.

## PAINTING

To enhance both the appearance and performance of Duralux™ Plus, BGC recommend that at least three coats of paint be applied. The paint manufacturer's recommendation on application and maintenance of the paint system should be followed.

## MAINTENANCE

When used in accordance with this literature, Duralux™ Plus requires no direct maintenance. However in wet areas, regular checks (at least annually) must be made of the tiling system to ensure it remains watertight. Cracked or damaged tiles, tile grout, or sealants must be repaired immediately. Grout or sealant likely to allow leakage must be raked out and restored to original condition.

Damaged sheets should be replaced as originally installed.

## BUSHFIRE INFORMATION

Duralux™ Plus may be used in a Soffit/Eaves application up to BAL40. For more information, contact your local BGC Fibre Cement office.

## WARRANTY

We warrant that our products are free from defects caused by faulty manufacture or materials for the following period from the date of purchase:

- 25 years for the Nuline™ Plus, Stratum™ and Duraplank™ ranges
- 10 years for the Montage™ range and
- 15 years for all other BGC Fibre Cement and Innova™ ranges

If you acquire any defective products, we will repair or replace them, supply equivalent replacement products or refund the purchase price within 30 days of receiving a valid claim, subject to product inspection and confirmation of the existence of a defect by BGC. We will bear the cost of any such repair, replacement or refund.

This warranty is given by:

### **BGC Fibre Cement Pty Ltd**

Ground Floor, 290 Bushmead Road, Hazelmere WA 6055  
Phone 08 9374 2900 Fax 08 9374 2901

To claim under this warranty, you must provide proof of purchase as a consumer and make a written claim (including any costs of claiming) to us at the address specified above within 30 days after the defect was reasonably apparent, or if the defect was reasonably apparent prior to installation, the claim must be made prior to installation. You may not claim under this warranty for loss or damage caused by:

- faulty or incorrect installation by non-BGC installers (BGC's installation procedures are at [www.bgcinnovadesign.com.au](http://www.bgcinnovadesign.com.au));
- failure to comply with the Building Code of Australia or any applicable legislation, regulations approvals and standards;
- products not made or supplied by BGC;
- abnormal use of the product; or
- normal wear and tear.

The benefits available under this warranty are in addition to other rights and remedies of the consumer under the law. Our goods come with guarantees that cannot be excluded under the Australian Consumer Law. You are entitled to a replacement or refund for a major failure and for compensation for any other reasonably foreseeable loss or damage.

You are also entitled to have the goods repaired or replaced if the goods fail to be of acceptable quality and the failure does not amount to a major failure.

A series of horizontal dashed lines for writing notes.

TO CONTACT  
YOUR NEAREST  
BGC STOCKIST,  
PLEASE CALL:

ADELAIDE  
TELEPHONE  
08 8480 1700

BRISBANE  
TELEPHONE  
07 3548 8400

MELBOURNE  
TELEPHONE  
03 9492 1700

PERTH  
TELEPHONE  
08 9374 2900

SYDNEY  
TELEPHONE  
02 8107 9500

NEW ZEALAND  
TELEPHONE  
0011 64 9273 1457

TECHNICAL HELP LINE  
1300 652 242

[BGCINNOVADESIGN.COM.AU](http://BGCINNOVADESIGN.COM.AU)

## BGC FIBRE CEMENT PROVIDES BUILDERS, DEVELOPERS AND ARCHITECTS WITH A RANGE OF DESIGN ALTERNATIVES AND INNOVATIVE PRODUCTS, SUCH AS:

### EXTERIOR PRODUCTS AND APPLICATIONS INNOVA RANGE OF PRODUCTS

**DURACOM™** / A compressed fibre cement facade system.

**DURAFLOOR™** / Is the ultimate flooring product that can be used in both interior and exterior applications.

**DURAGRID™ RESIDENTIAL & DURAGRID™ LIGHT COMMERCIAL** / A light weight facade giving a modern and durable finish.

**DURAGROOVE™** / A vertically grooved exterior facade panel.

**DURASCAPE™** / A lightweight exterior facade base sheet with a subtle vertical shadow line.

**NULINE™ PLUS** / A weatherboard style cladding system.

**DURACOM GREYSTONE™** / A pre-finished facade system.

**MONTAGE™** / A pre-finished versatile facade system that can be used internally and externally.

**STONESHEET™** / Purpose designed substrate for stone tile facade.

**STRATUM™** / Is a trio of plank products, each of which can be used as stand alone products or used together to create a striking exterior cladding solution.

### INTERIOR PRODUCTS AND APPLICATIONS BGC FIBRE CEMENT RANGE OF PRODUCTS

**DURALUX™ PLUS** / An interior lining board suitable for ceilings and soffits.

**DURALINER™ PLUS** / An interior lining board, this is the perfect substrate for tiles and is ideal for wet areas.

### EXTERIOR PRODUCTS AND APPLICATIONS BGC FIBRE CEMENT RANGE OF PRODUCTS

**DURASHEET™** / Ideal for the cladding of gables and lining of eaves. Can also be used on commercial soffits and cladding on non impact areas.

**DURAPLANK™** / Available in Smooth, Woodgrain and Rusticated finishes, Duraplank™ is ideal for exterior cladding of upper storey conversions or ground level extensions.

**DURATEX™** / A base sheet used for textured coatings on exterior wall applications.

**COMPRESSED** / Used for domestic, commercial sheet for wet areas, flooring, partitions, exterior decking, fascia and facade cladding.

**DURALUX™ PLUS** / Suitable for exterior applications where it will be sheltered from direct weather.

**DURALINER™ PLUS** / Suitable for exterior applications where it will be sheltered from direct weather.

Build it better with **BGC**

**BGC**

Fibre Cement

**Safe working practices** - Please wear a P1 or P2 mask and safety goggles (approved to AS/NZW1337 standards) whilst cutting or installing Duralux™ Plus. Duralux™ Plus can be safely handled during unloading or stacking without the use of these precautions.

**Cleaning up** - Always wet down your work area when cutting Duralux™ Plus, to ensure that dust is managed. Dispose of any vacuumed dust with care and using containment procedures.