

# KEY-PLY



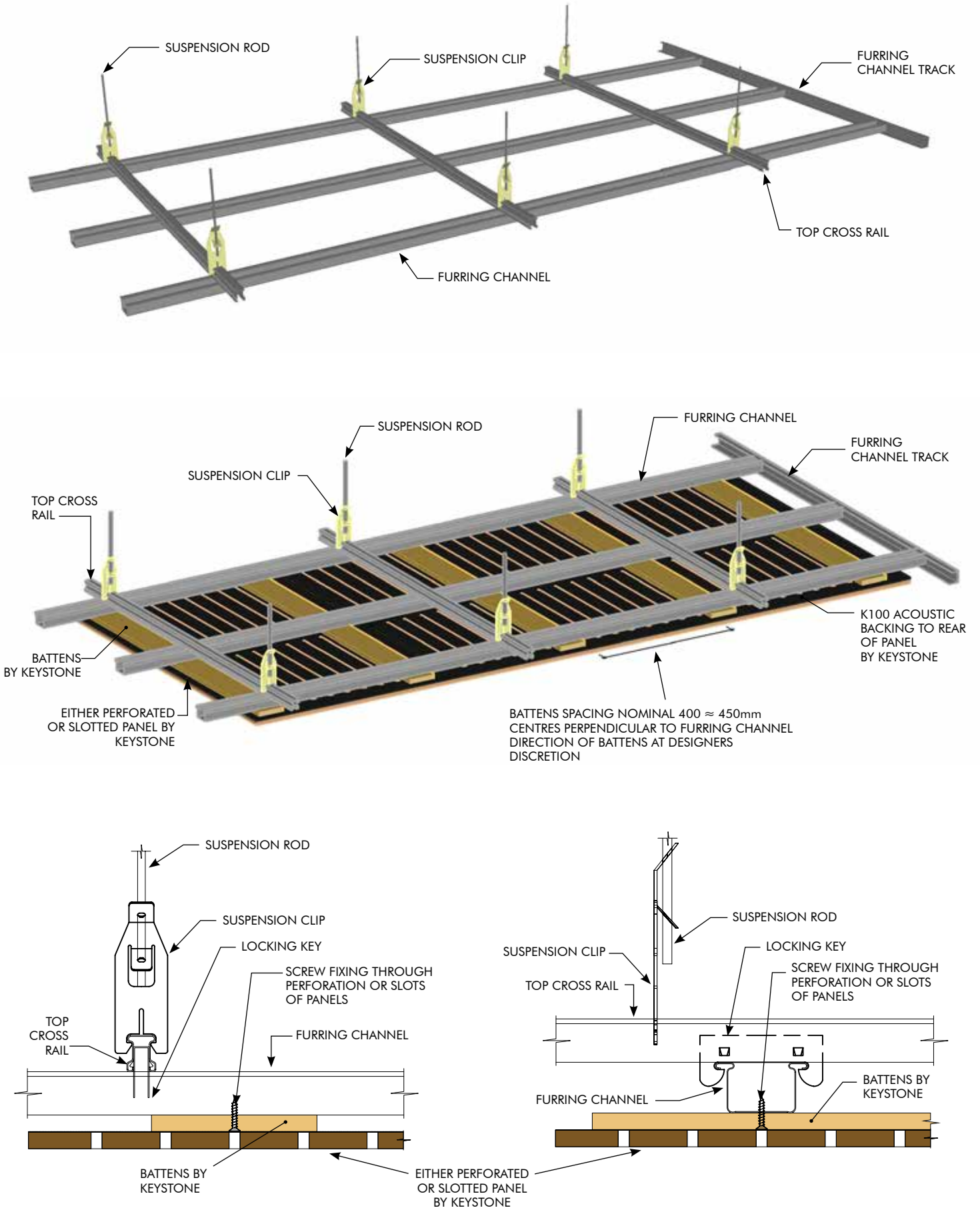
*We bring Architects Imagination to Life*

[www.KeystoneLinings.com.au](http://www.KeystoneLinings.com.au)

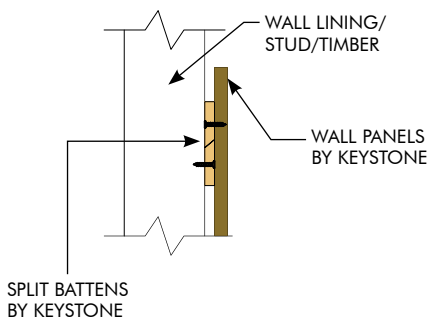
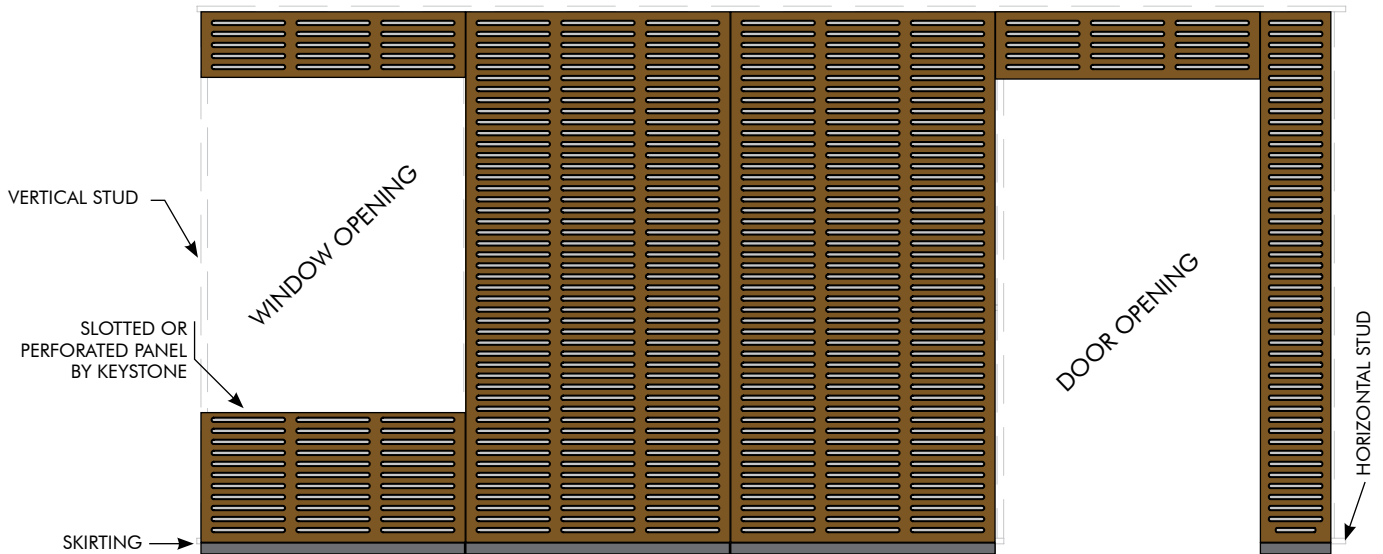
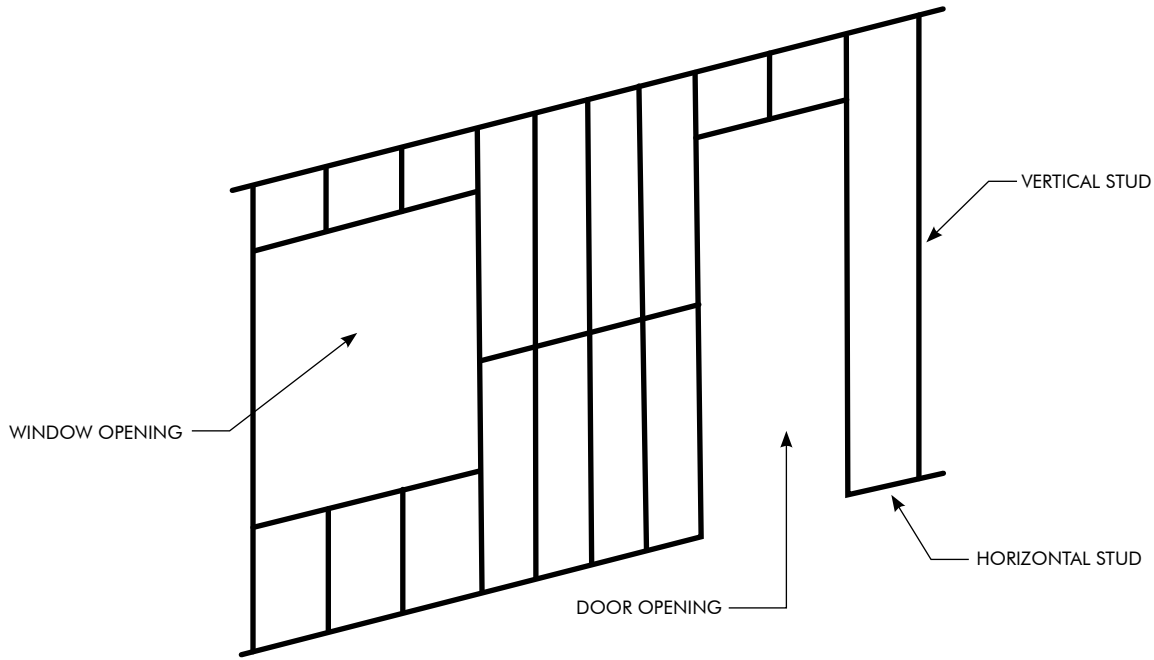


# INSTALLATION GUIDE CEILING & WALLS

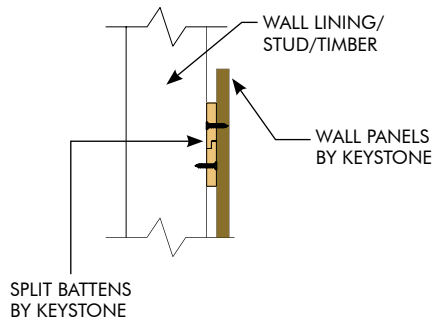
# KEY-PLY INSTALLATION GUIDE - CEILING



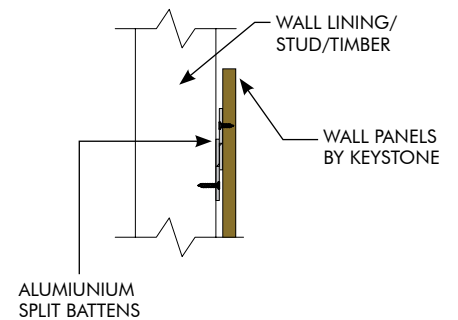




**BATTENS TYPE 12M**  
12MM MDF BATTENS MITRED



**BATTENS TYPE 12R**  
12MM MDF BATTENS REBATED



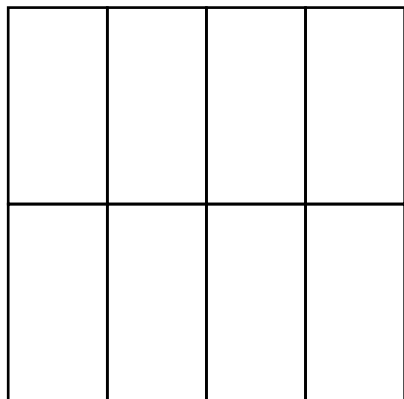
**BATTENS SLIM LINE**  
ALUMINIUM SPLIT BATTENS



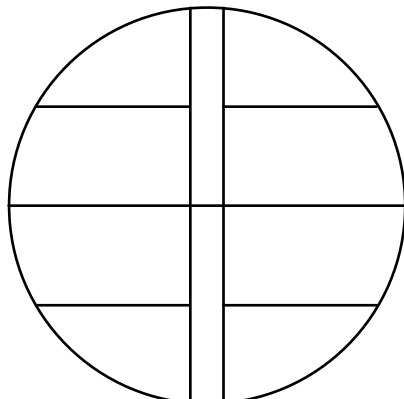
# KEY-PLY

PANEL LAYOUT OPTIONS - CEILING AND WALL

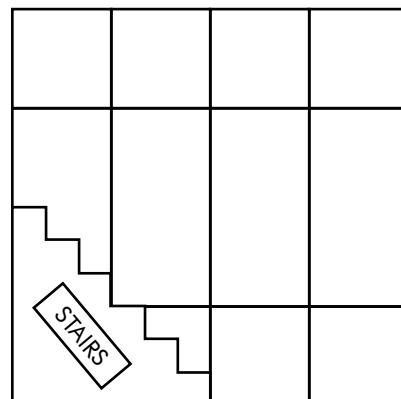
STANDARD VERTICAL LAYOUT



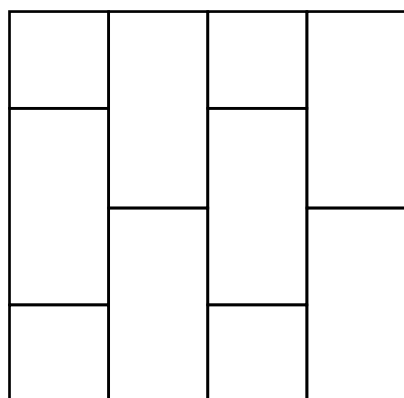
SHAPED PANELS LAYOUT



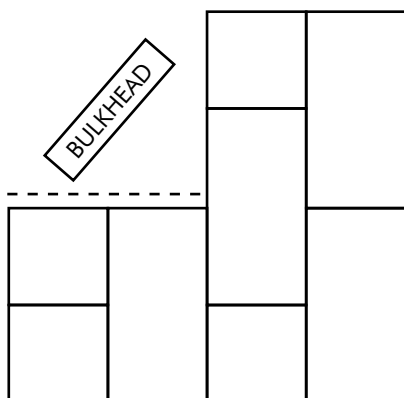
STANDARD VERTICAL LAYOUT



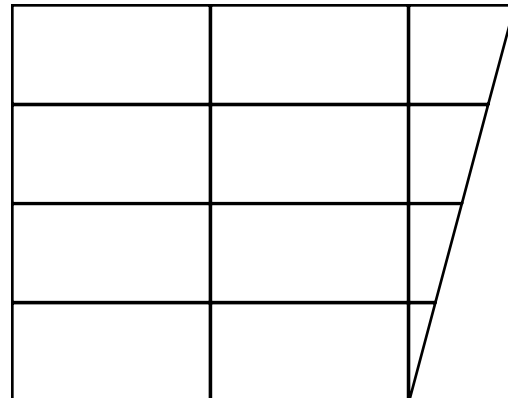
STANDARD VERTICAL BRICK PATTERN



STANDARD VERTICAL BRICK PATTERN BULKHEAD



STANDARD HORIZONTAL LAYOUT - SHAPED PANELS





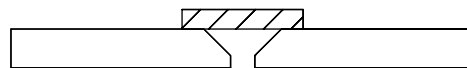
## KEY-PLY EDGE DETAIL AND JOINT OPTIONS

ED - 10/S  
ED - 15/S



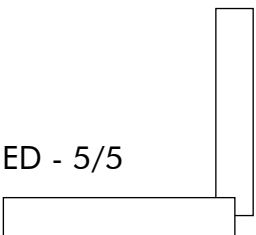
- Express Joint Detail - Square edge
- 50MM X 0.7MM Black Laminate Strips

ED - 3/45NM  
ED - 5/45NM



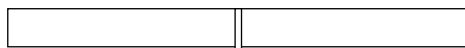
- 45° Negative Mitre Detail

ED - 5/5



- 5mm Birds Beak Detail

ED - 1.5/1.5B  
ED - 3/3B

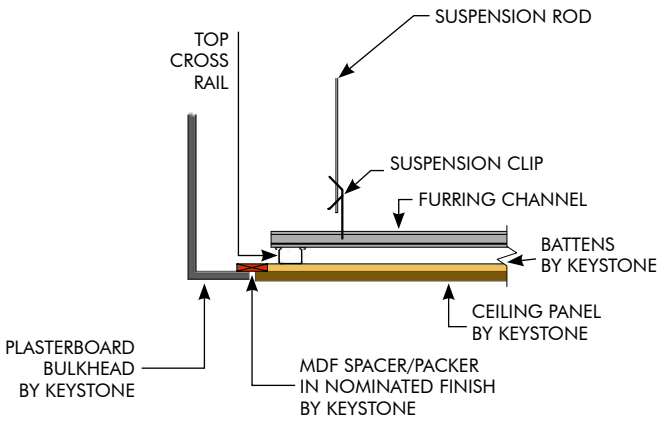


- Aluminium Joint Detail

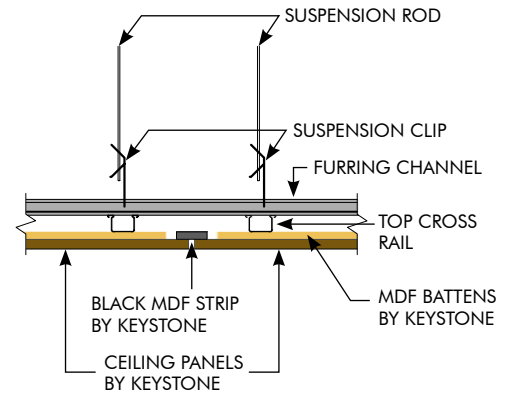
ED - 3/1.5V  
ED - 6/3V



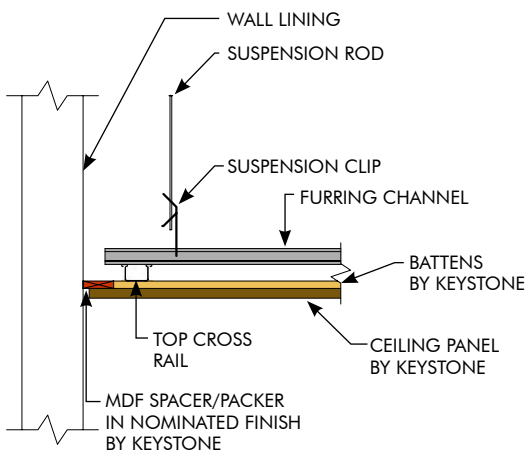
- 45° Arris Joint Detail



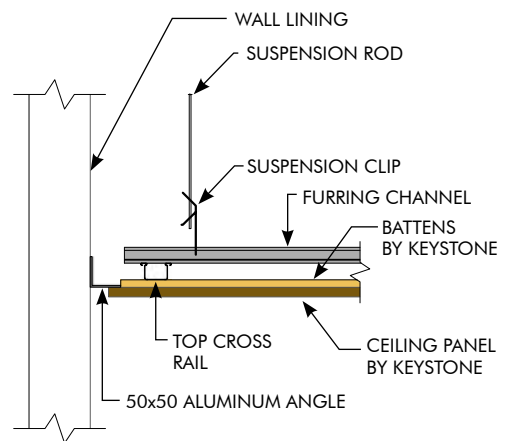
**PLASTERBOARD & CEILING PANEL JUNCTION**



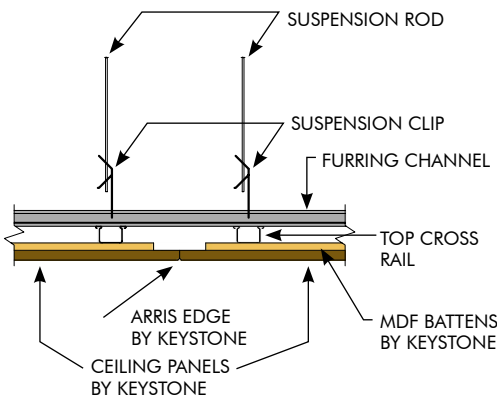
**EXPRESS JOINT DETAIL**



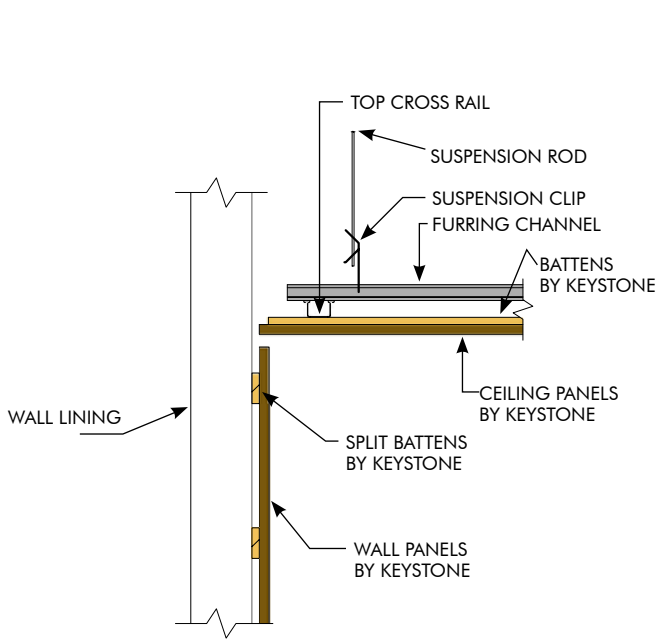
**CEILING PANEL AT WALL JUNCTION (TYPE 1) MDF SPACER/PACKER**



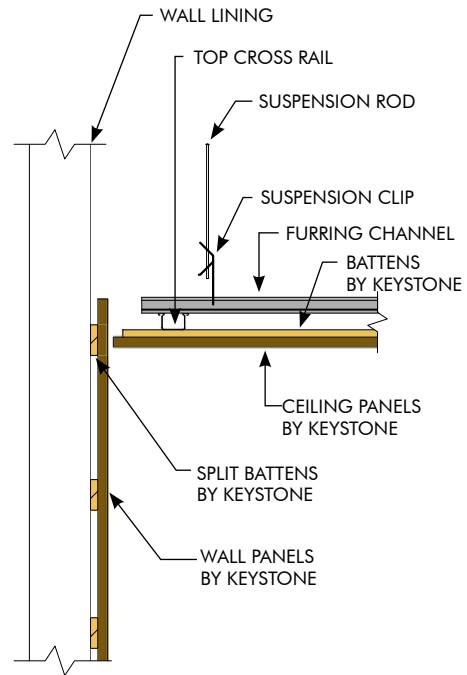
**CEILING PANEL AT WALL JUNCTION (TYPE 2) ALUMINUM ANGLE**



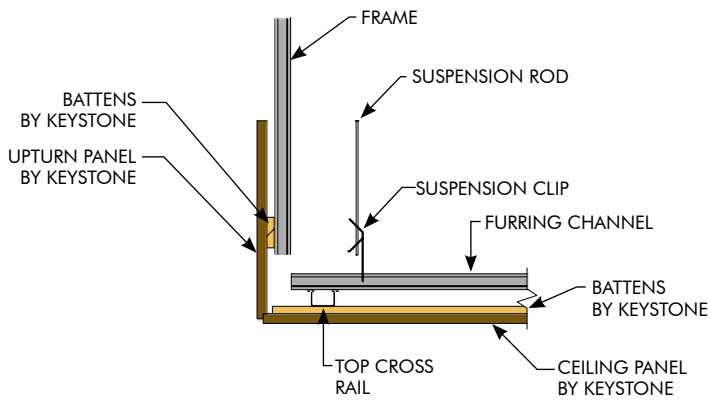
**ARRISED CORNER BUTT JOINT DETAIL**



**CEILING PANEL AT WALL JUNCTION  
(TYPE 4)**



**CEILING PANEL AT WALL JUNCTION  
(TYPE 3)**



**CEILING PANEL AT WALL JUNCTION  
BIRDS BEAK DETAIL  
(TYPE 5)**



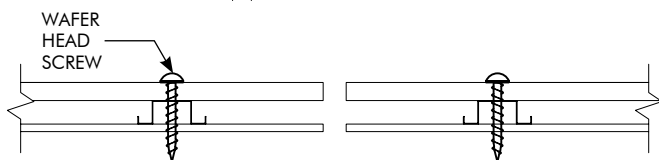
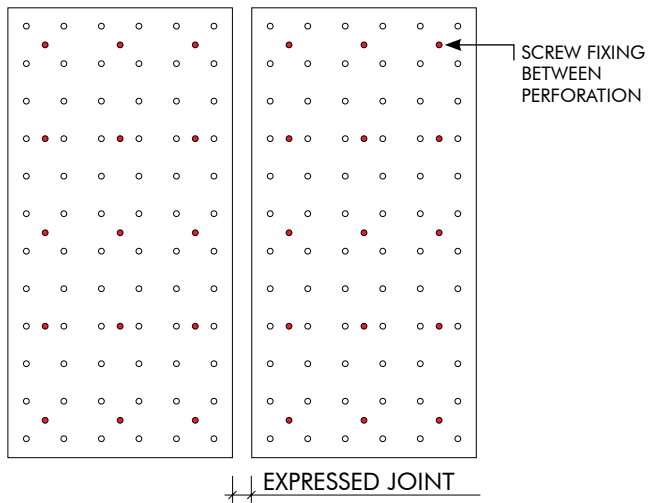


Chrismont Winery, Cheshunt, VIC

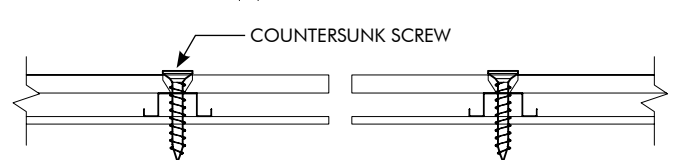
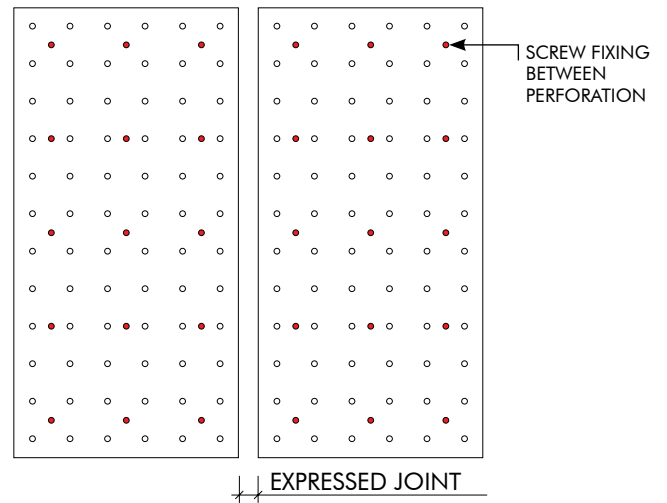
# KEY-PLY

## EXPOSED FIXING OPTIONS - CEILING & WALLS

### EXPOSED FACE FIXING - WAFFER HEAD SCREWS



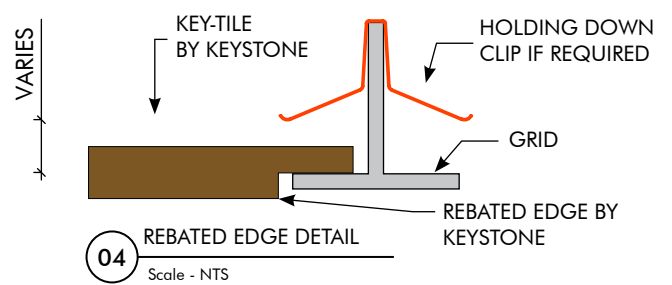
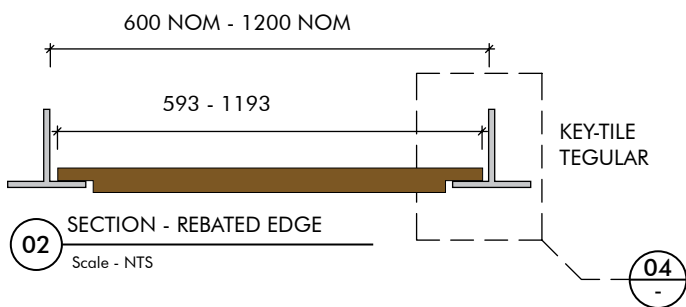
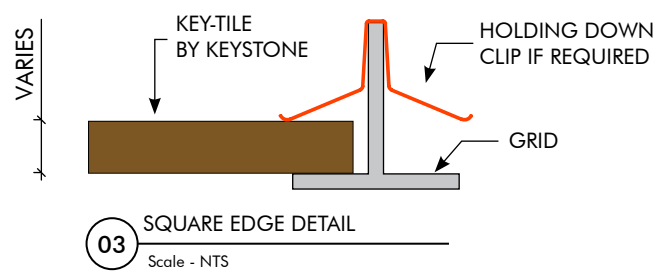
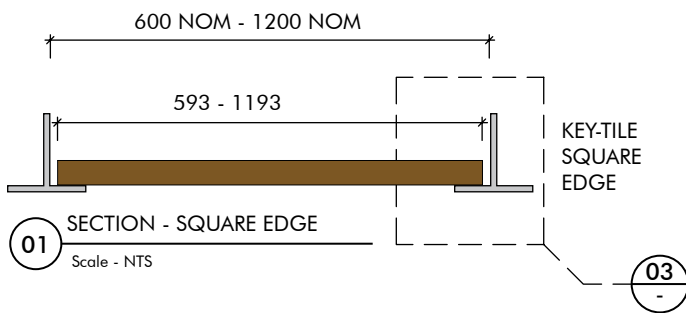
### EXPOSED FACE FIXING - COUNTERSUNK SCREWS





# KEY-PLY

## KEY-TILE - CEILING TILES - D.I.T.



KEY-TILE			
	12mm	16mm	18mm
1193 x 593	✓	✓	✓
593 x 593	✓	✓	✓
Weight (Kg/m2)	Refer To Sheet Size Guide		

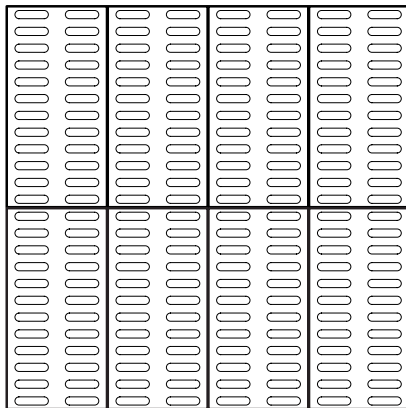




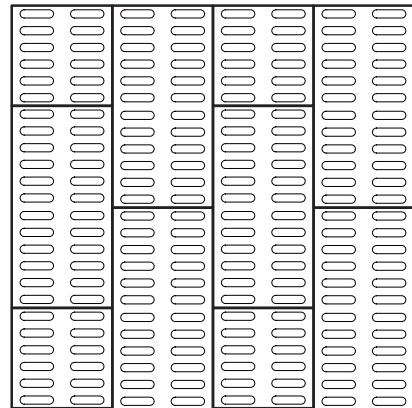
# KEY-PLY

## KEY - TILE - CEILING TILES - D.I.T. LAYOUT OPTIONS

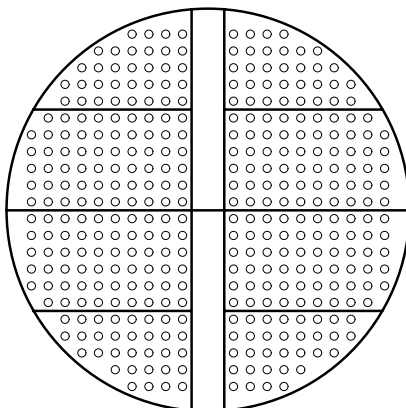
STANDARD LAYOUT



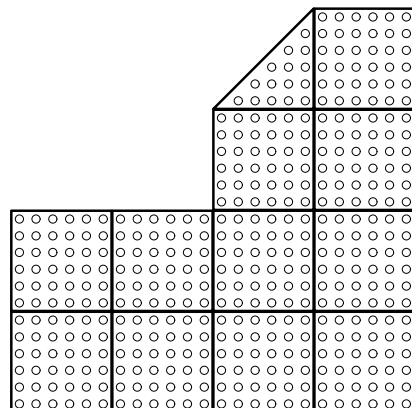
BRICK PATTERN



SHAPED LAYOUT



STANDARD LAYOUT





SOUTH AUSTRALIA DRILL CORE LIBRARY,  
CLOVELLY PARK, SA





MEMORIAL DRIVE TENNIS PRECINCT



PIMPALA PRE SCHOOL



KILDARE CATHOLIC COLLEGE



PARKES LIBRARY





Level 1, 7-8 Davis Road,  
Wetherill Park, NSW 2164  
02 9604 8813  
[www.KeystoneLinings.com.au](http://www.KeystoneLinings.com.au)