



RESIDENTIAL AWNING WINDOWS



**SYDNEY**  
38 Redfern St,  
Wetherill Park  
Sydney, NSW 2164  
Australia  
Ph: +61 2 9609 2555  
Fax: +61 2 9404 2910

[www.doric.com.au](http://www.doric.com.au)

**AUCKLAND**  
26/C Triton Drive,  
Albany, North Shore,  
New Zealand 0632  
Auckland  
Ph: +64 9 415 5535  
Fax: +64 9 415 5545

[www.doricnz.co.nz](http://www.doricnz.co.nz)

**KUALA LUMPUR**  
No. 17 Jalan 51/203A,  
Kawasan Perindustrian Tiong  
Nam, Sekseyen 51, 46050  
Petaling Jaya, Selangor,  
Ph: +60 3 7845 5017  
Fax: +60 3 7845 5014

[www.doric.com.my](http://www.doric.com.my)

## NEW DS1 CHAINWINDER

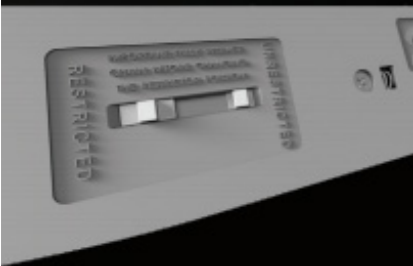


# NEW DS1 Chainwinder



## Features

### Chain Restriction Switch



#### Chain Restriction Switch

Inbuilt Restriction switch to easily restrict chain length where window restriction is required.

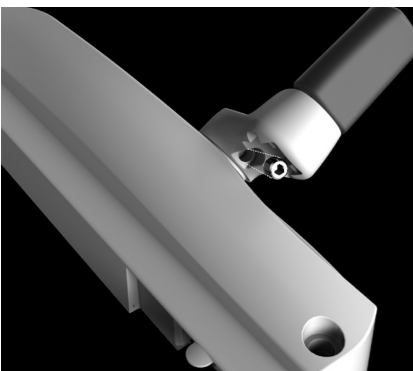
### Lock Indicator



#### Lock Indicator and 6 disc Cylinder

Allows you to clearly see if the winder is in the locked or unlocked position.

Can be keyed alike to other Doric window or door products.



#### Handle Arm with Adjustable Spline

Handle can be orientated to match other winders in the house.

Simply loosen handle grub screw and resecure handle in the desired position.

### Fold Down Handle



#### Ergonomic Fold Down Handle

Designed to compliment the shape of the winder. Simply pull to fold down.

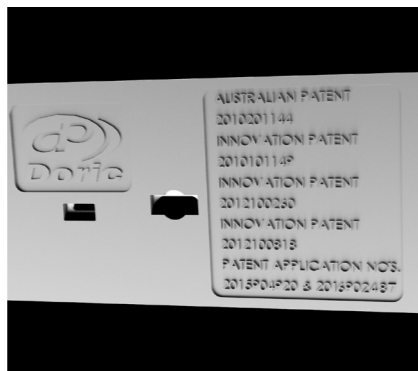
### Easy Link Attachable Sash Plate



#### Easylink Attachable Sash Plate

Easylink is a simple one way fitment to simplify Chainwinder installation.

Easylink improves manufacturing productivity by reducing installation time.



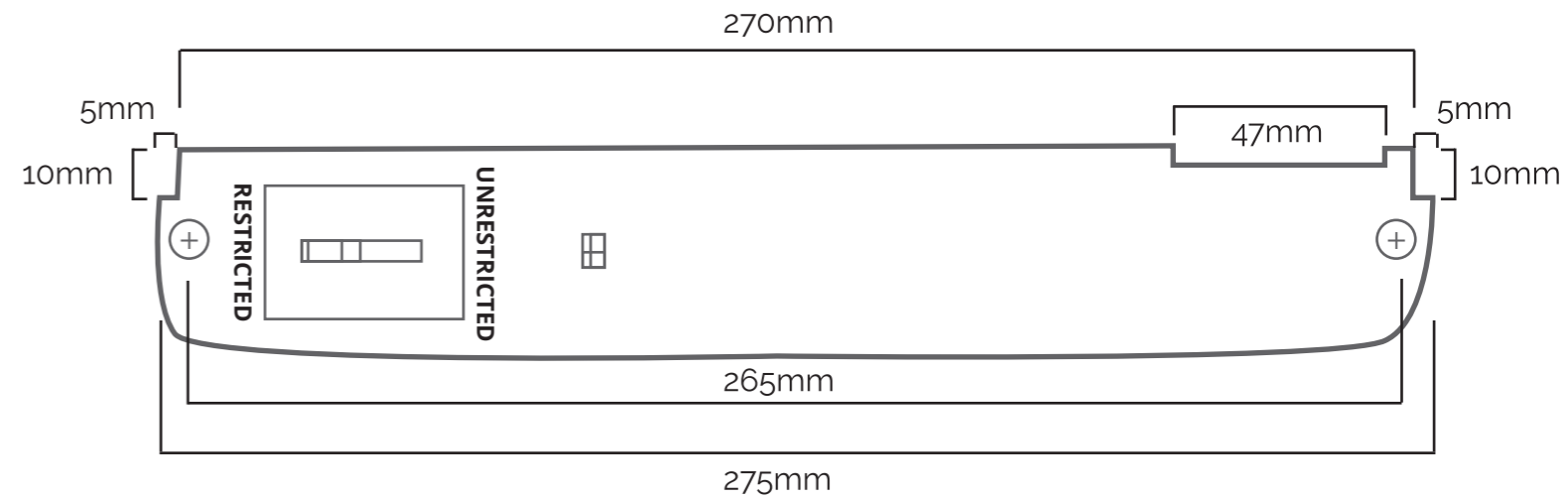
#### Industry Recognised Patents and Registered Designs

## Assembly - Technical Information



Durable Polesium powdercoat construction and corrosion resistant Stainless Steel Chain exceeds AS2331.1.1 720 hour neutral salt spray test  
Cycle tested on a 30kg window to over 30,000 cycles  
Industry Standard fixing locations

### Industry Standard Dimensions & Hole Pitching



#### Fixing screws

Not included with winder  
Screw pack available separately. Part Number 9031810

### Additional Model to Range

## DS2 Non-Keyed Chainwinder

