

CAROMA

Made For Life



Luna

Collection



At Caroma, we believe bathrooms are more than just functional spaces - they're integral parts of our daily lives. For over 80 years, we have dedicated ourselves to creating purpose-built products and solutions that are designed for living and built for life.

As leaders in the industry, we put people at the heart of everything we do. The Caroma team is committed to developing inspiring and innovating products for all needs, using our knowledge and expertise to ensure every detail enhances the way we all live.



Our products have been designed and stringently tested at our dedicated Design & Innovation Centre in Sydney.



Enjoy peace of mind with extensive warranties across Caroma Collections, with up to 20 years warranty.



CAROMA
CLEANFLUSH®

Our patented rimless toilet technology delivers a whole bowl clean with no splashback.



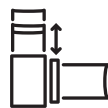
CAROMA
GERMGARD®

A unique antimicrobial formula that kills harmful bacteria, preventing the spread of nasty germs.



CAROMA
**UNI-ORBITAL®
CONNECTOR**

Our patented connectors overcome installation issues by allowing for a flexible 50mm radius for connection.



CAROMA
**ADJUSTABLE
FLUSHPIPE**

Quickly realign the water inlet of your Invisi II in-wall cistern without damaging your wall.

*See www.caroma.com.au for full warranty details

CAROMA
Made For Life



Loved by Australians for its proven reputation, high-quality construction, durability and longevity, the timeless Luna Collection is the perfect fit for your bathroom.

Available in a range of classic designs with on-trend colour finishes, you can find the right combination to fit your vision.



HIGH QUALITY CERAMIC

The full Luna Collection features carefully chosen materials to keep up with the hustle and bustle of daily life in the bathroom. Enjoy the benefits of hardy Vitreous China across basins and toilets, easy to clean acrylic finishes for baths and high quality brass fixtures for showers and tapware.



LEAK TESTED

All tapware and showers are extensively tested at our in-house testing facility for any potential leaks.



CHROME



SATIN BLACK



BRUSHED NICKEL



BRUSHED BRASS

COLOUR

Bring a splash of colour to your bathroom with chrome, brushed nickel, satin black and brushed brass available across the collection.



LOAD TESTED

At Caroma, we pride ourselves at going above and beyond the standards, with Caroma wall basins tested to withstand excess load up to 150kg and toilet pans at 400kg.

Luna
Collection

Luna Collection

CAROMA
Made For Life



CAROMA

Basins

Luna basins are curved and classic in their design, making them a stylish choice for your bathroom that will stand the test of time. With many style and size options available, you'll be spoilt for choice when selecting basins for a small ensuite through to a large family bathroom.

ABOVE COUNTER BASIN

Above counter basins are installed directly on top of a vanity with minimal installation requirements.

INSET BASIN

Inset basins are partially set into a vanity reducing the appearance of the basin rim without reducing the depth of the bowl.

SEMI RECESSED BASIN

Semi recessed basins partially overhang the vanity allowing you to maximise your basin size on applications with limited vanity space.

WALL BASIN

Wall basins are installed directly to the wall with no need for an additional vanity.



EASY TO CLEAN



COMPLEMENTARY DESIGN



HIGH QUALITY CERAMIC



LOAD TESTED



**LUNA ABOVE
COUNTER BASIN**

0 taphole
899000W



LUNA SEMI RECESSED BASIN

1 taphole
873615W
0 taphole
873605W
0 taphole
(without tap landing)
873500W



**LUNA INSET BASIN
WITHOUT TAP LANDING**

0 taphole
899105W



LUNA INSET BASIN

1 taphole
899215W
3 taphole
899235W
0 taphole
899205W





**LUNA UNIVERSAL
INSET BASIN**

1 taphole
899615W



LUNA WALL BASIN

1 taphole
874215W

3 taphole
874235W

0 taphole
874205W



LUNA SHELF WALL BASIN

1 taphole
873915W

3 taphole
(right hand shelf)
873935W

0 taphole
873905W



LUNA HAND WALL BASIN

1 taphole
873715W

0 taphole
873705W

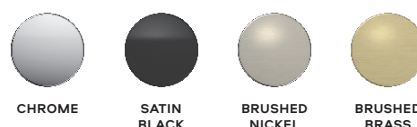




Mixers and Tapware

The subtle curves of the Luna mixer range bring a modern but timeless feel to your bathroom.

Updating your tapware is a quick and easy way to modernise your bathroom. The Luna tapware range has been designed to aesthetically complement the basins with a range of on trend and popular finishes, making it the perfect addition to any new bathroom. The curved shape makes for easy cleaning and care.





LUNA BASIN MIXER

Chrome 68181C6A Brushed Nickel 68181BN6A

Satin Black 68181BL6A Brushed Brass 68181BB6A

WELS 6 star rated, 4.5L/min



LUNA MID BASIN MIXER

Chrome 68182C6A

Satin Black 68182BL6A

WELS 6 star rated, 4.5L/min



LUNA TOWER BASIN MIXER

Chrome 68183C6A Brushed Nickel 68183BN6A

Satin Black 68183BL6A Brushed Brass 68183BB6A

WELS 6 star rated, 4.5L/min



LUNA WALL BASIN/BATH MIXER

Chrome 68186C6A Brushed Nickel 68186BN6A

Satin Black 68186BL6A Brushed Brass 68186BB6A

WELS 6 star rated, 4.5L/min

*Unrestricted aerator included for bath installations



LUNA BASIN/BATH SPOUT

Chrome 68187C6A Brushed Nickel 68187BN6A

Satin Black 68187BL6A Brushed Brass 68187BB6A

WELS 6 star rated, 4.5L/min

*Unrestricted aerator included for bath installations



LUNA BATH/SHOWER MIXER

Chrome 68184C Brushed Nickel 68184BN

Satin Black 68184BL Brushed Brass 68184BB





LUNA BATH/SHOWER MIXER WITH DIVERTER

Chrome 68185C	Brushed Nickel 68185BN
Satin Black 68185BL	Brushed Brass 68185BB



LUNA LEVER WALL BASIN SET

Chrome
90333C5A

Satin Black
90333BL5A

WELS 5 star rated, 6L/min



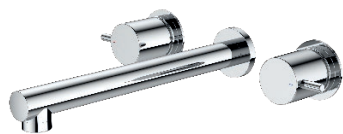
LUNA LEVER BASIN SET

Chrome
90334C5A

Satin Black
90334BL5A

WELS 5 star rated, 6L/min





LUNA LEVER BATH SET

Chrome
90331C
Satin Black
90331BL



LUNA LEVER WALL TOP ASSEMBLIES

Chrome
90332C
Satin Black
90332BL



LUNA LEVER LAUNDRY SET

Chrome
90331C4A
Satin Black
90331BL4A



WELS 4 star rated, 7.5L/min



LUNA LEVER WASHING MACHINE SET

Chrome
90336C
Satin Black
90336BL





CARORA



Showers

A sleek, modern shower will not only enhance the appearance of any bathroom but also your daily bathing experience.

Our Luna range of eco-friendly showers are engineered with a superior water saving rating, without any compromise on performance.

FIXED SHOWER

A fixed arm with a pivoting head either from the wall or ceiling for a clean stylish look.

HAND SHOWER

Provides added functionality to a fixed wall option with the ability to remove the handpiece.

SHOWERS ON RAILS

Convenient, adjustable height rail for ultimate control.



CHROME



SATIN
BLACK



BRUSHED
NICKEL



BRUSHED
BRASS



WATER FLOW
EFFICIENCY

Applicable to Rail
and Hand Showers



LEAK TESTED



ELECTROPLATED
WARRANTY



BRASS



COMPLEMENTARY
DESIGN



LUNA FIXED OVERHEAD SHOWER

Chrome 90391C4E Brushed Brass 90391BB4E

Satin Black 90391BL4E Brushed Nickel 90391BN4E

WELS 4 star rated, 7.5L/min



LUNA OVERHEAD SHOWER HEAD

Chrome 90386C4E Brushed Brass 90386BB4E

Satin Black 90386BL4E Brushed Nickel 90386BN4E

WELS 4 star rated, 7.5L/min



LUNA RIGHT ANGLE SHOWER ARM

Chrome 90390C Brushed Brass 90390BB

Satin Black 90390BL Brushed Nickel 90390BN



LUNA STRAIGHT ARM FLANGE 210MM

Chrome 90388C Brushed Brass 90388BB

Satin Black 90388BL Brushed Nickel 90388BN

LUNA STRAIGHT ARM FLANGE 410MM

Chrome 90389C Brushed Brass 90389BB

Satin Black 90389BL Brushed Nickel 90389BN





LUNA OVERHEAD SHOWER SYSTEM ON RAIL

Chrome 90383C4E	Brushed Brass 90383BB4E
Satin Black 90383BL4E	Brushed Nickel 90383BN4E

WELS (Overhead) 4 star rated, 7.5L/min
+ WELS (Hand) 5 star rated, 6L/min



LUNA MULTI-FUNCTION RAIL SHOWER

Chrome 90384C4F	Brushed Brass 90384BB4F
Satin Black 90384BL4F	Brushed Nickel 90384BN4F

WELS 5 star rated, 6L/min



LUNA MULTI-FUNCTION HAND SHOWER

Chrome 90385C4F	Brushed Brass 90385BB4F
Satin Black 90385BL4F	Brushed Nickel 90385BN4F

WELS 5 star rated, 6L/min



LUNA ADJUSTABLE SHOWER AND ARM

Chrome 90304C3A
Satin Black 90304BL3A

WELS 3 star rated, 9L/min





Baths

Our range of Luna baths feature soft lines for a modern, minimalistic look. The gentle recline allows you to lie back and relax in style.

FREESTANDING BATH

The Luna freestanding bath is only 1400mm in length, meaning that even small bathrooms can have this luxurious style of bath.

BACK TO WALL FREESTANDING BATH

The Luna back to wall bath combines the luxury of a freestanding bath with the practicalities of an island bath. Sitting flush to the wall means it is not only easy to clean but opens up the choice of tapware to wall bath mixers.

ISLAND BATHS

Island baths are recessed into a constructed frame which is usually finished using tiles or stone leaving only the small raised rim of the bath visible. The island bath offers extra room around the bath, perfect for candles, a sitting ledge, or the kids' toys.

FOUR TILE FLANGE BATHS

This style is necessary for a bath that will also be used as a shower. It works to redirect the shower spray run-off directly back into the bath without the moisture damaging the walls.



STAIN RESISTANT



EASY TO CLEAN



ACRYLIC



COMPLEMENTARY DESIGN



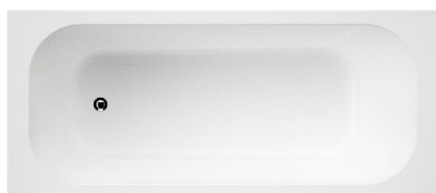
LUNA 1525 ISLAND BATH

LU5ISW



LUNA 1525 FOUR TILE FLANGE BATH

LU5W



LUNA 1675 ISLAND BATH

LU7ISW





LUNA 1675 BATH
LU7W



LUNA 1400 FREESTANDING BATH
LU4FSW



LUNA 1400 BACK TO WALL BATH
LU4WFW



Toilet Suites

Our Luna range of toilet suites feature Caroma patented CleanFlush® technology. Caroma CleanFlush® is our most effective and hygienic toilet. Our patented design features revolutionary rimless technology that delivers the next generation of toilets: easy to clean and water efficient with superior hygiene.

INVISI WALL FACED TOILET SUITES (BEHIND THE WALL / CONCEALED)

The toilet pan sits on the floor and is connected to a cistern concealed inside the wall cavity, ceiling or under counter.

WALL FACED TOILET SUITE (OR BACK TO WALL)

The toilet pan sits flush to the wall with the cistern mounted directly on top.

CLOSE COUPLE TOILET SUITE

The toilet pan sits on the floor with the cistern mounted directly on top, leaving a small gap between the pan and the wall.



CAROMA
CLEANFLUSH®



CAROMA
GERMGARD®

Applied to seat

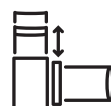


LOAD TESTED



CAROMA

UNI-ORBITAL®
CONNECTOR



CAROMA

ADJUSTABLE
FLUSHPIPE



EASY CLEAN
DROP ZONE



SOFT CLOSE



**LUNA CLEANFLUSH®
WALL FACED TOILET SUITE**

WELS 4 star rated,
4.5/3L (3.5L avg/flush)

Bottom Inlet* 844810W
Back Entry* 844820W



**LUNA SQUARE CLEANFLUSH®
WALL FACED TOILET SUITE**

WELS 4 star rated,
4.5/3L (3.5L avg/flush)

Bottom Inlet* 846410W
Back Entry* 846420W



**LUNA CLEANFLUSH® WALL FACED
INVISI SERIES II® TOILET SUITE**

WELS 4 star rated,
4.5/3L (3.5L avg/flush)

Back Entry* 844910W





**LUNA CLEANFLUSH®
CLOSE COUPLED
P TRAP TOILET SUITE**

WELS 4 star rated,
4.5/3L (3.5L avg/flush)

P Trap Bottom Inlet* 844720W

P Trap Back Entry* 844740W



**LUNA CLEANFLUSH®
CLOSE COUPLED
S TRAP TOILET SUITE**

WELS 4 star rated,
4.5/3L (3.5L avg/flush)

S Trap Bottom Inlet* 844710W

S Trap Back Entry* 844730W



**LUNA WALL FACED
TOILET SUITE**

WELS 4 star rated,
4.5/3L (3.5L avg/flush)

Back Entry* 829720W



Accessories

Our Luna range of accessories bring the finishing touch to your bathroom. The range of towel rails, hooks, shelves and toilet roll holders will complement the rest of your choices from the Luna collection.



CHROME



SATIN
BLACK



BRUSHED
NICKEL



BRUSHED
BRASS



ELECTROPLATED
WARRANTY



BRASS



COMPLEMENTARY
DESIGN

**LUNA DOUBLE
TOWEL RAIL 930MM**

- Chrome
99615C
- Satin Black
99615BL
- Brushed Brass
99615BB
- Brushed Nickel
99615BN



**LUNA DOUBLE
TOWEL RAIL 630MM**

- Chrome
99615C
- Satin Black
99615BL
- Brushed Brass
99615BB
- Brushed Nickel
99615BN



LUNA HAND TOWEL RAIL

- Chrome
99611C
- Satin Black
99611BL
- Brushed Brass
99611BB
- Brushed Nickel
99611BN



LUNA METAL SHELF

- Chrome
99610C
- Satin Black
99610BL
- Brushed Brass
99610BB
- Brushed Nickel
99610BN





**LUNA SINGLE
TOWEL RAIL 930MM**

- Chrome
99613C
- Satin Black
99613BL
- Brushed Nickel
99613BN



**LUNA SINGLE
TOWEL RAIL 630MM**

- Chrome
99612C
- Satin Black
99612BL
- Brushed Nickel
99612BN



LUNA ROBE HOOK

- Chrome
99608C
- Satin Black
99608BL
- Brushed Brass
99608BB
- Brushed Nickel
99608BN



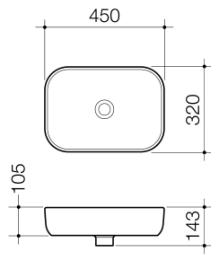
**LUNA TOILET ROLL
HOLDER**

- Chrome
99607C
- Satin Black
99607BL
- Brushed Brass
99607BB
- Brushed Nickel
99607BN



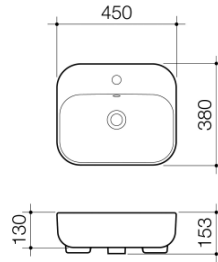
Product Specifications

BASINS



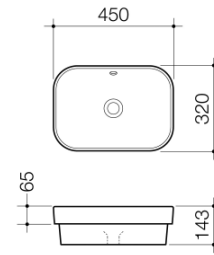
LUNA ABOVE COUNTER BASIN

0 taphole
899000W



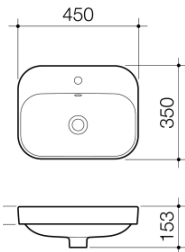
LUNA SEMI RECESSED BASIN

1 taphole
873615W
0 taphole
873605W
0 taphole
(without tap landing)
873500W



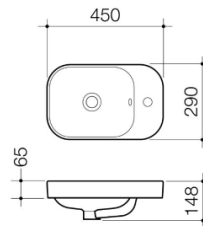
LUNA INSET BASIN WITHOUT TAP LANDING

0 taphole
899105W



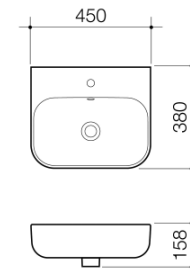
LUNA INSET BASIN

1 taphole
899215W
3 taphole
899235W
0 taphole
899205W



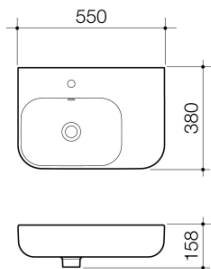
LUNA UNIVERSAL INSET BASIN

1 taphole
899615W



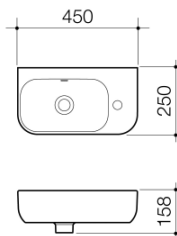
LUNA WALL BASIN

1 taphole
874215W
3 taphole
874235W
0 taphole
874205W



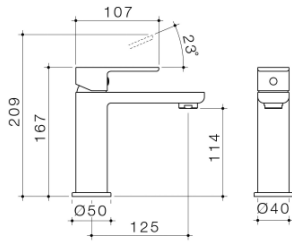
LUNA SHELF WALL BASIN

1 taphole
873915W
3 taphole
(right hand shelf)
873935W
0 taphole
873905W



LUNA HAND WALL BASIN

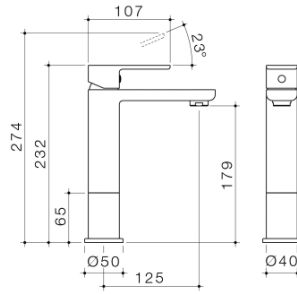
1 taphole
873715W
0 taphole
873705W



LUNA BASIN MIXER

Chrome	Brushed Nickel
68181C6A	68181BN6A
Satin Black	Brushed Brass
68181BL6A	68181BB6A

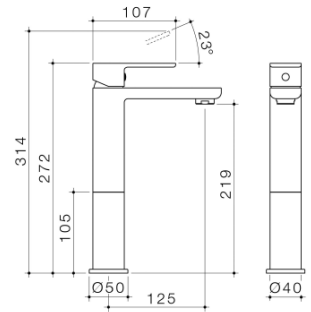
WELS 6 star rated, 4.5L/min



LUNA MID BASIN MIXER

Chrome
68182C6A
Satin Black
68182BL6A

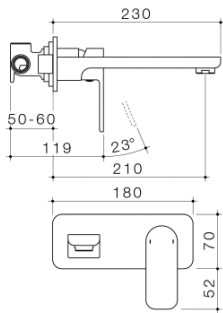
WELS 6 star rated, 4.5L/min



LUNA TOWER BASIN MIXER

Chrome	Brushed Nickel
68183C6A	68183BN6A
Satin Black	Brushed Brass
68183BL6A	68183BB6A

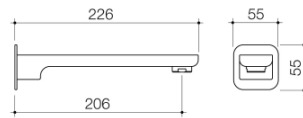
WELS 6 star rated, 4.5L/min



LUNA WALL BASIN/BATH MIXER

Chrome	Brushed Nickel
68186C6A	68186BN6A
Satin Black	Brushed Brass
68186BL6A	68186BB6A

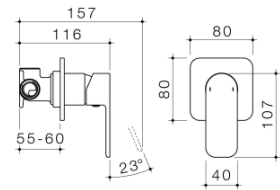
WELS 6 star rated, 4.5L/min



LUNA BASIN/BATH SPOUT

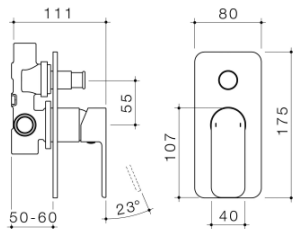
Chrome	Brushed Nickel
68187C6A	68187BN6A
Satin Black	Brushed Brass
68187BL6A	68187BB6A

WELS 6 star rated, 4.5L/min



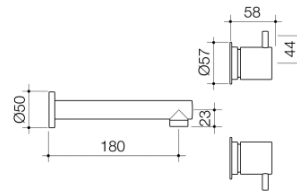
LUNA BATH/SHOWER MIXER

Chrome	Brushed Nickel
68184C	68184BN
Satin Black	Brushed Brass
68184BL	68184BB



LUNA BATH/SHOWER MIXER WITH DIVERTER

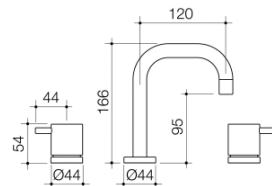
Chrome	Brushed Nickel
68185C	68185BN
Satin Black	Brushed Brass
68185BL	68185BB



LUNA LEVER WALL BASIN SET

Chrome
90333C5A
Satin Black
90333BL5A

WELS 5 star rated, 6L/min



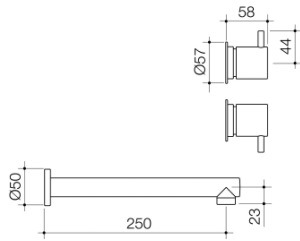
LUNA LEVER BASIN SET

Chrome
90334C5A
Satin Black
90334BL5A

WELS 5 star rated, 6L/min

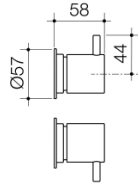
Product Specifications

TAPWARE continued



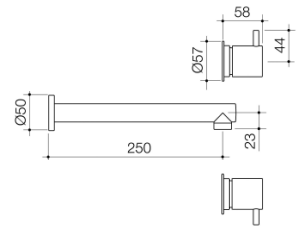
LUNA LEVER BATH SET

Chrome
90331C
Satin Black
90331BL



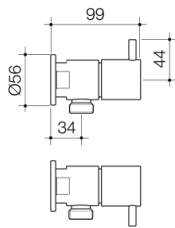
LUNA LEVER WALL TOP ASSEMBLIES

Chrome
90332C
Satin Black
90332BL



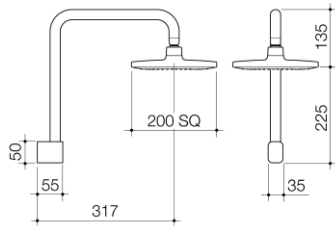
LUNA LEVER LAUNDRY SET

Chrome
90331C4A
Satin Black
90331BL4A
WELS 4 star rated, 7.5L/min



LUNA LEVER WASHING MACHINE SET

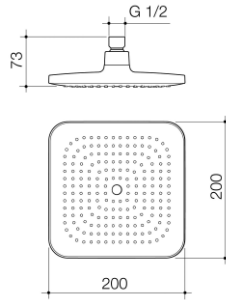
Chrome
90336C
Satin Black
90336BL



LUNA FIXED OVERHEAD SHOWER

Chrome 90391C4E	Brushed Brass 90391BB4E
Satin Black 90391BL4E	Brushed Nickel 90391BN4E

WELS 4 star rated, 7.5L/min



LUNA OVERHEAD SHOWER HEAD

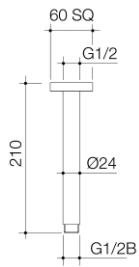
Chrome 90386C4E	Brushed Brass 90386BB4E
Satin Black 90386BL4E	Brushed Nickel 90386BN4E

WELS 4 star rated, 7.5L/min



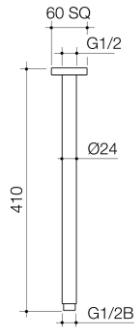
LUNA RIGHT ANGLE SHOWER ARM

Chrome 90390C	Brushed Brass 90390BB
Satin Black 90390BL	Brushed Nickel 90390BN



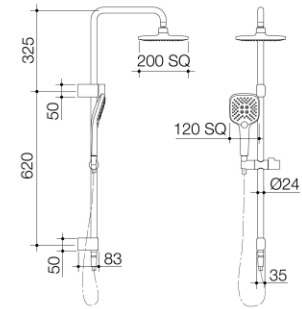
LUNA STRAIGHT ARM FLANGE 210MM

Chrome 90388C	Brushed Brass 90388BB
Satin Black 90388BL	Brushed Nickel 90388BN



LUNA STRAIGHT ARM FLANGE 410MM

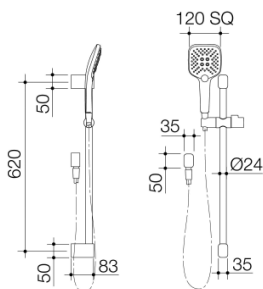
Chrome 90389C	Brushed Brass 90389BB
Satin Black 90389BL	Brushed Nickel 90389BN



LUNA OVERHEAD SHOWER SYSTEM ON RAIL

Chrome 90383C4E	Brushed Brass 90383BB4E
Satin Black 90383BL4E	Brushed Nickel 90383BN4E

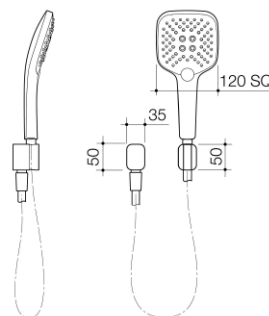
WELS (Overhead) 4 star rated, 7.5L/min + WELS (Hand) 5 star rated, 6.0L/min



LUNA MULTI-FUNCTION RAIL SHOWER

Chrome 90384C4F	Brushed Brass 90384BB4F
Satin Black 90384BL4F	Brushed Nickel 90384BN4F

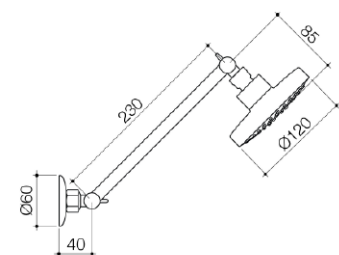
WELS 5 star rated, 6L/min



LUNA MULTI-FUNCTION HAND SHOWER

Chrome 90385C4F	Brushed Brass 90385BB4F
Satin Black 90385BL4F	Brushed Nickel 90385BN4F

WELS 5 star rated, 6L/min

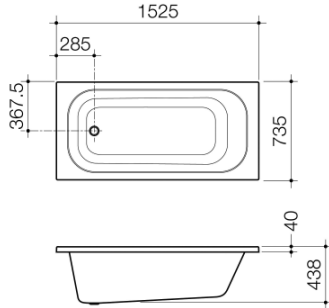


LUNA ADJUSTABLE SHOWER AND ARM

Chrome 90304C3A
Satin Black 90304BL3A

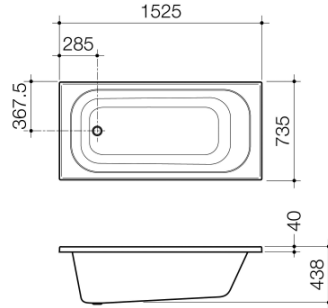
Product Specifications

BATHS



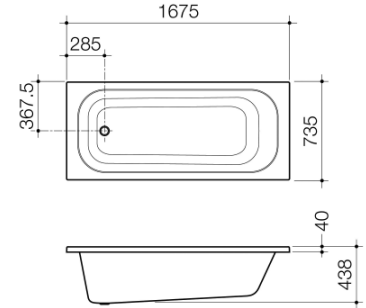
**LUNA 1525
ISLAND BATH**

LU5ISW



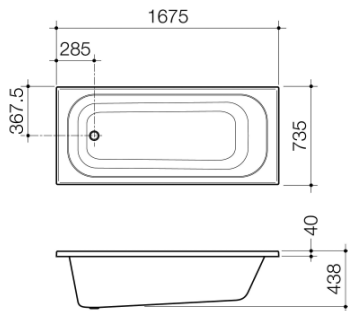
**LUNA 1525
FOUR TILE FLANGE BATH**

LU5W



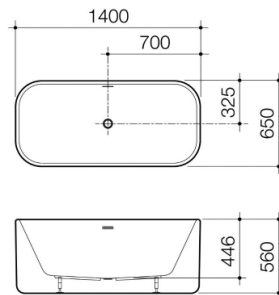
**LUNA 1675
ISLAND BATH**

LU7ISW



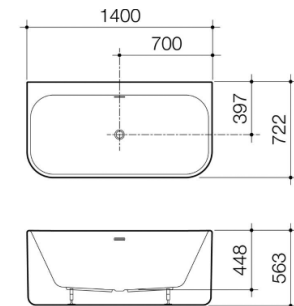
**LUNA 1675
BATH**

LU7W



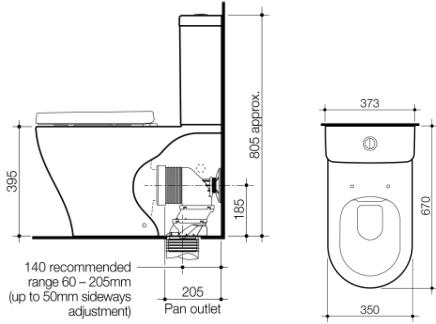
**LUNA 1400
FREESTANDING BATH**

LU4FSW



**LUNA 1400
BACK TO WALL BATH**

LU4FWW

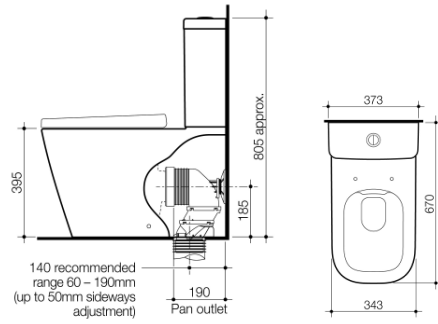


LUNA CLEANFLUSH® WALL FACED TOILET SUITE

WELS 4 star rated, 4.5/3L (3.5L avg/flush)

Bottom Inlet* 844810W

Back Entry* 844820W

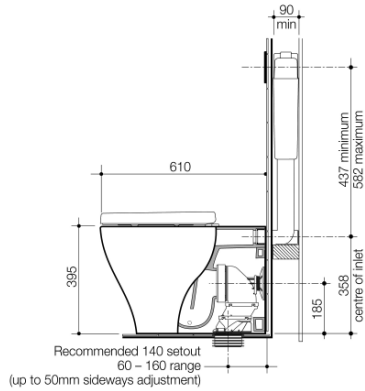


LUNA SQUARE CLEANFLUSH® WALL FACED TOILET SUITE

WELS 4 star rated, 4.5/3L (3.5L avg/flush)

Bottom Inlet* 846410W

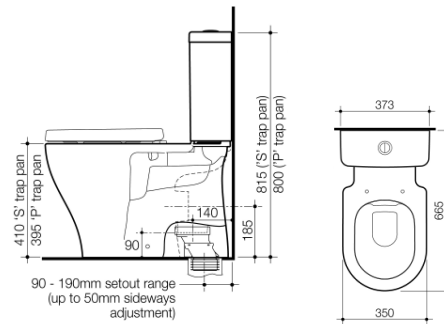
Back Entry* 846420W



LUNA CLEANFLUSH® WALL FACED INVISI SERIES II® TOILET SUITE

WELS 4 star rated, 4.5/3L (3.5L avg/flush)

Back Entry* 844910W

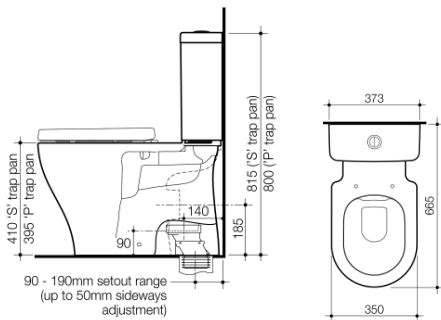


LUNA CLEANFLUSH® CLOSE COUPLED P TRAP TOILET SUITE

WELS 4 star rated, 4.5/3L (3.5L avg/flush)

P Trap Bottom Inlet* 844720W

P Trap Back Entry* 844740W

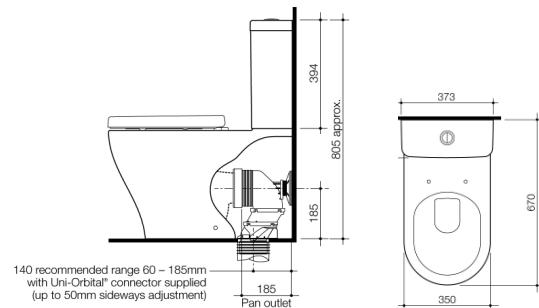


LUNA CLEANFLUSH® CLOSE COUPLED S TRAP TOILET SUITE

WELS 4 star rated, 4.5/3L (3.5L avg/flush)

S Trap Bottom Inlet* 844710W

S Trap Back Entry* 844730W



LUNA WALL FACED TOILET SUITE

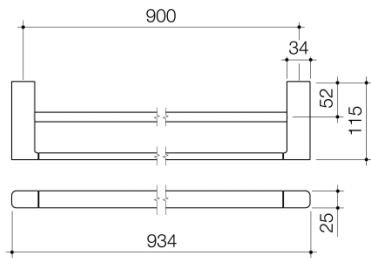
WELS 4 star rated, 4.5/3L (3.5L avg/flush)

Bottom Inlet* 829710W

Back Entry* 829720W

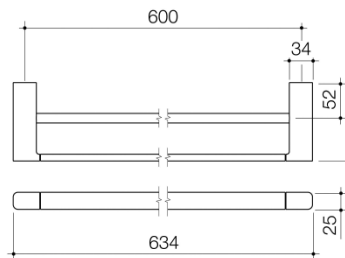
Product Specifications

ACCESSORIES



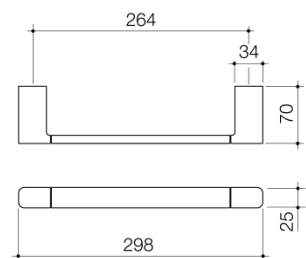
LUNA DOUBLE TOWEL RAIL 930MM

Chrome 99615C	Brushed Brass 99615BB
Satin Black 99615BL	Brushed Nickel 99615BN



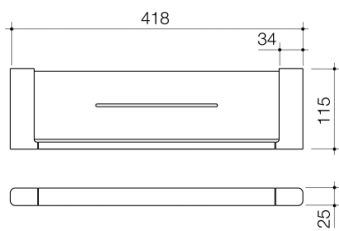
LUNA DOUBLE TOWEL RAIL 630MM

Chrome 99615C	Brushed Brass 99615BB
Satin Black 99615BL	Brushed Nickel 99615BN



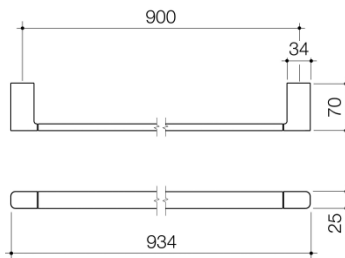
LUNA HAND TOWEL RAIL

Chrome 99611C	Brushed Brass 99611BB
Satin Black 99611BL	Brushed Nickel 99611BN



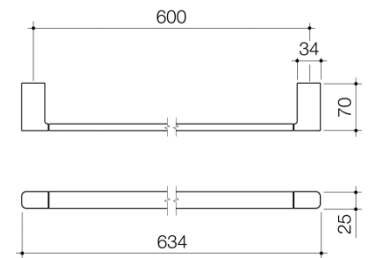
LUNA METAL SHELF

Chrome 99610C	Brushed Brass 99610BB
Satin Black 99610BL	Brushed Nickel 99610BN



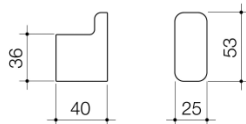
LUNA SINGLE TOWEL RAIL 930MM

Chrome 99613C	Brushed Nickel 99613BN
Satin Black 99613BL	



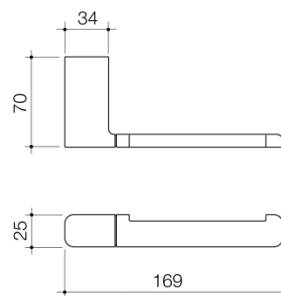
LUNA SINGLE TOWEL RAIL 630MM

Chrome 99612C	Brushed Nickel 99612BN
Satin Black 99612BL	



LUNA ROBE HOOK

Chrome 99608C	Brushed Brass 99608BB
Satin Black 99608BL	Brushed Nickel 99608BN



LUNA TOILET ROLL HOLDER

Chrome 99607C	Brushed Brass 99607BB
Satin Black 99607BL	Brushed Nickel 99607BN

Notes

CAROMA INDUSTRIES LIMITED

A subsidiary of GWA Group Ltd

Australia

Level 24, 100 Mount Street
North Sydney NSW

13 14 16
Caroma.com.au

New Zealand

41 Jomac Place Avondale, 0800 804 222
Auckland 1026 Private Bag 19996 Caroma.co.nz



EXPLORE AT
specify.caroma.com.au

SUPPORT
caroma.com.au
caroma.co.nz

CALL US
Call Caroma to speak to
one of our Professionals

CAROMA
Made For Life